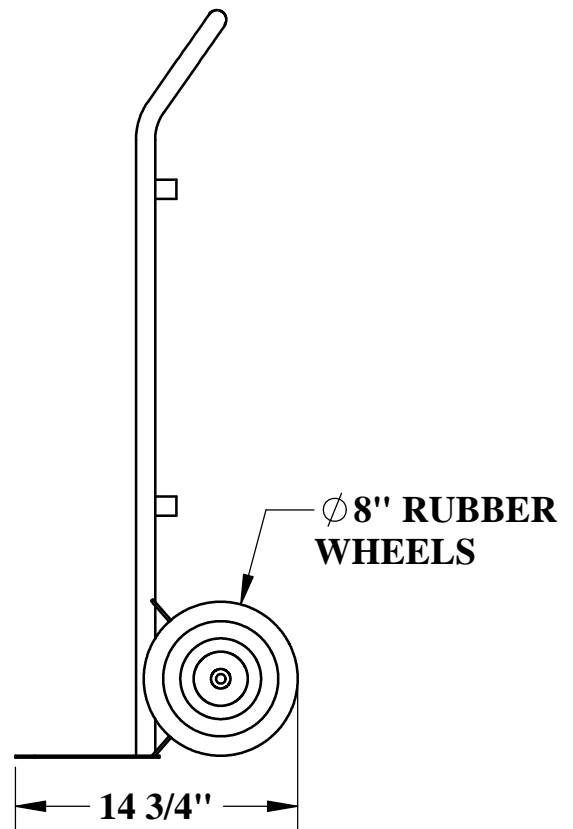
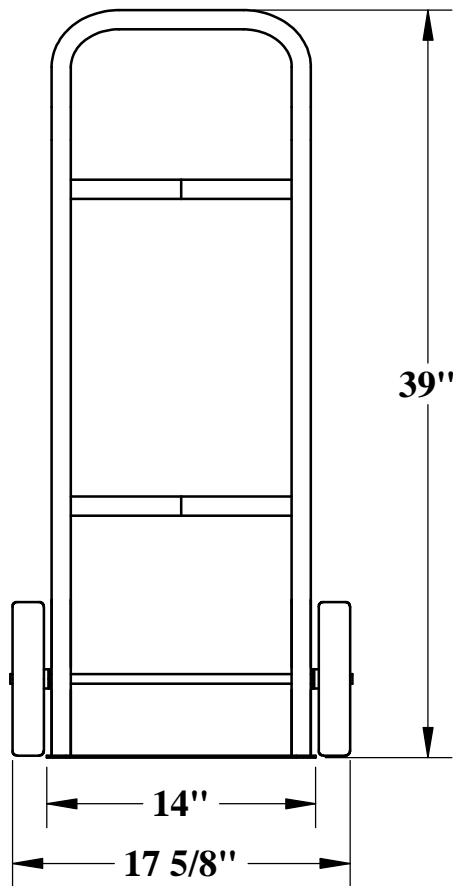


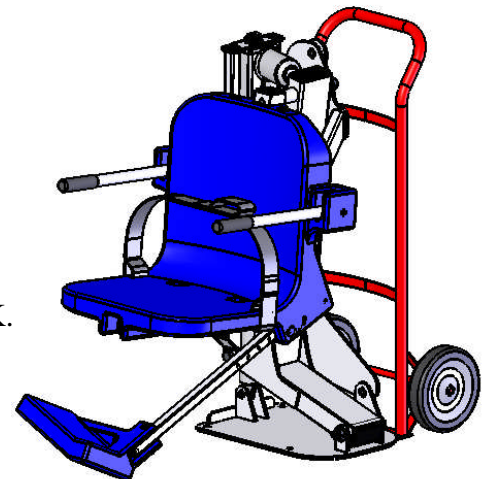
PRO POOL TRANSPORT CART



SPECIFICATIONS:

THE AQUA CREEK PRO POOL TRANSPORT CART SHALL BE AN ALL STEEL FRAME, POWDER COATED CART WITH 8" RUBBER WHEELS. A 1" POLYESTER STRAP WITH HOOK ENDS SHALL BE INCLUDED TO SECURE THE LIFT TO THE CART. THE LIFT AND CART SHALL BE STORABLE TOGETHER, ALLOWING FOR EASY TRANSPORT TO/FROM THE POOL DECK.

CART FRAME: POLYESTER POWDER COATED STEEL
 WHEELS: 8" X 1-1/2" RUBBER WITH STEEL HUB
 STRAP: 1" X 10' POLYESTER W/HOOKS
 WARRANTY: 1 YEAR LIMITED



NOTE: CART TO BE USED ON ALL PRO POOL AND RANGER LIFTS **EXCEPT** FOR THE PRO POOL-XR.



Aqua Creek Products
 The Total Solution for Pool and Spa Access

9889 GARRYMORE LANE
 MISSOULA, MT 59808
 (406) 549-0769
 FAX (406) 549-2602

NOTE:
 *SPECIFICATIONS ARE SUBJECT TO CHANGE WITHOUT NOTICE
 *ALL DIMENSIONS ARE IN INCHES

PRODUCT:	F-428HT	
DWG #:	F-428HT-1	
SCALE:	1:10	DATE: 4/17/14
DRAWN BY:	KR	REVISION: B