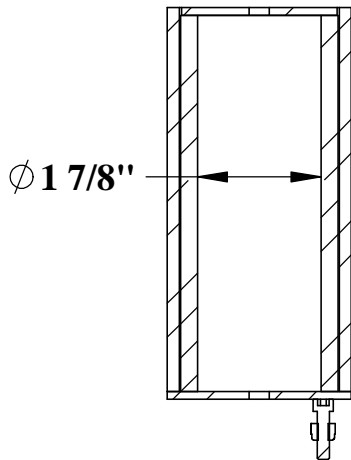
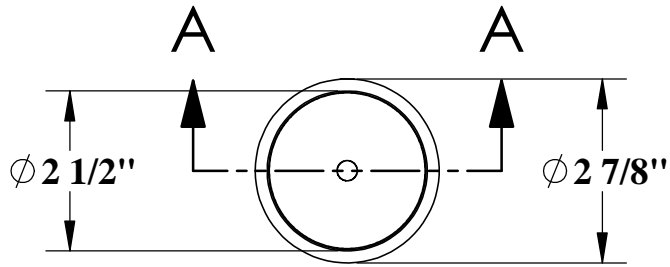
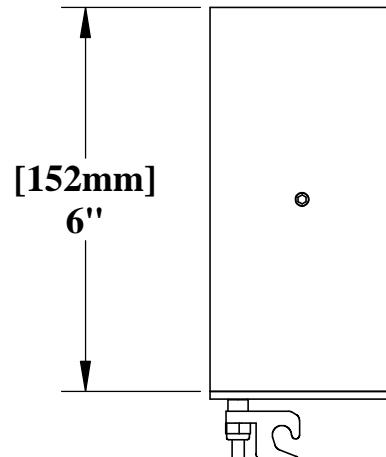


# EZ & PEZ ANCHOR SPEC



SECTION A-A



GROUNDING LUG

## SPECIFICATIONS

**RATED CAPACITY: 400 LBS (181kg)**  
**MAXIMUM SETBACK: 20" (508mm)**



9889 GARRYMORE LANE  
 MISSOULA, MT 59808  
 (406) 549-0769  
 FAX (406) 549-2602

NOTE:  
 \*SPECIFICATIONS ARE SUBJECT TO CHANGE WITHOUT NOTICE

PRODUCT:	<b>F-033EZA</b>	
DWG #:	<b>F-033EZA-1</b>	
SCALE:	<b>1:3</b>	DATE: <b>6/27/14</b>
DRAWN BY:	<b>KR</b>	REVISION: <b>B</b>