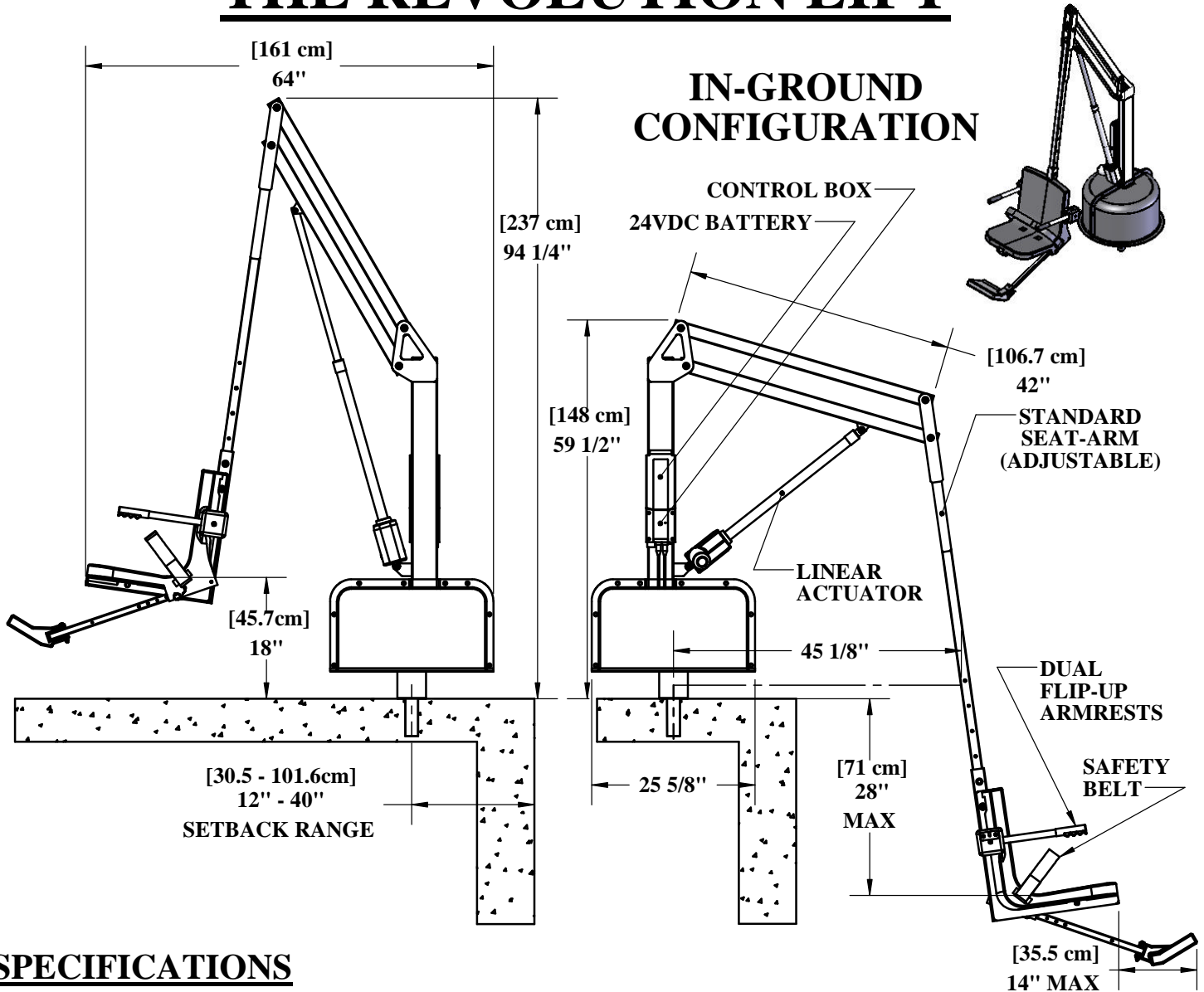


THE REVOLUTION LIFT™

IN-GROUND CONFIGURATION



SPECIFICATIONS

THE AQUA CREEK REVOLUTION LIFT SHALL BE A 24 VDC BATTERY POWERED SPA OR POOL LIFT. THE LIFT SHALL BE OF STAINLESS STEEL CONSTRUCTION WITH A LIFTING CAPACITY OF 500 LBS [227 kg]. THE LIFT SHALL HAVE AN OPERATING RANGE OF 46" [117 cm] AND HAVE AN ADJUSTABLE SEAT ARM TO ALLOW FOR IN-GROUND OR ABOVE-GROUND OPERATION. THE REVOLUTION LIFT CAN BE SETBACK UP TO 40" [102 cm] FROM THE POOL EDGE WITH UNLIMITED 360° OF POWERED ROTATION. THE UNIT SHALL INCLUDE AN 8" [20.3 cm] DEEP ANCHOR WITH AN ANTI-TAMPER LID. STANDARD EQUIPMENT SHALL INCLUDE A SAFETY BELT, A FLIP-UP FOOTREST AND AN 18" [45.7 cm] WIDE SEAT WITH DUAL FLIP-UP ARMRESTS. A LIMITED LIFETIME WARRANTY IS STANDARD.

MAST: 2" X 4" X .120" [5.1 X 10.2 X .31 cm] TYPE 304 STAINLESS STEEL TUBE
 BOOM: 2" X 2" X .120" [5.1 X 5.1 X .31 cm] TYPE 304 STAINLESS STEEL TUBE
 LINEAR ACTUATOR: LINAK LA-34
 ROTARY ACTUATOR: 24VDC ROTARY MOTOR
 FINISH: UV RESISTANT EPOXY POWDER COATING

ACCESSORIES:

ANCHOR: PART NUMBER F-710RLA
 COVER: PART NUMBER F-720RLC

Inspected And Verified To Meet
 Applicable Sections of ADA
 Guidelines Section 1009.2 By

wyle
 laboratories

A Nationally Recognized
 Test Laboratory

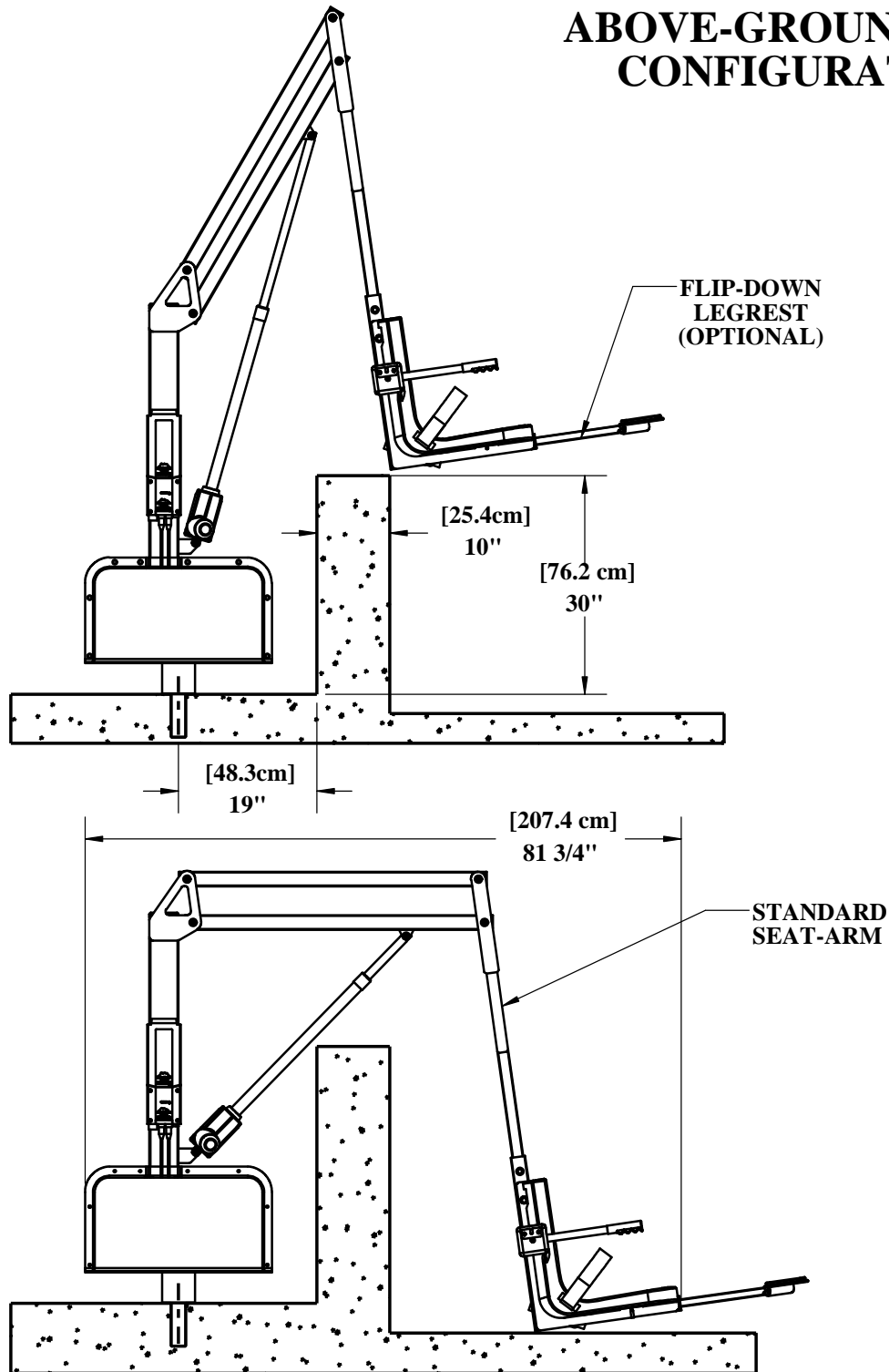
9889 GARRYMORE LANE
 MISSOULA, MT 59808
 (406) 549-0769
 FAX (406) 549-2602

NOTE:
 *SPECIFICATIONS ARE SUBJECT TO CHANGE WITHOUT NOTICE
 *ALL DIMENSIONS ARE IN INCHES

PRODUCT:	F-700RL	
DWG #:	F-700RL-1	
SCALE:	1:24	DATE: 2/3/11
DRAWN BY:	DS	REVISION: L

Aqua Creek Products
 The Total Solution for Pool and Spa Access

ABOVE-GROUND (SPA) CONFIGURATION



WITH THE SEAT MOUNTED AT ITS HIGHEST POSITION THE REVOLUTION LIFT WILL CLEAR A 30" [76 cm] HIGH BY 10" [25.4cm] THICK WALL. THE SETBACK DISTANCE FOR THIS SITUATION IS 21" [53.3cm]. FOR OTHER APPLICATIONS AN OPTIONAL SPA SEAT-ARM IS AVAILABLE, MAKING IT POSSIBLE FOR THE REVOLUTION LIFT TO CLEAR UP TO A 48" [121.9cm] HIGH WALL. AN OPTIONAL FLIP-DOWN LEGREST IS ALSO AVAILABLE FOR ABOVE-GROUND APPLICATIONS (SHOWN).

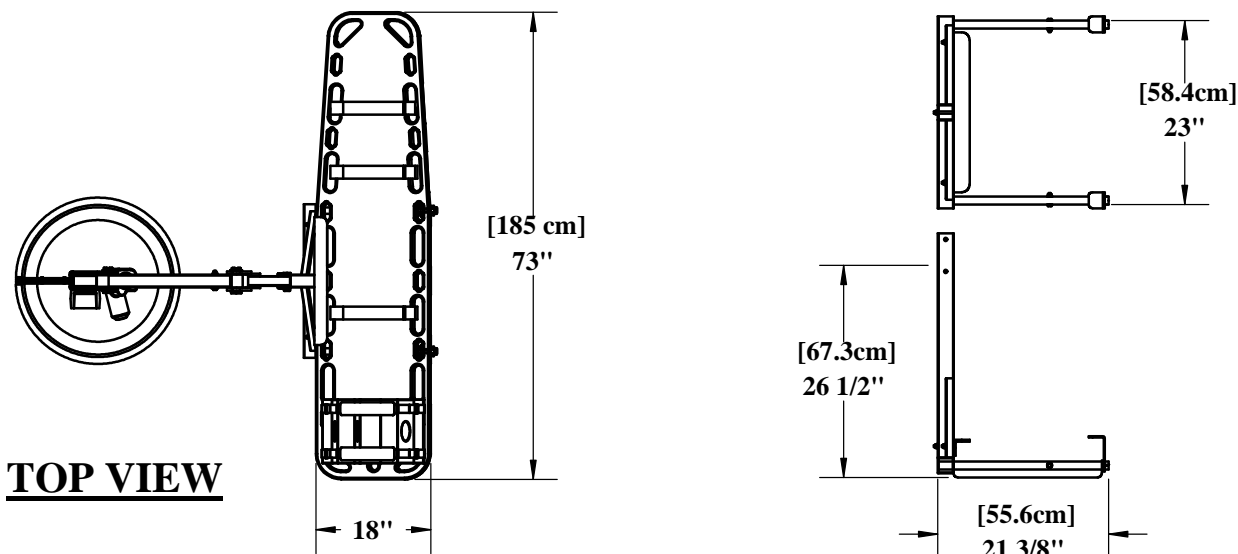


9889 GARRYMORE LANE
MISSOULA, MT 59808
(406) 549-0769
FAX (406) 549-2602

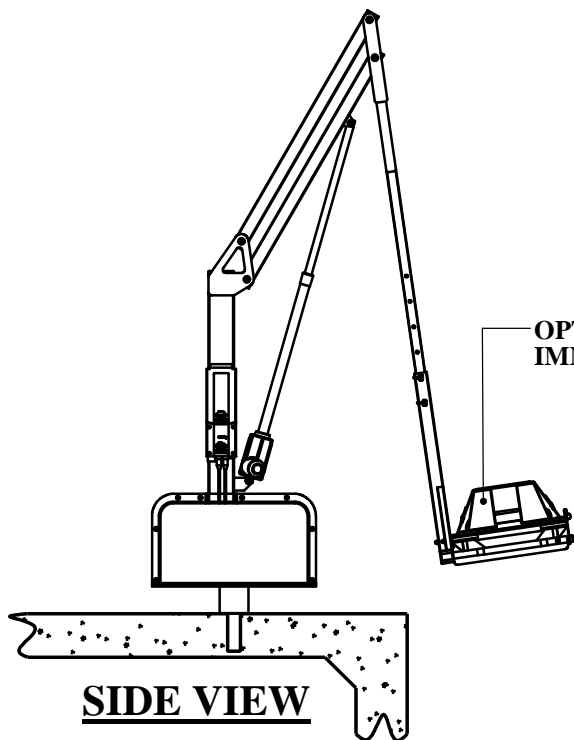
NOTE:
*SPECIFICATIONS ARE SUBJECT TO CHANGE WITHOUT NOTICE
*ALL DIMENSIONS ARE IN INCHES

PRODUCT:	F-700RL	
DWG #:	F-700RL-2	
SCALE:	1:24	DATE: 2/3/11
DRAWN BY:	DS	REVISION: L

REVOLUTION LIFT WITH OPTIONAL SPINEBOARD ATTACHMENT

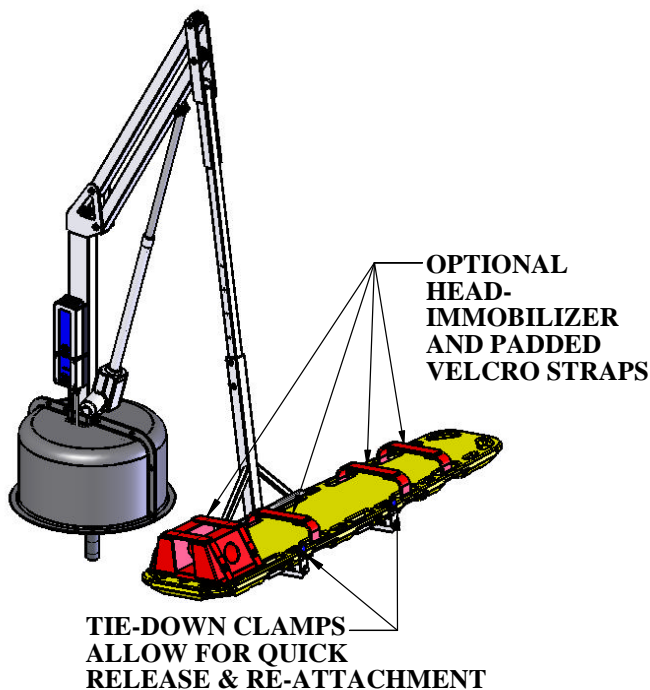


TOP VIEW



SIDE VIEW

OPTIONAL HEAD-IMMOBILIZER



OPTIONAL HEAD-IMMOBILIZER AND PADDED VELCRO STRAPS

TIE-DOWN CLAMPS ALLOW FOR QUICK RELEASE & RE-ATTACHMENT

THE REVOLUTION LIFT CAN BE PURCHASED WITH AN OPTIONAL SPINEBOARD ATTACHMENT (WITH SPINEBOARD) FOR ADDITIONAL FUNCTIONALITY. THE SPINEBOARD ATTACHMENT WILL WORK IN BOTH ABOVE-GROUND AND IN-GROUND CONFIGURATIONS, AND WILL ALSO CLEAR A 34" [86.4cm] SPA WALL WITH THE STANDARD SEAT-ARM. WITH THE OPTIONAL SPA SEAT-ARM THE SPINEBOARD ATTACHMENT WILL CLEAR A 48" [122cm] WALL. THE SPINEBOARD MEASURES 73" [185.4cm] LONG BY 18-1/4" [46.4cm] WIDE BY 2-1/2" [6.4cm] THICK, AND IS MADE OF ROTATIONALLY MOLDED LLDPE. THE ATTACHMENT IS MADE OF TYPE 304 STAINLESS STEEL, AND IS EPOXY POWDER COATED.

FOR ADDITIONAL SAFETY AND FUNCTIONALITY, A HEAD IMMOBILIZER & PADDED VELCRO STRAP KIT IS AVAILABLE AS AN OPTION TO THE SPINEBOARD ATTACHMENT. THE KIT COMES WITH A THICK-FOAM HEAD IMMOBILIZER AND THREE (3) PADDED VELCRO STRAPS.

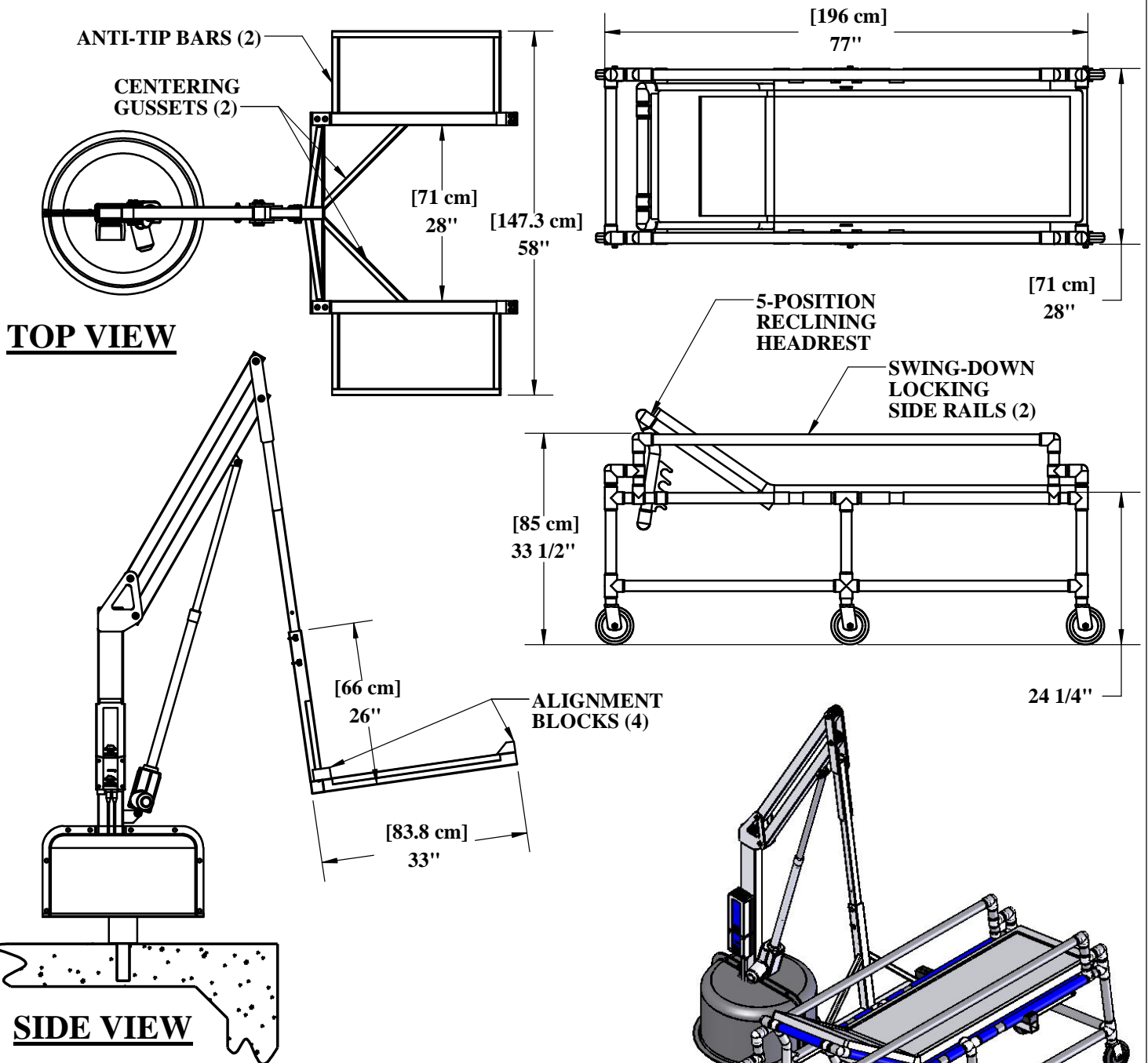


9889 GARRYMORE LANE
 MISSOULA, MT 59808
 (406) 549-0769
 FAX (406) 549-2602

NOTE:
 *SPECIFICATIONS ARE SUBJECT TO CHANGE WITHOUT NOTICE
 *ALL DIMENSIONS ARE IN INCHES

PRODUCT:	F-700RL & F-740SBA	
DWG #:	F-700RL-3	
SCALE:	1:30	DATE: 2/3/11
DRAWN BY:	DS	REVISION: L

REVOLUTION LIFT WITH OPTIONAL STRETCHER/GURNEY ATTACHMENT



THE REVOLUTION LIFT IS ALSO AVAILABLE WITH AN OPTIONAL STRETCHER/GURNEY ATTACHMENT FOR ADITIONAL VERSATILITY. THE STRETCHER/GURNEY ATTACHMENT IS MADE OF TYPE 304 STAINLESS STEEL, AND IS EPOXY POWDER COATED. IT HAS BEEN DESIGNED WITH ANTI-TIP BARS, AUTO-CENTERING GUSSETS AND ALIGNMENT BLOCKS FOR WORRY-FREE, SAFE OPERATION. A PVC GURNEY IS INCLUDED, AND IS MADE ENTIRELY OF POOL/SPA FRIENDLY MATERIALS INCLUDING; FURNITURE-GRADE PVC FRAME, STAINLESS STEEL HARDWARE, MILDEW-RESISTANT BED MATERIAL AND SIX (6) 6" [15 cm] STAINLESS STEEL CASTERS WITH SOLID WHEELS.

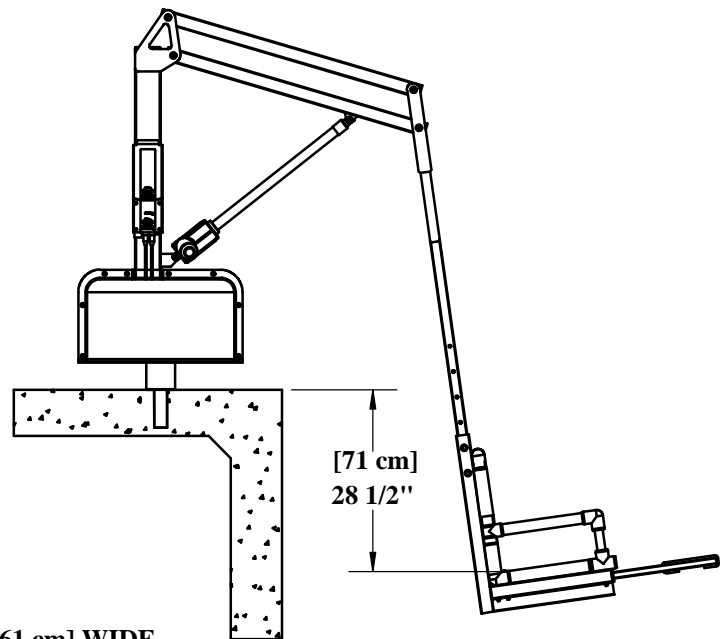
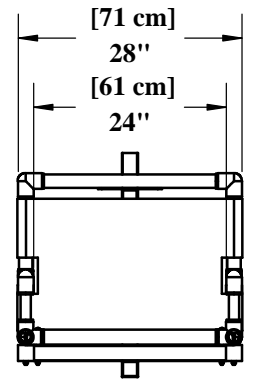
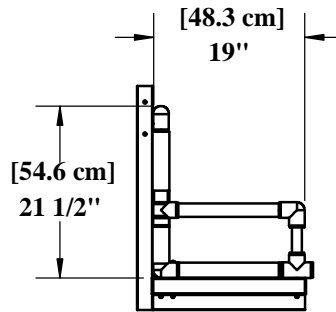
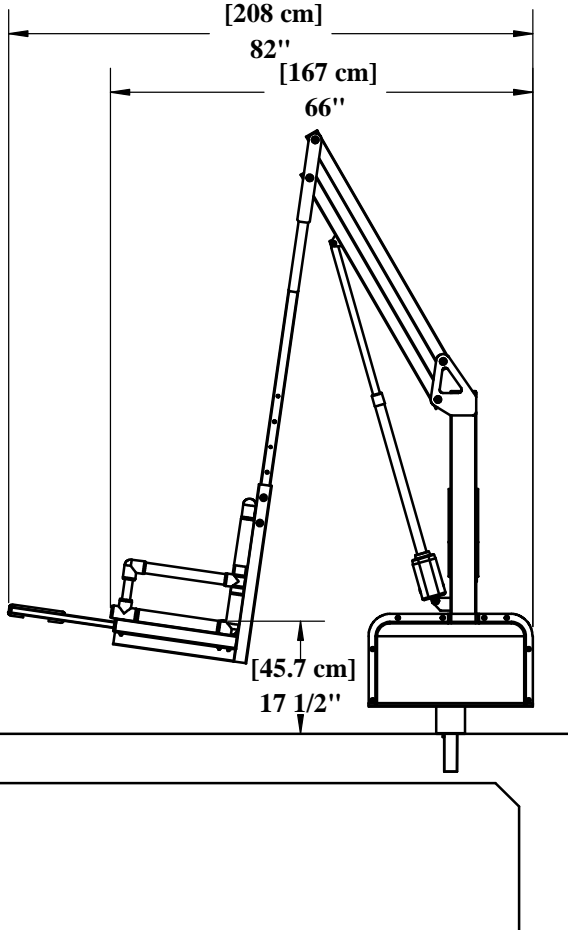
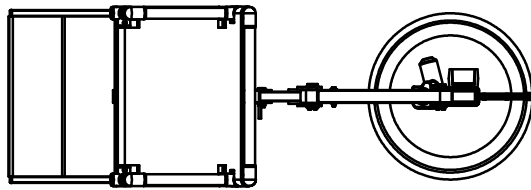
THE PVC GURNEY ALSO HAS DUAL SWING-DOWN SIDE RAILS, A 5-POSITION RECLINING HEADREST, AND A WATERPROOF FOAM PAD (SEALED WITH VINYL COATING WHICH IS EASILY DISINFECTED).

9889 GARRYMORE LANE
 MISSOULA, MT 59808
 (406) 549-0769
 FAX (406) 549-2602

NOTE:
 *SPECIFICATIONS ARE SUBJECT TO CHANGE WITHOUT NOTICE
 *ALL DIMENSIONS ARE IN INCHES

PRODUCT:	F-700RL & F-730RSA	
DWG #:	F-700RL-4	
SCALE:	1:24	DATE: 2/3/11
DRAWN BY:	DS	REVISION: L

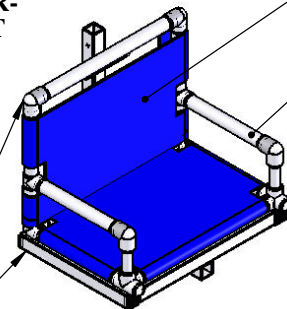
REVOLUTION LIFT WITH OPTIONAL 24" WIDE SEAT & LEGREST



THE REVOLUTION LIFT IS AVAILABLE WITH A 24" [61 cm] WIDE SEAT. THE WIDE SEAT IS CONSTRUCTED WITH A PVC SEAT-FRAME AND A STAINLESS STEEL SUPPORT FRAME WITH EPOXY POWDER-COATED FINISH FOR ADDED CORROSION RESISTANCE. THE SEAT FEATURES DUAL SWING-OUT ARMRESTS AND A PADDED PULL-OUT LEGREST FOR OPTIMAL COMFORT AND FUNCTIONALITY.

PVC SEAT FRAME

STAINLESS-STEEL SUPPORT FRAME



MESH SEAT AND BACK

DUAL SWING-OUT ARMRESTS



9889 GARRYMORE LANE
MISSOULA, MT 59808
(406) 549-0769
FAX (406) 549-2602

NOTE:
*SPECIFICATIONS ARE SUBJECT TO CHANGE WITHOUT NOTICE
*ALL DIMENSIONS ARE IN INCHES

PRODUCT:	F-700RL	
DWG #:	F-700RL-5	
SCALE:	1:24	DATE: 2/3/11
DRAWN BY:	DS	REVISION: L