

FX | LUMINAIRE®
MP-20



METALLOPESANTE® | FX LUMINAIRE®

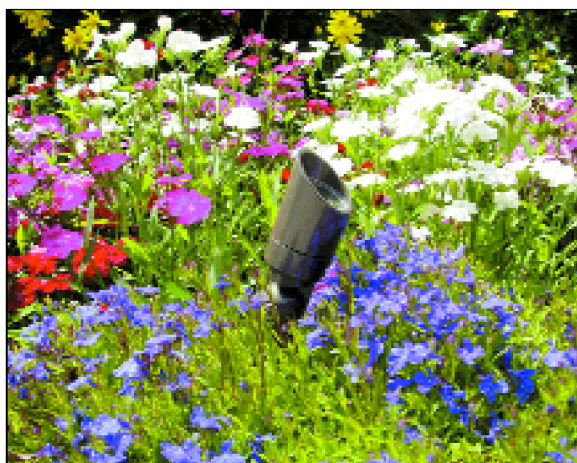
**SMALL PACKAGE,
TOUGH ATTITUDE**

The MetalloPesante® (HeavyMetal) is constructed without compromise using aerospace grade alloys and silicone seals. This smaller version of our other uplights expands our line of luminaires, allowing the lighting designer to find an FX solution to most exterior lighting tasks.

This super small luminaire is an excellent choice for illuminating small garden elements such as shrubs, boulders and cactus.

The MP also has room for one lens insert. Choose from frosted for maximum diffusion or a color lens such as the peach or blue to shift color tones to enhance your desired effect.

Compare our uplights with any other and you will see whose quality of materials, precision of fit and consistency of finishing stands out above the rest.

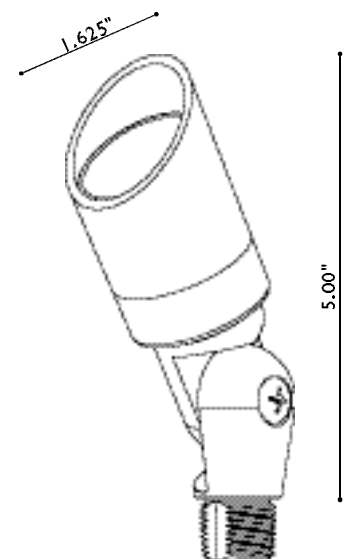


THE FINEST MATERIALS

All FX Luminaire® diecast components are made in-house using the latest in computer assisted mold process control. We also use the very finest aerospace alloys to prevent premature product failure caused by corrosion.

All cast components are hand buffed before powdercoat to ensure a smooth lustrous finish. When your client's needs dictate the lowest maintenance, highest performance components, specify FX Luminaire®.

Note: This fixture is designed for uplighting only.



UPLIGHTING SHRUBS



ARCHITECTURAL ACCENTS



SHADOWING



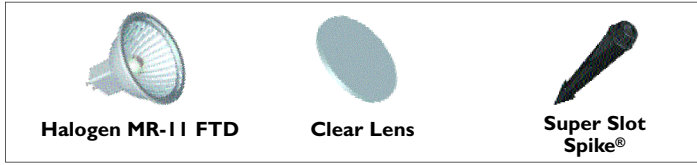
EFFECTS



METALLOPESANTE® – ORDERING INFORMATION

MP comes standard with a 20 watt Halogen MR-11 FTD lamp, Clear Lens, Super Slot Spike®, and any finish.

STANDARD PARTS:



ORDERING SAMPLE:

SECTIONS:	DESCRIPTION:	WHAT TO ORDER:
1 + 2 + 3	+ +	= MP-20-BZ
A, B and/or C	HexBaffle®	= HB
	CapannaDiNoce®	= CDS

STANDARD OPTIONS:

1 + 2 + 3 ORDERED TOGETHER ON SAME LINE

AVAILABLE LAMP CONFIGURATIONS:

Choose from any watt Halogen (H).

FIXTURE/CODE	WATTAGE/CODE	DESCRIPTION
1 MP 	2 HALOGEN (H) LAMP OPTIONS:	
	20H	20 watt Halogen, wide 36° beam Avg. life 2000 hours

FINISH OPTIONS:

Choose from the following options. All have regular lead times.

	CODE	DESCRIPTION
	3 BZ	Bronze Metallic
	DG	Desert Granite
	BF	Black Wrinkle
	VF	Verde Speckle
	SB	Sedona Brown
	WF	White Wrinkle
	WI	Weathered Iron

NON-STANDARD OPTIONS:

A AND B, MUST BE ORDERED ON SEPARATE LINE!

ADDITIONAL GLARE CONTROL OPTIONS:

Does not come pre-assembled with glare control, they will arrive in separate box.

	CODE	DESCRIPTION
	A HB - MP	HexBaffle®

ADDITIONAL LENS OPTIONS:

Comes pre-assembled with a clear lens. All others will arrive in separate box.

	CODE	DESCRIPTION
	B FL-2	Frosted Lens
	CF-5	Peach Lens
	CF-6	Blue Lens

ADDITIONAL MOUNTING OPTIONS:

Comes pre-assembled with Super Slot Spike®.

All other mounting options will arrive in separate box.

	CODE	DESCRIPTION	SIZE
	C CDS	CapannaDiNoce®	2.00" x 10.00"
	SJ	SuperJ-boX®	2.50" x 12.00"
	PM	PostMount®	2.50" x 13.00"