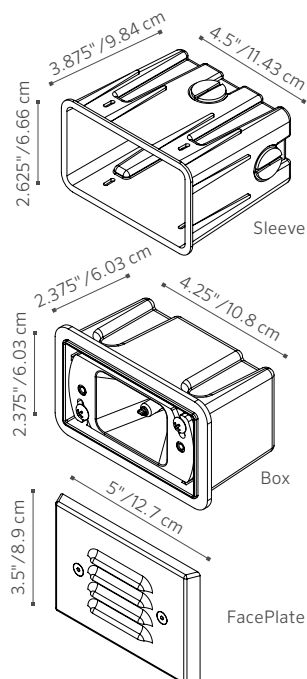


*The CP is engineered to bring LED efficiency to walkways, stairways, and decks. In addition, the CP can safely illuminate difficult areas and tight spaces that cannot accommodate traditional path lights or up lights.*

### CP: Wall Light

NUMBER OF LEDS:	1
HALOGEN LUMEN OUTPUT EQUIVALENT:	10 Watt
USEFUL LED LIFE (L70):	50,000 hrs avg
INPUT VOLTAGE:	10 to 15V
VA TOTAL: (Use this number to size the transformer)	2.4
WATTS USED:	2.0
LUMENS PER WATT (EFFICACY)	2.2
MAX LUMENS:	4
CCT (Ra)	79.9





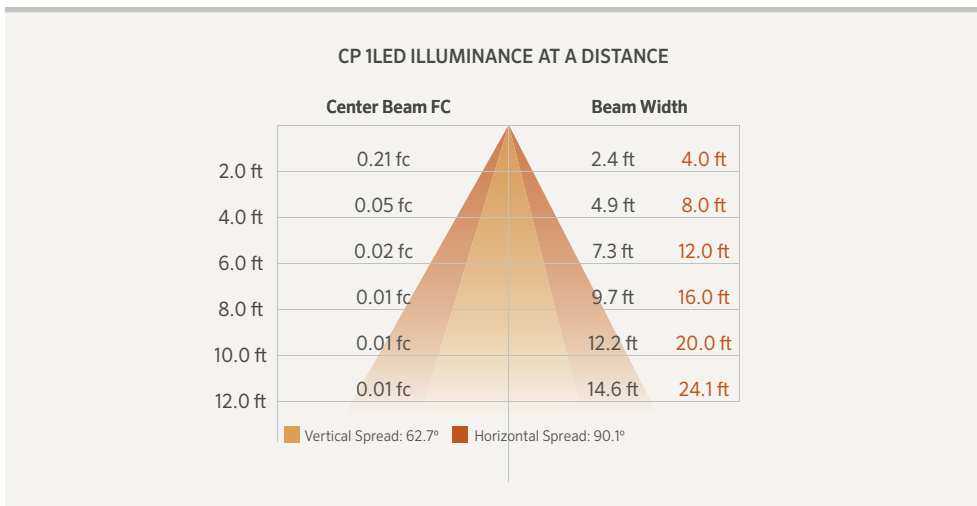
# CP: Wall Light

**FACTORY INSTALLED OPTIONS:** Order 1 + 2 (optional) + 3 + 4

Step	Description	Code
1	FIXTURE	CP
2	OPTIONAL ZD	ZD (Refer to the Luxor page in the Lighting Control section)
3	LAMP	1LED (50,000 avg. life hours)
4	FINISH	AB*, AT*, CU, NP*, WG, FW, AL, BZ, DG, WI, VF, SB, FB

**EXAMPLE:** CP-ZD-1LED-SB = CP - ZD Option - 1LED Board - Sedona Brown Finish

**PHOTOMETRICS:**



Beam angle is calculated using LM-79 method for SSL Luminaires:  
 "Beam angle is defined as two times the vertical angle at which the intensity is 50% of the maximum."

**MOUNTING FEATURES AND DIMENSIONS:**

**Perfectly Level Every Time**  
 The LevelX system allows the composite sleeve to be up to 3/8" out of level, in either direction, while still allowing the faceplate to be laser level.

The secret: The trim attaches to the adjustable reflector assembly - not the composite sleeve or body. Heavy foam gasket keeps light spill to a minimum.

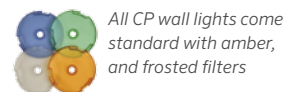
**METALS**

- AB** = Antique Bronze\* (On Copper)
- AT** = Antique Tumbled\* (On Copper)
- CU** = Copper
- NP** = Nickel Plate\*

**POWDER COAT**

- WG** = White Gloss
- FW** = Flat White
- AL** = Almond
- BZ** = Bronze Metallic
- DG** = Desert Granite
- WI** = Weathered Iron
- VF** = Verde Speckle
- SB** = Sedona Brown
- FB** = Flat Black

The CP includes a 1LED board, choice of faceplate finish, 8 ft lead wire and mounting sleeve.



\* May require longer lead time

