

# FX | LUMINAIRE® MU-20, MU-35, MU-50

UPLIGHTING &  
DOWNLIGHTING



THE MOST VERSATILE  
LIGHT AVAILABLE



MACCHIAULTIMO® | FX LUMINAIRE®

The patent pending MacchiaUltimo® is one of the most versatile spotlights on the market and is the perfect choice for the discriminating landscape designer. The MU can be mounted as an uplight or downlight and is the new standard for advanced users.

It offers several different filter and accessory options that allow the designer to shape, color shift, and control light output. A wide variety of effects can be produced by adding our patented RecessorRing®, HexBaffle® or one of our many filters, spread lens or glare control options.

This spotlight is engineered for the lighting designer who takes a "hands-on" approach to each project!

For more information, contact the factory and request the "MU catalog."

## MU STACK OPTIONS

**Stack A:** Ground Mounted  
**Configuration:**  
No Filters / No RecessorRings®

**Stack B:** Ground Mounted  
**Configuration:**  
1-2 Filters / No RecessorRings®

**Stack C:** Ground Mounted  
**Configuration:**  
HexBaffle®, 1 Filter / 1 or 2 RecessorRings®

**Stack D:** Ground Mounted  
**Configuration:**  
No Filters / 1 or 2 RecessorRings®

**Stack D:** Downlight Mounted  
**Configuration:**  
No Filters / 1 or 2 RecessorRings®

**Stack E:** Ground Mounted  
**Configuration:**  
RecessorRing® / Filter(s) / RecessorRing®

**Stack F:** Ground Mounted  
**Configuration:**  
RecessorRing®(s) / Filter(s)

**Stack F:** Downlight Mounted  
**Configuration:**  
RecessorRing®(s) / Filter(s)

**Stack G:** Ground Mounted  
**Configuration:**  
RecessorRing® / Filter / RecessorRing® / Filter



Stack E

UPLIGHTING  
TREES



DOWNLIGHTING  
TREES & EAVES



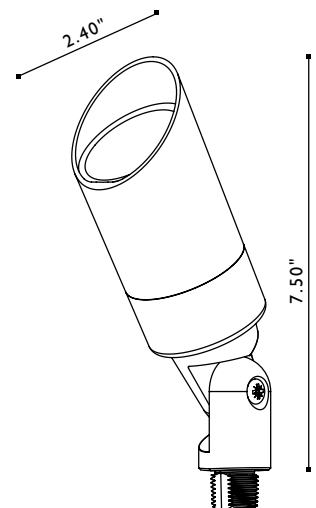
ARCHITECTURAL  
ACCENTS



SHADOWING



EFFECTS



# MACCHIAULTIMO® – ORDERING INFORMATION

MU comes standard with a 20 watt Halogen MR-16 lamp, Clear Lens, Super Slot Spike®, and any finish.

## STANDARD PARTS:

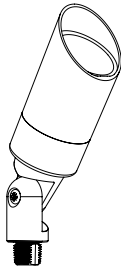


## STANDARD OPTIONS:

1 + 2 + 3 ORDERED TOGETHER ON SAME LINE

## STANDARD LAMP CONFIGURATIONS:

Choose from any watt Halogen (H).

FIXTURE/CODE	WATTAGE/CODE	AVG. LIFE HOUR
<b>1</b> <b>MU</b> 	<b>2 HALOGEN (H) LAMP OPTIONS:</b>	
	<b>20H</b>	20 watt Halogen, wide, 36° beam, Avg. life 5000 hours; now available in 10000 hours <i>(new)</i>
	<b>20V-H</b>	20 watt Halogen, very narrow, 10° beam, Avg. life 5000 hours
	<b>35H</b>	35 watt Halogen, wide, 36° beam, Avg. life 5000 hours; now available in 10000 hours <i>(new)</i>
	<b>35V-H</b>	35 watt Halogen, very narrow, 10° beam, Avg. life 5000 hours
	<b>50H</b>	50 watt Halogen, wide, 40° beam, Avg. life 5000 hours; now available in 10000 hours <i>(new)</i>
	<b>50N-H</b>	50 watt Halogen, narrow, 36° beam, Avg. life 5000 hours;
	<b>50V-H</b>	50 watt Halogen, very narrow, 10° beam, Avg. life 5000 hours

## LAMP NOTE:

Some lamps are by special order. Please check with our factory for availability.

## FINISH OPTIONS:

Choose from the following options. All have regular lead times.

CODE	DESCRIPTION
<b>3</b> <b>BZ</b>	Bronze Metallic
<b>DG</b>	Desert Granite
<b>BF</b>	Black Wrinkle
<b>VF</b>	Verde Speckle
<b>SB</b>	Sedona Brown
<b>WF</b>	White Wrinkle
<b>WI</b>	Weathered Iron

## ORDERING SAMPLE:

SECTIONS:	DESCRIPTION:	WHAT TO ORDER:
<b>1 + 2 + 3</b>	 +  + 	= MU-50-BZ
<b>A , B and/or C</b>	HexBaffle®	= HB
	CapannaDiNoce®	= CDS

## NON-STANDARD OPTIONS:

A, B AND C, MUST BE ORDERED ON SEPARATE LINE!

## ADDITIONAL GLARE CONTROL OPTIONS:

Does not come pre-assembled with glare control, they will arrive in separate box.

CODE	DESCRIPTION
<b>A</b> <b>HB</b>	HexBaffle®
<b>RR</b>	RecessorRing®

## ADDITIONAL LENS OPTIONS:

Comes pre-assembled with a clear lens. All others will arrive in separate box.

CODE	DESCRIPTION
<b>B</b> <b>F</b>	Frosted Lens
<b>S</b>	Spread Lens
<b>SO</b>	Solite Lens
<b>CF-1</b>	Peach Lens
<b>CF-2</b>	Blue Lens
<b>CF-3</b>	Green Lens
<b>CF-4</b>	Red Lens

## ADDITIONAL MOUNTING OPTIONS:

Comes pre-assembled with Super Slot Spike®.

All other mounting options will arrive in separate box.

CODE	DESCRIPTION	SIZE
<b>C</b> <b>CDS</b>	CapannaDiNoce®	2.00" x 10.00"
<b>SJ</b>	SuperJ-boX®	2.50" x 12.00"
<b>PM</b>	PostMount®	2.50" x 13.00"
<b>MJ-RS</b>	Mini J-Box®	3.50" x 2.125" x 1.320"
<b>VB</b>	VersaBoX®	2.50" x 2.00"