

FX | LUMINAIRE®

CM-10, CM-20



FOR SMALL SCALE GARDEN ELEMENTS

Use this warm, xenon lamp source to enhance earth tones or create an intimate atmosphere.

This precision lighting instrument is a fine example of engineering for simplicity and reliability. Through the innovative use of an O-ring hydraulic compression cap seal, the potentially troublesome threads and screws found in other spotlights are eliminated.

The patent pending CaloreMasso® is constructed without compromise using aerospace grade alloys and silicone seals.

We have engineered a white reflector to soften the lamp's output, thereby allowing the designer to get the benefits of the small, low voltage components, without overpowering the space with light.

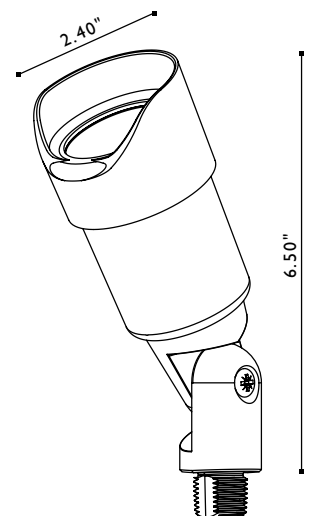
CALOREMASSO® | FX LUMINAIRE®



FX FAMILY OF UPLIGHTS:

When your client's needs dictate the lowest maintenance, highest performance components, specify FX Luminaire® uplights. These rugged and innovative luminaires are made of the very finest aerospace alloys to prevent premature product failure caused by corrosion. All cast components are hand polished before powdercoat to ensure a smooth lustrous finish. Every FX Luminaire® diecast component is made in-house using the latest in computer assisted mold process control.

Note: This fixture is designed for uplighting only.



UPLIGHTING SHRUBS



ARCHITECTURAL ACCENTS



SHADOWING



EFFECTS



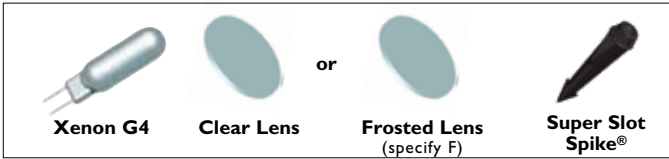
WALL WASHING



CALOREMASSO® – ORDERING INFORMATION

CM comes standard with a 20 watt Xenon G4 lamp, Clear or Frosted Lens (specify F after wattage, EX: CM-20-F-BZ.), Super Slot Spike®, and any finish.

STANDARD PARTS:



ORDERING SAMPLE:

SECTIONS:	DESCRIPTION:	WHAT TO ORDER:
1 + 2 + 3	+ +	= CM-20-BZ
A, B and/or C	HexBaffle®	= HB
	CapannaDiNoce®	= CDS

STANDARD OPTIONS:

1 + 2 + 3 ORDERED TOGETHER ON SAME LINE

AVAILABLE LAMP CONFIGURATIONS:

Your choice of one lamp will come pre-installed.

FIXTURE/CODE	WATTAGE/CODE	AVG. LIFE HOUR
1 CM 	2 XENON LAMP OPTIONS:	
	10	10,000
	20	5000

NON-STANDARD OPTIONS:

A, B AND C MUST BE ORDERED ON SEPARATE LINE!

ADDITIONAL GLARE CONTROL OPTIONS:

Does not come pre-assembled with glare control, they will arrive in separate box.

CODE	DESCRIPTION
A HB	HexBaffle®

ADDITIONAL LENS OPTIONS:

Comes pre-assembled with a clear lens. All others will arrive in separate box.

CODE	DESCRIPTION
B S	Spread Lens
SO	Solite Lens
CF-1	Peach Lens
CF-2	Blue Lens
CF-3	Green Lens
CF-4	Red Lens

FINISH OPTIONS:

Choose from the following options. All have regular lead times.

CODE	DESCRIPTION
3 BZ	Bronze Metallic
DG	Desert Granite
BF	Black Wrinkle
VF	Verde Speckle
SB	Sedona Brown
WF	White Wrinkle
WI	Weathered Iron

ADDITIONAL MOUNTING OPTIONS:

Comes pre-assembled with Super Slot Spike®.

All other mounting options will arrive in separate box.

CODE	DESCRIPTION	SIZE
C CDS	CapannaDiNoce®	2.00" x 10.00"
SJ	SuperJ-boX®	2.50" x 12.00"
PM	PostMount®	2.50" x 13.00"