



INSTALLATION AND OPERATION MANUAL

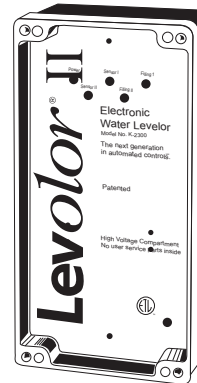
Jandy Pro Series Levolor® Electronic Water Leveler Models K-1100, LX2, K-2300, and LEV110CK/2G



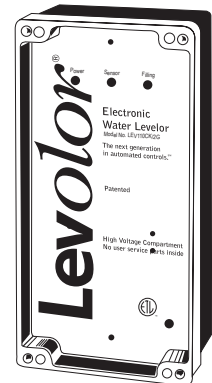
K-1100



LX2



K-2300



LEV110CK/2G

WARNING

FOR YOUR SAFETY - This product must be installed and serviced by a contractor who is licensed and qualified in pool equipment by the jurisdiction in which the product will be installed where such state or local requirements exist. The maintainer must be a professional with sufficient experience in pool equipment installation and maintenance so that all of the instructions in this manual can be followed exactly. Before installing this product, read and follow all warning notices and instructions that accompany this product. Failure to follow warning notices and instructions may result in property damage, personal injury, or death. Improper installation and/or operation will void the warranty. Improper installation and/or operation can create unwanted electrical hazard which can cause serious injury, property damage, or death.



ATTENTION INSTALLER - This manual contains important information about the installation, operation and safe use of this product. This information should be given to the owner/operator of this equipment.

Table of Contents

Section 1. Safety Information	4
Section 2. System Description	5
2.1 Electrical Specifications	5
2.2 Wiring Diagrams	6
Section 3. Installation Instructions	10
3.1 Materials and Tools	10
3.2 Installing the Control Box	10
3.3 Changing Wiring for 110 Volt Operation ...	11
3.4 Grounding	11
3.5 Installing the Valve	11
3.6 Installing the Sensor	12
3.7 Installation Diagrams	13
Section 4. Operation.....	16
4.1 K-1100, LEV110CK/2G, and LX2.....	16
4.2 K-2300	17
4.3 Fill Safety Lockout Mode	17
4.4 Fill Time before Lockout.....	18
Section 5. Troubleshooting	19
5.1 Manual Valve Override	19
5.2 Initial Observations at Job Site	19
5.3 Test Operation of Control Unit	19
5.4 Fill Will Not Turn OFF	20
5.5 Fill Will Not Turn ON	21
Section 6. Replacement Parts	22
6.1 Ordering Information.....	22

Section 1. Safety Information

IMPORTANT SAFETY INSTRUCTIONS PERTAINING TO A RISK OF PROPERTY DAMAGE OR INJURY TO PERSONS READ AND FOLLOW ALL INSTRUCTIONS

When installing and using this equipment, basic safety precautions should always be followed, including the following:

WARNING

FOR YOUR SAFETY. This product must be installed and serviced by a professional service technician, qualified in pool/spa installation and maintenance. Improper installation or operation could cause serious injury, property damage, or death. Improper installation or operation will void the warranty.

WARNING

Before installing this product, read and follow all warning notices and instructions accompanying them. Failure to follow safety warnings and instructions could result in severe injury, death, or property damage.



WARNING

To reduce the risk of injury, do not permit children to use this product unless they are closely supervised at all times.

WARNING

Risk of electric shock - Install the control box at least five (5) feet (152.4cm) from the inside wall of the pool and/or hot tub using non-metallic plumbing. Canadian installations must be at least three (3) meters from the water. Children should not use spas or hot tubs without adult supervision.
Do not use spas or hot tubs unless all suction guards are installed to prevent body and hair entrapment.
People using medications and/or having an adverse medical history should consult a physician before using a spa or hot tub.

WARNING

To reduce the risk of electrical shock, connect the green ground wire marked  to the ground of your electric service or supply panel with a continuous copper conductor having green insulation and one that is equivalent in size to the circuit conductors supplying this equipment, but no smaller than number 12 AWG (3.3mm). This ground wire marked  is provided within the control box.



Attention Installer: Install to provide drainage of compartment for electrical components.



ATTENTION INSTALLER: This manual contains important information about the installation, operation and safe use of this product. This information should be given to the owner/operator of this equipment.

SAVE THESE INSTRUCTIONS

Section 2. System Description

Levolor® Models K-1100, LEV110CK/2G, and LX2 are computer-controlled devices that detect a low water condition and automatically replace the water to a pre-set level. They can be used in all pools and spas.

The LEV110CK/2G is designed for use in large commercial applications.

Levolor II, Model K-2300, is a dual-fill device that can maintain the water level in two (2) separate environments, such as a pool/spa combination or other dual-equipped application. It can be used in any situation where a consistent liquid level is desired.

The Levolor kit contains a sensor, a control box, and a solenoid valve. The Levolor II kit contains two (2) sensors, a control box, and two (2) solenoid valves.

For more details, see *Section 3.1, Materials and Tools*.

Sensor

There are three (3) styles of sensors:

1. Slip Style - installed in static pipe in new pool.
2. Skim Style - installed in skimmer in existing pool (also known as Half-moon Style).
3. Dual Style (Slip on one end/Skim on other end).

NOTE An optional threaded sensor can be installed in a static pipe in a new pool.

Depending on the model, the sensor comes with 50 to 500 feet of wire at the top and two (2) stainless steel contacts at the bottom. You can cut off the sensor wire you do not use.

Control Box

The control boxes for K-1100, LX2 and LEV110CK/2G have three (3) LED displays: Power, Sensor, and Filling. The control box for the K-2300 has five (5) LED displays: Power, Sensor I, Filling I, Sensor II, and Filling II. For more details, see *Section 4. Operation*.

The K-1100, K-2300, and LEV110CK/2G are factory wired for 220 volt operation and require rewiring for 110 volt operation. The LX2 comes in a 220 volt unit and a 110 volt unit.

Valve

The K-1100, LX2, and LEV110CK/2G require one (1) valve, and the K-2300 requires two (2) valves.

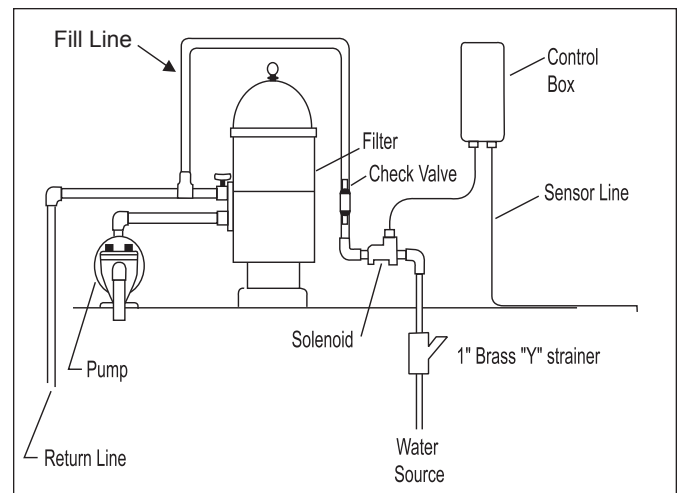


Figure 1. K-1100 or LEV110CK/2G Installation

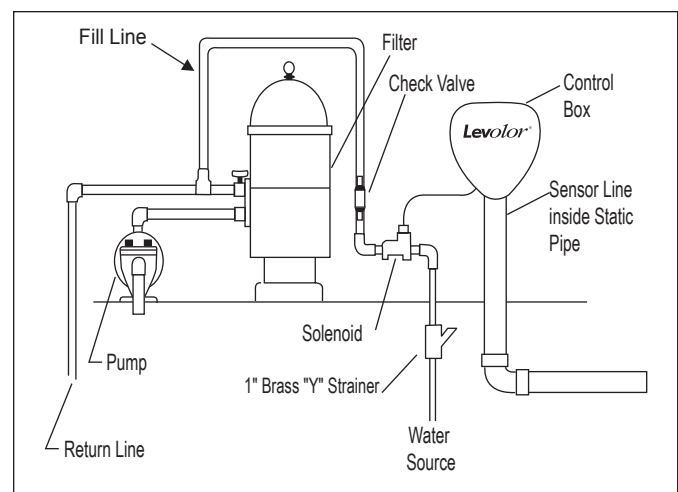


Figure 2. LX2 Installation

The K-1100, LX2, and K-2300 use a 1" valve (Part # SOL100). It has a pressure rating that cannot exceed 125 PSI.

The LEV110CK/2G uses a 2" valve (Part # SOL200). It has a pressure rating that cannot exceed 150 PSI.

2.1 Electrical Specifications

Models K-1100, LX2, K-2300, and LEV110CK/2G

Input: 110 VAC, 50/60 HZ, 0.5 AMPS

220 VAC, 50/60 HZ, 0.5 AMPS

Output: 24 VAC@ 1 AMP

⚠ CAUTION

Models K-1100, K-2300, and LEV110CK/2G are factory wired for 220 VAC service. If available electrical service is 110 VAC, the power supply wiring must be changed to operate on 110 VAC as shown in figures 4, and 5.

2.2 Wiring Diagrams

This section contains wiring diagrams for the K-1100, K-2300, and LEV110CK/2G, along with detailed views of the factory-direct wiring for 220 VAC and the modified wiring for 110 VAC. The section also contains a wiring diagram for the LX2, along with detailed views of the factory-direct wiring for the 220 VAC and 110 VAC units.

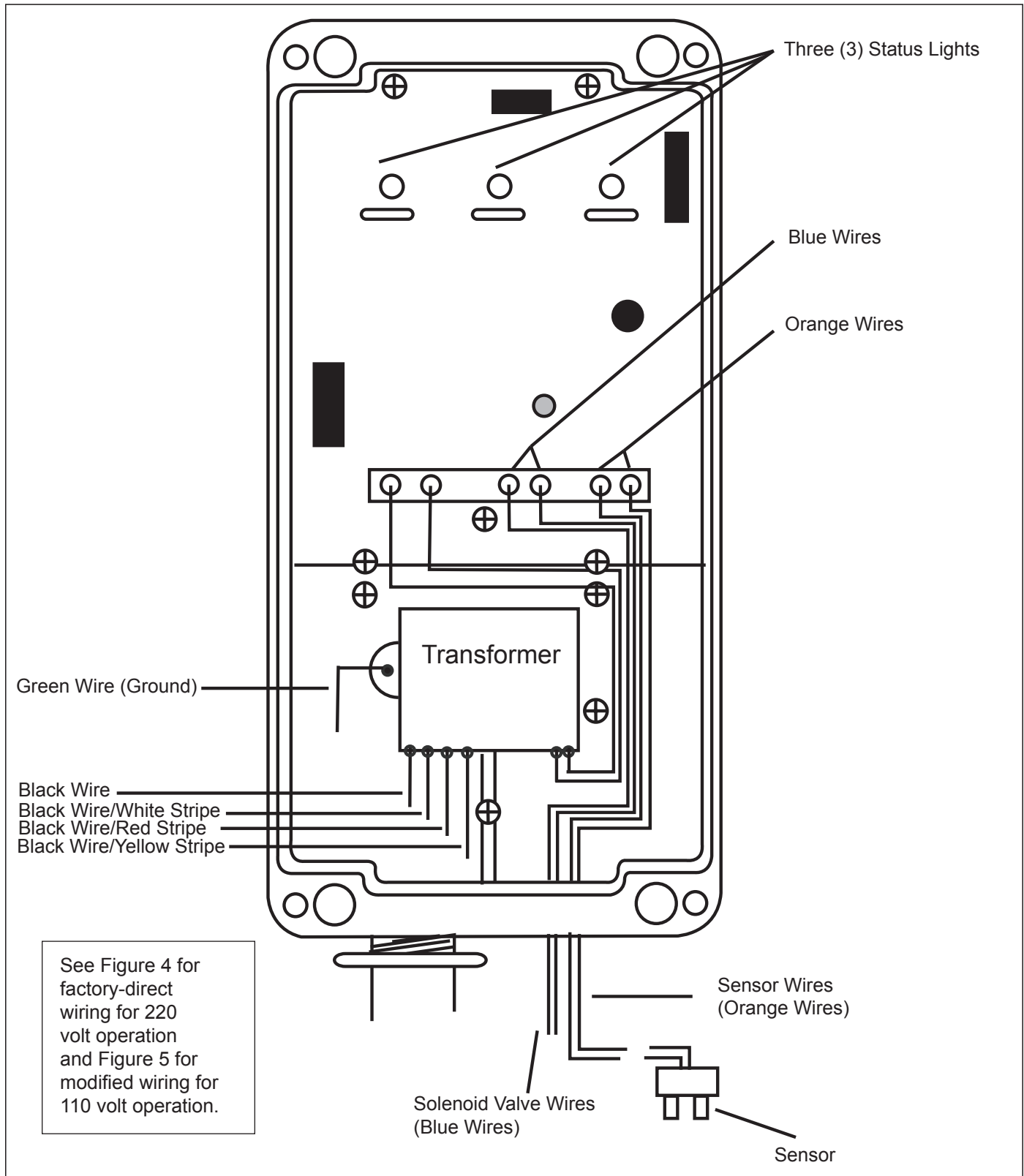


Figure 3. K-1100 and LEV110CK/2G Control Box

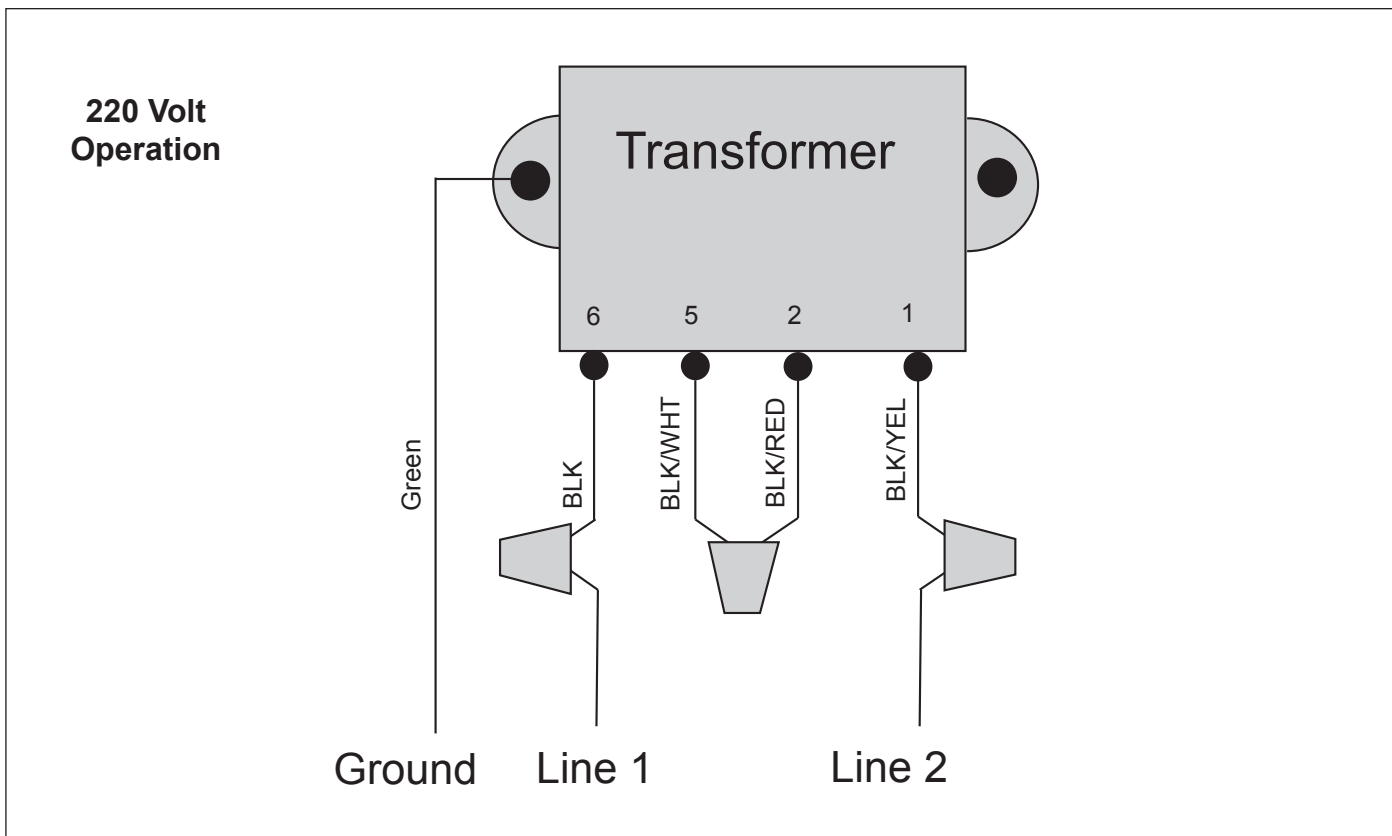


Figure 4. K-1100, K-2300, and LEV110CK/2G Factory Wiring for 220 Volt Operation

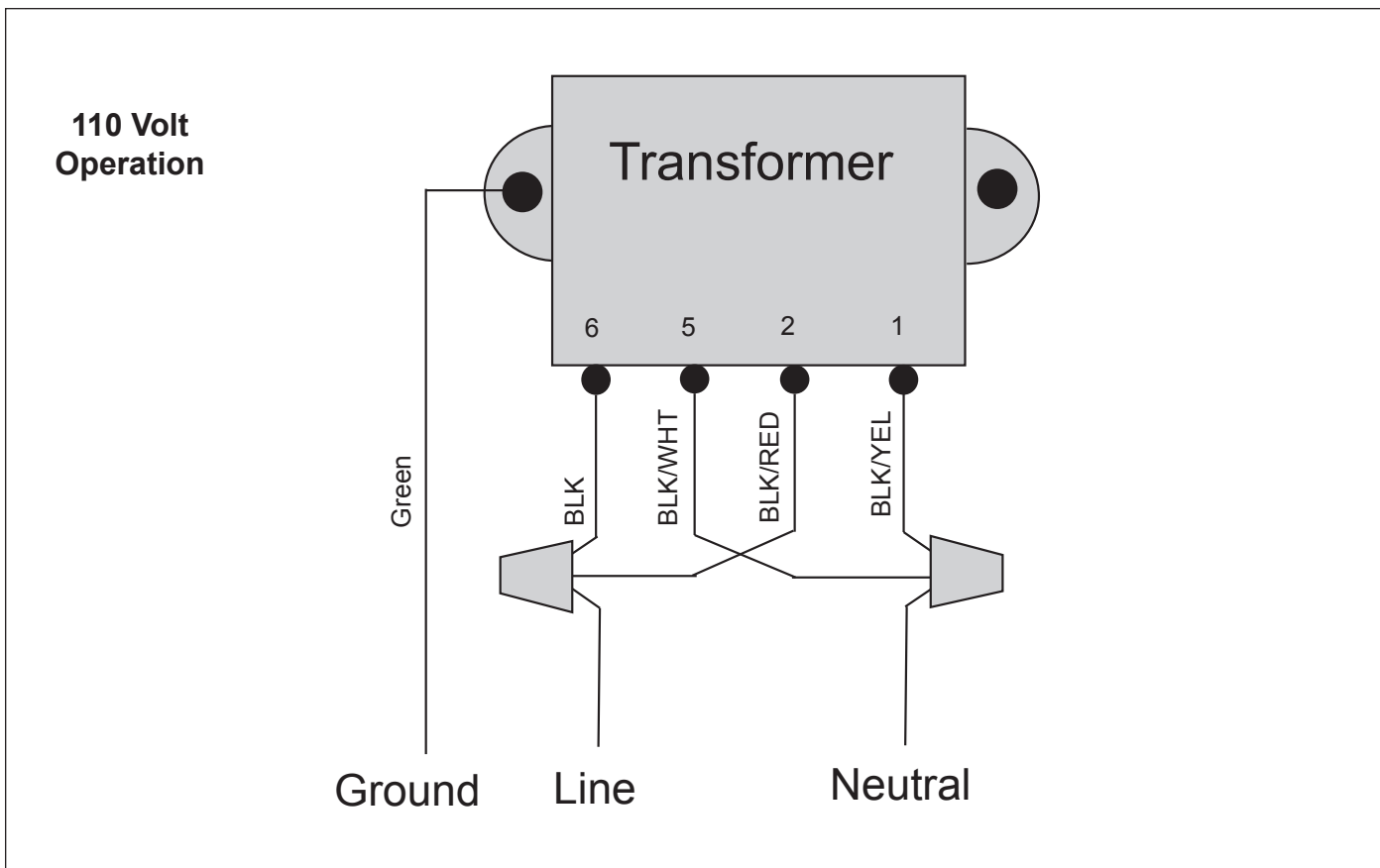


Figure 5. K-1100, K-2300, and LEV110CK/2G Modified Wiring for 110 Volt Operation

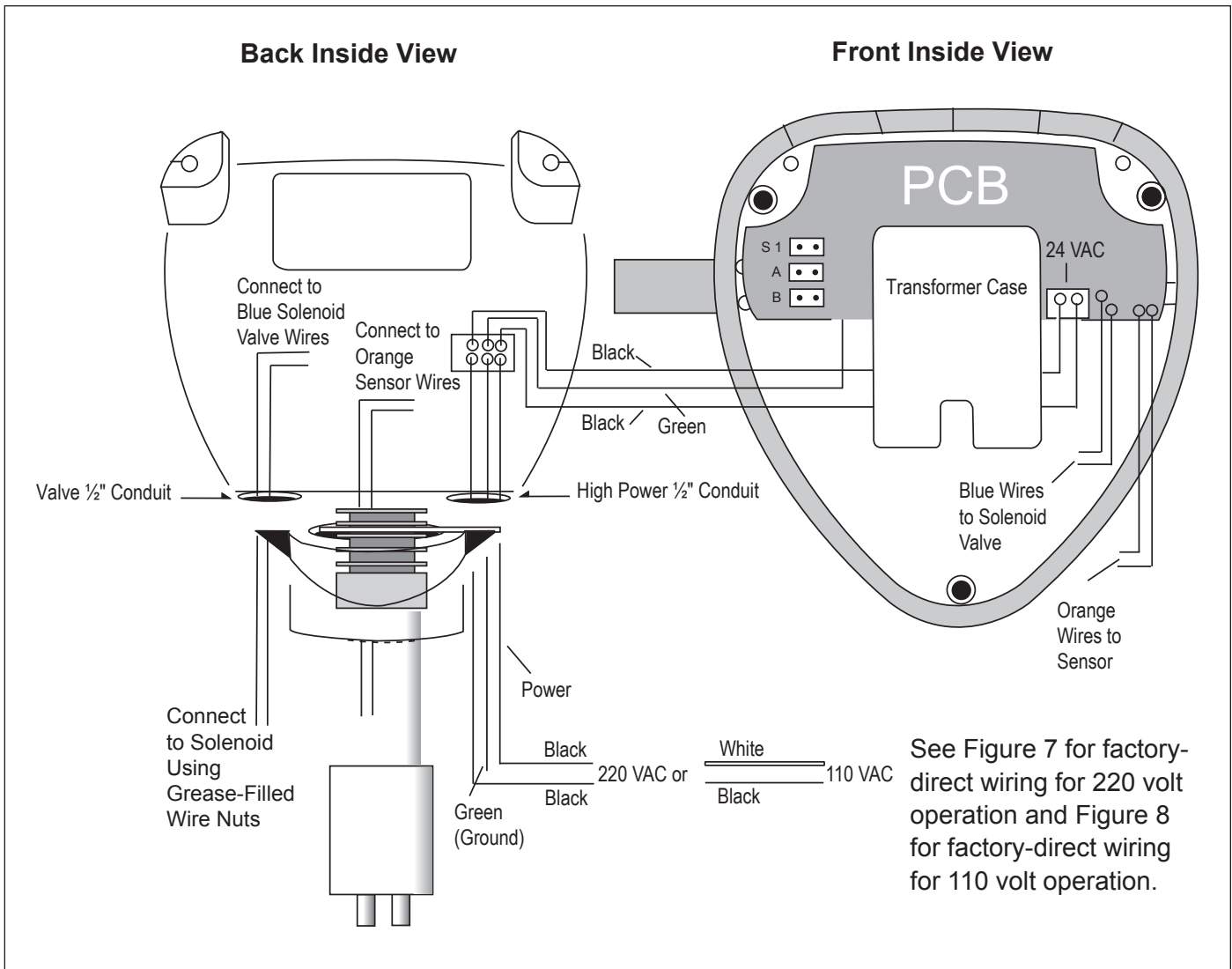


Figure 6. LX2 Control Box

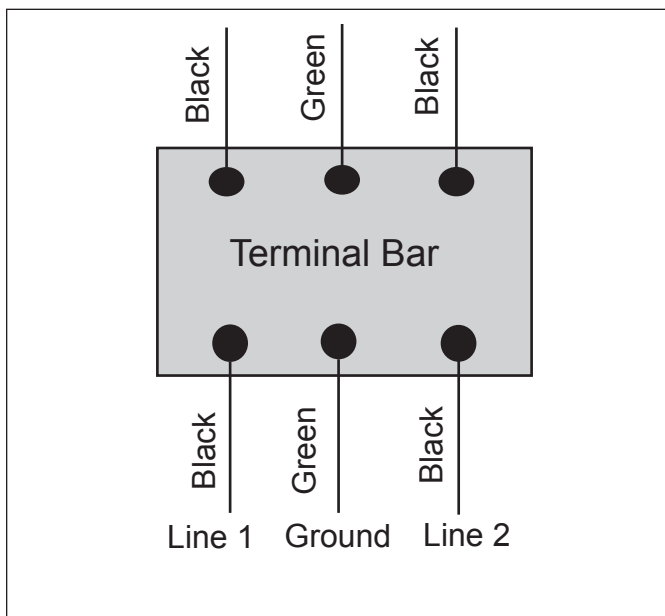


Figure 7. LX2 Factory Direct Wiring for 220 Volt Unit

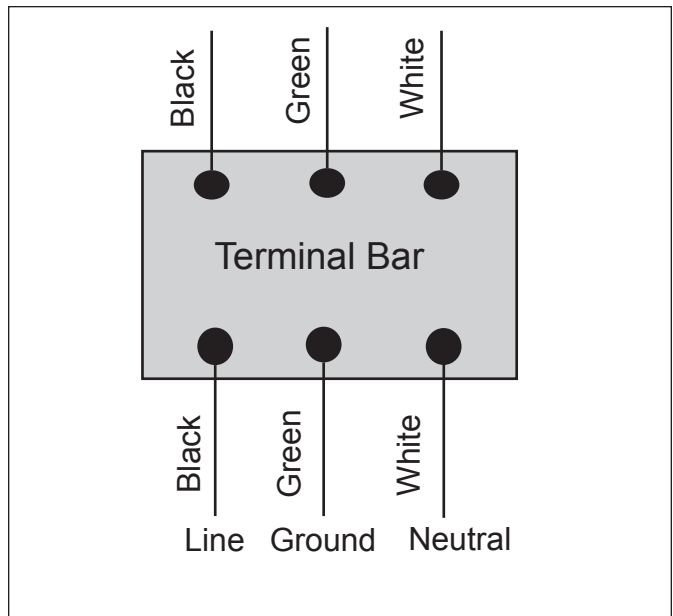
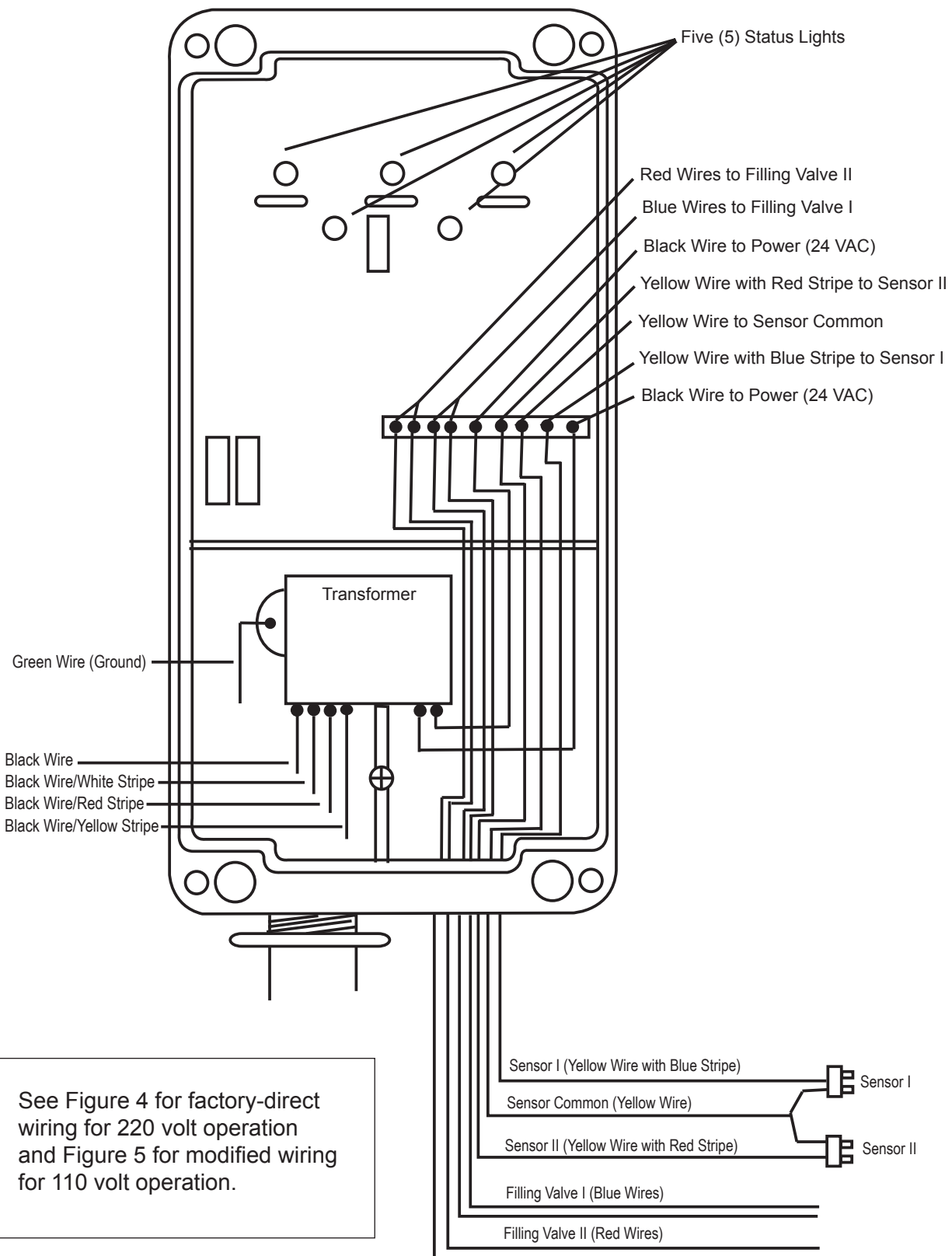


Figure 8. LX2 Factory Direct Wiring for 110 Volt Unit



See Figure 4 for factory-direct wiring for 220 volt operation and Figure 5 for modified wiring for 110 volt operation.

Figure 9. K-2300 Control Box

Section 3. Installation Instructions

3.1 Materials and Tools

Installation Materials Supplied for Levolor® Models K-1100, LX2, or LEV110CK/2G	Qty
Sensor with Wire	1
Solenoid Valve	1
Coupler	1
Control Box	1
Remote Sensor Housing	1
Hardware Kit	1
Grease-Filled Wire Nuts for Valve	2 per kit
Screws	4 per kit
Anchors	4 per kit
Owner's Manual - Warranty Information	1

Installation Materials Furnished for Levolor II, Model K-2300	Qty
Sensor with Wire	2
Solenoid Valve	2
Coupler	2
Control Box	1
Remote Sensor Housing	2
Hardware Kit	2
Grease-Filled Wire Nuts for Valve	2 per kit
Screws	4 per kit
Anchors	4 per kit
Owner's Manual - Warranty Information	1

Additional Materials Needed for Installation
Anti-siphon Valve*
2-Conductor, 18-Gauge Solid-Core Burial Cable
Wire Nut Connectors for the Sensor and Power Connections

*The anti-siphon valve is not necessary if the connection is made from the irrigation system.

Open the box and check to see that it contains the contents listed above. If it does not, contact your dealer or Zodiac technical support at (800) 822-7933.

3.2 Installing the Control Box

NOTE When installing a Levolor on a spa (less than 300 sq ft of surface area), turn the flow control down to reduce the flow rate of the valve.

Models K-1100, K-2300, and LEV110CK/2G

1. Mount the control box to the wall near the pump and filter. See Figure 1. **Do not install the control box within 10 ft (3 m) of the pool edges.**
2. Mount the control box at eye level. Leave sufficient clearance on all sides of the chassis backplate.
3. Check the source voltage. (All three (3) units are factory wired for 220 volt operation.) To modify the wiring for 110 volt operation, see *Section 3.3*.
4. For 220 volt operation, connect the black wire to line 1 and connect the black wire with the yellow stripe to line 2. See Figure 4.

Model LX2

1. Mount the control box in the static pipe where the sensor is installed. See Figure 2.
2. Check the source voltage. (There are separate units for 220 and 110 volt operation.)
 - a. For 220 volt operation, connect one (1) of the black wires to line 1 and the other black wire to line 2. See Figure 7.
 - b. For 110 volt operation, connect the white wire to the white neutral line. Then connect the black wire to the black power line. See Figure 8.

3.3 Changing Wiring for 110 Volt Operation

▲ WARNING


Potentially high voltages in the Levolor® control box can create dangerous electrical hazards, possibly causing death, serious injury or property damage. Turn off power at the main circuit breaker providing power to the control box to disconnect the control box from the system. To properly and safely wire the system, be sure to carefully follow the applicable requirements of the National Electrical Code (NEC), NFPA 70 or the Canadian Electrical Code (CEC), CSA C22.1. All applicable local installation codes must also be adhered to.

Models K-1100, K-2300, and LEV110CK/2G

Refer to Figures 4 and 5 and do the following:

1. Cut the splice cap connecting the black/white and the black/red wires. See Figure 4.
2. Connect the black/red wire with the black wire and connect to the line side of power. See Figure 5.
3. Connect the black/white wire with the black/yellow wire and connect to the neutral side of power. See Figure 5.

3.4 Grounding

Connect the green ground wire marked  to the ground of your electric service or supply panel with a continuous copper conductor that has green insulation and is equivalent in size to the circuit conductors supplying this equipment, but no smaller than no. 12 AWG (3.3mm). Refer to your local codes for the acceptable grounding wire gauge.

3.5 Installing the Valve

NOTE Install the valve with the directional water flow arrow pointing in the appropriate direction. The directional water flow arrow is located on the inlet side of the valve.

A 24 VAC solenoid valve will provide water from a supply line to the pool or spa. You can install the supply line either before or after the filter at the equipment pad or on a dedicated line back to the pool.

The K-1100, LX2, and K-2300 use a 1" valve, and the LEV110CK/2G uses a 2" valve. In addition, Zodiac recommends an anti-siphon valve (to help prevent accidental draining of the pool), and an in-line strainer, which you can purchase from Zodiac.

1. Connect the 24 VAC water solenoid valve to the 18-gauge solid-core burial cable using the supplied grease-filled wire nuts.
2. Connect the other end according to the model being installed, using the following instructions:

Models K-1100, LX2, and LEV110CK/2G:

Connect the valve wires to the blue wires in the control box using wire nuts.

Model K-2300: Connect the wires from Valve I to the blue wires in the control box using wire nuts. Connect the wires from Valve II to the red wires in the control box using wire nuts.

3. Turn the flow control knob (+) on the top of the valve (See Figure 10) to set the flow rate to your specifications.

NOTE The rate can be set up to 30 GPM for the K-1100, LX2, and K-2300. The rate can be set up to 130 GPM for the LEV110CK/2G.

4. Put the manual ON/OFF lever, located just below the solenoid, in the OFF position, so it will only open with the electronic water Levolor. See Figure 11.

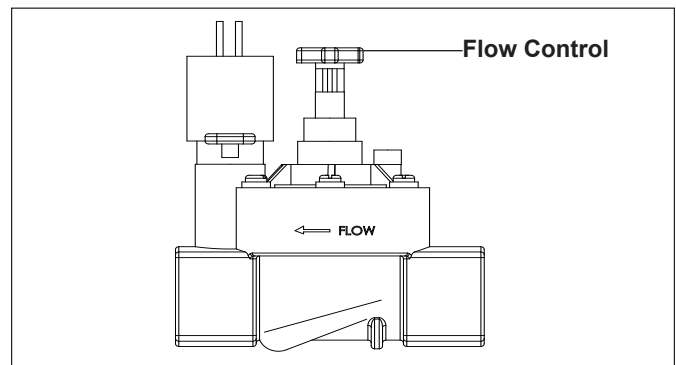


Figure 10. Valve Flow Controller

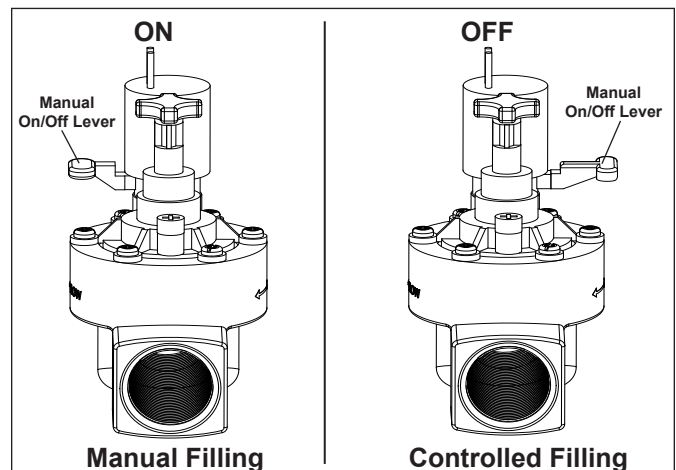


Figure 11. Manual Valve Lever

3.6 Installing the Sensor

NOTE If using a dual style sensor, cut off and discard the sensor you are not planning to use. See Figure 12.

⚠ CAUTION

Important Safety Instructions. Sensor wires must be continuous and not spliced. Solder all low voltage wire connections when possible and always use grease-filled wire nuts on low voltage connections.

1. Install the sensor in the appropriate location for the sensor style.
 - a. Mount the skim (half-moon) sensor horizontally to an existing skimmer. Mount with velcro or a suitable adhesive in the skimmer throat behind the whirl door arc. See Figures 13 and 15.
 - b. Mount the slip sensor vertically in a static pipe. Glue the sensor to the coupling. See Figures 14 and 16.

NOTE Screw the optional threaded sensor into a 1" threaded coupling.

NOTE When using the static pipe method, glue all 1" fittings only. Do not glue 2" fittings. Glue all fittings with proper ABS/PVC glue: 793 IPS brand for ABS/PVC.

2. Connect the sensor wires as follows:

Models K-1100, LX2, and LEV110CK/2G:

Connect the sensor cable to the two (2) orange wires in the control box using wire nuts. See Figures 3 and 6.

Model K-2300:

- a. Connect one (1) wire from Sensor I and one (1) wire from the Sensor II to the yellow Sensor Common wire using wire nuts. See Figure 9.
- b. Connect the other wire from Sensor I to the yellow wire with the blue stripe using wire nuts. See Figure 9.
- c. Connect the other wire from Sensor II to the yellow wire with the red stripe using wire nuts. See Figure 9.

NOTE For all models, the wire to the sensors must be continuous. There cannot be any wire splices.

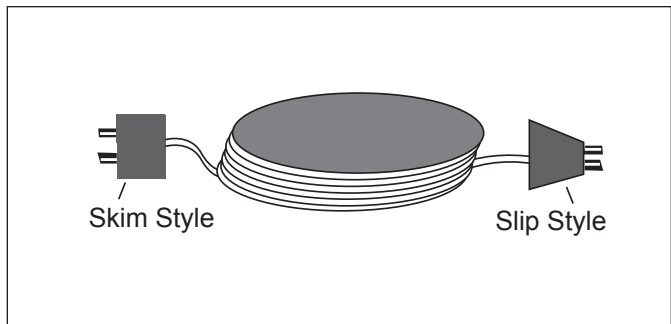


Figure 12. Dual Style Sensor

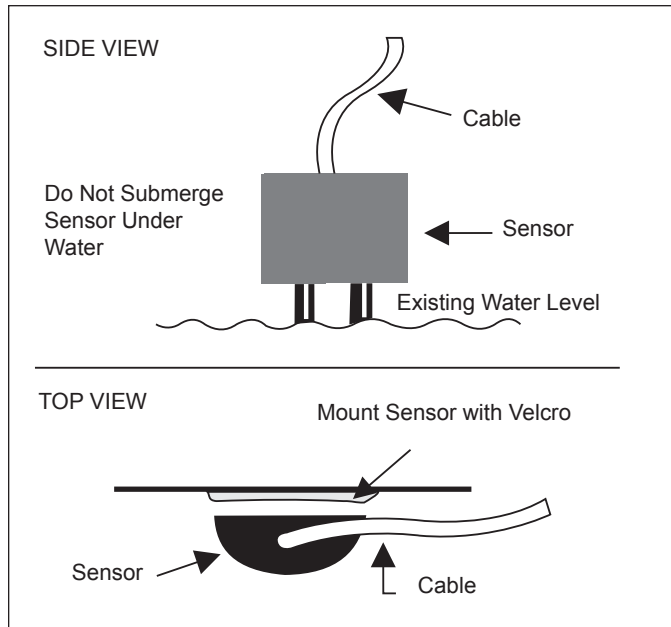


Figure 13. Skim (Half-moon) Sensor Retrofit Installation

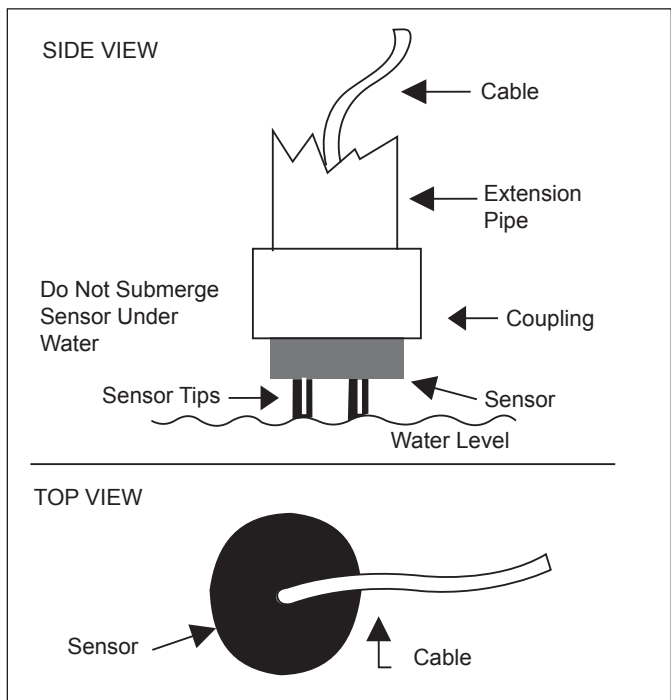


Figure 14. Slip Sensor Installation

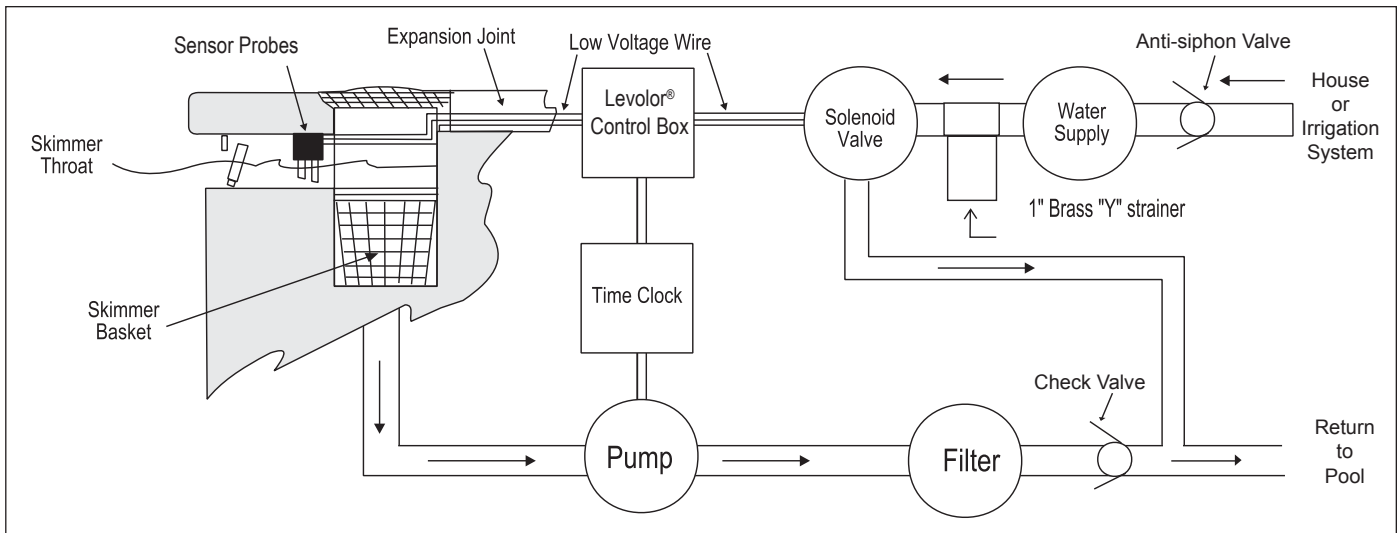


Figure 15. Skim (Half-moon) Sensor in Skimmer Installation in Existing Pool

3.7 Installation Diagrams

This section shows diagrams of skim (half-moon) style and slip style sensor installations and details. They are:

- Skim (Half-moon) Sensor in Skimmer Installation in Existing Pool
- Slip Sensor in Static Pipe Installation in New Pool
- Slip Sensor Detail
- Slip Sensor in Remote Housing Detail
- Deck Lid Installation Detail
- LX2 Static Pipe Installation in New Pool
- Slip Sensor in LX2 Installation Detail

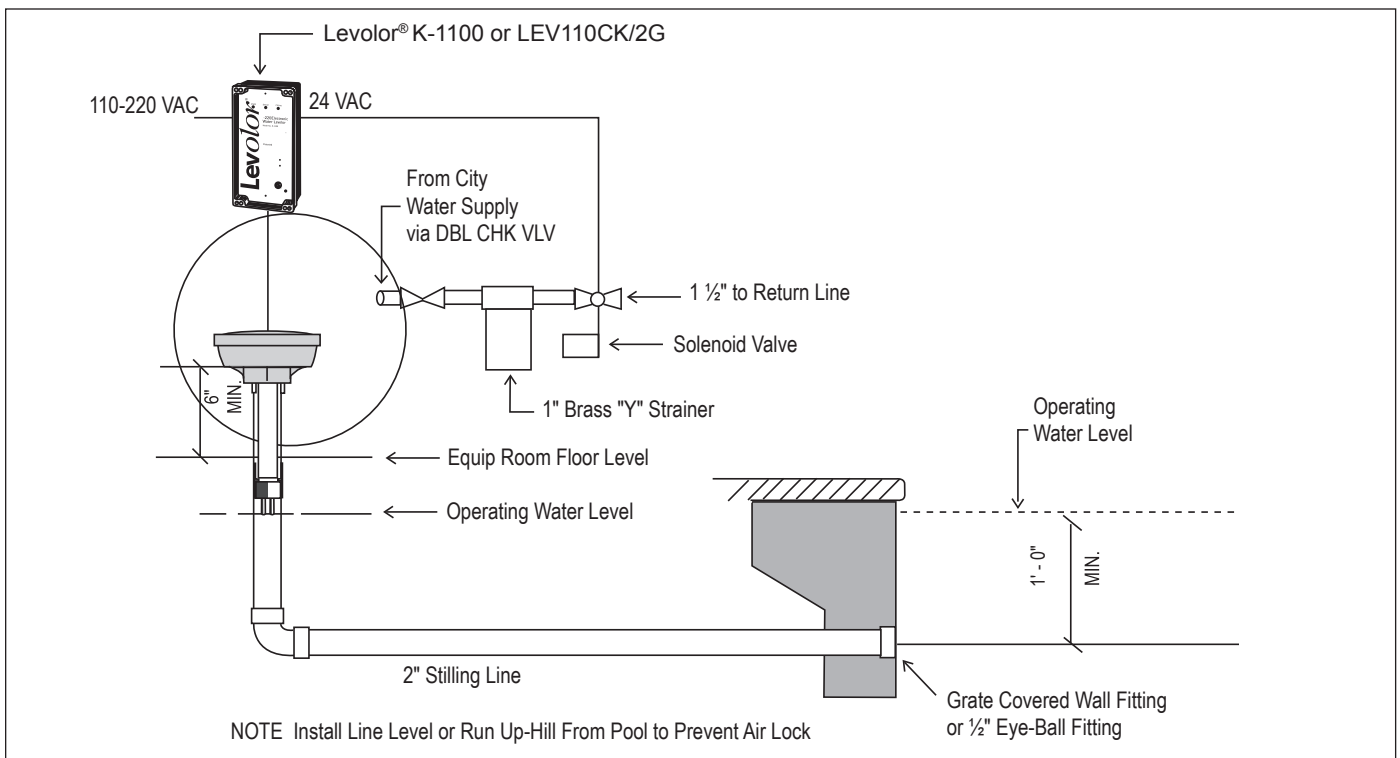


Figure 16. Slip Sensor in Static Pipe Installation in New Pool

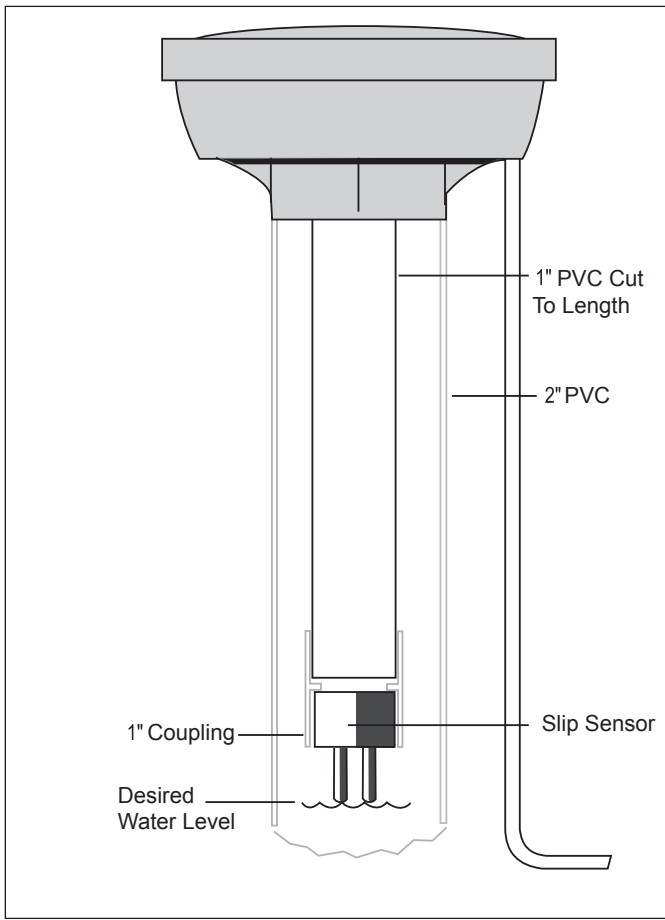


Figure 17. Slip Sensor Detail

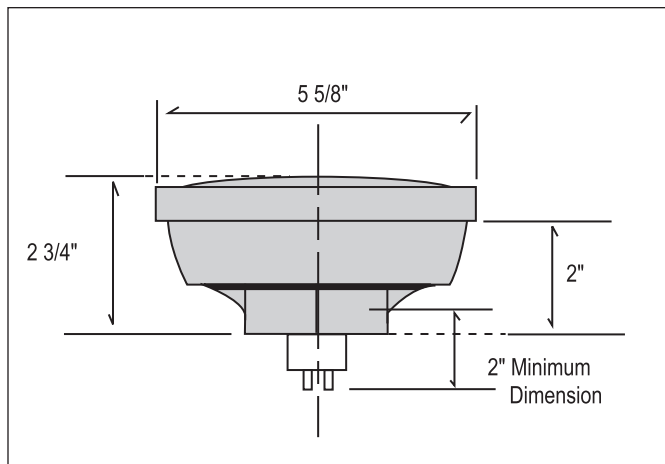


Figure 18. Slip Sensor in Remote Housing Detail

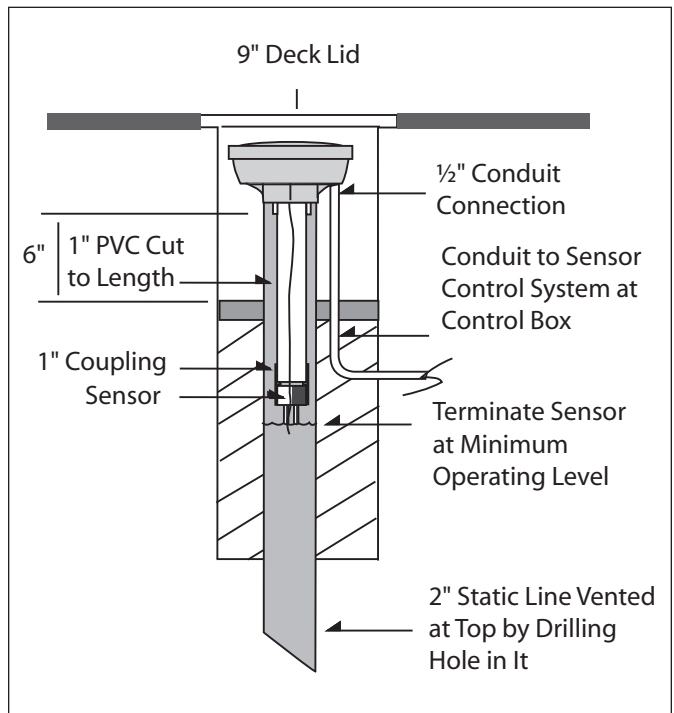


Figure 19. Deck Lid Installation Detail

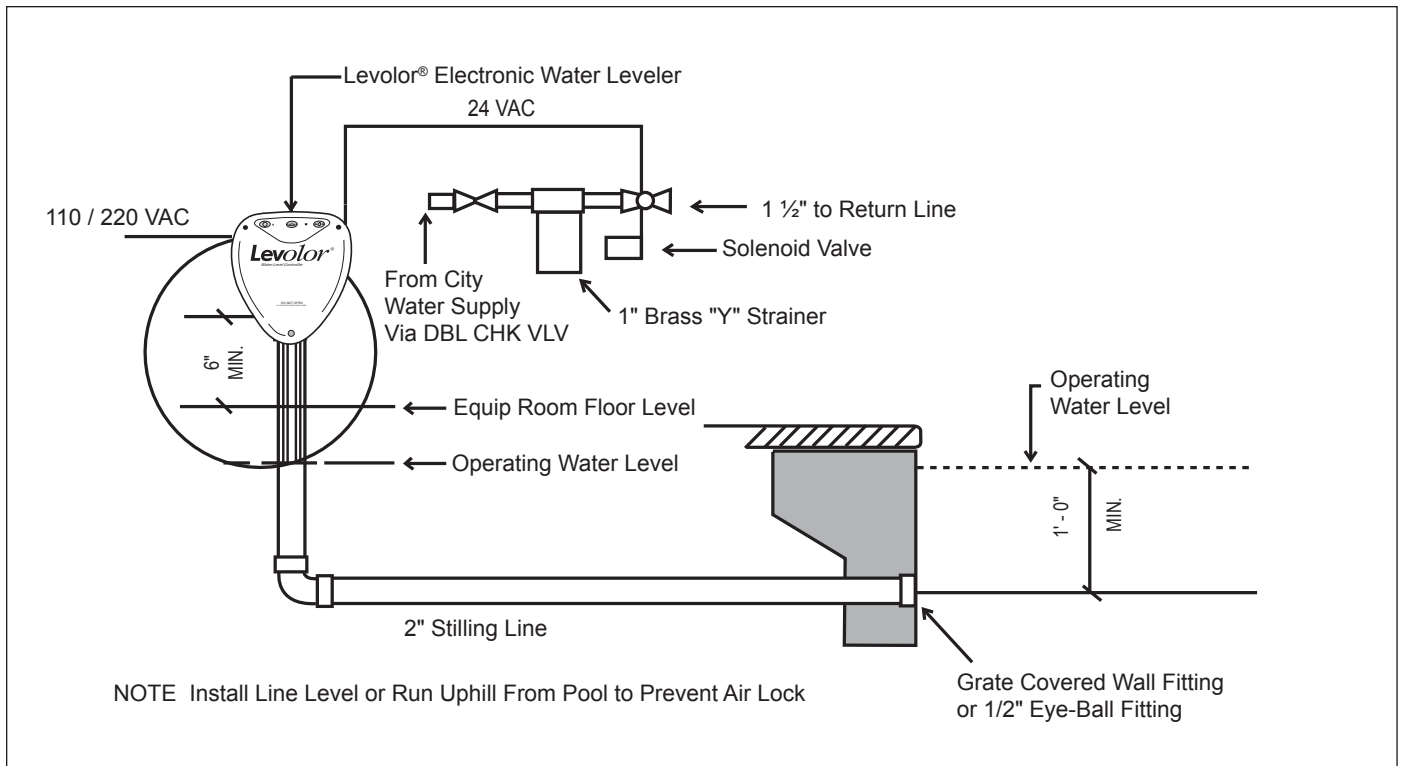


Figure 20. LX2 in Static Pipe Installation in New Pool

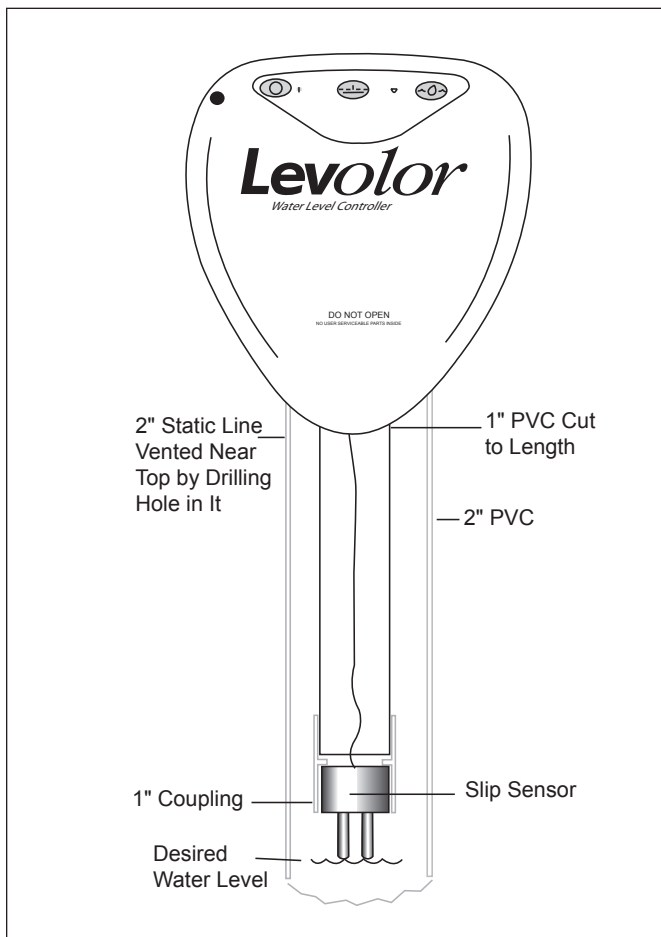


Figure 21. Slip Sensor in LX2 Installation Detail

Section 4. Operation

4.1 K-1100, LEV110CK/2G, and LX2

The controllers for the K-1100 and LEV110CK/2G (See Figure 22) and the LX2 (See Figure 23) each have three (3) lights. Refer to the figures and Table 1.

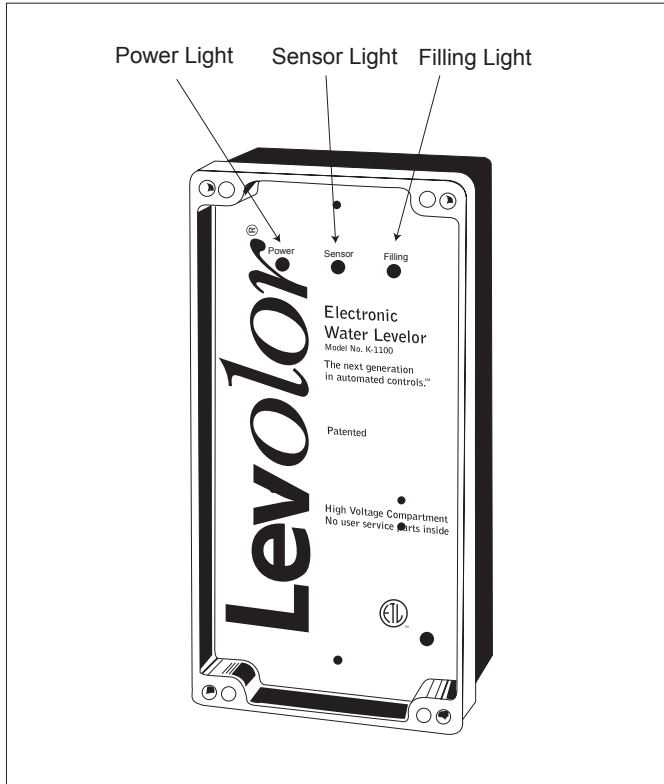


Figure 22. K-1100 and LEV110CK/2G Controller Lights

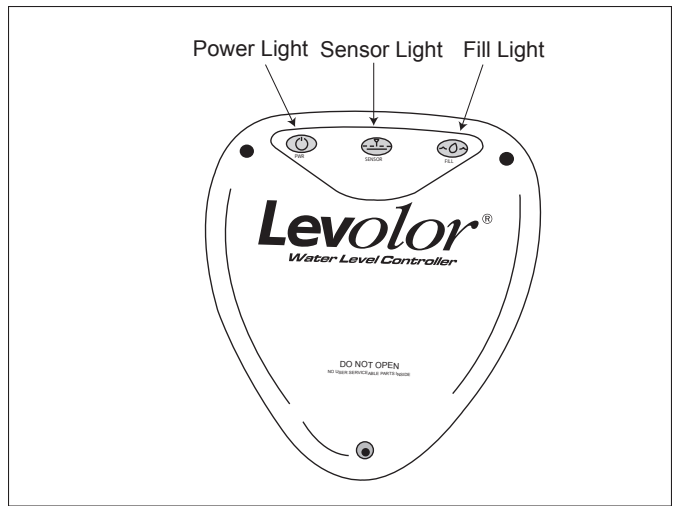


Figure 23. LX2 Controller Lights

The Power light turns green when the unit is powered on. The Sensor light turns yellow when water is not touching the sensor tips.

The Filling light turns green 20 seconds after the sensor light illuminates, indicating that the valve is operational and filling. The Filling light turns off when the pool is filled.

The Filling light turns red when the unit enters Fill Safety Lockout Mode. This happens if it takes longer to fill the pool than the time period allotted (20, 40, or 60 minutes). For more information, see *Section 4.3, Fill Safety Lockout Mode*.

NOTE The time period allotted for the LEV110CK/2G to fill is one (1), two (2), or three (3) hours. See Table 1.

LED	Function	Color	Operating Mode	Delay to Turn Function ON	Delay to Turn Function OFF
Power	Turn Power ON	Green	Power is ON	None	None
Sensor	Detect Low Water	Yellow	Water is Low	None	None
Filling for K-1100 and LX2	Filling Pool	Green	Fill Valve is ON	20 Seconds after Sensor Light Turns ON	20 Seconds after Sensor Light Turns OFF
	Safety Lockout	Red	Fill Valve is OFF	20, 40 or 60 Minutes	24 Hours
Filling for LEV110CK/2G	Filling Pool	Green	Fill Valve is ON	20 Seconds after Sensor Light Turns ON	20 Seconds after Sensor Light Turns OFF
	Safety Lockout	Red	Fill Valve is OFF	1, 2, or 3 Hours	24 Hours

Table 1. LED Indicators for K-1100, LX2, and LEV110CK/2G

4.2 K-2300

The controller for the K-2300 has five (5) lights. See Figure 24 and refer to Table 2. The Power light turns green when the unit is on. The Sensor I light turns yellow when water is not touching the Sensor I tips.

Twenty seconds later, the Filling I light turns green, indicating that Valve I is operational and filling. The light turns off when the pool is filled, and turns red when Valve I goes into Safety Lockout Mode.

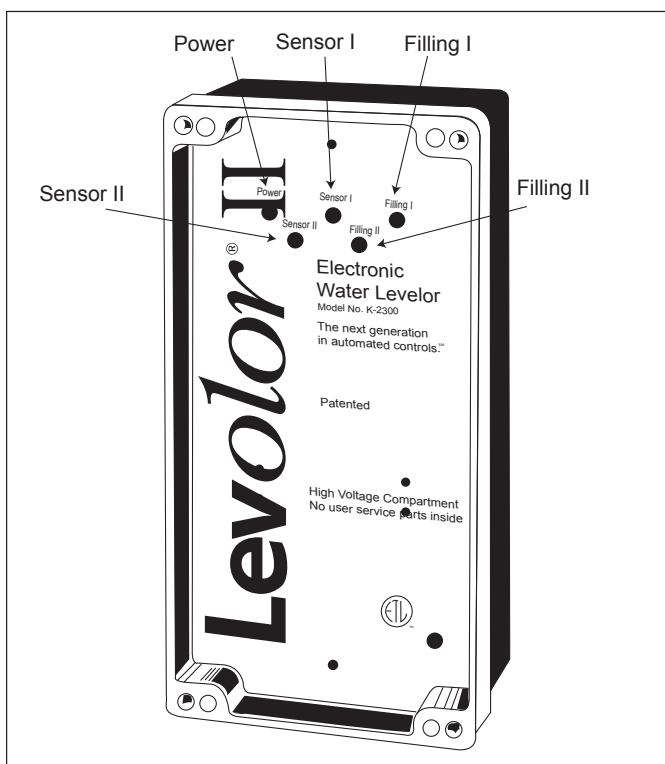


Figure 24. K-2300 Controller Lights

The Sensor II light turns yellow when water is not touching the Sensor II tips. Twenty seconds later, the Filling II light turns green, indicating that Valve II is operational and filling. The light turns off when the spa is filled, and it turns red when Valve II goes into Safety Lockout Mode.

Note that the K-2300 has two (2) Safety Lockout features, one (1) for Valve I and the other for Valve II. They operate independently. If one valve goes into Safety Lockout Mode, the other valve can continue to operate normally.

4.3 Fill Safety Lockout Mode

The Fill Safety Lock-out Mode shuts the Filling I or Filling II valve down for 24 hours or until the unit is powered down and back up to reset the filling time. When the unit goes into lock-out, it indicates a possible problem with the control, sensor, or water fill line system. The 24-hour window provides time to find and fix the problem. If the problem has not been fixed after 24 hours, the control will lock out for another 24 hours.

All four (4) models described in this manual are equipped with a lock-out sequence. This means that if the Levolor® sensor has not been touched by water within the pre-set Fill time period, the controller turns the valve off for 24 hours and changes the Filling I or Filling II light from green to red.

The pre-set factory Fill time for the K-1100, LX2, and K-2300 is 20 minutes, but it can be modified to 40 or 60 minutes. The pre-set factory Fill time for the LEV110CK/2G is one (1) hour, but it can be modified to two (2) or three (3) hours. See Table 1 for pre-set and modified Fill times. See Section 4.4 for instructions on modifying pre-set Fill times.

LED	Function	Color	Operating Mode	Delay to Turn Function ON	Delay to Turn Function OFF
Power	Turn Power ON	Green	Power is ON	None	None
Sensor I	Detect Low Water in Pool	Yellow	Water in Pool is Low	None	None
Filling I	Filling Pool	Green	Fill I Valve is ON	20 Seconds after Sensor Light Turns ON	20 Seconds after Sensor Light Turns OFF
	Safety Lockout	Red	Fill I Valve is OFF	20, 40 or 60 Minutes	24 Hours
Sensor II	Detect Low Water in Spa	Yellow	Water in Spa is Low	None	None
Filling II	Filling Spa	Green	Fill II Valve is ON	20 Seconds after Sensor Light Turns ON	20 Seconds after Sensor Light Turns OFF
	Safety Lockout	Red	Fill II Valve is OFF	20, 40 or 60 Minutes	24 Hours

Table 2. LED Indicators for K-2300

4.4 Fill Time before Lockout

Model K-1100 and LX2:

For the K-1100 and LX2 the factory-set Fill time before Safety Lockout occurs is 20 minutes. The Fill time can be modified by cutting the jumpers as follows:

Cut Jumper	Fill Time Period
Either A or B	40 minute fill before lockout
Both A and B	60 minute fill before lockout

NOTE To disable the lockout feature, cut jumper S-1.

See Figure 26 for the location of the LX2 jumpers and Figure 27 for the location of the K-1100 jumpers.

Model LEV110CK/2G:

The LEV110CK/2G factory-set Fill time before Lockout is one (1) hour. To modify, cut jumpers as follows:

Cut Jumper	Fill Time Period
Either A or B	2 hours fill before lockout
Both A and B	3 hours fill before lockout

NOTE To disable the lockout feature, cut jumper S-1.

See Figure 27 for location of LEV110CK/2G jumpers.

Model K-2300: The K-2300 factory-set Fill time before Lockout is 20 minutes for both Filling I and Filling II. To modify fill times, cut jumpers as follows:

Cut Jumper	Fill Time Period
Either A or B	40 minute fill before Filling I lockout
Both A and B	60 minute fill before Filling I lockout
Either C or D	40 minute fill before Filling II lockout
Both C and D	60 minute fill before Filling II lockout

NOTE To disable Filling I lockout, cut jumper S-1. To disable Filling II lockout, cut jumper S-2.

See Figure 28 for the location of the K-2300 jumpers.

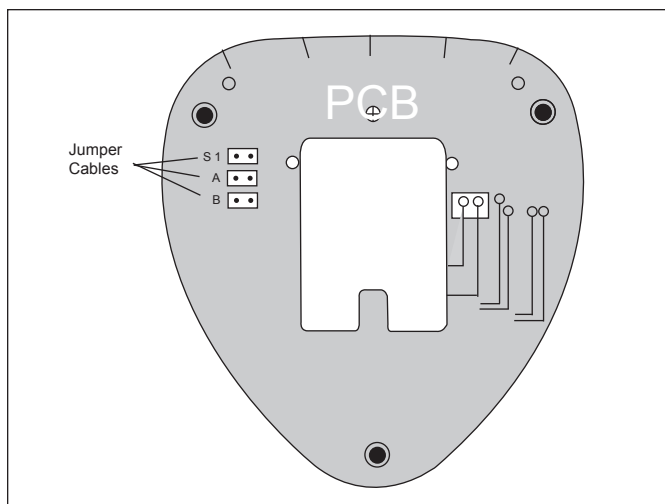


Figure 26. LX2 Jumper Cables

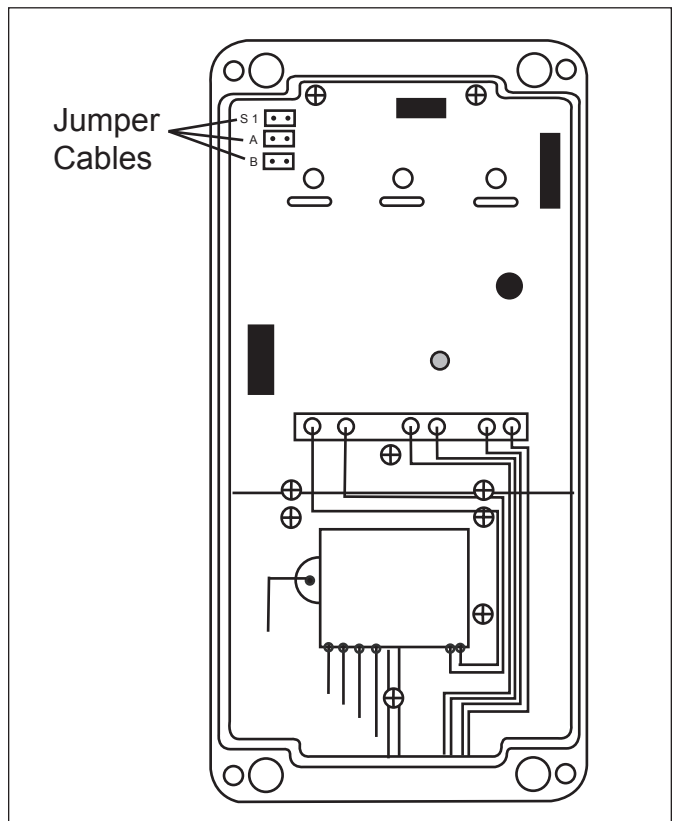


Figure 27. K-1100 and LEV110CK/2G Jumper Cables

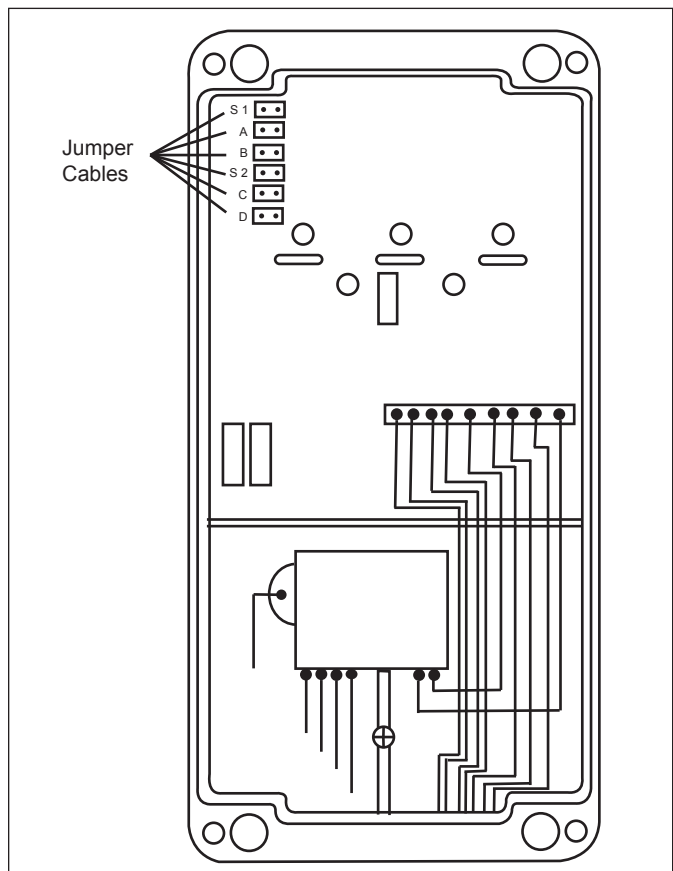


Figure 28. K-2300 Jumper Cables

Section 5. Troubleshooting

5.1 Manual Valve Override

There is a manual ON/OFF lever located just below the solenoid. If you are having a problem with the system and want to override the electronic water Levolor®, you can manually open the valve by putting the lever in the ON position. See Figure 11.

During normal operation, the lever must be in the OFF position.

5.2 Initial Observations at Job Site

When called to a job site, make these initial observations.

1. Proper wire usage between the controller and the valve. (Burial-style polypropylene-jacketed solid-core wire, at least 18-gauge.) (Same wire as the sensor wire.)
2. Proper wire nuts at the valve connection. (Grease-filled wire nuts or gel caps. Conventional wire nuts filled with silicone will not work since some silicones have acids that degrade copper wires.)
3. Sensor wire must be continuous and not spliced. (No splices between the tips and the controller.)
4. Proper use of appropriate sensor. (Slip style for static pipes or skim (half-moon) style for skimmer mounts where there is no water in transit from fountains, etc.)
5. Proper power input voltage to the box.

5.3 Test Operation of Control Unit

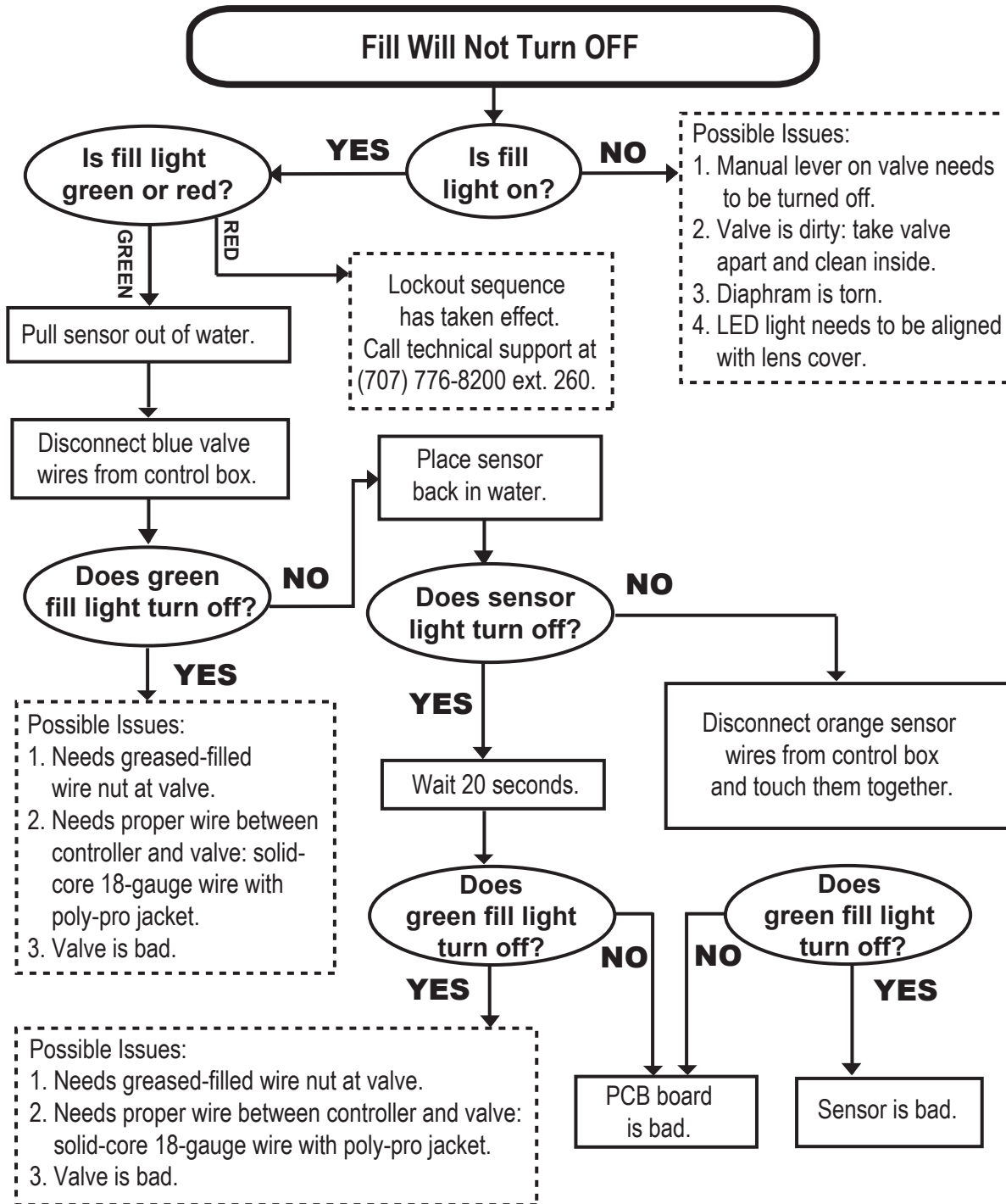
1. Shut power off to the control box.
2. Disconnect the sensor from the sensor wires:
 - a. Models K-1100, LX2, and LEV110CK/2G: Disconnect the sensor from the orange wires in the control box.
 - b. Model K-2300: Disconnect Sensor I from the yellow wire with the blue stripe and the yellow common wire in the control box. Disconnect Sensor II from the yellow wire with the red stripe and the yellow common wire in the control box.
3. Disconnect the valve from the valve wires, making sure they do not touch each other or the power ground.
 - a. Models K-1100, LX2, and LEV110CK/2G: Disconnect the valve from the blue wires in the control box.

- b. Model K-2300: Disconnect Valve I from the blue wires in the control box and disconnect Valve II from the red wires in the control box.
4. Restore power to the control box and observe the operation. The control box is working if steps 5 - 9 occur.
 5. The Power light turns green.
 6. The Sensor light(s) turn yellow.
 7. Send voltage to the valve(s).
 - a. Models K-1100, LX2, and LEV110CK/2G: Twenty seconds after the Sensor light turns yellow, the Filling light turns green, sending 24VAC to the valve on the blue wires.
 - b. Model K-2300: Twenty seconds after the Sensor I light turns yellow, the Filling I light turns green, sending 24 VAC to Valve I on the blue wires. Twenty seconds after the Sensor II light turns yellow, the Filling II light turns green, sending 24 VAC to Valve II on the red wires.
 - c. Use a volt meter to confirm 24 VAC at wires in the control box.
 8. Connect sensor wires:
 - a. Models K-1100, LX2, and LEV110CK/2G: Connect the orange wires in the control box together and the yellow Sensor light turns off immediately. Twenty seconds later the green Filling light will turn off.
 - b. Model K-2300: Connect the yellow wire with the blue stripe for Sensor I and the yellow common wire together in the control box, and the yellow Sensor I light turns off immediately. Twenty seconds later, the green Filling I light turns off. Connect the yellow wire with the red stripe for Sensor II and the yellow common wire in the control box. The Sensor II light turns off immediately. Twenty seconds later the Filling II light turns off.
 9. After the green Filling light(s) turn off, use an AC voltmeter to confirm the following:
 - a. Models K-1100, LX2, and LEV110CK/2G: 0 voltage at the blue wires in the control box.
 - b. Model K-2300: 0 voltage at the blue wires for Valve I and the red wires for Valve II.

Use the troubleshooting flow charts on the following pages to find and fix specific problems.

5.4 Fill Will Not Turn OFF

This is a troubleshooting flow chart for the K-1100, LX2, and LEV110CK/2G. Use it when the Fill function will not turn off.



Section 6. Replacement Parts

6.1 Ordering Information

To order or purchase parts for the Levolor® products, contact your nearest Jandy dealer or distributor. See the Jandy website at www.jandy.com for the nearest service center. For further assistance, contact Customer Service at Zodiac Pool Systems, Inc. at (800)-822-7933.

NOTE To order the correct part, you need to supply the correct model number and part number.

Key	Description	Model No.	Part No.
PCBs and Controllers			
1	Levolor PCB with time-out system	K-1100	LEVBRD (timeout)
2	Controller Only, Lev-220V	K-1100	LEV220Control
3	PCB w/ Transformer, Lev-220V	K-1100	LEV220BDw/TRANS
4	Controller Only, LX2, 110V and 220V	LX2	LX2Control
5	PCB Only, LX2, 110V and 220V	LX2	LX2Board
6	Controller Only, K-2300 220V	K-2300	K2300220Control
7	PCB w/Transformer, K-2300 220V	K-2300	K2300220BDT
Slip Style Sensor (Static Pipe Install)			
8	Slip Style 2 Contact Sensor w/20 ft	K-1100, K-2300	S2040
8*	Slip Style 2 Contact Sensor w/50 ft	K-1100, K-2300	S2040A
8	Slip Style 2 Contact Sensor w/100 ft	K-1100, K-2300	S2040C
8	Slip Style 2 Contact Sensor w/150 ft	K-1100, K-2300	S2040E
8	Slip Style 2 Contact Sensor w/200 ft	K-1100, K-2300	S2040G
8	Slip Style 2 Contact Sensor w/250 ft	K-1100, K-2300	S2040I
8	Slip Style 2 Contact Sensor w/300 ft	K-1100, K-2300	S2040K
8	Slip Style 2 Contact Sensor w/350 ft	K-1100, K-2300	S2040M
Threaded Style (Static Pipe Install)			
9	Threaded Style 2 Contact w/50 ft	K-1100, K-2300	S2042A
9	Threaded Style 2 Contact w/100 ft	K-1100, K-2300	S2042C
9	Threaded Style 2 Contact w/200 ft	K-1100, K-2300	S2042G
9	Threaded Style 2 Contact w/50 ft - 30" Sensor	K-1100, K-2300	S2042A30
Skim (Half Moon) Style (Skimmer Install)			
10	Half Moon Style 2 Contact w/ no wire	K-1100, LX2, K-2300	S2044
10	Half Moon Style 2 Contact w/50 ft	K-1100, LX2, K-2300	S2044A
10	Half Moon Style 2 Contact w/100 ft	K-1100, LX2, K-2300	S2044C
10	Half Moon Style 2 Contact w/100 ft - 4" Sensor	K-1100, LX2, K-2300	S2044C4
10	Half Moon Style 2 Contact w/150 ft	K-1100, LX2, K-2300	S2044E
10	Half Moon Style 2 Contact w/200 ft	K-1100, LX2, K-2300	S2044G
10	Half Moon Style 2 Contact w/250 ft	K-1100, LX2, K-2300	S2044I
10	Half Moon Style 2 Contact w/300 ft	K-1100, LX2, K-2300	S2044K
10	Half Moon Style 2 Contact w/350 ft	K-1100, LX2, K-2300	S2044M

Key	Description	Model No.	Order Part No.
Dual Style (Skimmer or Static Pipe Install)			
11	Dual Style Sensor w/50 ft	K-1100, LX2, K-2300	S2046A
11	Dual Style Sensor w/100 ft	K-1100, LX2, K-2300	S2046C
11	Dual Style Sensor w/150 ft	K-1100, LX2, K-2300	S2046E
11	Dual Style Sensor w/200 ft	K-1100, LX2, K-2300	S2046G
11	Dual Style Sensor w/250 ft	K-1100, LX2, K-2300	S2046I
11	Dual Style Sensor w/300 ft	K-1100, LX2, K-2300	S2046K
11	Dual Style Sensor w/350 ft	K-1100, LX2, K-2300	S2046M
11	Dual Style Sensor w/400 ft	K-1100, LX2, K-2300	S2046O
11	Dual Style Sensor w/450 ft	K-1100, LX2, K-2300	S2046Q
11	Dual Style Sensor w/500 ft	K-1100, LX2, K-2300	S2046S
Miscellaneous			
12	Remote Sensor Cover and Lower Housing	K-1100, LX2, K-2300	70010110
13	1" Plastic Valve, 24 V Solenoid w/Flow Control	K-1100, LX2, K-2300	SOL100
14	1" Y Strainer	K-1100, LX2, K-2300	BRY

Zodiac Pool Systems, Inc.
2620 Commerce Way, Vista, CA 92081
1.800.822.7933 | www.ZodiacPoolSystems.com

©2016 Zodiac Pool Systems, Inc. ZODIAC® is a registered trademark of Zodiac International, S.A.S.U., used under license. All trademarks referenced herein are the property of their respective owners.

H0303600 Rev C



ETL LISTED
CONFORMS TO
UL STD 1563
CERTIFIED TO
CAN/CSA C22.2 NO. 218.1