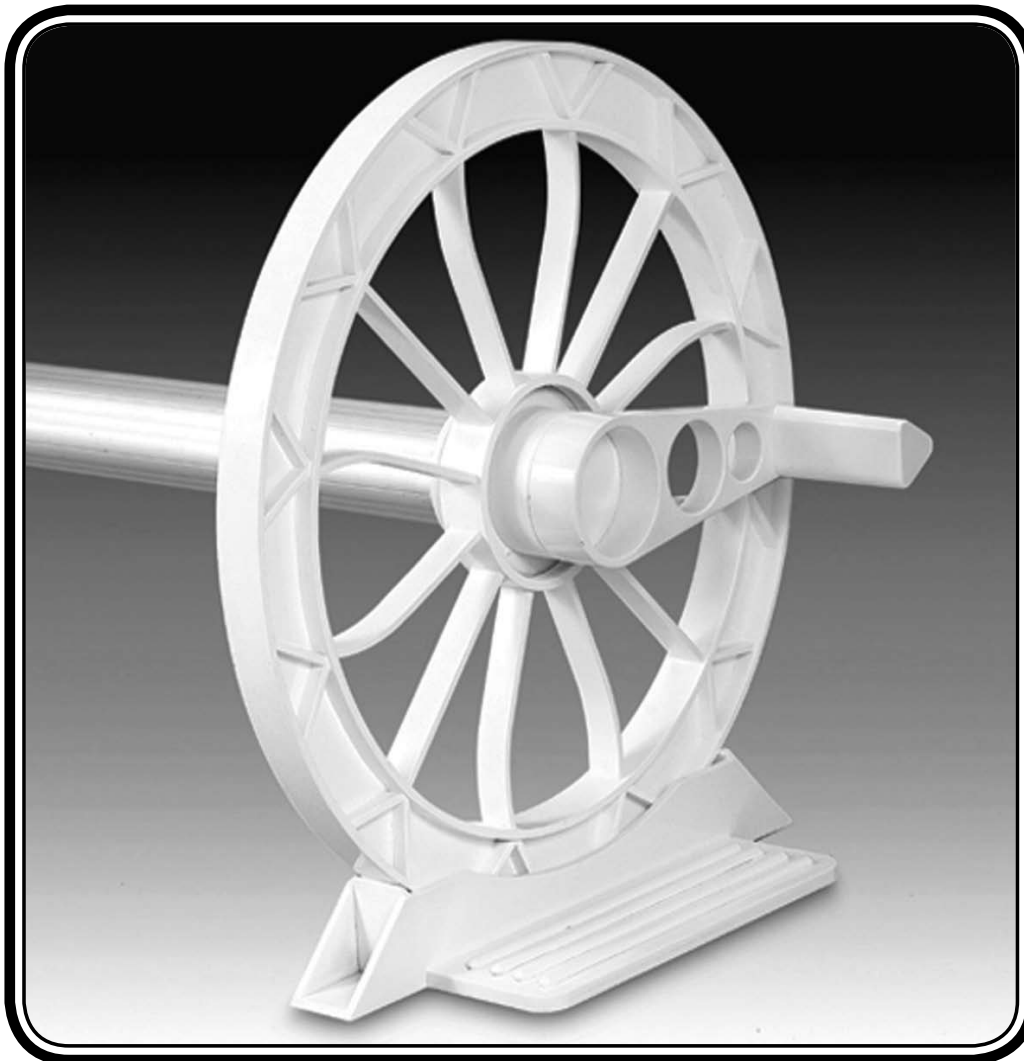


55-0000TY-BK  
INSTRUCTIONS

# DELUXE RESIN REEL SYSTEM FOR INGROUND POOL



REGISTER WARRANTY ONLINE AT [WWW.GLIPOOLPRODUCTS.COM](http://WWW.GLIPOOLPRODUCTS.COM).

*PLEASE REGISTER WITHIN 10 DAYS OF PURCHASE.*

IF YOU WISH TO MAKE A CLAIM, CALL TOLL FREE 1-800-448-2343

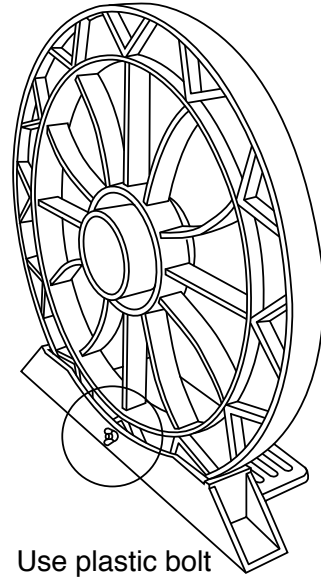
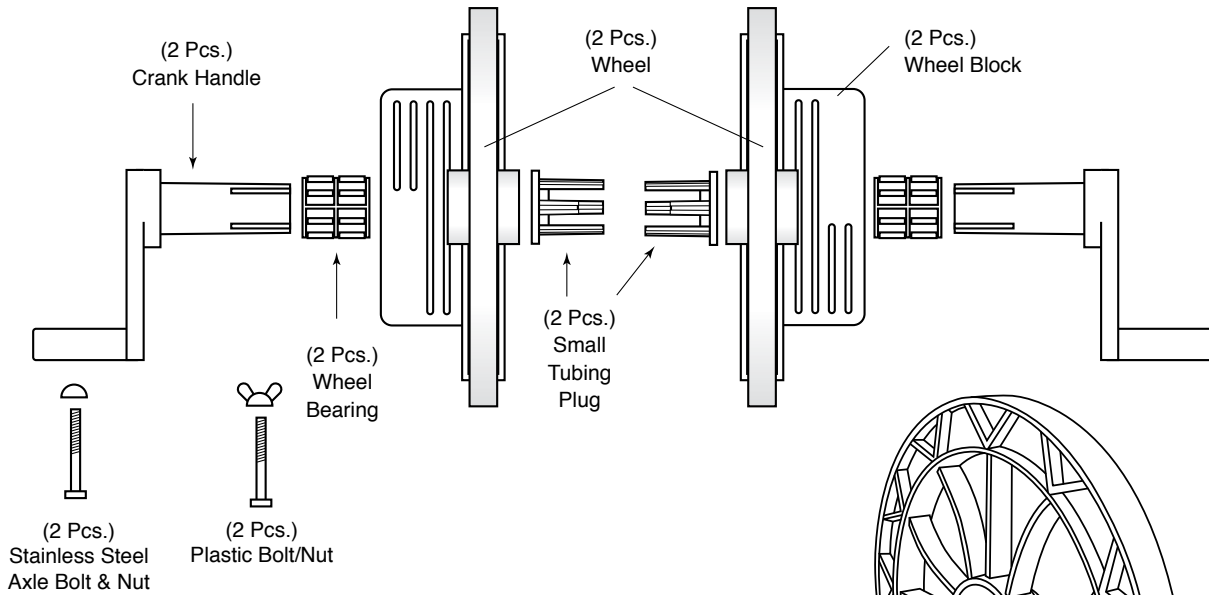
FOR REPLACEMENT PARTS FOR YOUR REEL SYSTEM PLEASE VISIT, [WWW.GLIPROMOTIONS.COM](http://WWW.GLIPROMOTIONS.COM).



Youngstown, Ohio 44510 • [www.glipoolproducts.com](http://www.glipoolproducts.com)

# INSTALLATION INSTRUCTIONS

1. **CONGRATULATIONS** on your purchase of our Deluxe Resin Solar Reel for Inground Pools. Please follow the instructions carefully so as to not void our warranty.
2. Please use your solar blanket and reel assembly in the manner it was intended for:
  - a. Your solar blanket is not a safety cover
  - b. Remove the solar blanket and Solar Reel assembly from the pool completely before swimming use.
  - c. Do not store the solar blanket on the ground in direct sunlight, as it will burn the lawn
3. Preparation & Assembly: Check inventory of all items and assemble as illustrated below:

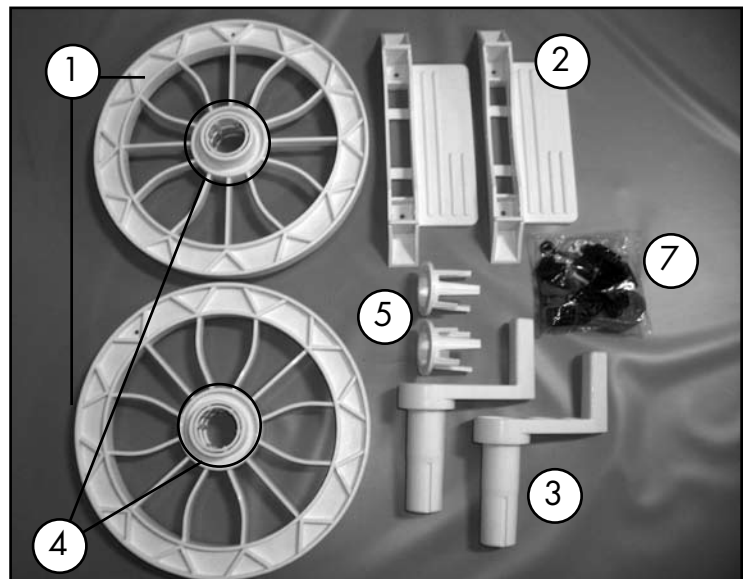


Use plastic bolt and nut to secure wheel to foot pad if desired for stationary use.

**STRAP KIT**

- (11 Pcs.) Plastic Screw (1 extra piece)
- (21 Pcs.) Plastic Strap Plate (1 extra piece)
- (11 Pcs.) Stainless Steel Self-Drilling Screws (1 extra piece)
- (1 Pc.) Driver Bit
- (10 Pcs.) Fabric Straps (1 extra piece)

PARTS BREAKDOWN			
PART NUMBER	DESCRIPTION	QUANTITY	
1	99-55-4395000	Large Wheels	2
2	99-55-4395001	Wheel Foot Pad	2
3	99-55-4395002	Handle	2
4	99-55-4395003	Bearings	2
5	99-55-4395004	3" Resin tube adaptor (tube insert)	2
6	99-55-4395013	2.83" Axle Bolt in hardware bag	2
7	99-55-4395015	Strap Kit/Hardware Bag	1



4. Depending upon the size of your pool you will also require one of the following tube kits: (Tube Assembly is detailed below)

<p><b>PART # IGR4390012</b> <b>12' X 3" IGR TUBE KIT</b></p> <p>(2) 59.5" x 2.75" Dia. Inner Tube (1) 59.5" x 2.95" Dia. Outer Tube (4) 3" Through Bolt with Nut (1) Drill Bit Max. finished length = 13' 3/8"</p>	<p><b>PART # IGR4390016</b> <b>16' X 3" IGR TUBE KIT</b></p> <p>(2) 72" x 2.75" Dia. Inner Tube (1) 72" x 2.95" Dia. Outer Tube (4) 3" Through Bolt with Nut (1) Drill Bit Max. finished length = 16' 1/2"</p>	<p><b>PART # IGR4390002</b> <b>20' X 3" IGR TUBE KIT</b></p> <p>(3) 59.5" x 2.75" Dia. Inner Tube (2) 59.5" x 2.95" Dia. Outer Tube (8) 3" Through Bolt with Nut (1) Drill Bit Max. finished length = 21' 3/4"</p>	<p><b>PART # IGR4390420</b> <b>20' X 4" IGR TUBE KIT</b></p> <p>(3) 59.5" x 3.75" Dia. Inner Tube (2) 59.5" x 4.0" Dia. Outer Tube (8) 4" Through Bolt with Nut (2) 3.75" Axle Bolt with Nut (2) 4" Aluminum Insert (2) 4" Resin Insert (1) Drill Bit Maximum length = 21' 3/4"</p>	<p><b>PART # IGR4390024</b> <b>24' X 4" IGR TUBE KIT</b></p> <p>(4) 68" x 3.75" Dia. Inner Tube (3) 68" x 4.0" Dia. Outer Tube (12) 4" Through Bolt with Nut (2) 3.75" Axle Bolt with Nut (2) 4" Aluminum Insert (2) 4" Resin Insert (1) Drill Bit Max. finished length = 25' 3/8"</p>
--	--	--	---	--

5. Positioning Your Solar Reel:  
For Rectangular pools, place Wheels at either end of pool. (See Fig. A)  
For Irregular shaped pools, place Stands at some convenient midway point. You will need to fold Blanket and allow Blanket to unroll in two directions. (See Fig. B)

Fig. A

**RECTANGULAR**

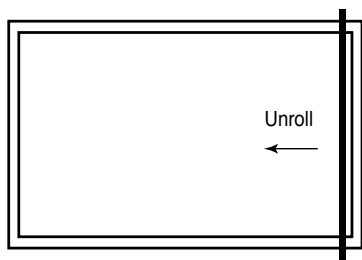
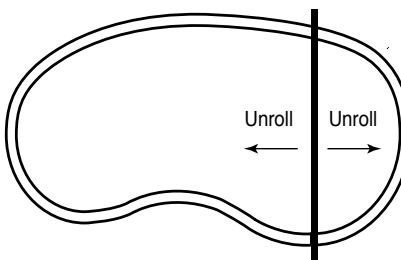


Fig. B

**IRREGULAR**

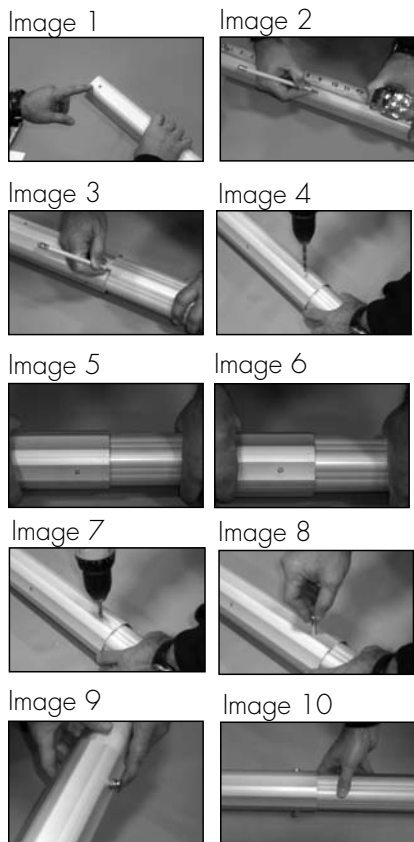


6. Trimming Your Solar Blanket:  

- Lay your Solar Blanket (not provided) on top of water. **IMPORTANT!** Irregular Shaped Pools will need to have their solar covers folded at point of placement of Stands! The cover will unroll left and right of Stands & cross pole. Please allow 6 inches more material on length to allow for a fold where straps will be attached for wind onto reel system. (See Fig. B above)
- With scissors trim blanket to fit shape of pool. Be sure to clear pool edge coping.

7. Assembling The Tube Kit:  
All Tube Sets consist of 6 sided Hexagon shaped aluminum tubing. There are two diameters of tubing, the smaller size nesting into the larger size. All Tube Kits Begin and End with Small Tubes. The Tube Insert Requires CAREFUL ALIGNMENT!

### TUBE KIT ASSEMBLY:

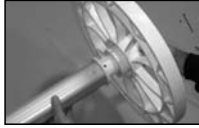


- All tube kits consist of hexagon shaped aluminum tubing. There are two diameters of tubing; the smaller diameter will insert into the larger diameter.
- Determine length of tube required for your installation. Note maximum finished length per tube kit size listed above (in Step 4).  
*Please note: Smaller diameter tube will be used on both ends of the reel and will connect to the base unit. Two of the smaller diameter tubes will have predrilled axle bolt holes on one end. The pre-drilled end will be connected to the base unit. (Image 1)*
- Loosely assemble tubes together to match the desired length for your installation, evenly dividing the excess at each connection. Note that the smaller diameter tube must be inserted a minimum of 9" into the larger diameter tube at each connection. Tip: Measure in 9" from end of smaller diameter tube and make a mark with a pencil. (Image 2) The tube must be inserted at least to your pencil mark. It is ok if tube is inserted more than 9", but not less.
- Once you determine length and have proper spacing of tubes, mark each tube at the connection point for reference. (Image 3) This will eliminate the need to re-measure if your tubes get moved during the remainder of the installation process.
- Each connection will be fastened together with the through bolts supplied in your tube kit. Use the pre-drilled holes in the larger diameter tube as a guide to drill the smaller inner tube. (Image 4) Twist tubing to remove excess play prior to drilling holes. (Image 5 - Before Twisting, Image 6 - After Twisting) (Fig. C on last page) Drill from each side with the drill bit supplied. (Image 7)
- Fasten with 2 bolts and nuts at each connection. (Image 8, Image 9, Image 10)

Image 11



Image 12



### 3" DIAMETER TUBE KITS:

(If you purchased a 4" diameter tube kit, go to 4" diameter tube kit instructions below)

- a. Attach tube assembly to base unit.
- b. The resin tube insert must be inserted into the end of the tube. (Image 11)
- c. Insert Crank handle through the base unit and into the tube insert. (Image 12) Be sure to align axle hole.
- d. Fasten tube to base unit using the 2.83" axle bolt that is packaged with your base kit. (Image 13)
- e. Repeat same procedure on opposite end.

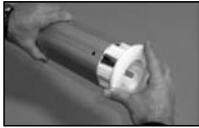
Image 13



Image 14



Image 15



### 4" DIAMETER TUBE KITS:

Note: The 4" tube kit is packaged with two metal inserts and two resin inserts. See pictures of each. (Image 14) You will use the large resin inserts for your installation.

- a. The metal inserts and small resin inserts that were packaged with the base kit can now be discarded as they will not be used.
- b. The resin tube insert must be inserted into the end of the tube. (Image 15)
- c. Insert Crank handle through the base unit and into the tube insert. Be sure to align axle hole. (Image 16)
- d. Fasten tube to base unit using the 3.75" axle bolt that is packaged with your tube kit. (Image 17) Note: the 2.83" axle bolt that is packaged with your base kit can be discarded as it will not be used.
- e. Repeat same procedure on opposite end.

Image 16



Image 17



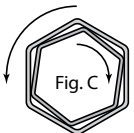
### 8. Attach Straps to Tubes:

Come in 6 inches from each tube end and attach a strap plate to the aluminum tube assembly. Use the self drilling screws on the drill line to attach the plate. Look at the holes that were pre-drilled at the factory and use the same drill line. There are 6 lines on each tube. Take the remaining strap plates and connect them evenly along the length of the tube assembly. Attach Straps to strap plate. (Fig. D)

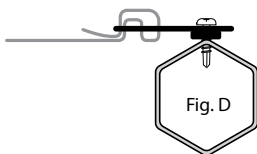
### 9. Attach Solar Blanket to Straps:

If Reel is to be placed at the end of the pool, attach cover to strap plate with plastic screw. (Fig. E) If Reel is to be placed in offset position, then attach cover to strap plate forming a fold to act like a hinge and the plastic screw will go through two layers of the solar blanket. (Fig. F)

Bubbles should face down.



Twist Tubing To Remove Excess Play Prior To Screwing Together.



Thread Strap as Shown

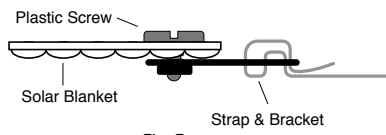


Fig. E

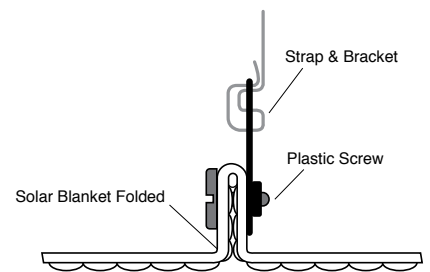


Fig. F

