

# SpaBrite® / AquaLight® Underwater Light Owner's Manual

## IMPORTANT SAFETY INSTRUCTIONS *READ AND FOLLOW ALL INSTRUCTIONS* SAVE THESE INSTRUCTIONS



### Table of Contents

SECTION I.	Installing Light Fixture During New Pool Construction .....	3
SECTION II.	Replacing Light Fixture in Existing Pool .....	4
SECTION III.	Replacing a Lamp Only .....	5
SECTION IV.	Technical Data .....	7
SECCIÓN I.	Instalación del accesorio portalámpara durante la construcción de una piscina nueva .....	11
SECTION I.	Installation de l'appareil d'éclairage lors de la construction d'une nouvelle piscine .....	19

### DANGER



#### Risk of Electrical Shock or Electrocution

This underwater light must be installed by a licensed or certified electrician in accordance with the National Electrical Code and all applicable local codes and ordinances. Improper installation will create an electrical hazard which could result in death or serious injury to pool users, installer, or others due to electrical shock, and may also cause damage to property. Read and follow the specific instructions below.

### WARNING

Before installing this underwater light, read and follow all warning notices and instructions accompanying this light. Failure to follow safety warnings and instructions can result in severe injury, death, or property damage. Call (800) 831-7133 for additional free copies of these instructions.

### Important Notice



Attention Installer.

This manual contains important information about the installation, operation and safe use of this product. This information should be given to the owner/operator of this equipment.

#### **Pentair Water Pool and Spa, Inc.**

1620 Hawkins Ave., Sanford, NC 27330 • (800) 831-7133 • (919) 566-8000  
10951 West Los Angeles Ave., Moorpark, CA 93021 • (800) 831-7133 • (805) 553-5000  
Visit [www.pentairpool.com](http://www.pentairpool.com) or [www.staritepool.com](http://www.staritepool.com)



**⚠ DANGER! Risk of Electrical Shock or Electrocution!**



This product must be installed by a licensed or certified electrician or a qualified pool serviceman in accordance with the National Electrical Code and all applicable local codes and ordinances. Improper installation will create an electrical hazard which could result in death --- or serious injury to pool users, installers or others due to electrical shock, and may also cause damage to property. Always disconnect the power to the pool light at the circuit breaker before servicing the light. Failure to do so could result in death or serious injury to serviceman, pool users or others due to electrical shock. **READ AND FOLLOW ALL INSTRUCTIONS IN THIS MANUAL.**

**⚠ WARNING — Important Safety Information for Pentair Niche and Light Installation**

- All Niche and Light installations must conform with all codes. If local codes mandate a cord seal, use Pentair plastic niches (P/N 79206600 and P/N 79206700).
- Under no circumstances replace lights by splicing wire under water or behind niche.

**⚠ WARNING — RISK OF ELECTRIC SHOCK AND INJURY.**

**USE ONLY THE INSTALLATION METHOD SPECIFIED BELOW.**

**Important Safety Information for Fountain Fixture Installations**

Location of Luminaire (Light) Use	Pentair Fountain Fixture* (P/N 560000 – P/N 560001) (P/N 560002 – P/N 560003)	Required Installation Method
Swimming Pool or Spa	Wet-Niche Swimming Pool (or Spa) Luminaire (Light)	Fixture Housing (Forming Shell) ONLY. <b>DO NOT USE</b> Fountain Fixture Stand.
Fountain	Wet-Niche Submersible Swimming Pool (or Spa) Luminaire (Light)	Fixture Housing (Forming Shell) or Fountain Fixture Stand.

**(\*) Note:** Wet-niche luminaires complying with requirements for both uses may bear both the Listed Wet-Niche Swimming Pool (or Spa) Luminaire UL Mark and the Listed Wet-Niche Submersible Luminaire UL Mark. A luminaire not bearing the corresponding UL Listing Mark is not considered by UL to have been produced under UL’s Listing and Follow-Up Service for the associated usage location.

**⚠ WARNING — THE LIGHT LENS MAY GET HOT WHEN IN USE. USERS SHOULD AVOID CONTACT WITH THE LIGHT AS SERIOUS BURNS MAY RESULT FROM PROLONGED CONTACT WITH THE LIGHT.**

© 2011 Pentair Water Pool and Spa, Inc. All rights reserved.

1620 Hawkins Ave., Sanford, NC 27330 • (800) 831-7133 • (919) 566-8000  
 10951 West Los Angeles Ave., Moorpark, CA 93021 • (800) 831-7133 • (805) 553-5000



**This document is subject to change without notice.**

**Trademarks and Disclaimers:** The Pentair Pool Products logo, Because reliability matters most, SpaBrite® and AquaLight® are registered trademarks of Pentair Water Pool and Spa, Inc. Other trademarks and trade names may be used in this document to refer to either the entities claiming the marks and names or their products. Pentair Water Pool and Spa, Inc. disclaims any proprietary interest in trademarks and trade names other than its own.

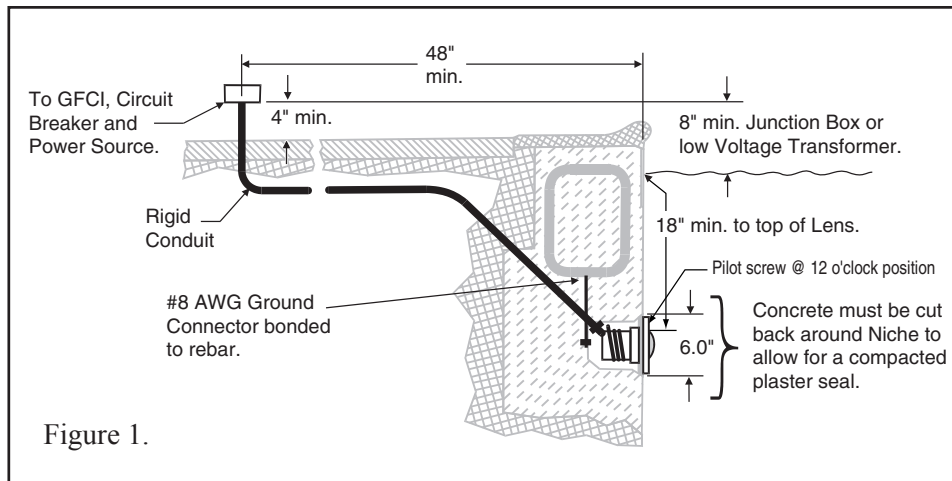
## Section I. Installing light fixture during new pool construction

A. The electrician must complete preparatory steps before light fixture is installed; see Figure 1.

1. Ensure that the pool meets the requirements of the current National Electrical Code and all local codes and ordinances. A licensed or certified electrician must install the electrical system to meet or exceed those requirements before the underwater light is installed.

Some of the requirements of the National Electrical Code which the pool's electrical system must meet are as follows:

- a. The lighting circuit must have a Ground Fault Circuit Interrupter (GFCI), and must have an appropriately rated circuit breaker.
- b. The Junction Box (or, for 12 volt models, the low voltage transformer) must be located at least eight (8) inches above water level, at least four (4) inches above ground level, and at least 48 inches from the edge of the pool; see Figure 1.
- c. The light fixture and all metal items within five (5) feet of the pool must be properly electrically bonded.
- d. The wet niche must be properly installed so the pilot screw hole is at the 12 o'clock position and that the top edge of the underwater light's lens is at least 18 inches below the surface of the water in the pool; see Figure 1.



### NOTE

The required orientation of all Pentair lights is with the pilot screw at the 12 o'clock position. This is guaranteed by proper niche installation.

- e. The wet niche must be properly electrically bonded and grounded via the No. 8 AWG ground connector located at the rear of the niche; see Figure 1.

### NOTE

The pool or spa electrical system can be verified with a Pool and Spa Electrical Qualification Test kit. The test kit is available from Pentair Water Pool and Spa, Inc. The electrical system inspection using this kit must be performed by trained and certified personnel.

2. To be certain that the pool's electrical system meets all applicable requirements, the electrician should also consult the local building department.
  3. Use only Pentair Water Pool and Spa® wet niches to insure proper bonding and grounding connections.
- B. Steps to perform after the electrical system requirements are met.
1. Feed cord through conduit to Junction box, leaving at least four (4) feet of cord at the light fixture to coil around the light; see Figure 1. This four (4) feet of cord around the light allows the light to be serviced after the pool is filled with water.
  2. Cut the cord at the Junction Box, leaving at least six (6) inches of cord to make connections.
  3. Strip six (6) inches of the outer cord jacket to expose the three insulated wires. Be careful not to damage the insulation on the three (3) inner wires.
  4. Connect all three (3) wires to the corresponding circuit wires in the Junction Box, and secure the Junction Box cover in place.

### ⚠ WARNING

Never operate this underwater light for more than 10 seconds unless it is totally submerged in water. Without total submersion, the light assembly will get extremely hot, which may result in serious burns or in breakage of the lamp or lens. This may result in serious injury to pool users, installers, or bystanders, or in damage to property.

5. Replace the light assembly into niche and tighten special pilot screw.

## **WARNING**

Use only the special pilot screw provided with this underwater light. This screw mounts and electrically grounds the housing securely to the mounting ring and wet niche. Failure to use the screw provided could create an electrical hazard which could result in death or serious injury to pool users, installers or others due to electrical shock.

6. Fill the pool until the underwater light is completely submerged in water before operating the light for more than 10 seconds. Turn on main switch or circuit breaker, as well as the switch which operates the underwater light itself, to check for proper operation.

## **Section II. Replacing light fixture in existing pool**

### **DANGER**

#### **Risk of Electrical Shock or Electrocution**



This underwater light must be installed by a licensed or certified electrician or a qualified pool serviceman in accordance with the National Electrical Code and all applicable local codes and ordinances. Improper installation will create an electrical hazard which could result in death or serious injury to pool users, installers or others due to electrical shock, and may also cause damage to property.

Always disconnect the power to the pool light at the circuit breaker before servicing the light. Failure to do so could result in death or serious injury to serviceman, pool users or others due to electrical shock.

#### **A. Before replacing the light fixture.**

1. Verify that the pool meets the requirements of the current National Electrical Code and all local codes and ordinances. A licensed or certified electrician must install the electrical system to meet or exceed those requirements before the underwater light is installed. Some of the requirements of the National Electrical Code which the pool's electrical system must meet are as follows:
  - a. The lighting circuit must have a Ground Fault Circuit Interrupter (GFCI), and must have an appropriately rated circuit breaker.
  - b. The Junction Box (or, for 12 volt models, the low voltage transformer) must be located at least 8 inches above ground or water level, at least four (4) inches above ground level, and at least 48 inches from the edge of the pool; see Figure 1.
  - c. The light fixture and all metal items within 5 feet of the pool must be properly electrically bonded.
  - d. The wet niche must be properly installed so that the top edge of the underwater light's lens is at least 18 inches below the surface of the water in the pool; see Figure 1.
  - e. The wet niche must be properly electrically bonded and grounded via the No. 8 AWG ground connector located at the rear of the niche; see Figure 1.

#### **NOTE**

The pool or spa electrical system can be verified with a Pool and Spa Electrical Qualification Test Kit. The test kit is available from Pentair Water Pool and Spa. The electrical system inspection using this kit must be performed by trained and certified personnel.

2. To be certain that the pool's electrical system meets all applicable requirements, the electrician should also consult the local building department.
3. Use only Pentair Water Pool and Spa wet niches to insure proper bonding and grounding connections.

#### **B. Replacing the light fixture after electrical system requirements are met.**

### **WARNING**

Failure to bring the pool's electrical system up to code requirements before installing the underwater light will create an electrical hazard which could result in death or serious injury to pool users, installers, or others due to electrical shock, and may also cause damage to property.

1. Turn off main electrical switch or circuit breaker, as well as the switch which operates the underwater light itself.
2. To remove the light assembly, remove the special pilot screw at top of the face ring, remove the light assembly from the niche, and place the assembly on the deck.

## **WARNING**

Be sure to keep the special pilot screw from this underwater light. This screw mounts and electrically grounds the housing securely to the mounting ring and wet niche. Failure to use the screw provided could create an electrical hazard which could result in death or serious injury to pool users, installers or others due to electrical shock.

3. Remove Junction Box cover, disconnect the light fixture wires, and pull the cord through the conduit.
4. Feed the new light fixture cord through the conduit from the niche to the Junction Box.

## **NOTE**

Depending on the length of the conduit, special tools may be required to pull the cord through the conduit.

5. Leave at least 4 feet of cord to coil around the light fixture; see Figure 1. This 4 feet of cord coiled around the light allows the light to be serviced after the pool is filled with water.
6. Cut the cord at the Junction Box, leaving at least 6 inches of cord to make connections.
7. Strip 6 inches of the outer cord jacket from the cord to expose the three insulated wires--be careful not to damage the insulation on the three inner wires.
8. Connect all three wires to the corresponding circuit wires in the Junction Box, black wire to power, white wire to common, and green wire to ground, and secure the Junction Box cover in place.

## **WARNING**

Use only the special pilot screw provided with this underwater light. This screw mounts and electrically grounds the housing securely to the mounting ring and wet niche. Failure to use the screw provided could create an electrical hazard which could result in death or serious injury to pool users, installers or others due to electrical shock.

9. Replace light assembly into niche and tighten special pilot screw.

## **WARNING**

Never operate this underwater light for more than 10 seconds unless it is totally submerged in water. Without total submersion, the light assembly will get extremely hot, which may result in serious burns or in breakage of the lamp or lens. This may result in serious injury to pool users, installers, or bystanders, or in damage to property.

10. Fill the pool until the underwater light is completely submerged in water before operating the light for more than 10 seconds. Turn on main switch or circuit breaker, as well as the switch which operates the underwater light itself, to check for proper operation.

### **Section III. Replacing a lamp only**

## **DANGER**



Always disconnect power to the pool light at the circuit breaker before servicing the light. Failure to do so could result in death or serious injury to installer, serviceman, pool users or others due to electrical shock.

- A. Turn off main electrical switch or circuit breaker, as well as the switch which operates the underwater light itself.
- B. You will need the following items:
  1. A new lens gasket (part number 79108600).
  2. A lamp, refer to Table 1 for the correct type and wattage.

## **WARNING**

Replace lamp with a similar type and wattage. Failure to replace lamp with the same type of lamp will damage the light assembly and may cause an electrical hazard resulting in death or serious injury to pool users, installers, or others due to electrical shock, and may also cause damage to property.

## **WARNING**

Always install a new lens gasket (part number 79108600) whenever disassembling the light. Failure to do so may permit water to leak into the assembly which could cause:

- (a) An electrical hazard resulting in death or serious injury to pool users, installers, or others due to electrical shock.; or,
- (b) breakage of the lamp or lens, which likewise could result in serious injury to pool users, installers, or bystanders, or in damage to property.

- C. To remove light assembly, remove the special pilot screw at top of face ring, remove light assembly from niche, and place assembly on deck.

## ⚠ WARNING

Be sure to keep the special pilot screw from this underwater light. This screw mounts and electrically grounds the housing securely to the mounting ring and wet niche. Failure to use the screw provided could create an electrical hazard which could result in death or serious injury to pool users, installers or others due to electrical shock.

- D. Disassemble light fixture and remove bulb. Remove and discard old gasket.
- E. Install new gasket during reassembly of light, Pentair Water Pool and Spa part number 79108600.
- F. Select the replacement bulb from Table 1.
1. For AquaLight of 100 watt and 250 watt; see Figures 2-3.
  2. Squeeze wire form at rounded ends until the wire comes together and forms a diamond shape opening; see Figures 2-3.

### Lamp Specifications:

### 12\* volt Models

120 volt - 250 watt - T-4 lamp**	75 watt
120 volt - 100 watt - T-4 lamp**	100 watt
120 volt - 60 watt - PAR 16 lamp***	*Transformer required
12 volt - 100 watt - R-20 lamp***	
12 volt - 75 watt - MR-16 lamp**	

### 120 volt Models

** AquaLight - *** SpaBrite Table 1.	60 watt, 100 watt 250 watt
---	-------------------------------

## IMPORTANT

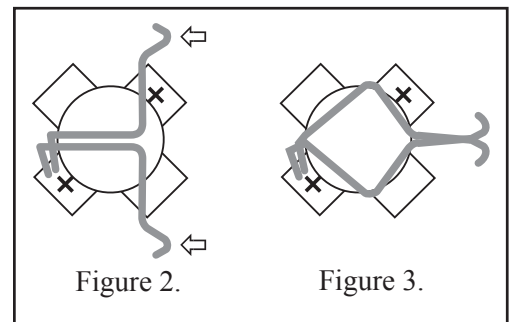
Be careful not to touch bulb with bare skin, as this will reduce the life of the bulb. Use the plastic wrapping of the new bulb, or a cloth to grasp the bulb.

3. While holding wire form in diamond shape, insert bulb through diamond opening and thread bulb into socket.

## ⚠ WARNING

Never operate the underwater light for more than 10 seconds unless it is totally submerged in water. Without total submersion, the light assembly will get extremely hot and may result in serious burns or in breakage of the lamp or lens. This may result in serious injury to pool users, installers, or bystanders, or in damage to property.

4. With the light resting on its base, place the gasket on top of the light shell. A NEW LENS GASKET MUST BE USED EACH TIME THE LIGHT IS REASSEMBLED. Locate the word "TOP" on the lens surface. Align the pilot screw on the face ring with the letter "O" in the word "TOP" and the arrow on the label marked, "Arrow on this label must line up with the pilot screw on the face ring."
  5. The semi-assembled light will now include the face ring and its new gasket properly aligned with the light shell. Place this light upside down on the old gasket, using the old gasket as an assembly fixture. This will keep the lens and gasket assembly from being pushed out of the face ring while you secure it to the light fixture.
- G. Secure the face ring to the light fixture. Sealing screws must be tightened in the following manner to ensure a proper seal.
1. For lights with chrome or brass face ring:
    - a. Partly tighten the screw at the 3 o'clock position, and then partly tighten the screw at the 9 o'clock position. Partly tighten the screw at another 'opposite' position, and then partly tighten the screw directly across from it.
    - b. Continue partly tightening all screws in the above sequence until all screws are evenly and securely tightened. Recommended 20 inch pounds torque.
  2. For lights with stainless steel face ring:
    - a. With the bent ends of the circular unitension clamp pointing down spread the clamp and place it in the "U" recesses of the locking levers. Ensure that the bent ends of the clamp are located between the pair of locking levers as shown in Figure 4, location A. Check to see that the clamp is properly engaged with all of the levers; see Figure 4.
    - b. Hold the ends of the unitension clamp together. Insert the bolt through one end of the bend end and then insert the other end through the other bent end and thread the bolt into the nut. Using a #3 Phillips head screwdriver tighten the screw and nut until the distance between the ends of the clamp equals ¼ inch or less, see Figure 5.

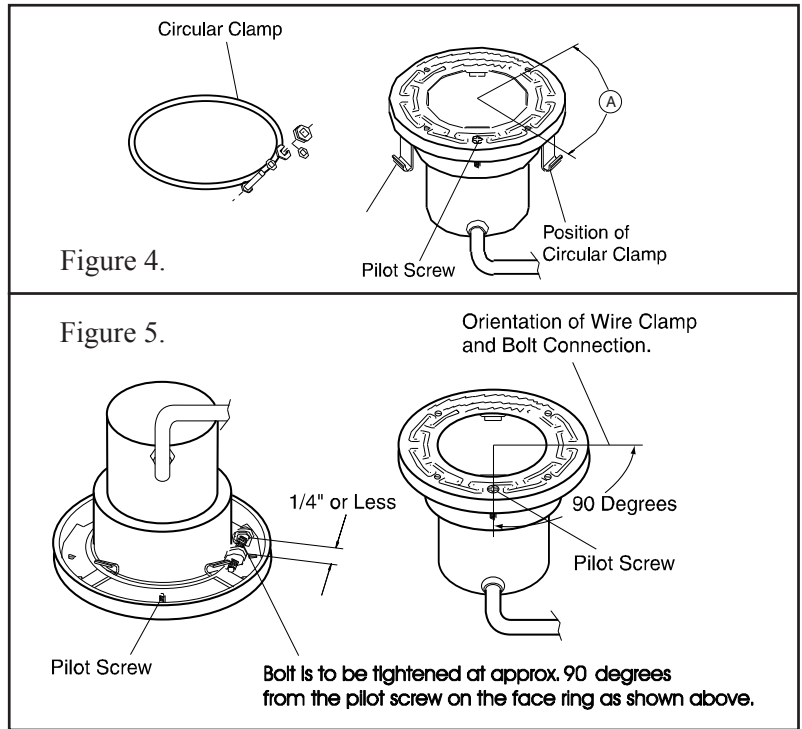


H. Replace the light assembly into the niche and tighten the special pilot screw.

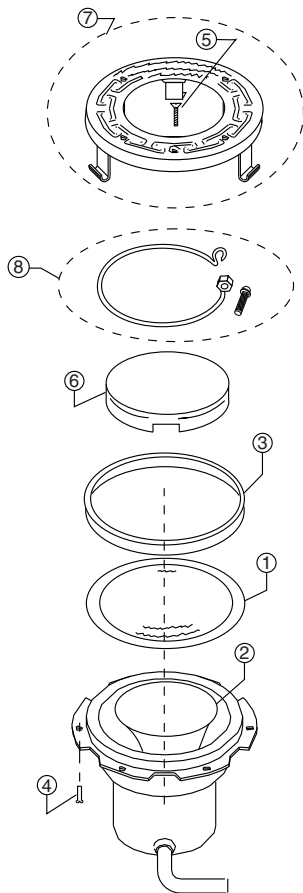
**⚠ WARNING**

Use only the special pilot screw provided with this underwater light. This screw mounts and electrically grounds the housing securely to the mounting ring and wet niche. Failure to use the screw provided could create an electrical hazard which could result in death or serious injury to pool users, installers or others due to electrical shock.

I. Fill pool until the underwater light is completely submerged in water before operating the light for more than 10 seconds. Turn on main switch or circuit breaker, as well as the switch which specifically operates the underwater light, to check for proper operation.



**Section IV. Replacement Parts**



Item No.	Part No.	Description
1	79107800	Lens, clear, 4 in. dia., tempered (12 volt SpaBrite, 120 volt / 12 volt AquaLight)
1	650086	Lens, clear, 4 in. dia., tempered (120 volt SpaBrite only)
2	650139Z	Bulb, 60W, 120VAC, PAR16 (SpaBrite)
2	79108100	Floodlamp, med. base, 100 watt, 12 volt, (SpaBrite)
2	79102900	100 watt halogen quartz screw base, (AquaLight)
2	79113800	250 watt halogen quartz screw base, (AquaLight)
2	79112400	Bulb, 75 watt, 12 volt, bi-pole, (AquaLight)
2	070517	Bulb, 100 watt, 120 volt, bayonet, (AquaLight)
2	79112700	Bulb, 250 watt, 120 volt, bayonet, (AquaLight)
3	79108500	Gasket, 4 in. dia. lens (12 volt SpaBrite only)
3	79108600	Gasket, silicone, 100 watt, 250 watt (AquaLight and 120 volt SpaBrite)
4	98208600	Screw, S/S 10-24 x 3/8 in., 6 required, for chrome-brass
5	79104800	Pilot Screw with captive gum washer, brass
5	619355	Pilot Screw with captive gum washer, S/S
6	79108900	Kwik-change color lens, red
6	79109000	Kwik-change color lens, blue
6	650015	Kwik-change color lens, magenta
6	650016	Kwik-change color lens, purple
6	650017	Kwik-change color lens, teal
6	650018	Kwik-change color lens, green
6	650019	Kwik-change color lens pack (5 colors)
7	79111600	Face Ring assy, S/S
8	79210400	Uni-tension wire assy., S/S with welded nut

**SAVE THESE INSTRUCTIONS**

© 2011 Pentair Water Pool and Spa, Inc. All rights reserved.

1620 Hawkins Ave., Sanford, NC 27330 • (800) 831-7133 • (919) 566-8000  
10951 West Los Angeles Ave., Moorpark, CA 93021 • (800) 831-7133 • (805) 553-5000

**This document is subject to change without notice.**





IMPORTANTES INSTRUCCIONES DE SEGURIDAD  
LEA Y SIGA TODAS LAS INSTRUCCIONES  
GUARDE ESTAS INSTRUCCIONES



Índice

SECCIÓN I. Instalación del accesorio portalámparas durante la construcción de una piscina nueva..... 11  
SECCIÓN II. Cambio del accesorio portalámparas en una piscina ..... 12  
SECCIÓN III. Cambio de la bombilla (foco) únicamente ..... 14  
SECCIÓN IV. Desglose de las partes ..... 16

**⚠ PELIGRO**



**Riesgo de choque eléctrico o electrocución**

Esta lámpara subacuática debe ser instalada por un electricista con certificado de aptitud con el Código Eléctrico Nacional (EE. UU.) y todos los códigos y reglamentos locales respectivos. La instalación inadecuada creará un riesgo eléctrico que podría resultar en la muerte o en lesiones graves a los usuarios de la piscina, a los instaladores o a otras personas debido a un choque eléctrico, y también podría causar daños a la propiedad. Lea y siga las instrucciones específicas que aparecen abajo.

**⚠ ADVERTENCIA**

Antes de instalar esta lámpara subacuática, lea y siga todas las advertencias e instrucciones adjuntas. No apegarse a los avisos de seguridad y a las instrucciones pudiera ocasionar una lesión grave, la muerte o daños a la propiedad. Favor de llamar al (805) 553-5000 para obtener ejemplares gratuitos de estos instructivos.

**AVISO IMPORTANTE**



Para información del instalador.

Este manual contiene información importante sobre la instalación, operación y uso en forma segura de este producto. Esta información debe dársele al dueño(a)/operador(a) de este equipo.

**Pentair Water Pool and Spa, Inc.**

1620 Hawkins Ave., Sanford, NC 27330 • (800) 831-7133 • (919) 566-8000  
10951 West Los Angeles Ave., Moorpark, CA 93021 • (800) 831-7133 • (805) 553-5000  
Visite [www.pentairpool.com](http://www.pentairpool.com) o [www.staritepool.com](http://www.staritepool.com)



**⚠ ¡PELIGRO! ¡Riesgo de Golpe Eléctrico o Electrocutación!**



Este producto debe ser instalado por un electricista certificado o licenciado o por un representante de servicio de manutención de piscinas calificado de acuerdo con el Código Nacional de Electricidad y todas las regulaciones y códigos locales aplicables. Una instalación inapropiada creará un peligro eléctrico que podría resultar en muerte — o lesiones graves a los usuarios de la piscina, instaladores u otras personas debido a un golpe eléctrico y puede causar daño a la propiedad. Siempre desconecte la fuente de poder de las luces de la piscina en la caja de fusibles antes de realizar un servicio de manutención de las luces. El no hacerlo de esta forma puede resultar en la muerte o lesiones serias al representante de servicios de manutención, usuarios de la piscina u otros debido a un golpe eléctrico. LEA Y SIGA TODAS LAS INSTRUCCIONES DE ESTE MANUAL.

**⚠ ADVERTENCIA — Importante información de seguridad para la instalación de luces y nichos Pentair**

- Todas las instalaciones de nichos y luces deben estar en conformidad con todos los códigos. Si un código local exige un sello para cable, utilice nichos plásticos Pentair (P/N 79206600 y P/N 79206700).
- Por ningun motivo reemplace luces empalmando cables bajo el agua o detrás del nicho.

**⚠ ADVERTENCIA — RIESGO DE GOLPE ELÉCTRICO Y LESIONES.**

**UTILICE SOLO EL MÉTODO DE INSTALACIÓN ESPECIFICADO MÁS ABAJO.**

**Importante información de seguridad para instalaciones de reflectores de fuentes**

Lugar de uso de Lámpara (Luz)	Reflector de Fuente Pentair* (P/N 560000 – P/N 560001) (P/N 560002 – P/N 560003)	Método de Instalación Requerido
Piscina o Spa	Lámpara (Luz) para Piscina (o Spa) con nicho impermeables	SÓLO carcasa de reflector (Casco de molde). <b>NO UTILIZAR</b> Soporte para reflector de fuente.
Fuente	Lámpara (Luz) para Piscina (o Spa) con nicho impermeable sumergible	Carcasa para reflector (Casco de molde) o soporte para reflector de fuente.

(\* Nota: Las lámparas de nicho impermeable que cumplen con los requisitos para ambos usos, pueden llevar ya sea la marca de certificación UL para Lámparas listadas para piscinas (Spa) de nicho impermeable, como la marca de certificación UL para Lámparas listadas de nicho impermeable sumergible. Una Lámpara que no lleva la marca de Listado UL correspondiente, no es considerada por UL como fabricada bajo el Listado y Servicio de Seguimiento UL para el lugar de uso asociado.

**⚠ ADVERTENCIA — El lente de la luz pueden calentarse durante su uso. Los usuarios deben evitar contacto con la luz como quemaduras graves pueden resultar del contacto prolongado con el LUZ.**

© 2011 Pentair Water Pool and Spa, Inc. Todos los derechos reservados.

1620 Hawkins Ave., Sanford, NC 27330 • (800) 831-7133 • (919) 566-8000

10951 West Los Angeles Ave., Moorpark, CA 93021 • (800) 831-7133 • (805) 553-5000

Este documento está sujeto a cambios sin previo aviso.

**Marcas registradas y exenciones de responsabilidad:** El logo de Pentair Pool Products, Because reliability matters most, SpaBrite y AquaLight son marcas registradas de Pentair Water Pool and Spa Inc. Otras marcas registradas y nombres registrados pueden ser utilizados en este documento para hacer referencia a ya sea las entidades que poseen las marcas y nombres de sus productos. Pentair Water Pool and Spa Inc. renuncia a cualquier interés de propiedad en marcas registradas que sean distintas a las que posee.

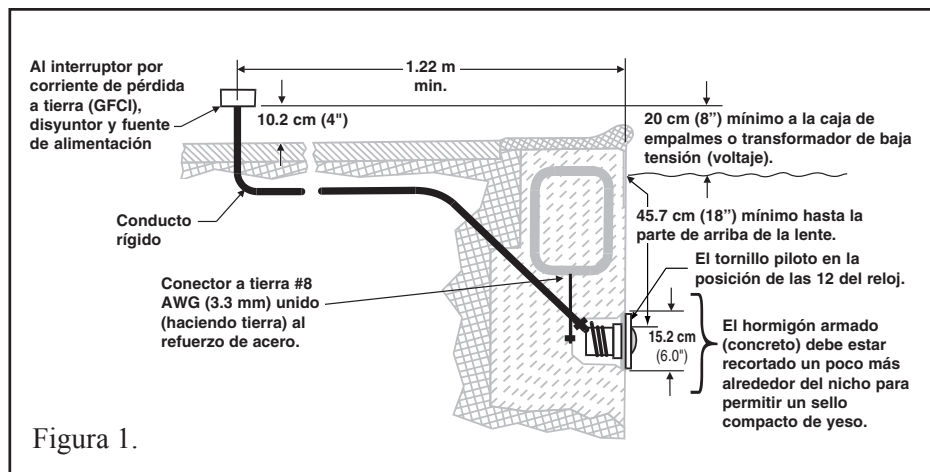


## Sección I. Instalación del accesorio para lámpara durante la construcción de una piscina nueva.

A. Antes de instalar el accesorio portalámparas, el electricista debe haber completado los siguientes pasos de preparación, ver la figura 1.

1. Verifique que la piscina cumpla con todos los requisitos del Código Eléctrico Nacional vigente y con todos los códigos y reglamentos locales. Antes de instalar la luz subacuática, un electricista con certificado de aptitud debe instalar el sistema eléctrico para que cumpla o sobrepase dichos requisitos. Algunos de los requisitos del Código Eléctrico Nacional que debe satisfacer el sistema eléctrico de la piscina son los siguientes.

- a. El circuito de alumbrado debe tener un interruptor de circuito de pérdida a tierra (*Ground Fault Circuit Interrupter, GFCI*), y un disyuntor clasificado correctamente.
- b. La caja de conexiones (o, para los modelos de 12 voltios, el transformador de bajo voltaje) debe estar colocada al menos a 20 centímetros (8 pulgadas) sobre el nivel del agua y debe estar colocada al menos a 10 centímetros (4 pulgadas) sobre el nivel de tierra al menos un metro veintidós centímetros (48 pulgadas) del borde de la piscina, vea la figura 1.
- c. El sujetador de la lámpara y todos los artículos metálicos que estén a menos de 1.5 metros (5 pies) de distancia tienen que estar unidos eléctricamente en la forma correcta.
- d. El nicho en húmedo debe estar correctamente instalado de manera que el tornillo piloto se encuentre en la posición de las 12 del reloj y que el borde superior del lente de la lámpara subacuática se encuentre a un mínimo de 45.7 cm (18 pulgadas) por debajo de la superficie del agua de la piscina; vea la figura 1.



### NOTA

La orientación requerida para todas las lámparas Pentair es con el tornillo piloto en la posición de las 12 del reloj. Esto es garantizado por la instalación correcta del nicho.

- e. El nicho mojado está unido eléctricamente en la forma correcta y conectado a tierra a través del conector a tierra Núm. 8 AWG (3.3 mm) ubicado en la parte trasera del nicho, vea la figura 1.

### NOTA:

El sistema eléctrico de la piscina o bañera de hidromasaje (spa) se puede verificar con un Pool and Spa Electrical Qualification Test Kit (Juego de Prueba para Calificar Piscinas y Bañeras de Hidromasaje). Puede obtener este estuche para pruebas en Pentair Water Pool and Spa. La inspección del sistema eléctrico utilizando el juego arriba indicado tiene que realizarse por personal certificado y capacitado para ello.

2. Para estar seguro de que el sistema eléctrico de la piscina satisface todos los requisitos aplicables, el electricista también deberá consultar al departamento de construcciones de la localidad.
3. Use únicamente los nichos para inmersión en el agua de Pentair Water Pool and Spa para cerciorarse de que la unión eléctrica y la conexión a tierra queden exactas.

B. Pasos que deben realizarse después de haber satisfecho los requisitos del sistema eléctrico.

1. Pasar el cordón a través del tubo para paso de cables eléctricos a la caja de conexiones, dejar un mínimo de 1.22 metros (4 pies) de cable en el portalámparas para enrollar alrededor de la luz; ver figura 1. Este metro y veintidós centímetros (4 pies) de cable alrededor de la luz permitirán darle servicio cuando la piscina ya esté llena de agua.
2. Corte el cordón en la caja de empalmes, dejando por lo menos 15 cm (6 pulgadas) de cordón para hacer las conexiones.
3. Pele 15 cm (6 pulgadas) de la punta de la envoltura externa del cordón para poner al descubierto los tres alambres aislados — **tenga cuidado de no dañar el aislante de los tres alambres internos**.
4. Conecte los tres alambres a los hilos de conexión correspondientes en el circuito de la caja de conexiones y asegure la tapa de dicha caja en su lugar.

## ⚠ ADVERTENCIA

Nunca encienda esta lámpara subacuática durante más de 10 segundos a menos que esté completamente sumergida en el agua. Si la lámpara no está totalmente sumergida, el conjunto de sus componentes se pondrá sumamente caliente, lo cual podría causar quemaduras graves o la rotura de la lámpara o lente. Esto a su vez podría causar lesiones graves a los usuarios de la piscina, a los instaladores, a las personas que se encuentren cerca o en daños a la propiedad.

5. Vuelva a colocar los componentes de la lámpara en el nicho y apriete el tornillo piloto especial de acero inoxidable.

### **ADVERTENCIA**

Use solamente el tornillo guía especial proporcionado con esta lámpara subacuática. Este tornillo monta y conecta eléctricamente a tierra en forma segura la cubierta protectora al aro de montaje y al nicho para inmersión en agua. No usar el tornillo provisto podría ocasionar un peligro eléctrico que pudiera resultar en la muerte o lesión grave de los usuarios de la piscina, instaladores u otros debido a un choque eléctrico.

6. Llene la piscina hasta que la lámpara subacuática quede completamente sumergida en el agua antes de encender la luz durante más de 10 segundos. Encienda el interruptor principal o el disyuntor, así como también el interruptor que hace funcionar la lámpara subacuática, para verificar que esté funcionando adecuadamente.

## Sección II. Cambio del portalámparas en una piscina ya instalada

### **PELIGRO**

#### Riesgo de choque eléctrico o electrocución



Esta lámpara subacuática debe ser instalada por un electricista con certificado de aptitud con el Código Eléctrico Nacional (EE. UU.) y todos los códigos y reglamentos locales respectivos. La instalación inadecuada creará un riesgo eléctrico que podría resultar en la muerte o en lesiones graves a los usuarios de la piscina, a los instaladores o a otras personas debido a un choque eléctrico, y también podría causar daños a la propiedad.

Siempre desconecte la corriente eléctrica de la luz de la piscina en el disyuntor antes de darle servicio a la lámpara. El no hacerlo podría resultar en la muerte o en lesiones graves a la persona que esté dando servicio, a los usuarios de la piscina o a otras personas debido a un choque eléctrico.

#### A. Antes de cambiar el portalámparas:

1. Verifique que la piscina satisfaga los requisitos del Código Eléctrico Nacional vigente y todos los códigos y reglamentos de la localidad. Antes de instalar la lámpara subacuática, un electricista con certificado de aptitud debe instalar el sistema eléctrico para que cumpla o sobrepase dichos requisitos. Algunos de los requisitos del Código Eléctrico Nacional que el sistema eléctrico de la piscina tiene que cumplir son los siguientes.
  - a. El circuito de luz debe tener un interruptor del circuito de pérdida de tierra (*Ground Fault Circuit Interrupter, GFCI*), y tener un disyuntor clasificado correctamente.
  - b. La caja de conexiones (o, para los modelos de 12 voltios, el transformador de bajo voltaje ) debe estar colocada al menos a 20 centímetros (8 pulgadas) sobre el nivel del agua y debe estar colocada al menos a 10 centímetros (4 pulgadas) sobre el nivel de tierra al menos un metro veintidós centímetros (48 pulgadas) del borde de la piscina, ver figura 1.
  - c. El portalámparas y todos los artículos metálicos deben estar a menos de 1.5 metros (5 pies) de distancia de la piscina y deben estar unidos eléctricamente en la forma correcta.
  - d. El nicho para inmersión en agua está colocada en la piscina al menos a 45.7 cm (18 pulgadas) del borde superior del lente de la lámpara subacuática por debajo de la superficie del agua. Ver figura #1.
  - e. El nicho está unido eléctricamente en la forma correcta y conectado a tierra a través del conector a tierra Núm. 8 AWG ubicado en la parte trasera del nicho, ver figura 1.

#### **NOTA:**

El sistema eléctrico de la piscina o bañera de hidromasaje (spa) se puede verificar con un Pool and Spa Electrical Qualification Test Kit (Juego de Prueba para Calificar Piscinas y Bañeras de Hidromasaje). Estuche para efectuar Pruebas Este estuche para prueba se puede obtener en Pentair Water Pool and Spa. La inspección del sistema eléctrico utilizando el juego arriba indicado tiene que realizarse por personal certificado y capacitado para ello.

2. Para estar seguro de que el sistema eléctrico de la piscina satisface todos los requisitos aplicables, el electricista también deberá consultar al departamento de construcciones de la localidad.
3. Para cerciorares de que la unión eléctrica y la conexión a tierra queden correctas se deben usar únicamente nichos para inmersión en agua de Pentair Water Pool and Spa.

B. Cambio del accesorio para lámpara después de cumplir con los requisitos del sistema eléctrico.

 **ADVERTENCIA**

No asegurarse de que el sistema eléctrico de la piscina cumpla con los requisitos vigentes del código antes de instalar la lámpara subacuática creará un peligro eléctrico que podría resultar en la muerte o en una lesión grave de los usuarios de la piscina, instaladores, u otras personas debido a un choque eléctrico, y también podría causar daños a la propiedad.

1. Apague el interruptor eléctrico principal o el disyuntor, así como también el interruptor que opera la lámpara subacuática.
2. Para quitar los componentes de la lámpara, quite el tornillo guía especial en la parte superior del aro de la carátula, saque los componentes de la lámpara del nicho y colóquelos en la cubierta de la piscina.

 **ADVERTENCIA**

Asegúrese de guardar el tornillo guía especial de esta lámpara subacuática. Este tornillo monta y conecta eléctricamente a tierra en forma segura la cubierta protectora al aro de montaje y al nicho para inmersión en agua. No usar el tornillo proporcionado podría ocasionar un peligro eléctrico que pudiera ocasionar e la muerte o una lesión grave a los usuarios de la piscina, instaladores u otros debido a un choque eléctrico.

3. Quite la cubierta de la caja de conexiones, desconecte los cables del portalámparas y tire el cable a través del tubo para paso de cables eléctricos.
4. Pase el nuevo cable del portalámparas por el tubo para paso de cables eléctricos desde el nicho hasta la caja de conexiones.

**NOTA:**

Dependiendo de la longitud del tubo para paso de cables eléctricos, pudieran requerirse herramientas especiales para jalar el cable.

5. Dejar un mínimo de 1.22 metros (4 pies) de cable para enrollar alrededor de la luz; ver figura #1. Este metro y veintidós centímetros (4 pies) de cable alrededor de la luz permitirán darle servicio cuando la piscina ya esté llena de agua.
6. Corte el cable en la caja de conexiones, deje al menos 15 cm (6 pulgadas) de cordón para hacer las conexiones.
7. Pele 15 cm (6 pulgadas) de la punta de la envoltura externa del cordón para poner al descubierto los tres alambres aislados — tenga cuidado de no dañar el aislante de los tres alambres internos.
8. Conecte los tres alambres a los hilos de conexión correspondientes en el circuito de la caja de conexiones y asegure la tapa de dicha caja en su lugar. (El alambre negro a la fuente de alimentación, el blanco al común de masa y el verde a tierra) y fije la tapa de la caja de empalmes en su lugar.

 **ADVERTENCIA**

Use solamente el tornillo guía especial proporcionado con esta lámpara subacuática. Este tornillo monta y conecta eléctricamente a tierra en forma segura la cubierta protectora al aro de montaje y al nicho para inmersión en agua. No usar el tornillo provisto podría ocasionar un peligro eléctrico que pudiera resultar en la muerte o lesión grave de los usuarios de la piscina, instaladores u otros debido a un choque eléctrico.

9. Vuelva a colocar los componentes de la lámpara y apriete el tornillo guía especial.

 **ADVERTENCIA**

Nunca encienda esta lámpara subacuática por más de 10 segundos a menos que esté completamente sumergida en el agua. Si la lámpara no está totalmente sumergida, el conjunto de sus componentes, se pondrá sumamente caliente, lo cual podría causar quemaduras graves o la rotura de la lámpara o lente. Esto a su vez podría causar lesiones graves a los usuarios de la piscina, a los instaladores, a las personas que se encuentren cerca o en daños a la propiedad.

10. Antes de encender la luz por más de 10 segundos, debe llenar la piscina hasta que la lámpara subacuática quede completamente sumergida. Encienda el interruptor principal o el disyuntor, así como también el interruptor que hace funcionar la lámpara subacuática, para verificar que esté funcionando adecuadamente.

### Sección III. Cambio de la bombilla (foco) únicamente

#### **⚠ PELIGRO**



Siempre desconecte la corriente eléctrica de la luz de la piscina en el disyuntor antes de darle servicio a la lámpara. El no hacerlo podría resultar en la muerte o en lesiones graves al instalador, a la persona que esté dando servicio, a los usuarios de la piscina o a otras personas debido a un choque eléctrico.

1. Siempre apague el interruptor eléctrico principal o el disyuntor, así como también el interruptor que opera la lámpara subacuática.
2. Se necesita lo siguiente:
  - a. Un empaque nuevo para lente (número de parte 79108600).
  - b. Un foco, consultar el cuadro #1 para saber cual es el tipo y la potencia en vatios adecuados.

#### **Especificaciones de la lámpara**

120 voltios - 250 vatios - T-4 lámp\*\*  
120 voltios - 100 vatios - T-4 lámp\*\*  
120 voltios - 60 vatios - PAR 16 lámp\*\*\*  
12 voltios - 100 vatios - R-20 lámp\*\*\*  
12 voltios - 75 vatios - MR-16 lámp\*\*

\*\* AquaLight - \*\*\*SpaBrite  
Tabla 1.

#### **Modelos de 12\* voltios**

75 vatios  
100 vatios  
\*Se requiere transformador

#### **Modelos de 120 voltios**

60 vatio, 100 vatios  
250 vatios

#### **⚠ ADVERTENCIA**

Reemplace la lámpara por otra que sea del tipo y la potencia en voltios similar. Si no reemplaza la lámpara con otra del mismo tipo pudiera dañar sus componentes y podría causar un peligro eléctrico que pudiera ocasionar la muerte o lesiones graves a los usuarios de la piscina, instaladores, u otras personas debido a un choque eléctrico, y también podría causar daños a la propiedad.

#### **⚠ ADVERTENCIA**

Siempre que desarme la luz, póngale un empaque nuevo a la lente (número de parte 79108600) cada vez que desarme la luz. No hacerlo pudiera permitir la entrada el agua a los componentes, lo cual pudiera ocasionar:

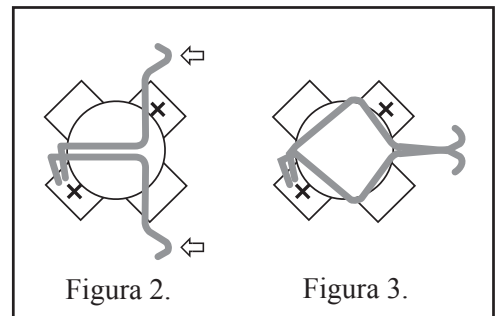
- (a) un peligro eléctrico que podría resultar en la muerte o en una lesión seria a los usuarios de la piscina, instaladores u otras personas debido a un choque eléctrico, o
- (b) la ruptura de la lámpara o lente que, en forma similar, podría resultar en una lesión seria a los usuarios de la piscina, lo que a su vez instaladores, personas cercanas, o daños a la propiedad.

3. Para quitar los componentes de la lámpara, quite el tornillo guía especial en la parte superior del aro de la carátula, saque los componentes de la lámpara del nicho y colóquelos en la cubierta de la piscina.

#### **⚠ ADVERTENCIA**

Asegúrese de guardar el tornillo guía especial de esta lámpara subacuática. Este tornillo monta y conecta eléctricamente a tierra en forma segura la cubierta protectora al aro de montaje y al nicho para inmersión en agua. No usar el tornillo proporcionado podría ocasionar un peligro eléctrico que pudiera ocasionar la muerte o una lesión grave a los usuarios de la piscina, instaladores u otros debido a un choque eléctrico.

4. Desarmar los componentes de la lámpara y quitar el foco (bombilla). Quite y deseche el empaque viejo (junta).
5. Instale el empaque nuevo al armar de nuevo la luz, el número de parte de Pentair Water Pool and Spa es el 79108600.
6. Seleccione el foco (bombilla) del cuadro 1.
  - a. Para la AquaLight de 100 vatios y de 250 vatios, vea las figuras 2 y 3.
  - b. Apriete el alambre formado como lo indican, vea la figura 3, hasta que el alambre se junte y forme una abertura en forma de diamante, vea la figura 3.
  - c. Mientras mantiene el alambre formando un diamante, vea la figura 3, inserte la bombilla a través de la abertura en forma de diamante y enrósquela en el portalámparas (zócalo).
  - d. Cerciórese de no tocar la bombilla con las manos desnudas, pues como lo indican reducirá la vida de la bombilla.



## ADVERTENCIA

Nunca encienda esta lámpara subacuática por más de 10 segundos a menos que esté completamente sumergida en el agua. Si la lámpara no está totalmente sumergida, el conjunto de sus componentes se pondrá sumamente caliente, lo cual podría causar quemaduras graves o la rotura de la lámpara o lente. Esto pudiera ocasionar lesiones graves a los usuarios de la piscina, a los instaladores, a las personas que se encuentren cerca o daños a la propiedad.

6. Fije el aro al lámpara. Los tornillos de sellado deben apretarse de la siguiente manera para asegurarse de un sellado adecuado;
  - a. Para las lámparas con carátula con aro de cromo o latón:
    - (1) Apriete parcialmente el tornillo que está en el lugar correspondiente a las 3 horas en punto y, después, apriete parcialmente el que se encuentra en la posición de las 9 horas. Apriete parcialmente el tornillo en otra posición «opuesta» y después apriete parcialmente el tornillo que está directamente al lado contrario del mismo.
    - (2) Continúe apretando parcialmente todos los tornillos en la secuencia de arriba hasta que todos los tornillos estén apretados en forma pareja y segura. (Se recomienda un par de torsión de 20 libras [9 kilos].)
  - b. Para las lámparas carátula con aro de acero inoxidable:

Coloque el tornillo y la tuerca a aproximadamente a 45 grados a la derecha del tornillo guía especial de acero inoxidable y de la tuerca en la abrazadera de unitensión hasta que la distancia entre las puntas de la abrazadera sea igual a 6 mm (1/4 de pulgada).

Vea los instructivos adjuntos para el armado del aro de carátula de acero inoxidable en la página 15.
7. Vuelva a colocar el conjunto de la lámpara en el nicho y apriete el tornillo piloto especial de acero inoxidable.

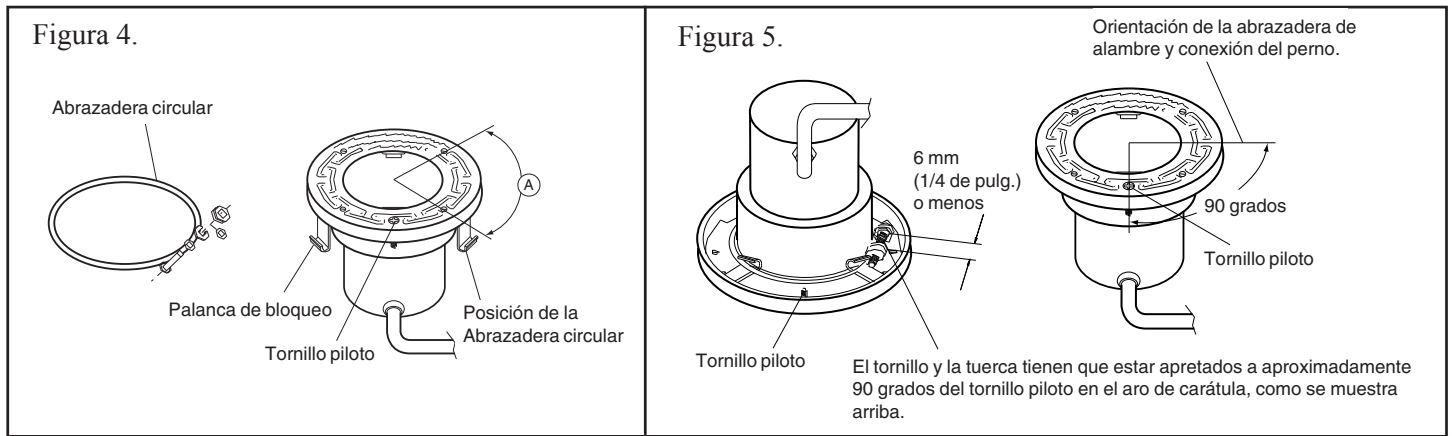
## ADVERTENCIA

Use solamente el tornillo piloto especial de acero inoxidable suministrado con esta lámpara subacuática. Este tornillo monta y conecta el bastidor a tierra en forma segura conectándolo al aro de montaje y al nicho mojado. El no usar el tornillo provisto podría causar un peligro eléctrico que a su vez podría resultar en la muerte o lesión grave de los usuarios de la piscina, instaladores u otros debido a un choque eléctrico.

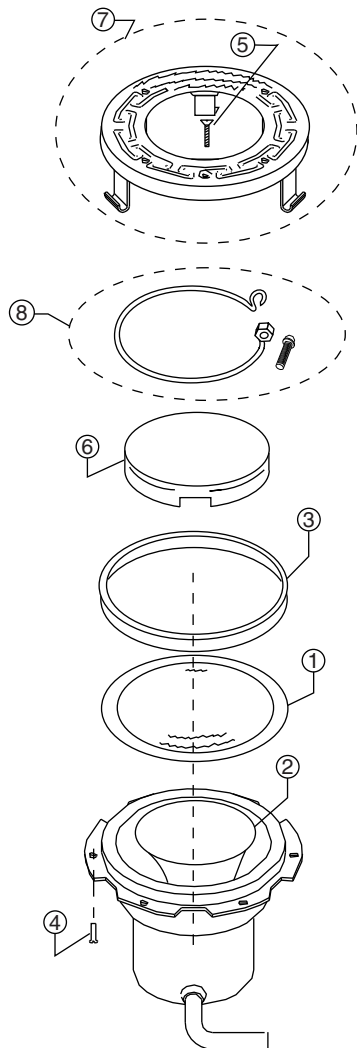
8. Llene la piscina hasta que la lámpara subacuática quede completamente sumergida en el agua antes de encender la luz durante más de 10 segundos. Encienda el interruptor principal o el disyuntor, así como también el interruptor de la lámpara subacuática, para verificar que esté funcionando adecuadamente.

### **Instrucciones para el armado del aro de carátula de acero inoxidable.**

1. Con la luz descansando sobre la base, coloque el encima del armazón de la luz, como se muestra. (Vea la figura 4.) **SE TIENE QUE USAR UN SE DEBE USAR UN EMPAQUE NUEVO PARA LA LENTE CADA VEZ QUE SE VUELVE A MONTAR LA LÁMPARA.** Localizar la palabra “TOP” en la superficie de la lente. Alinear el tornillo guía en la carátula del aro que tenga la letra “O” de la palabra “TOP” y la flecha de la etiqueta marcada, “La flecha en esta etiqueta debe tiene que estar alineada con el tornillo piloto en el aro de carátula.”
  - a. La luz semimontada ahora incluirá la carátula del aro y su nuevo empaque alineado con el armazón de la luz. Mantenga la lámpara hacia abajo sobre el empaque viejo, y usar éste como dispositivo para armar. Esto evitará que la lente y el empaque sean empujados fuera de la carátula del aro mientras es asegurado al portalámparas.
  - b. Con las puntas dobladas de la abrazadera circular de unitensión apuntando hacia abajo, abra la abrazadera y colóquela en las ranuras en «U» de las palancas de bloqueo. Cerciórese de que las puntas dobladas de la abrazadera estén ubicadas entre el par de palancas de bloqueo como se muestra en la figura 4, ubicación A. Verifique que la abrazadera esté empotrada adecuadamente con todas las palancas. Vea la figura 5.
  - c. Voltee la luz de tal manera que ahora esté descansando sobre la lente. Apriete el tornillo y la tuerca hasta que la distancia entre las puntas de la abrazadera sea igual a 6.4 mm (1/4 de pulgada) o menos (figura 5).



#### Sección IV. Desglose de las partes



Artículo No.	No. del Repuesto	Descripción
1	79107800	Lente, transparente, de 10 cm. (4 pulgadas) de diámetro, templada (12 voltios SpaBrite, 120 voltios / 12 voltios AquaLight)
1	650086	Lente, transparente, de 10 cm. (4 pulgadas) de diámetro, templada (120 voltios SpaBrite)
2	650139Z	Bombilla (foco), 60 vatios, 120 voltios, PAR 16, (SpaBrite)
2	79108100	Proyector, base med., 100 vatios, 12 voltios, (SpaBrite)
2	79102900	Base para atornillar de cuarzo halógeno de 100 vatios, (AquaLight)
2	79113800	Base para atornillar de cuarzo halógeno de 250 vatios, (AquaLight)
2	79112400	Bombilla (foco), 75 vatios, 12 voltios, bipolar, (AquaLight)
2	070517	Bombilla (foco), 100 vatios, 120 voltios, bayoneta
2	79112700	Bombilla (foco), 250 vatios, 120 voltios, bayoneta (AquaLight)
3	79108500	Empaque, lente de 10 cm (4 pulg.) de diámetro (12 voltios SpaBrite)
3	79108600	Empaque, silicona, 100 vatios, 250 vatios (AquaLight, 120 voltios SpaBrite)
4	98208600	Tornillo, acero inoxidable de 10-24 x 3/8 pulg. (9 mm), se necesitan 6, para latón-cromo
5	79104800	Tornillo guía con arandela de caucho cautiva, latón
5	619355	Tornillo guía con arandela de caucho cautiva, acero inoxidable
6	79108900	Lente de color Kwik-change, roja
6	79109000	Lente de color Kwik-change, azul
6	650015	Lente de color Kwik-change, magenta
6	650016	Lente de color Kwik-change, púrpura
6	650017	Lente de color Kwik-change, azul/verde
6	650018	Lente de color Kwik-change, verde
6	650019	Lente de color Kwik-change, paquete (5 colores)
7	79111600	Conjunto del aro de carátula, acero inoxidable
8	79210400	Conjunto del alambre de unitensión, de acero inoxidable con tuerca soldada

**GUARDE ESTAS INSTRUCCIONES**



# Notice d'emploi des lampes immergées SpaBrite® et AquaLight®

## CONSIGNES DE SÉCURITÉ IMPORTANTES PRIÈRE DE LIRE ET D'OBSERVER TOUTES LES CONSIGNES CONSERVER CETTE NOTICE



### Table des matières

SECTION I.	Installation de l'appareil d'éclairage lors de la construction d'une nouvelle piscine .....	19
SECTION II.	Remplacement de l'appareil d'éclairage d'une piscine existante .....	20
SECTION III.	Remplacement d'une ampoule uniquement .....	22
SECTION IV.	Nomenclature des pièces .....	24

### DANGER



#### Risque de choc électrique ou d'électrocution

Cette lampe immergée doit obligatoirement être installée par un électricien agréé ou breveté conformément au Code national de l'électricité et à tous les codes et ordonnances locaux applicables. Une installation incorrecte risque de créer un danger électrique pouvant provoquer le décès ou des dommages corporels graves pour les utilisateurs de la piscine, les installateurs ou d'autres personnes par suite d'un choc électrique et pouvant également entraîner des dégâts matériels. Prière de lire et d'observer les directives spécifiques ci-dessous.

### AVERTISSEMENT

Avant d'installer cette lampe immergée de Pentair Water Pool and Spa, prière de lire et de suivre tous les avertissements et instructions qui l'accompagnent. Toute infraction aux consignes de sécurité et d'emploi risque de provoquer blessures graves, décès ou dégâts matériels. Pour obtenir des exemplaires gratuits, prière de s'adresser au fournisseur local ou d'appeler Pentair Water Pool and Spa au (805) 553-5000.

### Avis important



À l'attention de l'installateur.

La présente notice contient des renseignements importants sur l'installation, le fonctionnement et l'utilisation de ce produit en toute sécurité. Prière de fournir ces informations au propriétaire et (ou) à l'opérateur de ce matériel.

#### **Pentair Water Pool and Spa, Inc.**

1620 Hawkins Ave., Sanford, NC 27330 • (800) 831-7133 • (919) 566-8000  
10951 West Los Angeles Ave., Moorpark, CA 93021 • (800) 831-7133 • (805) 553-5000  
Visitez le site [www.pentairpool.com](http://www.pentairpool.com) ou [www.staritepool.com](http://www.staritepool.com)



**⚠ DANGER! Risque de décharge électrique ou d'électrocution!**



Ce produit doit être installé par un électricien agréé ou qualifié ou un technicien spécialisé, conformément au Code National d'Electricité et à tous les codes et règlements locaux en vigueur. Toute mauvaise installation crée un danger électrique pouvant causer la mort ou des blessures graves - par décharge électrique - aux utilisateurs, aux installateurs ou à des tiers, et pouvant également provoquer des dégâts matériels. Avant de commencer l'entretien du luminaire, veuillez toujours couper le courant électrique du luminaire au niveau du disjoncteur. Le non-respect de cette consigne peut entraîner la mort ou des blessures graves par décharge électrique pour le technicien, les utilisateurs ou des tiers. **VEUILLEZ LIRE ET OBSERVER TOUTES LES CONSIGNES DE CE GUIDE.**

**⚠ AVERTISSEMENT — Importantes consignes de sécurité pour l'installation du luminaire et de la niche Pentair**

- Toutes les installations de niche et de luminaire doivent être faites conformément à tous les codes. Si les codes locaux exigent un joint d'étanchéité à cordon, veuillez utiliser les niches en plastique Pentair (P/N 79206600 et P/N 79206700).
- Ne tenter en aucun cas de remplacer les luminaires en épissant les câbles sous l'eau ou derrière la niche.

**⚠ AVERTISSEMENT — RISQUE DE DÉCHARGE ÉLECTRIQUE OU DE BLESSURE. UTILISEZ UNIQUEMENT LA MÉTHODE D'INSTALLATION SPÉCIFIÉE CI-DESSOUS.**

**Importantes consignes de sécurité pour l'installation d'un appareil d'éclairage pour fontaine**

Emplacement/Utilisation du Luminaire (lumière)	Luminaire pour Fontaine Pentair* (P/N 560000 – P/N 560001) (P/N 560002 – P/N 560003)	Méthode d'Installation Requise
Piscine ou spa	Luminaire (lumière) pour niche étanche pour piscine (ou spa)	Bâti de luminaire (coque) SEULEMENT. <b>NE PAS UTILISER</b> le support pour fontaine.
Fontaine	Luminaire (lumière) pour niche submersible de pour piscine (ou spa)	Bâti de luminaire (coque) ou support luminaire pour fontaine.

(\*) **Remarque :** Les luminaires pour niches étanches se conformant aux règlements pour les deux applications peuvent porter la marque UL listée pour les luminaires pour niches étanches pour piscine (ou spa) ainsi que pour les luminaires pour niches submersibles. Un luminaire ne portant pas la marque UL listée correspondante n'est pas considéré comme ayant été produit conformément aux normes de la marque UL listé et au service de suivi de la production UL pour cet emplacement.

**⚠ AVERTISSEMENT — La lumière peut devenir chaud pendant l'utilisation. Les utilisateurs doivent éviter contact avec la lumière comme Burns sérieuse peut résulter d'un contact prolongé avec la lumière.**

© 2011 Pentair Water Pool and Spa, Inc. Tous droits réservés.

1620 Hawkins Ave., Sanford, NC 27330 • (800) 831-7133 • (919) 566-8000

10951 West Los Angeles Ave., Moorpark, CA 93021 • (800) 831-7133 • (805) 553-5000

Ce document est sujet à tous changements sans préavis.

**Marques de commerce et avis de non-responsabilité :** Le logo de Pentair Pool Products, Because reliability matters most, SpaBrite et AquaLight sont des marques de commerce de Pentair Water Pool and Spa, Inc. Les autres marques ou dénominations commerciales utilisées dans ce document pour faire référence aux entités se réclamant de ces marques ou dénominations ou à leurs produits sont la propriété de leurs détenteurs respectifs. Pentair Water Pool and Spa, Inc. déclare n'avoir aucun intérêt dans les marques et noms de produits autres que les siens.



## Section I. Installation de l'appareil d'éclairage lors de la construction d'une nouvelle piscine

A. Avant que l'appareil d'éclairage ne puisse être installé, l'électricien devra procéder aux préparatifs suivants, cf. figure 1 ci-dessous.

1. S'assurer d'abord que la piscine est conforme aux spécifications courantes du Code national de l'électricité et de tous les codes et ordonnances locaux. Avant que la lampe immergée ne puisse être installée, il faut qu'un électricien agréé ou breveté installe un circuit électrique qui soit conforme à ces spécifications ou qui les dépasse. Certaines des spécifications du Code national de l'électricité applicables aux circuits électriques des piscines sont indiquées ci-dessous. Vérifier ainsi que :

- a. Le circuit d'éclairage comporte un interrupteur à détection de courant de terre (GFCI) et un disjoncteur du calibre approprié.
- b. La boîte de dérivation (ou, pour les modèles de 12 volts, le transformateur basse tension) est située à au moins 20 cm (8 pouces) au-dessus du niveau du sol et à au moins 1,22 m (48 pouces) du bord de la piscine, cf. figure 1 ci-dessous.
- c. L'appareil d'éclairage et tous les éléments métalliques situés à moins de 1,5 m (5 pieds) de la piscine comportent des joints électriques appropriés.
- d. La niche submersible doit être installée convenablement, de telle manière que le trou de la vis soit à 12 heures et que le rebord supérieur de la lentille du luminaire soit à une profondeur d'au moins 45,7 cm (18 pouces) au-dessous de la surface de l'eau dans la piscine, cf. figure 1 ci-dessous.

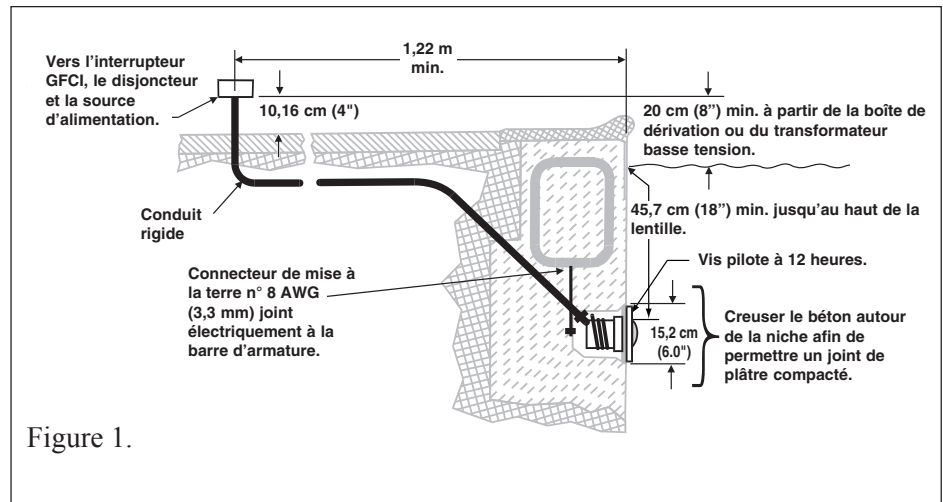


Figure 1.

### REMARQUE

La position requise de tous les luminaires Pentair est d'avoir la vis pilote à 12 heures. Ceci est garanti par l'installation correcte de la niche.

- e. La niche immergée comporte des joints électriques appropriés et est convenablement reliée à la terre au moyen du connecteur de terre n° 8 AWG (3,3 mm) situé à l'arrière de la niche, cf. figure 1.

### REMARQUE :

Le circuit électrique peut être vérifié au moyen d'un kit d'essai de qualification électrique pour piscines et bains tourbillon, kit disponible auprès de Pentair Water Pool and Spa. L'inspection du circuit au moyen du kit en question doit être réalisée par un personnel breveté et bien formé.

2. Pour s'assurer que le circuit électrique de la piscine est conforme à toutes les spécifications applicables, l'électricien devra aussi consulter le service de construction local.
  3. Pour réaliser une connexion à la terre et des joints électriques satisfaisants, n'utiliser que des niches immergées de Pentair Water Pool and Spa.
- B. Une fois le circuit électrique installé conformément aux spécifications, procéder comme suit :
1. Acheminer le cordon à travers le conduit jusqu'à la boîte de dérivation en laissant au moins 1,22 m (4 pieds) à enrouler autour de la lampe au niveau de l'appareil d'éclairage, cf. figure 1. Ce mètre vingt-deux permet de procéder au remplacement de la lampe une fois la piscine remplie d'eau.
  2. Couper le cordon au niveau de la boîte de dérivation en laissant au moins 15 cm (6 pouces) pour les raccordements.
  3. Couper la gaine extérieure du cordon sur 15 cm (6 pouces) afin de mettre à nu les trois conducteurs internes isolés en veillant à ne pas endommager leur isolement.
  4. Raccorder les trois conducteurs aux fils correspondants du circuit électrique dans la boîte de dérivation et refermer solidement le couvercle de cette dernière.

## **AVERTISSEMENT**

À moins qu'elle ne soit totalement immergée dans l'eau, ne jamais utiliser cette lampe pendant plus de 10 secondes, car elle atteindrait alors des températures excessives susceptibles de provoquer des brûlures graves ou de casser l'ampoule ou la lentille et d'entraîner par là des blessures graves pour les utilisateurs de la piscine, les installateurs ou d'autres personnes, ou encore des dégâts matériels.

5. Remettre l'ensemble lampe dans la niche et serrer la vis de guide spéciale en acier inoxydable.

## **AVERTISSEMENT**

N'utiliser que la vis de guide spéciale en acier inoxydable livrée avec cette lampe immergée. Cette vis fixe solidement le logement à la bague de montage et à la niche immergée et assure la mise à la terre. L'emploi de toute autre vis risque de créer un danger électrique pouvant provoquer le décès ou des dommages corporels graves pour les utilisateurs de la piscine, les installateurs ou d'autres personnes par suite d'un choc électrique.

6. Ne pas utiliser la lampe pendant plus de 10 secondes avant que la piscine ne soit suffisamment remplie pour que la lampe soit totalement immergée dans l'eau. Mettre alors en marche l'interrupteur ou le disjoncteur principal ainsi que l'interrupteur de commande de la lampe afin d'en vérifier le bon fonctionnement.

## **Section II. Remplacement de l'appareil d'éclairage d'une piscine existante**

### **DANGER**

#### **Risque de choc électrique ou d'électrocution**



Cette lampe immergée doit obligatoirement être installée par un électricien agréé ou breveté ou par un technicien qualifié dans la maintenance des piscines conformément au Code national de l'électricité et à tous les codes et ordonnances locaux applicables. Une installation incorrecte risque de créer un danger électrique pouvant provoquer le décès ou des dommages corporels graves pour les utilisateurs de la piscine, les installateurs ou d'autres personnes par suite d'un choc électrique et pouvant également entraîner des dégâts matériels.

Sous peine de provoquer le décès ou des blessures graves pour le préposé à l'entretien, les utilisateurs de la piscine ou d'autres personnes par suite d'un choc électrique, veiller à toujours déconnecter la lampe de la piscine du secteur au niveau du disjoncteur avant de procéder au remplacement de la lampe.

#### **A. Avant de remplacer l'appareil d'éclairage.**

1. S'assurer d'abord que la piscine est conforme aux spécifications courantes du Code national de l'électricité et de tous les codes et ordonnances locaux. Avant que la lampe immergée ne puisse être installée, il faut qu'un électricien agréé ou breveté installe un circuit électrique qui soit conforme à ces spécifications ou qui les dépasse. Certaines des spécifications du Code national de l'électricité applicables aux circuits électriques des piscines sont indiquées ci-dessous. Vérifier ainsi que :
  - a. Le circuit d'éclairage comporte un interrupteur à détection de courant de terre (GFCI) et un disjoncteur du calibre approprié.
  - b. La boîte de dérivation (ou, pour les modèles de 12 volts, le transformateur basse tension) est située à au moins 20 cm (8 pouces) au-dessus du niveau du sol et à au moins 1,22 m (48 pouces) du bord de la piscine, cf. figure 1.
  - c. L'appareil d'éclairage et tous les éléments métalliques situés à moins de 1,5 m (5 pieds) de la piscine comportent des joints électriques appropriés.
  - d. La niche immergée est correctement installée de manière à ce que le bord supérieur de la lentille de la lampe soit à au moins 45,7 cm (18 pouces) au-dessous de la surface de l'eau dans la piscine, cf. figure 1.
  - e. La niche immergée comporte des joints électriques appropriés et est convenablement reliée à la terre au moyen du connecteur de terre n° 8 AWG (3,3 mm) situé à l'arrière de la niche, cf. figure 1.

#### **REMARQUE :**

Le circuit électrique peut être vérifié au moyen d'un kit d'essai de qualification électrique pour piscines et baignoires, kit disponible auprès de Pentair Water Pool and Spa, Inc. L'inspection du circuit au moyen du kit en question doit être réalisée par un personnel breveté et bien formé.

2. Pour s'assurer que le circuit électrique de la piscine est conforme à toutes les spécifications applicables, l'électricien devra aussi consulter le service de construction local.
3. Pour réaliser une connexion à la terre et des joints électriques satisfaisants, n'utiliser que des niches immergées de Pentair Water Pool and Spa.

- B. Pour remplacer l'appareil d'éclairage une fois le circuit électrique installé conformément aux spécifications, procéder comme suit.

### **AVERTISSEMENT**

Avant d'installer la lampe immergée, veiller à rendre le circuit électrique de la piscine conforme aux spécifications du code, car on risquerait autrement de créer un danger électrique pouvant provoquer le décès ou des dommages corporels graves pour les utilisateurs de la piscine, les installateurs ou d'autres personnes par suite d'un choc électrique, et entraîner également des dommages matériels.

1. Mettre à l'arrêt l'interrupteur ou le disjoncteur principal ainsi que l'interrupteur de commande de la lampe immergée.
2. Pour retirer l'ensemble lampe, ôter la vis de guide spéciale en acier inoxydable située au sommet de la bague avant, retirer l'ensemble de la niche et le placer sur la plate-forme.

### **AVERTISSEMENT**

Veiller à conserver la vis de guide spéciale en acier inoxydable de cette lampe immergée. Cette vis fixe solidement le logement à la bague de montage et à la niche immergée et assure la mise à la terre. L'emploi de toute autre vis risque de créer un danger électrique pouvant provoquer le décès ou des dommages corporels graves pour les utilisateurs de la piscine, les installateurs ou d'autres personnes par suite d'un choc électrique.

3. Enlever le couvercle de la boîte de dérivation, débrancher les fils électriques de l'appareil d'éclairage et tirer le cordon à travers le conduit.
4. Acheminer le cordon du nouvel appareil à travers le conduit depuis la niche jusqu'à la boîte de dérivation.

### **REMARQUE :**

Selon la longueur du conduit, il se pourrait que l'on ait besoin d'outils spéciaux pour tirer le cordon à travers le conduit.

5. Laisser au moins 1,22 m (4 pieds) de cordon à enrouler autour de la lampe, cf. figure 1. Ce mètre vingt-deux permet de procéder au remplacement de la lampe une fois la piscine remplie d'eau.
6. Couper le cordon au niveau de la boîte de dérivation en laissant au moins 15 cm (6 pouces) pour les raccordements.
7. Couper la gaine extérieure du cordon sur 15 cm (6 pouces) afin de mettre à nu les trois conducteurs internes isolés en veillant à ne pas endommager leur isolement.
8. Raccorder les trois conducteurs aux fils correspondants du circuit électrique dans la boîte de dérivation (conducteur noir raccordé au fil de tension, conducteur blanc au fil de retour et conducteur vert au fil de terre) et refermer solidement le couvercle de la boîte.

### **AVERTISSEMENT**

À moins qu'elle ne soit totalement immergée dans l'eau, ne jamais utiliser cette lampe pendant plus de 10 secondes, car elle atteindrait alors des températures excessives susceptibles de provoquer des brûlures graves ou de casser l'ampoule ou la lentille et d'entraîner par là des blessures graves pour les utilisateurs de la piscine, les installateurs ou d'autres personnes, ou encore des dégâts matériels.

9. Remettre l'ensemble lampe dans la niche et serrer la vis de guide spéciale en acier inoxydable.

### **AVERTISSEMENT**

N'utiliser que la vis de guide spéciale en acier inoxydable livrée avec cette lampe immergée. Cette vis fixe solidement le logement à la bague de montage et à la niche immergée et assure la mise à la terre. L'emploi de toute autre vis risque de créer un danger électrique pouvant provoquer le décès ou des dommages corporels graves pour les utilisateurs de la piscine, les installateurs ou d'autres personnes par suite d'un choc électrique.

10. Ne pas utiliser la lampe pendant plus de 10 secondes avant que la piscine ne soit suffisamment remplie pour que la lampe soit totalement immergée dans l'eau. Mettre alors en marche l'interrupteur ou le disjoncteur principal ainsi que l'interrupteur de commande de la lampe afin d'en vérifier le bon fonctionnement.

### Sction III. Remplacement d'une ampoule uniquement

#### **⚠ DANGER**



Sous peine de provoquer le décès ou des dommages corporels graves pour l'installateur, le technicien de maintenance, les utilisateurs de la piscine ou d'autres personnes par suite d'un choc électrique, veiller à toujours déconnecter la lampe de la piscine du secteur au niveau du disjoncteur avant de procéder à son entretien.

- A. Mettre à l'arrêt l'interrupteur ou le disjoncteur principal ainsi que l'interrupteur de commande de la lampe immergée.
- B. Se procurer les éléments suivants :
1. Un nouveau joint de lentille (référence 79108600).
  2. Une ampoule du type correct et de la puissance qui convient, cf. tableau ci-contre.

#### Spécifications de l'ampoule :

120 volts - 250 watts - ampoule T-4\*\*  
120 volts - 100 watts - ampoule T-4\*\*  
120 volts - 60 watts - ampoule PAR 16\*\*\*  
12 volts - 100 watts - ampoule R-20\*\*\*  
12 volts - 75 watts - ampoule MR-16\*\*

#### Modèles 12\* volts

75 watts  
100 watts  
\*Transformateur néces  
saire

#### Modèles 120 volts

60 watts, 100 watts  
250 watts

Tableau 1.

#### **⚠ AVERTISSEMENT**

Ne remplacer l'ampoule que par un modèle de type et de puissance semblables, faute de quoi on risque d'endommager l'ensemble lampe et de créer un danger électrique pouvant provoquer le décès ou des dommages corporels graves pour les utilisateurs de la piscine, les installateurs ou d'autres personnes par suite d'un choc électrique et pouvant également entraîner des dégâts matériels.

#### **⚠ AVERTISSEMENT**

Installer toujours un nouveau joint de lentille (référence 79108600) lorsque l'on démonte la lampe, faute de quoi de l'eau pourrait pénétrer dans l'ensemble et :

- (a) créer un danger électrique pouvant provoquer le décès ou des dommages corporels graves pour les utilisateurs de la piscine, les installateurs ou d'autres personnes par suite d'un choc électrique, ou
- (b) briser la lampe ou la lentille, ce qui pourrait de même provoquer des blessures graves pour les utilisateurs de la piscine, les installateurs ou d'autres personnes, ou entraîner des dégâts matériels.

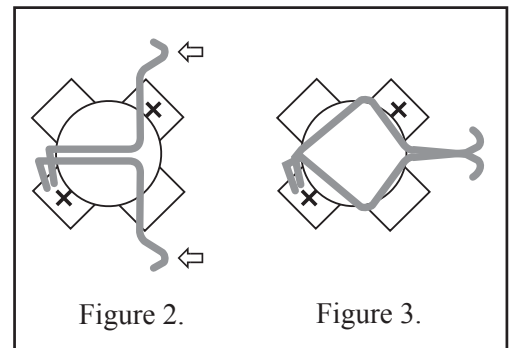
- C. Pour retirer l'ensemble lampe, ôter la vis de guide spéciale en acier inoxydable située au sommet de la bague avant, retirer l'ensemble de la niche et le placer sur la plate-forme.

#### **⚠ AVERTISSEMENT**

Veiller à conserver la vis de guide spéciale en acier inoxydable de cette lampe immergée. Cette vis fixe solidement le logement à la bague de montage et à la niche immergée et assure la mise à la terre. L'emploi de toute autre vis risque de créer un danger électrique pouvant provoquer le décès ou des dommages corporels graves pour les utilisateurs de la piscine, les installateurs ou d'autres personnes par suite d'un choc électrique.

- D. Démontez l'appareil d'éclairage et retirez l'ampoule. Ôtez le vieux joint et s'en débarrasser.
- E. Lors de la pose de la lampe, installez un nouveau joint Pentair Water Pool and Spa référence 79108600.
- F. Sélectionnez l'ampoule de remplacement dans le tableau 1.

1. Pour les lampes AquaLight de 100 et 250 watts, voir les figures 2 et 3 ci-dessous.
2. Rapprochez les extrémités du fil de fer au niveau des flèches, cf. figure 2, jusqu'à le refermer en formant une ouverture en losange, cf. figure 3.
3. Tout en maintenant le fil dans cette forme, cf. figure 3, introduisez l'ampoule à travers l'ouverture en losange et la vissez dans la douille.
4. Veillez à ne pas laisser l'ampoule entrer en contact avec la peau nue car cela risquerait d'en réduire la durée de service.



## **AVERTISSEMENT**

À moins qu'elle ne soit totalement immergée dans l'eau, ne jamais utiliser cette lampe pendant plus de 10 secondes, car elle atteindrait alors des températures excessives susceptibles de provoquer des brûlures graves ou de casser l'ampoule ou la lentille, et d'entraîner par là des blessures graves pour les utilisateurs de la piscine, les installateurs ou d'autres personnes, ou encore des dégâts matériels.

G. Fixer la bague à l'appareil d'éclairage. Pour assurer l'étanchéité, les vis d'étanchéité doivent être serrées de la manière suivante:

1. Pour les lampes à bague avant en chrome ou en laiton :

- (a) Serrer partiellement la vis à la position 3 heures, puis partiellement encore celle à la position 9 heures. Serrer partiellement une vis du côté opposé, puis partiellement encore celle placée dans la position diamétralement opposée.
- (b) Continuer à serrer partiellement toutes les vis comme indiqué ci-dessus jusqu'à ce qu'elles soient toutes solidement et uniformément vissées (on recommande un couple de 20 pouces-livres [22,5 kg-cm]).

2. Pour les lampes à bague avant en acier inoxydable:

Monter la vis et l'écrou à 45 degrés environ à droite de la vis de guide spéciale en acier inoxydable et de l'écrou correspondant sur le collier unitension jusqu'à ce que la distance entre les extrémités du collier soit égale à 6 mm (1/4 de pouce).

Voir à la page 23 les consignes de montage de la bague avant en acier inoxydable.

H. Remettre l'ensemble lampe dans la niche et serrer la vis sans tête spéciale en acier inoxydable.

## **AVERTISSEMENT**

N'utiliser que la vis de guide spéciale en acier inoxydable livrée avec cette lampe immergée. Cette vis fixe solidement le logement à la bague de montage et à la niche immergée et assure la mise à la terre. L'emploi de toute autre vis risque de créer un danger électrique pouvant provoquer le décès ou des dommages corporels graves pour les utilisateurs de la piscine, les installateurs ou d'autres personnes par suite d'un choc électrique.

I. Ne pas utiliser la lampe pendant plus de 10 secondes avant que la piscine ne soit suffisamment remplie pour que la lampe soit complètement immergée dans l'eau. Mettre alors en marche l'interrupteur ou le disjoncteur principal ainsi que l'interrupteur de commande de la lampe afin d'en vérifier le bon fonctionnement.

### **Consignes de montage de la bague avant en acier inoxydable**

1. La lampe étant posée sur sa base, placer l'ensemble joint sur son logement comme indiqué (cf. figure 4). **UN NOUVEAU JOINT DE LENTILLE DOIT OBLIGATOIREMENT ÊTRE UTILISÉ CHAQUE FOIS QUE LA LAMPE EST RÉASSEMBLÉE.** Centrer la bague avant en acier inoxydable et la placer par-dessus l'ensemble lentille et joint. Pendant l'installation de cet ensemble, les leviers de blocage devraient être libres en position basse. Aligner la vis de guide spéciale en acier inoxydable de la bague avant sur la flèche de l'étiquette marquée « TOP » (Haut) – la flèche de cette étiquette doit s'aligner sur la vis de guide de la bague.
2. Les extrémités pliées du collier circulaire unitension étant dirigées vers le bas, ouvrir ce dernier et l'insérer dans les rainures en « U » des leviers de blocage. S'assurer que les extrémités pliées du collier se trouvent bien entre les deux leviers comme indiqué sur la figure 4, emplacement A. Vérifier que le collier est correctement engagé dans les rainures de tous les leviers, cf. figure 5.
3. Tourner la lampe de manière à ce qu'elle repose sur sa lentille. Serrer la vis et l'écrou jusqu'à ce que les extrémités du collier ne soient plus séparées que par 6 mm (1/4 de pouce) tout au plus, cf. figure 5.

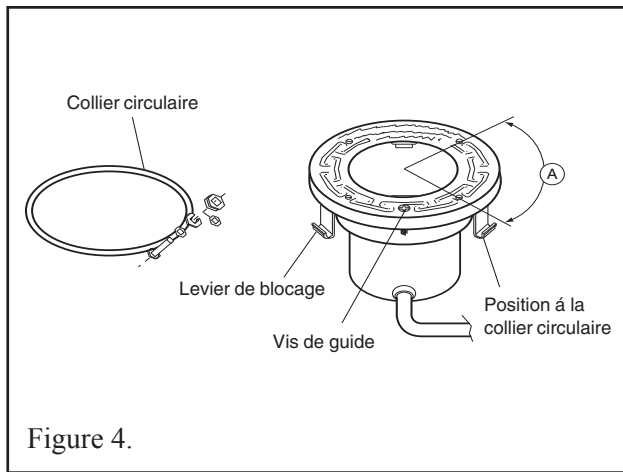


Figure 4.

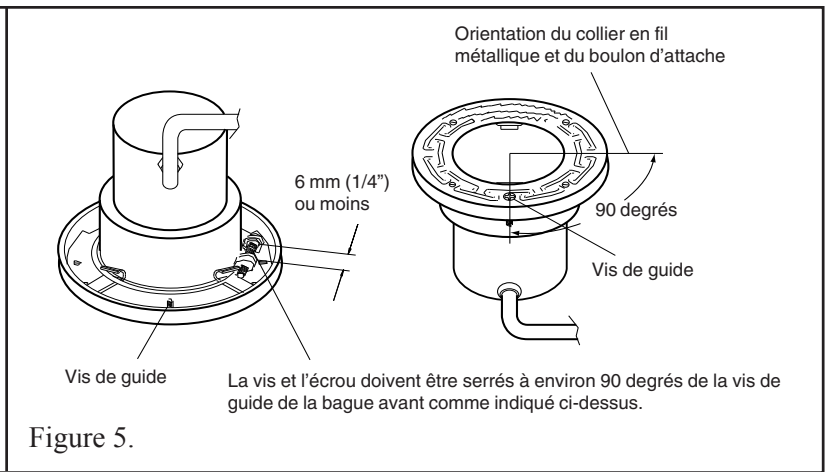
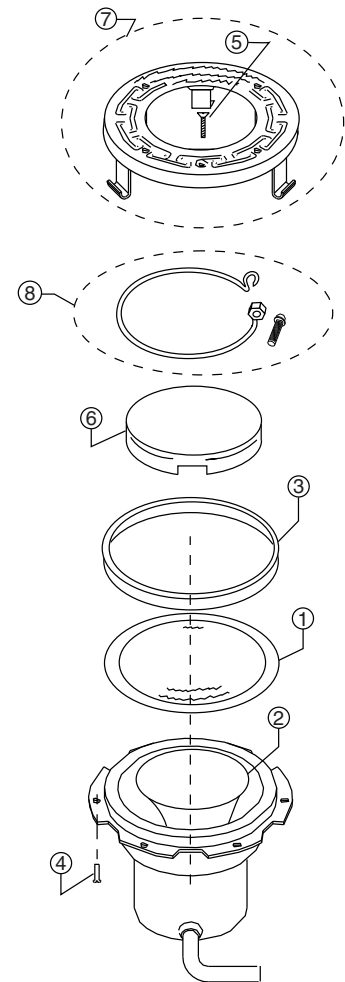


Figure 5.

#### Section IV. Nomenclature des pièces

Article No.	Pièce No.	Description
1	79107800	Lentille transparente en verre trempé, 10 cm (4") de diamètre (12 volts SpaBrite, 120 volts / 12 volts AquaLight)
1	650086	Lentille transparente en verre trempé, 10 cm (4") de diamètre (120 volts SpaBrite)
2	650139Z	Ampoule 60 watts, 120 volts, PAR 16, (SpaBrite)
2	79108100	Projecteur, base moyenne, 100 watts, 12 volts (SpaBrite)
2	79102900	Douille à vis pour ampoule quartz-halogène 100 watts (AquaLight)
2	79113800	Douille à vis pour ampoule quartz-halogène 250 watts (AquaLight)
2	79112400	Ampoule 75 watts, 12 volts, 2 pôles (AquaLight)
2	070517	Ampoule à baïonnette 100 watts, 120 volts (AquaLight)
2	79112700	Ampoule à baïonnette 250 watts, 120 volts (AquaLight)
3	79108500	Joint de lentille, 10 cm (4") de diamètre (12 volts SpaBrite)
3	79108600	Joint en silicone, pour 100 watts, 250 watts (AquaLight, et 120 volts SpaBrite)
4	98208600	Vis inox 10-24 x 3/8" (9 mm), 6 requises, pour laiton-chrome
5	79104800	Vis de guide avec rondelle captive en caoutchouc, laiton
5	619355	Vis de guide avec rondelle captive en caoutchouc, inox
6	79108900	Lentille colorée en rouge à changement rapide
6	79109000	Lentille colorée en bleu à changement rapide
6	650015	Lentille colorée en magenta à changement rapide
6	650016	Lentille colorée en pourpre à changement rapide
6	650017	Lentille colorée en teal à changement rapide
6	650018	Lentille colorée en vert à changement rapide
6	650019	Lentille colorée en emballent (cing colorée) à changement rapide
7	79111600	Ensemble bague avant inox
8	79210400	Ensemble fil inox unitension avec écrou soudé



## PRIÈRE DE LIRE ET DE CONSERVER CETTE NOTICE !

© 2011 Pentair Water Pool and Spa, Inc. Tous droits réservés.

1620 Hawkins Ave., Sanford, NC 27330 • (800) 831-7133 • (919) 566-8000

10951 West Los Angeles Ave., Moorpark, CA 93021 • (800) 831-7133 • (805) 553-5000

Ce document est sujet à tous changements sans préavis.

 **Pentair**  
Pool Products®  
Because reliability matters most™