



# Pro Series™

S180T, 210T, 220T, 220T2, 230T, 244T, 244T2, S270T SAND FILTER SERIES REPLACEMENT PARTS

## Parts Diagram

Filters

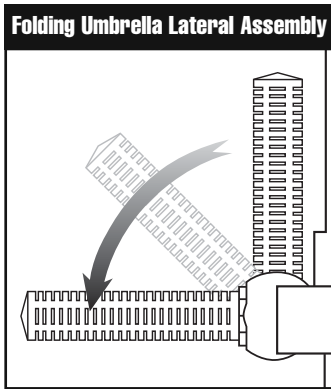
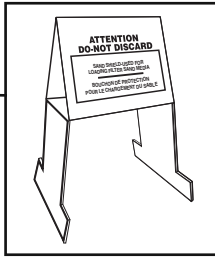
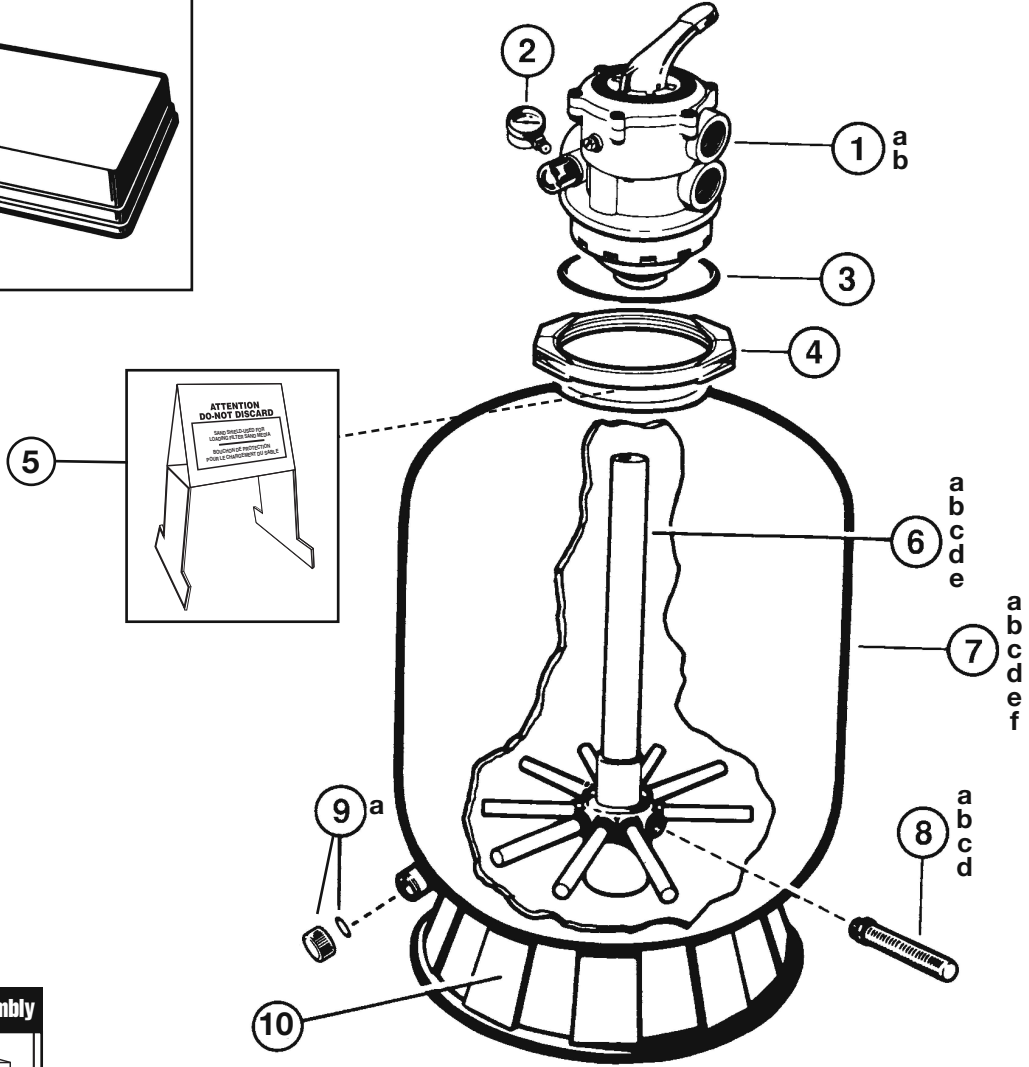
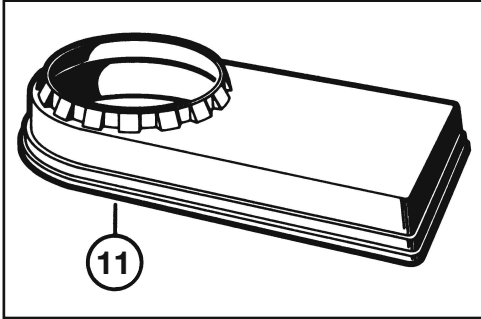
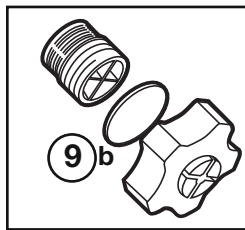


Diagram A



### Parts Listing

Ref. No.	Part No.	Description	Ctn. Qty.	No. Req'd
1a	SP0714T	Vari-Flo XL Control Valve – 1 1/2"	1	1
1b	SP071620T	Vari-Flo XL Control Valve – 2"	1	1
2	ECX270861	Pressure Gauge	10	1
3	GMX600F	Valve/Tank O-Ring	10	1
4	GMX600NM	Flange Clamp	5	1
5	SX202S	Sand Shield – 2004 Corrugated Design	25	1
6a	SX180DA	Folding Umbrella Lateral Assembly with Center Pipe (S180T) (1997- )	1	1
6b	SX210DA	Folding Umbrella Lateral Assembly with Center Pipe (S210T) (1997- )	1	1
6c	SX220DA	Folding Umbrella Lateral Assembly with Center Pipe (S220T) (1997- )	1	1
6d	SX230DA	Folding Umbrella Lateral Assembly with Center Pipe (S230T) (2003- )	1	1
6e	SX244DA	Folding Umbrella Lateral Assembly with Center Pipe (S244T, S270T) (1997- )	1	1
7a	SX180AA2	Filter Tank with Skirt, Drain, Lateral Assembly (S180T)	1	1
7b	SX210AA1	Filter Tank with Skirt, Drain, Lateral Assembly (S210T)	1	1
7c	SX220AA1	Filter Tank with Skirt, Drain, Lateral Assembly (S220T)	1	1
7d	SX230AA1	Filter Tank with Skirt, Drain (S230T)	1	1
7e	SX244AA1	Filter Tank with Skirt, Drain, Lateral Assembly (S244T)	1	1
7f	SX270AA1	Filter Tank with Skirt, Lateral Assembly (S270T)	1	1
8a	SX200Q	Lateral (S180T) (2004 and Prior)	10	10
8b	SX240D	Lateral (S210T, S220T, S230T, S244T) (2004 and Prior)	10	10
8c	SX200QN	Lateral (One Piece) with Hub – See Diagram A	10	10
8d	SX240DN	Lateral (One Piece) with Hub – See Diagram A	10	10
9a	SX180HG	Drain Cap Kit (2005 and Prior)	25	1
9b	SX180LA	Drain Cap Assembly – Cap, Gasket, Screen	1	1
—	SX200H	Bottom Drain Screen (2005 and Prior)	10	1
10	SX200J	Filter Support Stand (Skirt)	1	1
11	SX180K	System Base – S180T Systems	1	1