

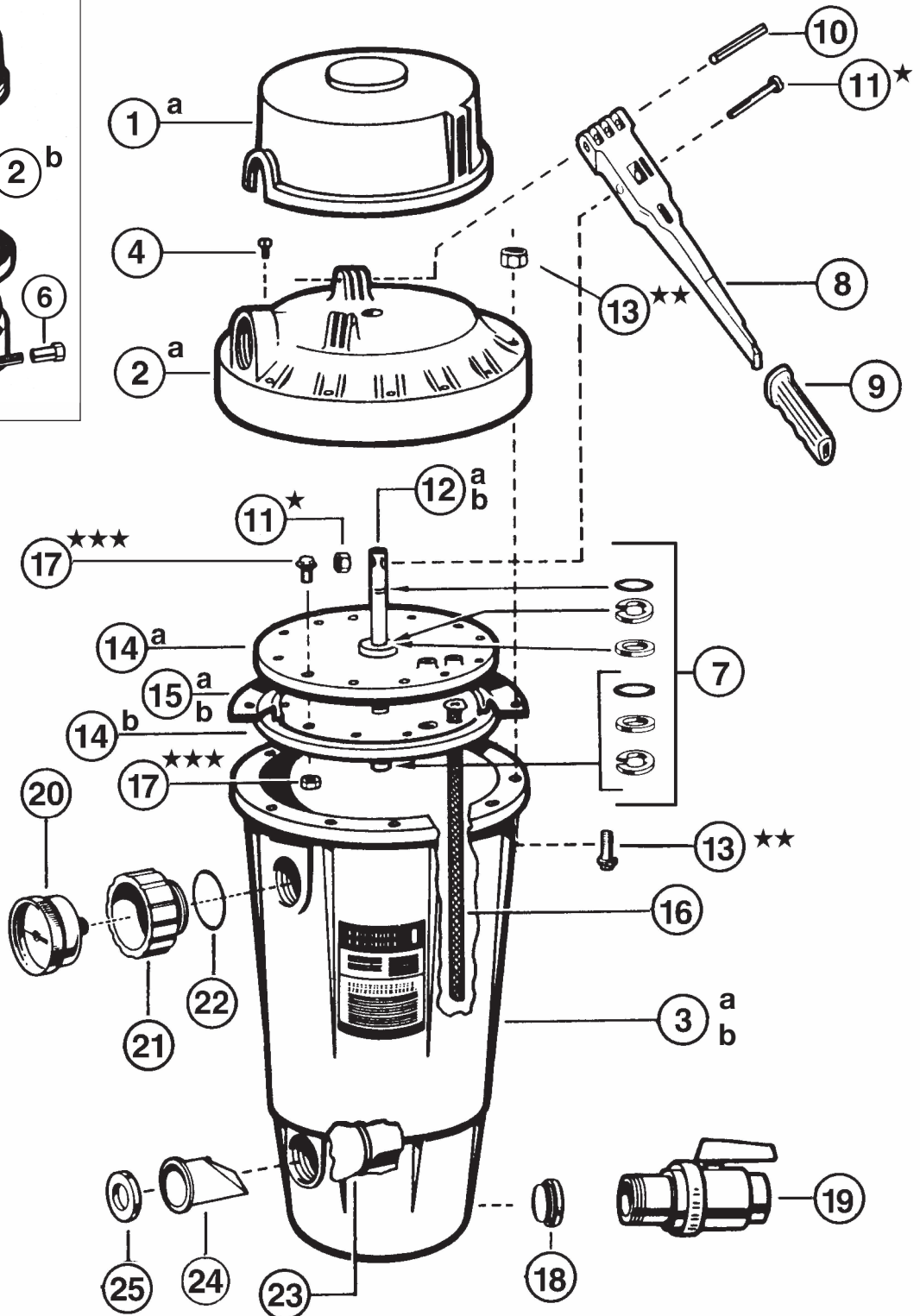
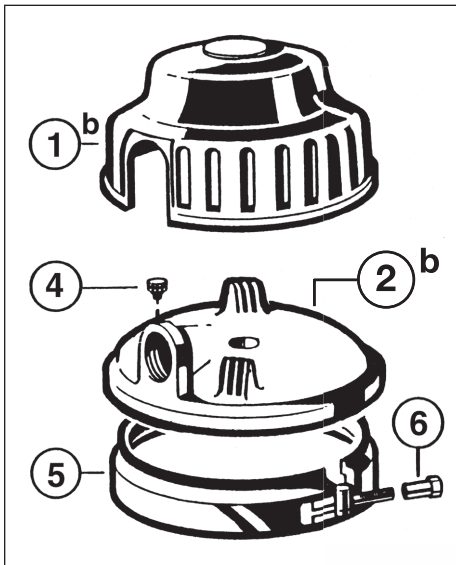


# Perflex®

## EC50A AND EC50AC EXTENDED-CYCLE D.E. FILTER REPLACEMENT PARTS

### Parts Diagram

Filters



- ★ Bump Handle Screw Kit
- ★★ Filter Head Screw Kit
- ★★★ Tube Sheet Hex Screw Set

**Parts Listing (Parts unique to a specific series are designated)**

Ref. No.	Part No.	Description	Ctn. Qty.	No. Req'd
1a	ECX11156	Bump Mechanism Cover – EC50A	4	1
1b	ECX5000D	Bump Mechanism Cover – EC50AC	4	1
2a	ECX10334P	Filter Head with Vent Valve – EC50A	1	1
2b	ECX5000BP	Filter Head with Vent Valve – EC50AC	1	1
3a	ECX11344P	Filter Body with Flow Diffuser – EC50A	1	1
3b	ECX5000AP	Filter Body with Flow Diffuser – EC50AC	1	1
4	ECX1322A	Directional Vent Valve with O-Ring	25	1
5	ECX5000C	Clamp Assembly with Springs – EC50AC	1	1
6	ECX360JN	Nickel Plated Sleeve Nut, 5/16" – EC50AC	10	1
7	ECX1014A	Bump Shaft Kit	10	1
8	ECX1040	Bump Handle Assembly – Xyron	10	1
9	ECX1037B	Bump Handle Grip – Xyron	5	1
10	ECX10029	Pivot Pin (long)	10	1
11	ECX4236A	Bump Handle Screw Kit	10	1
12a	ECX1009	Bump Shaft, 1/2" – EC50A	5	1
12b	ECX5000F	Bump Shaft, 1/2" – EC50AC	1	1
13	ECX10271A	Filter Head Screw Set – EC50A only	10	12
14a	ECX1004A	Tube Sheet (Top)	10	1
14b	ECX1004	Tube Sheet (Bottom)	10	1
15a	ECX1003	Diaphragm Gasket – EC50A	10	1
15b	ECX5000G	Diaphragm Gasket – EC50AC	10	1
16	ECX1032	Flex-Tube Assembly	10	72
17	SPX1500NYA	Tube Sheet Hex Screw Set	25	12
18	SP1022CBLK	Plug with Gasket	100	1
19	SP0723	Ball-Type Drain Valve with Nipple	24	1
20	ECX27091	Pressure Gauge – Back Mount	10	1
21	ECX12866	Gauge/Inspection Port Adapter	5	1
22	ECX1287	O-Ring for Gauge Adapter	25	1
23	ECX1256	Flow Diffuser with Check Valve	10	1
24	ECX4077B1	Check Valve	10	1
25	ECX1055	Flow Controller	10	1
—	ECX1036*	Flex-Tube Nest (EC50A)	1	1
—	ECX1037*	Flex-Tube Nest (EC50AC)	1	1

**NOTE:** \*Includes bump shaft, shaft kit, top and bottom tube sheet, diaphragm gasket and 12 tube sheet screw sets.