



Revised Quik Water Leveler INSTALLATION INSTRUCTIONS

1. Install Water Leveler so top of canister is 1" above excavation forms and as close to pool forms as possible. This setting will position the balance line 13 ¼" below top of forms (7" below water line tile) and will allow for straight line entry into the pool without fittings (see Figure A). This straight-line entry will prevent air locks in the balance line.
2. Install 1 ½ " PVC balance line into pool and cap. To allow a flush cut at plaster phase, pipe should protrude approximately 6-8" beyond the finished gunite.
3. Connect ¾ " fresh water fill line to the center fitting located at the bottom center of the canister.
4. Water leveler canister may be filled with water to gravity test the glue joints.
5. **NOTE CHANGE:** The water leveler base has been pre-drilled and a Pressure Test Plug installed so that the water leveler is ready for pressurization. At start-up, merely remove the Test Plug with an appropriate length screwdriver and discard the plug. (See Figure B)
6. **TO CLEAR DEBRIS FROM THE SUPPLY LINE: ALLOW WATER TO FLOW INTO CANISTER FOR AT LEAST 60 SECONDS PRIOR TO INSTALLING THE FLOAT ASSEMBLY.**
7. **INSTALL AND ADJUST THE FLOAT ASSEMBLY: Be sure to install the white "seal restrictor" in the threaded portion of the water leveler canister before threading in the float assembly. DO NOT USE TEFLON TAPE OR PIPE COMPOUND!!**

ADJUSTMENT INSTRUCTIONS

To make adjustments, turn the upper float module counterclockwise and lift the module or push the module down to achieve the desired water level. Once the desired level is achieved, turn the float module clockwise until it locks back in place.

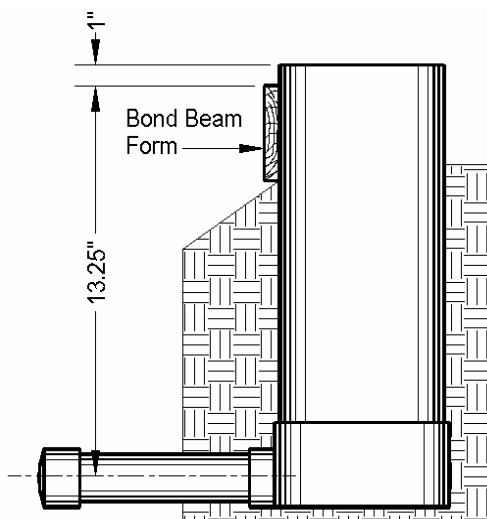


Figure A

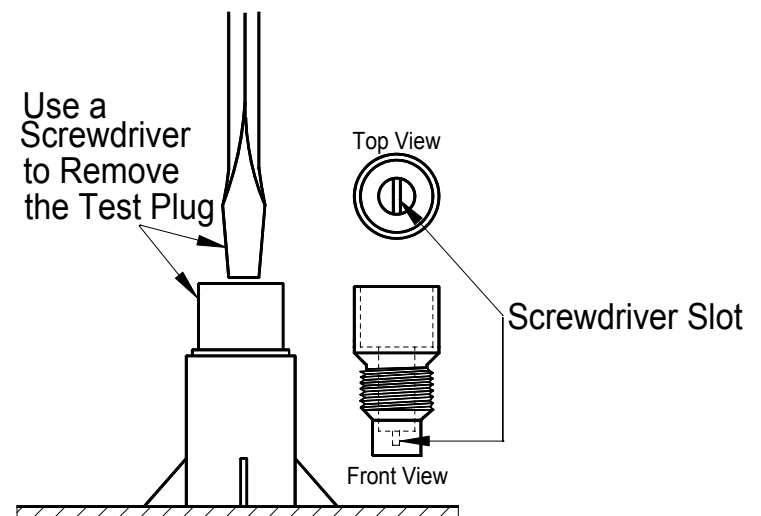


Figure B

REPAIR INSTRUCTIONS

SYMPTOM: Slow or won't fill; or fill valve won't shut off and the water continues to flow:

Clean Silt Strainer and Diaphragm

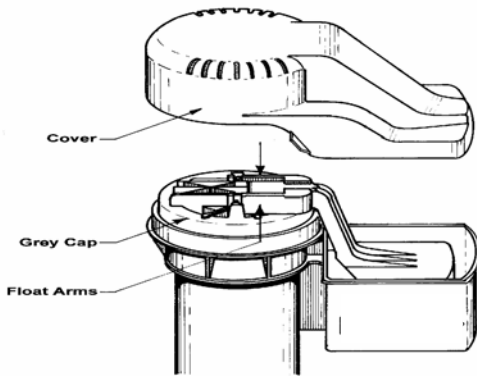


Figure C

Turn off water supply. Remove the float assembly and remove the seal restrictor. Snap the white cover off the float assembly. Gently press the float arms inward and remove the float (See **Figure C**). While holding the valve with one hand, twist the gray cap 1/8th turn counterclockwise and remove it from the assembly. Lift the center tube out of the assembly and remove the white strainer from the bottom of the tube. Rinse all these parts including the inside of the gray cap under running water. Carefully reassemble the valve in the reverse order. **IMPORTANT:** Note the position of the cap when properly assembled to the body. The ribs on the gray cap are in line with the float chamber.

Replace the white "seal restrictor" (See **Figure B**) replace the float assembly. **DO NOT USE TEFLON TAPE OR PIPE COMPOUND! THESE ARE NOT PIPE THREADS. TEFLON TAPE MAY DAMAGE THE THREADED FITTING!**

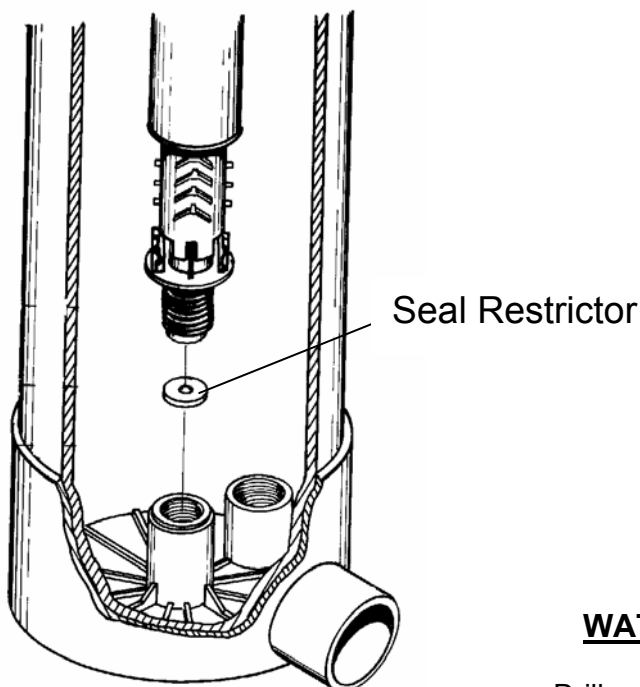


Figure D

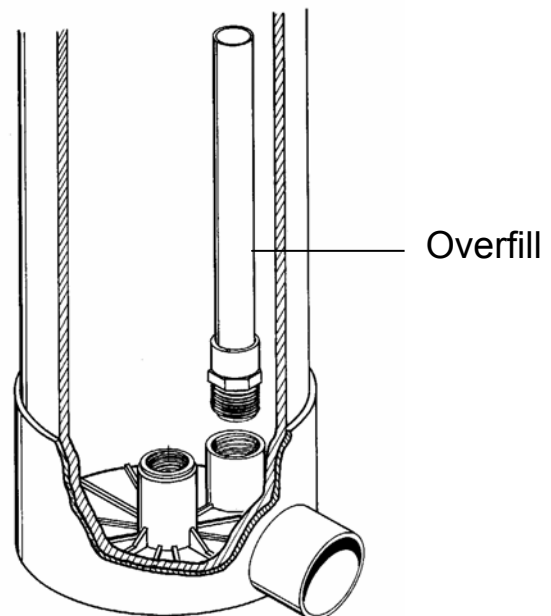


Figure E

WATER LEVELER OVERFILL INSTALLATION

Drill a 3/8" hole through the protective membrane inside the overflow fitting located in the bottom of the canister. Cut a 3/4" ID standpipe so that it will be 1" above the pool water level and push it into the overflow fitting adapter (glue is not required). Connect the external side of the overflow to "waste". (See **Figure E**)