

Multiport Valves

REPLACEMENT PARTS



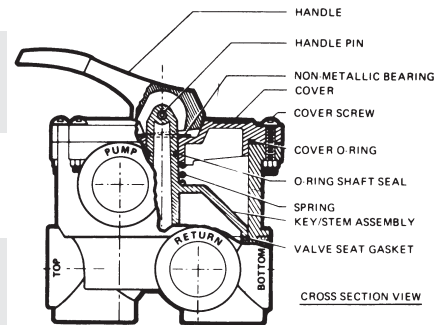
Cat. Nos. SP0710, 0710X, 0711, 0712, 1 1/2" Vari-Flo Valves (1976-)

Part No.	Description	Ctn. Qty.
SPX0710XF	Handle	10
SPX0710XZ7	Handle Pin	25
SPX0710Z16	Non-Metallic Bearing	25
SPX0710XZ3	Cover O-Ring	10
SPX0735GA	O-Ring/Teflon Shaft Seal	10
SPX0710Z1A	Cover Screw with Nut (<i>Set of 6 each</i>)	10
SPX0603S	Spring	5
SPX0710Z62	Spring Washers (<i>Set of 2</i>)	25
SPX0710K	1/4" Plastic Pipe Plug	25
SPX0710XD	Valve Seat Gasket, 5 Spoke – for "X" Valve Body	10
SPX0710XC	Key/Stem Assembly	10
SPX0710XBA	Key, Cover and Handle Assembly – White	5
SPX0710XBA17	Key, Cover and Handle Assembly – Black	5
SPX0710MA	Threaded Sight Glass with Gasket	10
SX200Z9	Gasket for Threaded Sight Glass	25
SPX0710XALLAA	Valve Body with Gasket and Sight Glass – Style "ALL"	1
SPX0710XA3A	Valve Body with Gasket and Sight Glass – Style 3	1
SPX0710X32AA	Valve Body with Gasket and Sight Glass – with Filter	1
	Tank Pipes and Locknuts – for S200, S240 only	1
SPX0710XR50AA	Valve Body and Sight Glass – with Filter	1
	Tank Pipes and Locknuts. "Reverse" style – for	
	DE Series only	1
SPX0710X62AA	Valve Body with Gasket and Sight Glass – with Filter	1
	Tank Pipes and Locknuts – for Pro Series	
	(Side Mount) only	1
SPX0712AA	Top Mount <i>Threaded</i> Valve Body with Gasket, Sight Glass and Diffuser (for Hayward Filters)	1
SPX07122AA	Top Mounted <i>Threaded</i> Valve Body with Gasket, Sight Glass and Diffuser (for Pac-Fab; 6" UNC)	1
SPX0710Z9	3M Adhesive, 5 oz. tube for Valve Seat Gasket	10

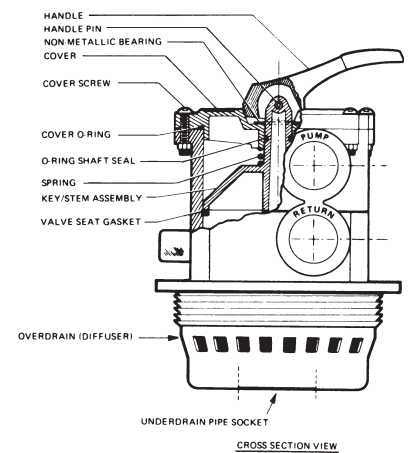
NOTE: Parts below are for SP0710 and 0711 Series (1969–1975). These parts are *NOT* interchangeable with current production models.

SPX0710Z7	Handle Pin	10
SPX0710Z3	Cover O-Ring	10
SPX0603Z2A	O-Ring/Teflon Shaft Seal	1
SPX0710D	Valve Seat Gasket, 6 Spoke	10
SPX0710XBA	Key, Cover and Handle Assembly – Replaces SPX0710B (cover) and SPX0710C	5

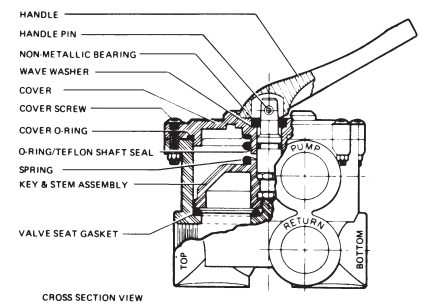
SP0710X SERIES (1977)



SP0712 SERIES



SP0710 SERIES (1969-1975)

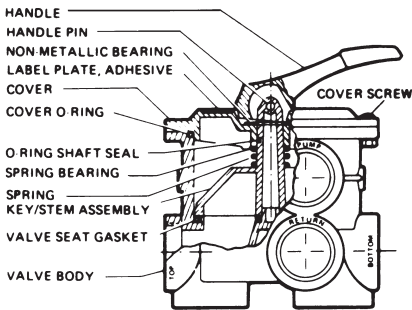




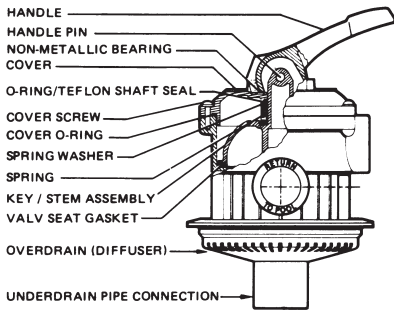
Multiport Valves

REPLACEMENT PARTS (continued)

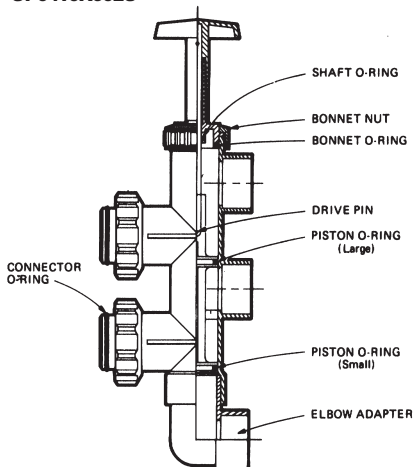
SP0715 SERIES



SP0704 SERIES



SP0410X602S



Cat. Nos. SP0715, 0716, 2" Vari-Flo Valves

Part No.	Description	Ctn. Qty.
SPX0710FL	Handle, Large	10
SPX0715F	Handle, Standard	10
SPX0710XZ7	Handle Pin	25
SPX0710Z16	Non-Metallic Bearing	25
SPX0710Z1A	Cover Screw with Nut (<i>Set of 6 each</i>)	10
SPX0715Z1	Cover O-Ring	10
SPX0603S	Spring	5
SPX0710Z62	Spring Washers (<i>Set of 2</i>)	25
SPX0735GA	O-Ring/Teflon Shaft Seal	10
SPX0710K	1/4" Plastic Pipe Plug	25
SPX0715D	Valve Seat Gasket	10
SPX0715C	Key/Stem Assembly – Noryl	10
SPX0715BA	Key, Cover and Handle Assembly, White	1
SPX0715BA3	Key, Cover and Handle Assembly, Black	1
SPX0715ALLAA	Valve Body with Gasket and Sight Glass – Style "ALL"	1
SPX0715XR50AA	Valve Body with Gasket and Sight Glass – with Filter Tank Pipes and Locknuts. "Reverse" style – for DE only	1
SPX0710MA	Threaded Sight Glass with Gasket	10
SX200Z9	Gasket for Threaded Sight Glass	25

Cat. No. SP0704, 1 1/2" Vari-Flo Valve – 4 Position

Part No.	Description	Ctn. Qty.
SPX0710XF	Handle	10
SPX0710XZ7	Handle Pin	25
SPX0710Z16	Non-Metallic Bearing	25
SPX0704B2	Cover, Black	15
SPX0704F	Cover O-Ring	10
SPX0704HA	O-Ring/Teflon Shaft Seal	25
SPX0704Z1A	Cover Screw (<i>Set of 6</i>)	10
SPX0603S	Spring	5
SPX0710Z62	Spring Washers (<i>Set of 2</i>)	25
SPX0704D	Valve Key Gasket	10
SPX0704CA	Key and Gasket Assembly	10
SPX0704BA	Key, Cover, Gasket and Handle Assembly	5
SPX0704AA	Valve Body with Diffuser	1

Cat. Nos. SP0410X Series Slide Valve

Part No.	Description	Ctn. Qty.
SPX0410BA	Handle and Piston Assembly	5
SPX0410BK	Piston only with Pin	5
SPX0722D	Bonnet Nut	10
SPX0722GH	Bonnet O-Ring	10
ECX9611246	Shaft O-Ring	25
SPX0410Z2	Piston O-Ring, Large	10
SPX0410K	Drive Pin	10
SPX0410Z1	Piston O-Ring, Small	10
SX200Z4	O-Ring	25

Multiport Valves

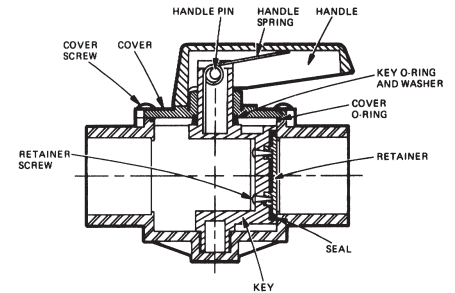
REPLACEMENT PARTS (continued)



Cat. No. SP0732, 0733 Series Dial-A-Flo Valves

Part No.	Description	Ctn. Qty.
SPX0733D	Handle	10
SPX0733H	Handle Pin	10
SPX0733J	Handle Spring	10
SPX0733B	Cover (SP733, 3-Way) with Label	10
SPX0733Z3A	Cover Screw (Set of 8)	10
SPX0733Z2A	O-Ring, Cover, Washer and Spacer Set	10
SPX0733Z1A	O-Ring, Key, with Washer (Washer Req'd. - Pre 1988)	10
SPX0733E	Seal	10
ECX1019	Retainer Screw	20
SPX0733CA	Key and Seal Assembly with O-Ring (3-Way)	5
SPX0733BA	Key, Seal, Cover and Handle Assembly (3-Way)	5

SP0733S



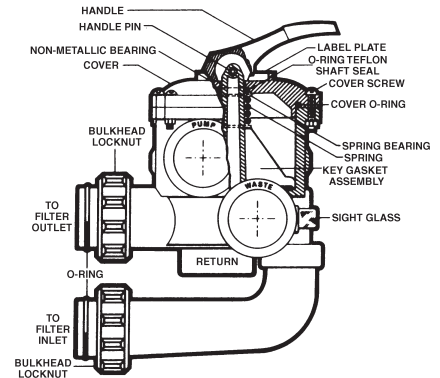
Cat. No. SP0727 Perflex Diverter Valve (Not Illustrated)

Part No.	Description	Ctn. Qty.
SPX0727D	Handle	10
SPX0733H	Handle Pin	10
SPX0727J	Handle Spring	10
SPX0727K	O-Ring, Cover	10
SPX0733Z3A	Cover Screw (Pkg. of 8)	10
SPX0727H	Seal	10
SPX0733Z1	O-Ring (Key)	10
SPX1483C	O-Ring (Union)	10
SPX0727E	Union Nut	10

Cat. No. SP0740DE 2" Selecta-Flo™ Valve

Part No.	Description	Ctn. Qty.
SPX0710FL	Handle, Large	10
SPX0710XZ7	Handle Pin	10
SPX0710Z16	Non-Metallic Bearing	10
SPX0740B	Cover	10
SPX0710Z1A	Cover Screw with Nut (Set of 6 each)	10
SPX0715Z1	Cover O-Ring	10
SPX0603S	Spring	5
SPX0704HA	O-Ring/Teflon Shaft Seal	25
SPX0710Z62	Spring Washers (Set of 2)	25
SPX0740D	Valve Seat Gasket	10
SPX0740C	Key/Stem Assembly	10
SPX0740BA	Key, Cover, Handle Assembly	10
SPX0740AA	Valve Body with Gasket and Sight Glass – with Tank Pipes and Locknuts	1
SX200Z4	O-Ring (Valve Horn)	10

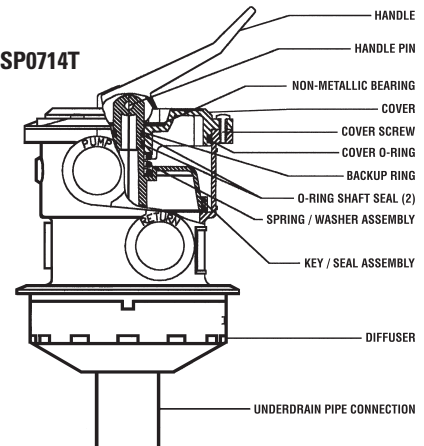
SP0740DE



Cat. No. SP0714T Vari-Flo™ XL Valve

Part No.	Description	Ctn. Qty.
SPX0710XF	Handle	10
SPX0710XZ7	Handle Pin	10
SPX0710Z16	Non-Metallic Bearing	10
SPX0714BA	Key, Cover and Handle Assembly	5
SPX0714Z1	Cover Screw (Set of 6)	10
SPX0714L	Cover O-Ring	10
SPX0735GA*	O-Ring Shaft Seal Assembly	10
SPX0710Z62	Spring Washers (Set of 2)	25
SPX0714CA	Key/Seal Assembly	10
SPX0714D	Diffuser	1
SPX0714A	Valve Body with Gasket and Sight Glass	1

SP0714T



*Two required for each valve.