

# BOULDER SPRINGS JUMP ROCK™:

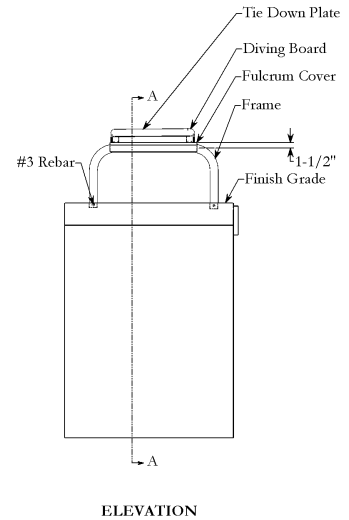
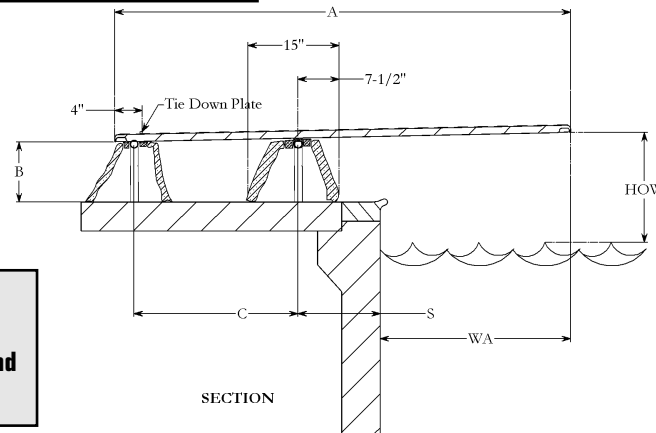


Part # BS-JR

## FEATURES:

- Durable, Rugged, & Light Weight Polyurea Construction
- Unique Diving Base Adds Beauty and Functionality to Pool Area
- Available for Use With 6', 8', & 10' Length Boards
- 2 Hole Drill Pattern
- Available in 4 Colors; Hues May Vary
- Color is Chemically Bonded to Undercoat

Standard Board = Duro-Beam 6', 8' or 10'  
 Upgrade 1 = Techni-Beam 6', 8', or 10'  
 Upgrade 2 = Olympian 6', 8' or 10'



Diving Board Colors:  
 Black: -2; Tan: -7; Gray: -9  
**(add custom color code behind part # when ordering)**

Boulder Springs Rock Colors = Light Granite: -22;  
 Sunset Red: -23; Dark Granite: -28; Rustic Sandstone: -29  
**(add custom color code behind part # when ordering)**

<b>IMPORTANT:</b>  THESE DIMENSIONS ARE ACCURATE ONLY FOR VERTICAL POOL WALLS, <b>TYPICALLY GUNITE CONSTRUCTION</b> , WITH LESS THAN A 3' RADIUS TO THE POOL FLOOR.  DUE TO THE VARYING SIZES OF OTHER POOLS, <b>TYPICALLY VINYL LINER CONSTRUCTION</b> , PLEASE CONTACT CUSTOMER SERVICE FOR PROPER JIG PLACEMENT.  <b>1-800-737-5386</b>	U-STANDARDS PART #	NOMINAL BOARD LENGTH (A)	ANSI/ NSPI-5 POOL TYPE	DISTANCE FROM POOL EDGE TO FORWARD U-STAND (S)	DISTANCE FROM END OF BOARD TO FORWARD U-STAND	MIN. OVERHANG PLUS OR MINUS 3" WA*	MAX HEIGHT OF BOARD ABOVE WATER HOW
	DBU12049	6'	I	18"	36.25"	18"	20"
DBU12049	6'	II	18"	36.25"	18"	20"	
DBU12049	6'	III	12"	36.25"	24"	26"	
DBU12049	6'	IV	9"	36.25"	30"	30"	
DBU12049	6'	V	9"	36.25"	36"	40"	
DBU12049	8'	I	Won't work with rock	NA	NA	NA	
DBU12049	8'	II	32"	50"	18"	20"	
DBU12049	8'	III	26"	50"	24"	26"	
DBU12049	8'	IV	20"	50"	30"	30"	
DBU12049	8'	V	14"	50"	36"	40"	
DBU12049	10'	I	NA	NA	NA	NA	
DBU12049	10'	II	NA	NA	NA	NA	
DBU12049	10'	III	38"	61.5"	24"	26"	
DBU12049	10'	IV	32"	61.5"	30"	30"	
DBU12049	10'	V	26"	61.5"	36"	40"	

**ECHOES OF NATURE**