



# **Battery WireLess AquaLink® RS**

Portable Control Panel

---

## **Installation Manual**



## Installation

### 3.9. Wireless OneTouch Control Panel-

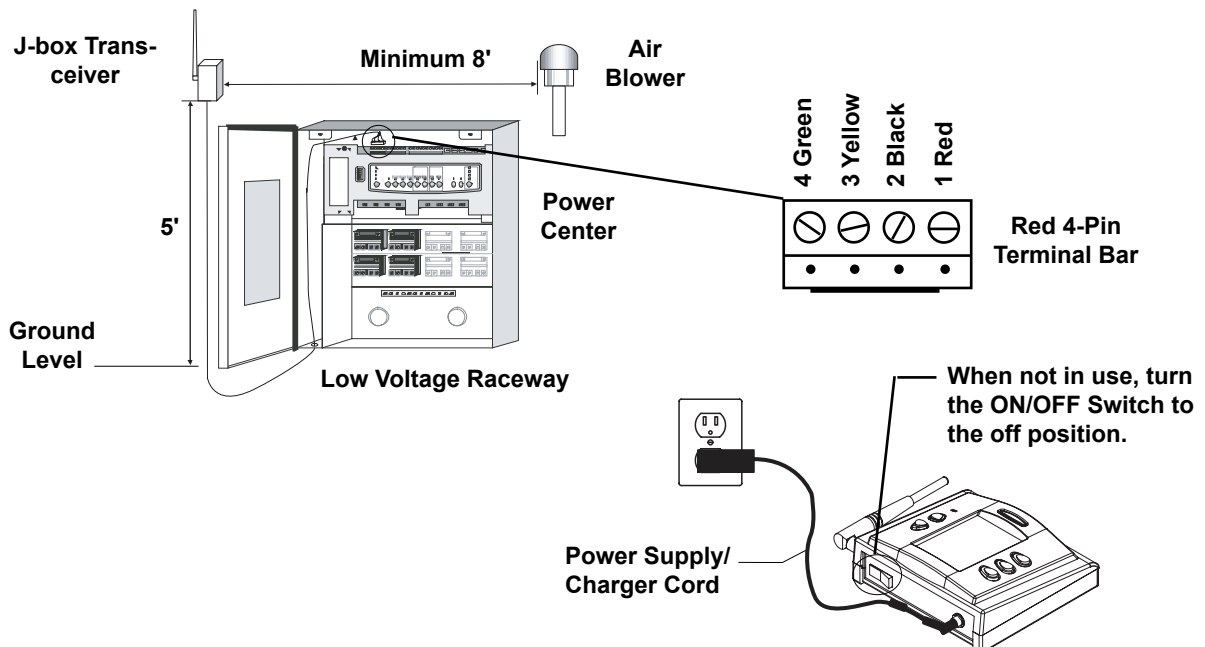
**Installation Considerations-** The transceivers will transmit through walls and around corners. Steel framing, aluminum siding, wrought iron, cyclone fences, leaded glass may, microwave ovens, and other 2.4 GHz frequency items may inhibit/prevent communication between the Wireless AquaLink RS Control Panel and the Power Center. The transceivers do not require line of sight to communicate. To optimize communication, locate transceivers to minimize interference. The Battery Wireless AquaLink RS system requires OneTouch Indoor PCB revision "E" and firmware revision "B11" in order to work properly.

#### 3.9.1. Outdoor Transceiver J-box Installation:

1. Turn off all power to the Power Center.
2. Mount the Outdoor Transceiver J-box at least 5' above the ground and at least 8' from an air blower.
3. Remove the cover from the Transceiver J-box. Use the template provided to drill the mounting holes. Mount the Transceiver J-box and replace the cover.
4. Open the door to the Power Center and remove the dead panel.
5. Feed the four conductor wire into the Power Center through the low voltage raceway.
6. Cut off the excess wire. Strip the jacket back 6" and strip the individual wires approximately ¼". Connect the four conductor wire to the red terminal bar on the Power Center PCB.
7. Install the dead panel to the Power Center and restore all power.

#### 3.9.2. Indoor Control Panel Installation:

1. Connect the transformer to the back of the control panel.
2. Plug the transformer into a wall socket.
3. **Charge for 24 hours before removing the Power Supply/Charger (the system is operational while charging).**

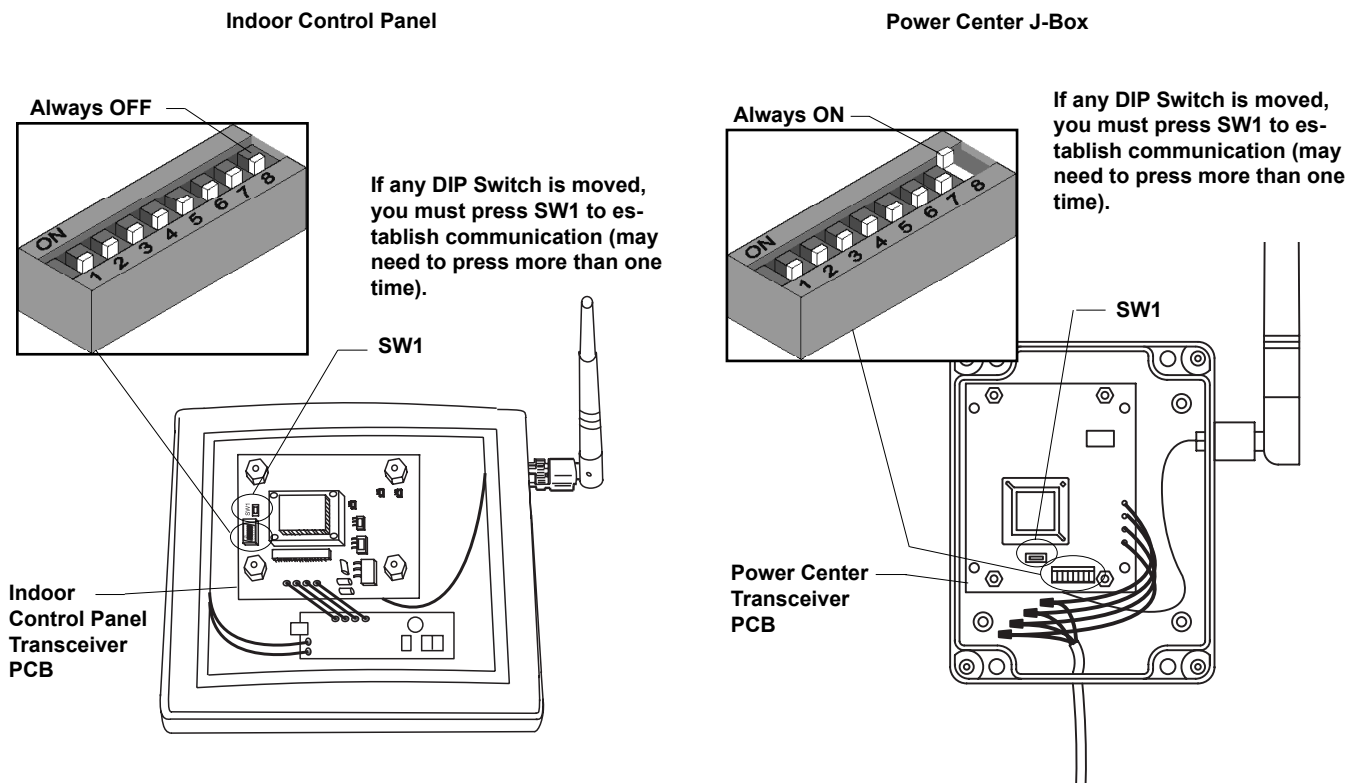


## Installation

### 3.9.3. Changing the Transmission Code:

If your AquaLink RS system is turning items on or off at odd times it may be the result of another AquaLink RS Wireless Controller in close proximity using the same or similar code. To prevent unwanted operation, the code for your AquaLink RS Wireless system can be personalized. Except for dip switch #8, both the Power Center Transceiver and the Control Panel Transceiver must be set to the same code. The Indoor Control Panel Transceiver dip switch #8 must be **OFF** and the Power Center Transceiver dip switch #8 must be **ON**.

1. Go to the Indoor Control Panel and remove the screws to expose the transceiver PCB.
2. Locate the small set of dip switches on the Control Panel PCB. Except for dip switch #8, turn on one or more dip switches. **Important- before installing the Control Panel cover, press the reset button (SW1).** Note which switches you have turned on then reinstall the cover and screws.
3. At the Outdoor Transceiver J-box, remove the cover to expose the Transceiver PCB and set the dip switches (except #8) to the same settings as the Control Panel Transceiver PCB that is in the house. **Important- before installing the J-box cover, press the reset button (SW1).** Close the cover and test the system.



## *Troubleshooting*

### **2. Wireless OneTouch Quick Troubleshooting Guide**

2.1. The Wireless AquaLink RS will stop communicating anytime interference (such as from a microwave oven or other 2.4GHz devices) prevents a valid signal transmission. When communication is lost the control panel will lock on "Model Number" until a good link is again achieved, usually within a few seconds. If communication is not reestablished within a few seconds or this happens often, use the troubleshooting information below for suggestions.

#### **Symptom**

RS System operation is slow or display is erratic.

#### **Cause**

Replace socketed chip in OneTouch printed circuit board with Firmware B09 or newer.

#### **Symptom**

LCD screen display stays on "Firmware B11".

#### **Cause**

No communication between indoor Control Panel and Power Center J-box.

1. Confirm dip switch settings on both the Indoor Control Panel Transceiver and Power Center Transceiver are as follows:
  - DIPs 1-7 are set identical
  - DIP 8 is ON at Power Center J-box PCB
  - DIP 8 is OFF at Control Panel Transceiver PCB
2. At the Power Center J-box Transceiver board, press the SW1 setup button and confirm that the green LED flashes approximately 10 times. You may need to press SW1 more than one time or turn the power off and back on to get the LED to flash.
3. Repeat Step 2 for the Indoor Desktop Control Panel.
4. Recheck the Indoor Desktop Control Panel for proper performance.
5. If there is no communication yet, check LED's at the Power Center J-box Transceiver PCB:
  - Red LED must be lit to indicate power. If red LED is not lit check 4-conductor wire connection to the red 4-pin terminal bar at the Power Center.
  - Amber middle LED must blink continually. If not blinking, transceiver needs to be replaced with part #8114 or #8241 depending on the manufacture date. If amber LED is blinking at Power Center J-box Transceiver, go to the Indoor Control Panel.
6. If still no communication, check LED's at the Indoor Control Panel Transceiver PCB.
  - At the Indoor Control Panel Transceiver PCB, confirm that the red LED is on indicating power. If red LED is not lit, confirm unit is plugged into wall socket and 4-conductor wires are connected to the red 4-pin terminal bar on the Indoor Control Panel PCB.
  - If green LED is lit, indicates correct data is being received from the Power Center. If green LED is not lit, there is an obstruction of the RF signal caused by metal barriers.
  - Test Indoor Control Panel in close proximity to Power Center. If the unit tests okay, the placement of one or both transceivers needs to be moved for proper communication.
  - If green LED is lit, verify that the middle amber LED is blinking continuously which indicates data transmission from the Indoor Control Panel to the Power Center.
  - Go to the Power Center and verify that the green LED is lit, indicating correct data being received from the Indoor Control Panel.
  - This completes verification of the data transmission loop from the Power Center to the Indoor Control Panel and back.
7. Wireless Control Panel does not revert to sleep mode after 30 seconds, install OneTouch PCB firmware revision "B11".