



Installation Manual



Jandy® Underwater Pool and Spa White Lights

WARNING

FOR YOUR SAFETY - This product must be installed and serviced by a professional pool/spa builder or service technician. The procedures in this manual must be followed exactly. Failure to follow warning notices and instructions may result in property damage, serious injury, or death. Improper installation and/or operation will void the warranty. Before installing this product, read and follow all warning notices and instructions that accompany this light.

Table of Contents

Section 1. Safety Information	4	Section 6. Operating Instructions	10
Section 2. Product Description and Model Numbers	5	6.1 To Operate the Light	10
Section 3. Installing Jandy Light Fixture during New Construction.....	6	Section 7. Replacing The Lamp	11
3.1 Preparing the Light Fixture for Installation ...	6	Section 8. Twelve (12) Volt Installation.....	13
3.2 Installing the Light Fixture	7	Section 9. Exploded View and Replacement Parts	14
Section 4. Replacing Jandy Light Fixture in an Existing Pool or Spa	7	9.1 Jandy Pool White Light	14
4.1 Preparing the Light Fixture for Replacement.....	8	9.2 Jandy Spa White Light.....	15
4.2 Replacing the Light Fixture	8		
Section 5. Wiring Options for Controlling Jandy Pool or Spa White Lights.....	9		
5.1 Wiring to an AquaLink® RS Control System.	9		
5.2 Wiring to a Time Clock.....	10		
5.3 Wiring to a Switch	10		

Figures and Tables

Figure 1. Jandy Pool White Light Installation	6	Table 1. Lamp Specifications	11
Figure 2. Jandy Spa White Light Installation	6		
Figure 3. 120-Volt Jandy Pool and Spa White Light Wiring Diagram	10		
Figure 4. 12-Volt Jandy Pool and Spa White Light Wiring Diagram	10		
Figure 5. Wiring the Jandy Pool and Spa White Light to a Time Clock	10		
Figure 6. Wiring the Jandy Pool and Spa White Light to a Switch.....	10		
Figure 7. Removing the Pool and Spa White Light Assembly for Lamp Replacement	12		
Figure 8. Alignment of the Lens, Face Ring, Housing and Clamps for Pool White Lights	12		
Figure 9. Jandy Pool White Light Exploded View....	14		
Figure 10. Jandy Pool White Light, Front and Back View	14		
Figure 11. Cross Section of Jandy Pool White Light.	14		
Figure 12. Jandy Spa White Light Exploded View	15		
Figure 13. Jandy Spa White Light, Front and Back View	15		
Figure 14. Cross Section of Jandy Spa White Light..	15		

Section 1. Safety Information

IMPORTANT SAFETY INSTRUCTIONS PERTAINING TO A RISK OF FIRE, ELECTRIC SHOCK, OR INJURY TO PERSONS

READ AND FOLLOW ALL INSTRUCTIONS

When installing and using this electrical equipment, basic safety precautions should always be followed, including the following:

WARNING

RISK OF ELECTRICAL SHOCK OR ELECTROCUTION. This underwater light must be installed by a licensed or certified electrician in accordance with the National Electrical Code in the US, the Canadian Electrical Code in Canada, and applicable local codes and ordinances. Improper installation will create an electrical hazard, which could result in death or serious injury to pool or spa users, installers, or others due to electrical shock, and may also cause damage to property. Read and follow the specific instructions below.

WARNING

Before installing this underwater light, read and follow all warning notices and instructions accompanying this light. Failure to follow safety warnings and instructions can result in severe injury, death, or property damage. Call (707) 776-8200 for additional free copies of these instructions.

CAUTION

Except when the Jandy Pool and Spa lights are installed in an area of the swimming pool that is not used for swimming and the lens is adequately guarded to keep any person from contacting it, the light shall be installed in or on a wall of the pool, with the top of the lens opening not less than 18 inches (457 mm) below the normal water level of the pool



ATTENTION INSTALLER: This manual contains important information about the installation, operation and safe use of this product. This information should be given to the owner/operator of this equipment.

NOTICE

The Jandy Pool and Spa lights are intended for installation in fresh water and non-fresh water swimming pools and spas. It is important to ensure that the wet niches in which the lights are installed are intended for their appropriate application, either fresh water or non-fresh water.

SAVE THESE INSTRUCTIONS

Section 2. Product Description and Model Numbers

Jandy Model Number	Jandy White Light Size	Voltage	Watts	Cord Length	Face Ring Material
WPLV100WS30	Pool	12 Volt AC	100	30 feet	Stainless Steel
WPLV100WS50	Pool	12 Volt AC	100	50 feet	Stainless Steel
WPLV100WS100	Pool	12 Volt AC	100	100 feet	Stainless Steel
WPLV100WS50C	Pool (Canadian)	12 Volt AC	100	50 feet	Stainless Steel
WPLV100WS100C	Pool (Canadian)	12 Volt AC	100	100 feet	Stainless Steel
WPLV300WS30	Pool	12 Volt AC	300	30 feet	Stainless Steel
WPLV300WS50	Pool	12 Volt AC	300	50 feet	Stainless Steel
WPLV300WS100	Pool	12 Volt AC	300	100 feet	Stainless Steel
WPLV300WS50C	Pool (Canadian)	12 Volt AC	300	50 feet	Stainless Steel
WPLV300WS100C	Pool (Canadian)	12 Volt AC	300	100 feet	Stainless Steel
WPHV300WS30	Pool	120 Volt AC	300	30 feet	Stainless Steel
WPHV300WS50	Pool	120 Volt AC	300	50 feet	Stainless Steel
WPHV300WS100	Pool	120 Volt AC	300	100 feet	Stainless Steel
WPHV300WS150	Pool	120 Volt AC	300	150 feet	Stainless Steel
WPHV300WS250	Pool	120 Volt AC	300	250 feet	Stainless Steel
WPHV300WS50C	Pool (Canadian)	120 Volt AC	300	50 feet	Stainless Steel
WPHV300WS100C	Pool (Canadian)	120 Volt AC	300	100 feet	Stainless Steel
WPHV500WS30	Pool	120 Volt AC	500	30 feet	Stainless Steel
WPHV500WS50	Pool	120 Volt AC	500	50 feet	Stainless Steel
WPHV500WS100	Pool	120 Volt AC	500	100 feet	Stainless Steel
WPHV500WS150	Pool	120 Volt AC	500	150 feet	Stainless Steel
WPHV500WS250	Pool	120 Volt AC	500	250 feet	Stainless Steel
WPHV500WS50C	Pool (Canadian)	120 Volt AC	500	50 feet	Stainless Steel
WPHV500WS100C	Pool (Canadian)	120 Volt AC	500	100 feet	Stainless Steel
WPLV100WP100	Pool	12 Volt AC	100	100 feet	Plastic
WPLV300WP100	Pool	12 Volt AC	300	100 feet	Plastic
WPHV300WP100	Pool	120 Volt AC	300	100 feet	Plastic
WPHV500WP100	Pool	120 Volt AC	500	100 feet	Plastic
WSLV100WS30	Spa	12 Volt AC	100	30 feet	Stainless Steel
WSLV100WS50	Spa	12 Volt AC	100	50 feet	Stainless Steel
WSLV100WS100	Spa	12 Volt AC	100	100 feet	Stainless Steel
WSLV100WS50C	Spa (Canadian)	12 Volt AC	100	50 feet	Stainless Steel
WSLV100WS100C	Spa (Canadian)	12 Volt AC	100	100 feet	Stainless Steel
WSHV100WS30	Spa	120 Volt AC	100	30 feet	Stainless Steel
WSHV100WS50	Spa	120 Volt AC	100	50 feet	Stainless Steel
WSHV100WS100	Spa	120 Volt AC	100	100 feet	Stainless Steel
WSHV100WS150	Spa	120 Volt AC	100	150 feet	Stainless Steel
WSHV100WS250	Spa	120 Volt AC	100	250 feet	Stainless Steel
WSHV100WS50C	Spa (Canadian)	120 Volt AC	100	50 feet	Stainless Steel
WSHV100WS100C	Spa (Canadian)	120 Volt AC	100	100 feet	Stainless Steel
WSLV100WP100	Spa	12 Volt AC	100	100 feet	Plastic
WSHV100WP100	Spa	120 Volt AC	100	100 feet	Plastic

Section 3. Installing Jandy Light Fixture during New Construction

⚠ WARNING

Risk of Electrical Shock or Electrocutation.

This underwater light must be installed by a licensed or certified electrician or a qualified pool or spa serviceman in accordance with the National Electrical Code in the US, the Canadian Electrical Code in Canada, and all applicable local codes and ordinances. Improper installation will create an electrical hazard, which could result in death or serious injury to pool or spa users, installers or others due to electrical shock, and may also cause damage to property.

Always disconnect the power to the pool or spa light at the circuit breaker before servicing the light. Failure to do so could result in death or serious injury to serviceman, pool or spa users or others due to electrical shock.

3.1 Preparing the Light Fixture for Installation

NOTE The electrician must complete preparatory steps before light fixture is installed; see Figure 1 (or Figure 2, for spa).

Ensure that the pool or spa meets the requirements of the current National Electrical Code in the US, the Canadian Electrical Code in Canada, and all applicable local codes and ordinances. A licensed or certified electrician must install the electrical system to meet or exceed those requirements before the underwater light is installed. Some of the requirements of the National Electrical Code, which the pool or spa's electrical systems must meet, are as follows:

1. The lighting circuit must have a Ground Fault Circuit Interrupter (GFCI) for line voltage 120 volt models, and must have an appropriately rated circuit breaker.
2. The Junction Box (or, for 12 volt models, the low voltage transformer) must be located at least eight (8) inches above water level, at least four (4) inches above ground level or pool deck level, and at least four (4) feet from the edge of the pool or spa; see Figure 1 for pools and Figure 2 for spas.
3. The light fixture and all metal items within five (5) feet of the pool or spa must be properly electrically bonded to a reliable point of grounding.

4. The wet niche must be properly installed so that the top edge of the underwater light's lens is at least 18 inches below the surface of the water in the pool or spa; see Figure 1 or 2.
5. The wet niche must be properly electrically bonded and grounded via the No. 8 AWG ground connector located at the rear of the niche; see Figure 1 or 2.

NOTE The pool or spa electrical system can be verified with a Pool and Spa Electrical Qualification Test kit. The test kit is available from local distribution. The electrical system inspection using this kit must be performed by trained and certified personnel. To be certain that the pool or spa's electrical system meets all applicable requirements, the electrician should also consult the local building department.

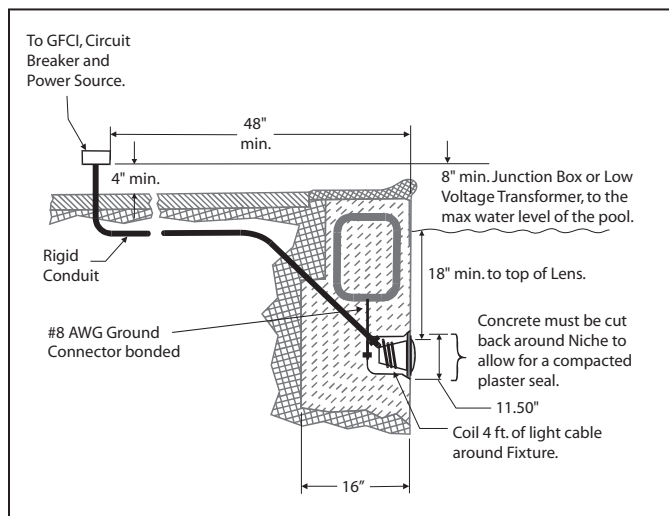


Figure 1. Jandy Pool White Light Installation

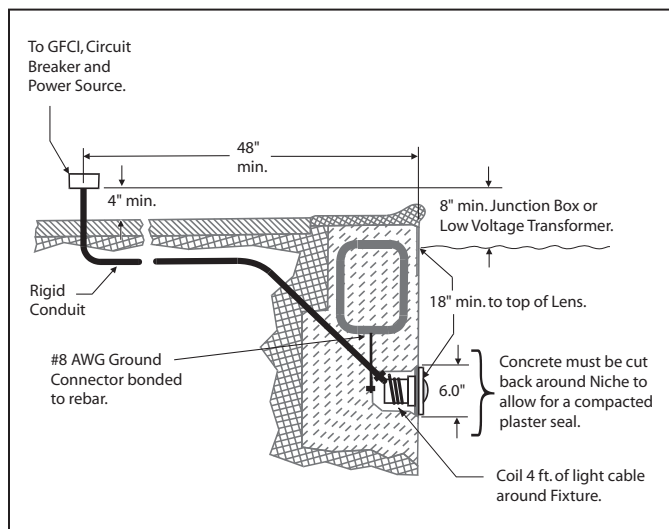


Figure 2. Jandy Spa White Light Installation

Use only approved wet niches (see following note) to ensure a safe and proper installation.

NOTE Jandy Pool and Spa Lights are ETL listed (ETL report/file 3101015CHI-002) for installation with *only* the following manufacturer's wet niche fixtures:

Large / Pool Type Niche Model Numbers:
 Jandy: PLNICLRG, PLNICVFLRG, SSNICLRG
 Pentair: 620004, 78210200 thru 700, 78210401, 79206700
 Hayward DuraNiche: SP0600U
 Sta-Rite: 05161-2352 thru 2369, 05163-2395 thru 2396

Small / Spa Type Niche Model Numbers:
 Jandy: PLCNICSM, SSNICSM
 Pentair: 78241100, 78242200, 78242300, 78243100 thru 300, 78244100 thru 300, 79206600
 Hayward DuraNiche: SP0601U
 Sta-Rite: 05166-1017 thru 1034, 05167-1035 thru 1037

3.2 Installing the Light Fixture

NOTE Perform these steps *only* after the electrical system requirements are met.

1. Feed cord through conduit to Junction Box, leaving at least four (4) feet of cord at the light fixture to coil around the light; see Figure 1 (or Figure 2, for spa). This four (4) feet of cord around the light allows the light to be serviced after the pool or spa is filled with water.
2. Cut the cord at the Junction Box, leaving at least six (6) inches of cord to make connections.
3. Strip six (6) inches of the outer cord jacket to expose the three insulated wires. *Be careful not to damage the insulation on the three (3) inner wires.*
4. Install strain relief over cord jacket and connect all three (3) wires to the corresponding circuit wires in the Junction Box. Install the Junction Box cover.

⚠ WARNING

Never operate this underwater light for more than 10 seconds unless it is totally submerged in water. Without total submersion, the light assembly will get extremely hot, which may result in serious burns or in breakage of the lamp or lens. This may result in serious injury to pool or spa users, installers, or bystanders or damage to property.

5. Coil the 4-foot length of cord around the fixture and place the light assembly into the niche.
6. Engage the retainer tab on the bottom of the face ring, then pivot the top of the fixture inward and tighten the special pilot screw.

⚠ WARNING

Use only the special pilot screw provided with this underwater light. This screw mounts and electrically grounds the mounting ring to the wet niche. Failure to use the screw provided could create an electrical hazard, which could result in death or serious injury to pool or spa users, installers or others due to electrical shock.

7. Fill the pool or spa until the underwater light is completely submerged in water before operating the light for more than 10 seconds. Turn on main switch or circuit breaker, and the switch, which operates the underwater light, to check for proper operation. Refer to *Section 6, Operating Instructions*.

Section 4. Replacing Jandy Light Fixture in an Existing Pool or Spa

⚠ WARNING

Risk of Electrical Shock or Electrocution.

This underwater light must be installed by a licensed or certified electrician or a qualified pool or spa serviceman in accordance with the National Electrical Code in the US, the Canadian Electrical Code in Canada, and all applicable local codes and ordinances. Improper installation will create an electrical hazard, which could result in death or serious injury to pool or spa users, installers or others due to electrical shock, and may also cause damage to property.

Always disconnect the power to the pool or spa light at the circuit breaker before servicing the light. Failure to do so could result in death or serious injury to serviceman, pool or spa users or others due to electrical shock.

4.1 Preparing the Light Fixture for Replacement

Verify that the pool or spa meets the requirements of the current National Electrical Code in the US, the Electrical Code in Canada, and all applicable local codes and ordinances. A licensed or certified electrician must install the electrical system to meet or exceed those requirements before the underwater light is installed. Some of the requirements of the National Electrical Code, which the pool or spa's electrical system must meet, are as follows:

1. The lighting circuit must have a Ground Fault Circuit Interrupter (GFCI) for line voltage 120 volt models, and must have an appropriately rated circuit breaker.
2. The Junction Box (or, for 12 volt models, the low voltage transformer) must be located at least eight (8) inches above water level, at least four (4) inches above ground level or pool deck level, and at least 48 inches from the edge of the pool or spa; see Figure 1 (or Figure 2, for spa).
3. The light fixture and all metal items within five (5) feet of the pool or spa must be properly electrically bonded to a reliable point of grounding.
4. The wet niche must be properly installed so that the top edge of the underwater light's lens is at least 18 inches below the surface of the water in the pool or spa; see Figure 1 (or Figure 2, for spa).
5. The wet niche must be properly electrically bonded and grounded via the No. 8 AWG ground connector located at the rear of the niche; see Figure 1 (or Figure 2, for spa).

To be certain that the pool or spa's electrical system meets all applicable requirements, the electrician should also consult the local building department.

4.2 Replacing the Light Fixture

NOTE Perform these steps *only* after the electrical system requirements are met.

WARNING

Failure to bring the pool or spa's electrical system up to code requirements before installing the underwater light will create an electrical hazard which could result in death or serious injury to pool or spa users, installers, or others due to electrical shock, and may also cause damage to property.

NOTE The light fixture may be replaced without removing water from the pool or spa.

1. Turn off the **main** electrical switch or circuit breaker, as well as the switch, which operates the underwater light.
2. Unscrew the special pilot screw at the top of the face ring and remove the light assembly from the niche, and place the assembly on the deck.

WARNING

Be sure to keep the special pilot screw from this underwater light. This screw mounts and electrically grounds the housing securely to the mounting ring and wet niche. Failure to use the screw provided could create an electrical hazard, which could result in death or serious injury to pool or spa users, installers or others due to electrical shock.

3. Remove the Junction Box cover, disconnect the light fixture wires and strain relief, and then pull the cord out of the conduit from the niche.
4. Feed the new light fixture cord through the conduit from the niche to the Junction Box.

NOTE Depending on the length of the conduit, special tools may be required to pull the cord through the conduit.

5. Leave at least four (4) feet of cord to coil around the light fixture; see Figure 1 (or Figure 2, for spa). This allows the light to be serviced after the pool or spa is filled with water.
6. Cut the cord at the Junction Box, leaving at least six (6) inches of cord to make connections.
7. Strip six (6) inches of the outer cord jacket from the cord to expose the three insulated wires. Be careful not to damage the insulation on the three inner wires.
8. Install the strain relief over the cord jacket and connect all three wires to the corresponding circuit wires in the Junction Box. Install the Junction Box cover.

9. Reinstall the light assembly into the niche and tighten the special pilot screw.

⚠ WARNING

Use only the special pilot screw provided with this underwater light. This screw mounts and electrically grounds the mounting ring to wet niche. Failure to use the screw provided could create an electrical hazard, which could result in death or serious injury to pool or spa users, installers or others due to electrical shock.

10. Fill the pool or spa until the underwater light is completely submerged in water before operating the light for more than 10 seconds. Turn on main switch or circuit breaker, as well as the switch, which operates the underwater light, to check for proper operation. Refer to *Section 6, Operating Instructions*.

⚠ WARNING

Never operate this underwater light for more than 10 seconds unless it is totally submerged in water. Without total submersion, the light assembly will get extremely hot, which may result in serious burns or in breakage of the lamp or lens. This may result in serious injury to pool or spa users, installers, or bystanders or in damage to property.

Section 5. Wiring Options for Controlling Jandy Pool or Spa White Lights

NOTE The **Jandy Pool and Spa White Lights** can be dimmed when an optional Light Dimming Module is added to the control system or control switch.

To the extent allowed by code and capacity of the electrical equipment, multiple **Jandy Pool and Spa White Lights** may be controlled with a single switch.

5.1 Wiring to an AquaLink® RS Control System

The **Jandy Pool and Spa White Lights** can be wired into the Jandy AquaLink RS control system to provide simplified operation of the lights. Connect the lights to one of the auxiliary relays in the Power Center.

NOTE It is recommended to connect one light per relay so each light can be controlled separately. However, up to four lights can be connected on a single relay. If there are more than four lights installed on one AquaLink RS system, ensure there is more than one auxiliary relay available in the Power Center.

Refer to Figures 3 and 4 to connect the **Jandy Pool and Spa White Lights** to the Power Center.

⚠ CAUTION

A Ground Fault Circuit Interrupter (GFCI) must be provided for 120 volt models. The conductors on the load side of the GFCI circuit shall not occupy conduit, boxes, or enclosures containing other conductors unless the additional conductors are also protected by a GFCI. Refer to local codes for complete details.

NOTE The **Jandy Pool and Spa White Lights** are available in 120-volt and 12-volt versions. If installing a 12-volt light, a 120-volt/12-volt step-down (AC) transformer *must* be used. For more information about 12-volt installations, refer to *Section 8* of this manual.

5.2 Wiring to a Time Clock

The **Jandy Pool and Spa White Lights** can be wired into a basic time clock to automatically turn on the lights at a predesignated time. Refer to Figure 5 to connect the lights into the time clock.

5.3 Wiring to a Switch

The **Jandy Pool and Spa White Lights** can be wired into a switch to manually turn on/off the lights. Refer to Figure 6 to connect the lights into the switch.

Section 6. Operating Instructions

6.1 To Operate the Light

Activate the light by either turning on the switch, setting a program, or by pushing the button on a pool and spa controller.

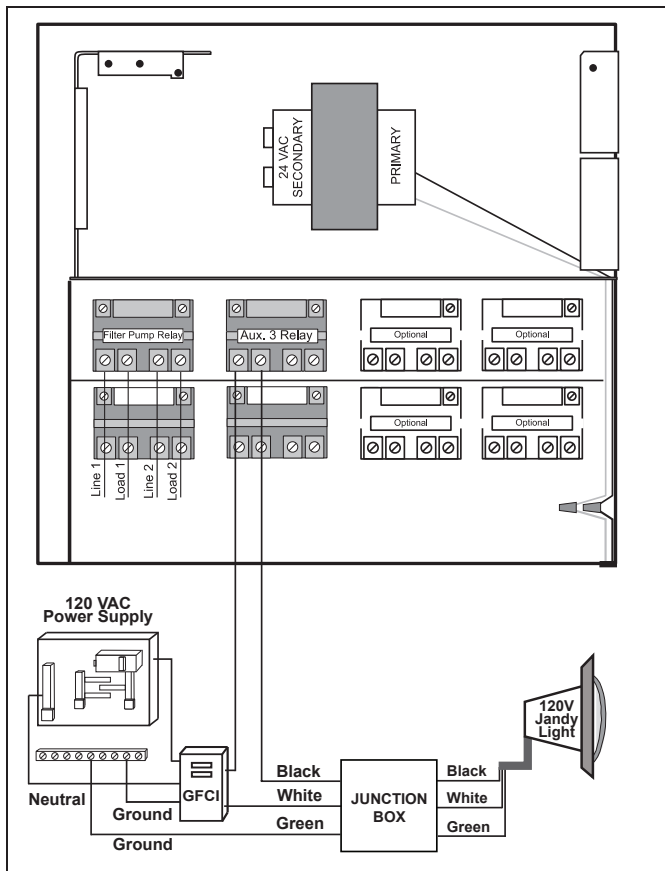


Figure 3. 120-Volt Jandy Pool and Spa White Light Wiring Diagram

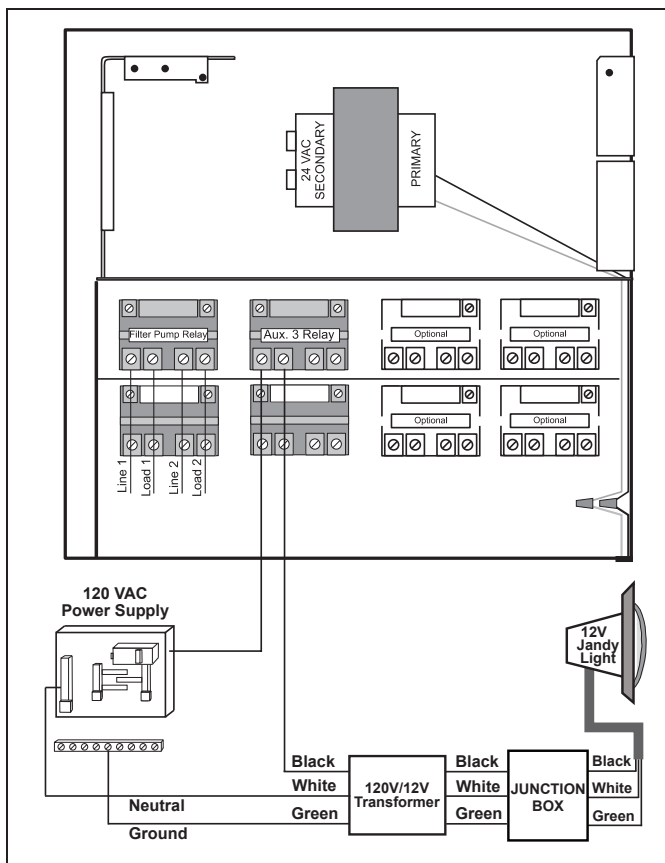


Figure 4. 12-Volt Jandy Pool and Spa White Light Wiring Diagram

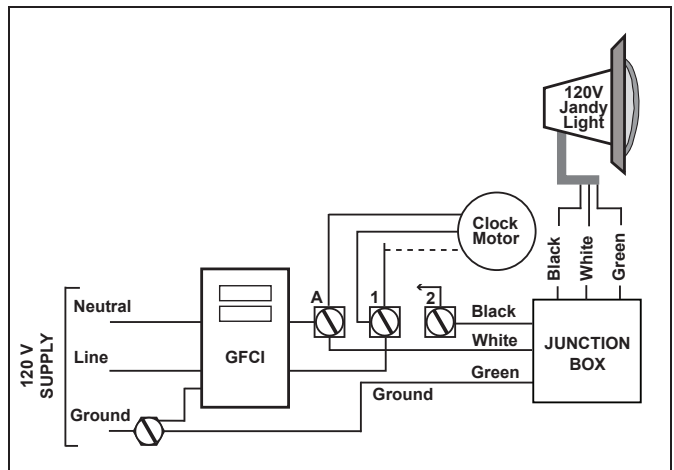


Figure 5. Wiring the Jandy Pool and Spa White Light to a Time Clock

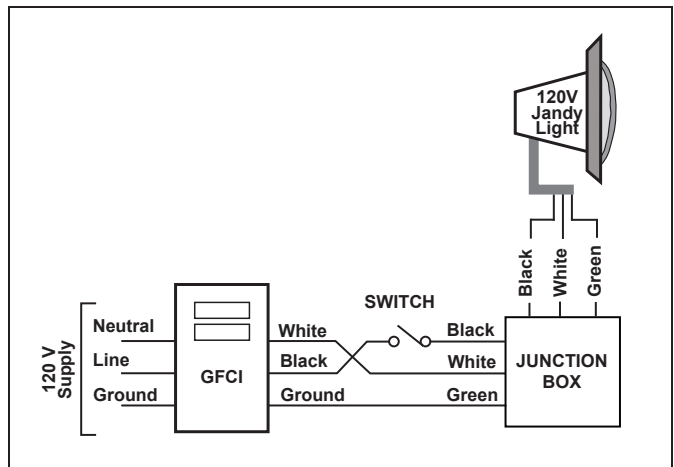


Figure 6. Wiring the Jandy Pool and Spa White Light to a Switch

Section 7. Replacing The Lamp

WARNING

Always disconnect power to the pool or spa white light at the circuit breaker before servicing the light. Failure to do so could result in death or serious injury to installer, serviceman, pool or spa users or others due to electrical shock.

1. Turn off the main electrical switch or circuit breaker, as well as the switch, which operates the underwater light.
2. Be sure to have the following items:
 - A new lens gasket (P/N R0451101 for Jandy Pool Light and P/N R0400501 for Jandy Spa Light).
 - One (1) new lamp. See Table 1 for specifications.

WARNING

Replace the lamp with one of the same type and wattage. Failure to replace the lamp with one of the same type will damage the light assembly and may cause an electrical hazard resulting in death or serious injury to pool or spa users, installers, or others due to electrical shock, and may also cause damage to property. Be sure the power is switched OFF before removing or installing lamps. Allow lamp to cool before replacing.

3. To remove the light assembly, unscrew the special pilot screw at the top of the face ring, remove light assembly from niche and gently place assembly on the deck. It is not necessary to drain down the pool or spa. See Figure 7.

4. Disassemble the light fixture and replace lamp as follows:

WARNING

Be sure to keep the special pilot screw from this underwater light. This screw mounts and electrically grounds the housing securely to the mounting ring and wet niche. Failure to use the screw provided could create an electrical hazard, which could result in death or serious injury to pool or spa users, installers or others due to electrical shock.

- a. Loosen the eight (8) Phillips head screws for pool light or the six (6) Phillips head screws for spa light to allow the bottom clamp to be removed from the face ring assembly. Do not remove the screws or the retaining rings. The retaining rings prevent the screws from falling free from the top clamp and also aid in ease of assembly.
- b. Remove the lower clamp, the face ring assembly, the glass lens, and the gasket from the fixture. Remove the gasket from the lens. Refer to *Section 9, Exploded View and Replacement Parts*.
- c. Install new lamp.

WARNING

Risk of Electrical Shock or Electrocution. Always install a new lens gasket whenever disassembling the light (for **Jandy Pool Light Gasket** P/N R0451101 and for **Jandy Spa Light Gasket** P/N R0400501). Failure to do so may permit water to leak into the assembly, which could cause:

- (a) An electrical hazard resulting in death or serious injury to pool or spa users, installers, or others due to electrical shock, or
- (b) Breakage of the lamp or lens, which likewise could result in serious injury to pool or spa users, installers, or bystanders, or in damage to property.

Jandy Model	Fixture Voltage	Lamp Voltage	Lamp Wattage	Lamp Type	Qty. per Fixture	Lamp Kit Part Number
Pool/Spa White Light	12 Volt AC	12V	100 Watt	R20 Flood	1	R0450501
Pool White Light	120 Volt AC	120V	300 Watt	R40 Flood	1	R0450502
Pool White Light	12 Volt AC	12V	300 Watt	R40 Flood	1	R0450503
Pool White Light	120 Volt AC	120V	500 Watt	R40 Flood	1	R0450504
Spa White Light	120 Volt AC	120V	100 Watt	R20 Flood	1	R0450505

Table 1. Lamp Specifications

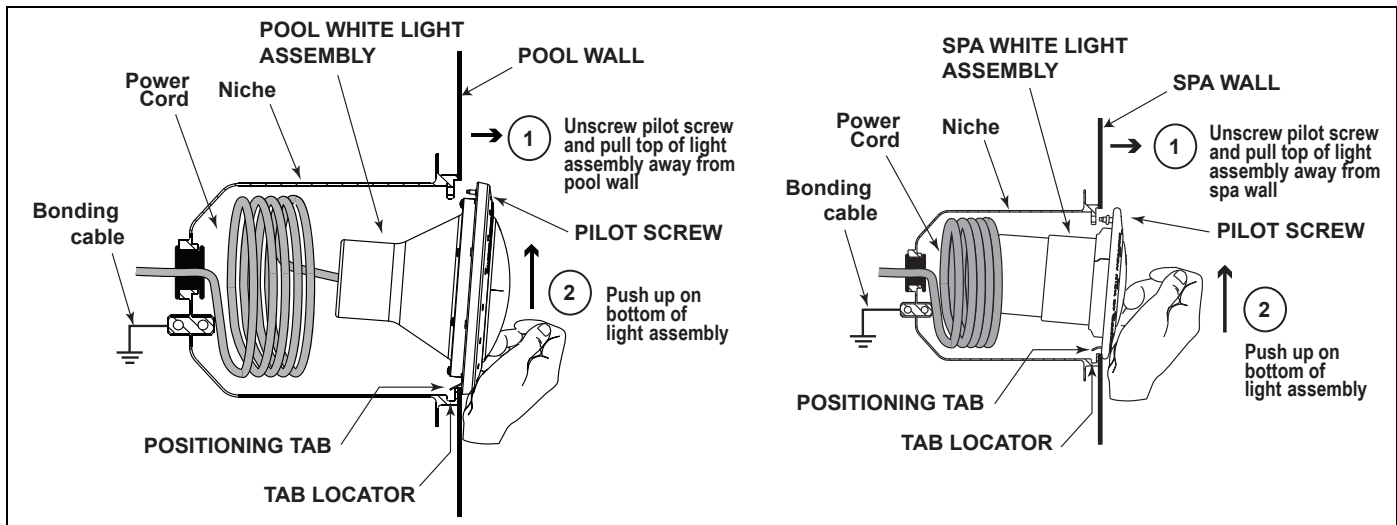


Figure 7. Removing the Pool and Spa White Light Assembly for Lamp Replacement

5. Reassemble the fixture as follows:

- a. If not already done, remove the gasket from the glass lens and install a new gasket, **Jandy Pool Light Gasket** (P/N R0451101) and **Jandy Spa Light Gasket** (P/N R0400501), on the lens.

NOTE A new lens gasket must be used each time the light is reassembled.

- b. While holding the fixture upright, place the glass lens with the gasket on top of the fixture. Please note that the lens gasket is not symmetrical. Therefore, it must be installed correctly so that the lens can seal to the fixture housing. Place the gasket on the lens so that the thick molded side of the gasket will mate with the housing when the lens is installed. See Figure 11.

- c. Position the lens and gasket on the fixture. Place the face ring and the top clamp over the lens and align the pilot screw with the small arrow mark on the face of the lens. Note that the small arrow mark on the face of the lens and the pilot screw of the face ring must be aligned with the arrow located on fixture label that reads, "Arrow on this label must line up with the pilot screw on the Face Ring". See Figure 8.
- d. While holding the aligned face ring assembly and fixture together, turn the assembly upside down and set it on the old gasket, using the old gasket as an assembly fixture. This will keep the lens and gasket assembly from being pushed out of the face ring while you secure it to the light fixture.
- e. Spread the bottom clamp over the electrical cord and slide it onto the back of fixture to the top clamp. See Figure 8.

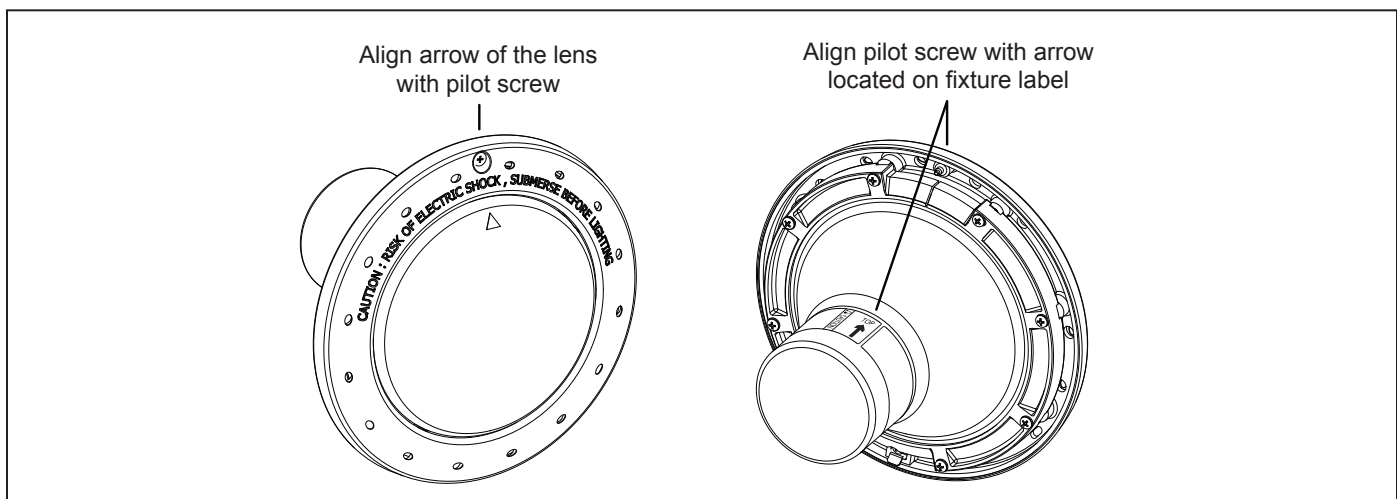


Figure 8. Alignment of the Lens, Face Ring, Housing and Clamps for Pool White Lights

- f. Tighten the eight (8) Phillips head screws for pool light or the six (6) Phillips head screws for spa light in alternating cross-pattern. Torque screws to approximately 20 in-lbs. Do not over-tighten.
 - g. Discard the old gasket.
6. Reinstall the Jandy Light into niche fixture.
- a. Coil four (4) feet of cord around the fixture and place the light assembly into the niche.
 - b. Engage the retainer tab on the bottom of the face ring, then pivot the top of the fixture inward and tighten the special pilot screw.

 **WARNING**

Use only the special pilot screw provided with this underwater light. This screw mounts and electrically grounds the housing securely to the mounting ring and wet niche. Failure to use the screw provided could create an electrical hazard, which could result in death or serious injury to pool or spa users, installers or others due to electrical shock.

7. If pool or spa is empty, fill pool or spa until the underwater light is completely submerged in water before operating the light for more than 10 seconds. Turn on main switch or circuit breaker, as well as the switch, which specifically operates the underwater light, to check for proper operation.

 **WARNING**

Never operate this underwater light for more than 10 seconds unless it is totally submerged in water. Without total submersion, the light assembly will get extremely hot, which may result in serious burns or in breakage of the lamp or lens. This may result in serious injury to pool or spa users, installers, or bystanders or in damage to property.

Section 8. Twelve (12) Volt Installation

A separate 12-Volt AC Transformer is required on all 12-Volt Models. Use an appropriately sized transformer for your model light.

NOTE For optimum performance Jandy recommends to use one transformer per 12-volt light.

To ensure compliance with the National Electrical Code in the US (Canadian Electrical Code in Canada), and to reduce the risk of electric shock which could result in serious injury or death, use only a transformer that has been listed or recognized by a Nationally Recognized Testing Laboratory (NRTL) for pool/spa application.

Section 9. Exploded View and Replacement Parts

9.1 Jandy Pool White Light

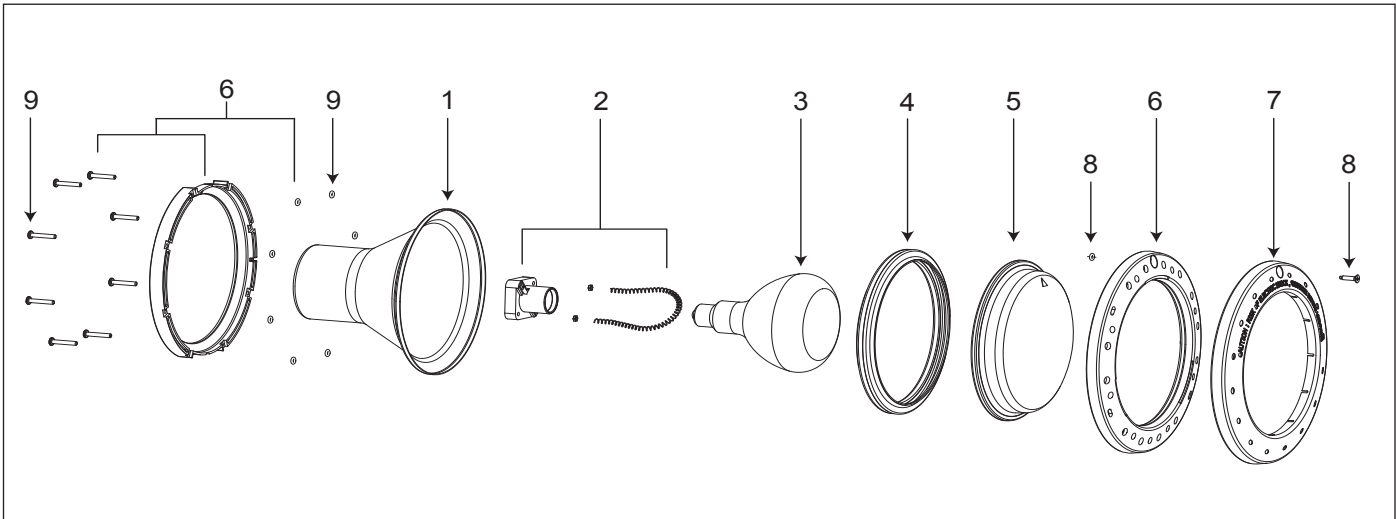


Figure 9. Jandy Pool White Light Exploded View

DWG #	Part #	Description	Field Replaceable
1	N/A	Pool Light Housing	<i>NO - Purchase New Light</i>
2	N/A	Lamp Holder	<i>NO - Purchase New Light</i>
3	R0450501	Lamp, 100 Watt, 12 Volt	YES
3	R0450502	Lamp, 300 Watt, 120 Volt	YES
3	R0450503	Lamp, 300 Watt, 12 Volt	YES
3	R0450504	Lamp, 500 Watt, 120 Volt	YES
4	R0451101	Silicone Gasket, Pool Light	YES
5	R0450601	Glass Lens, Pool Light	YES
6	R0450701	Clamp Assembly, Pool Light	YES
7	R0450801	Face Ring, Stainless Steel (SS), Pool Light	YES
7	R0450802	Face Ring, Plastic, White, Pool Light	YES
7	R0450803	Face Ring, Plastic, Black, Pool Light	YES
7	R0450804	Face Ring, Plastic, Gray, Pool Light	YES
7	R0450805	Face Ring, Plastic Set, Pool Light	YES
8	R0450901	Pilot Screw, with Retainer, Pool Light	YES
9	R0451001	Clamp Screw (8 Screws and 8 Retainers) Pool Light	YES

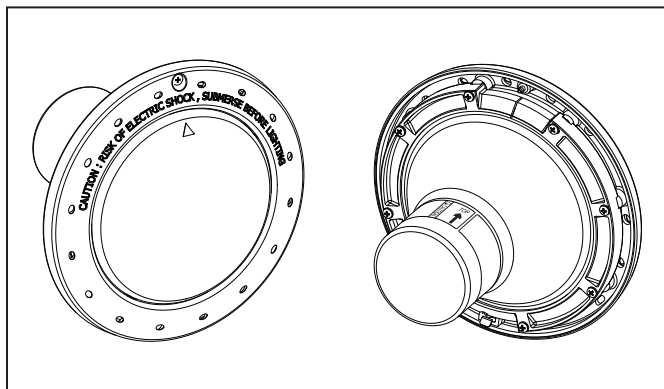


Figure 10. Jandy Pool White Light, Front and Back View

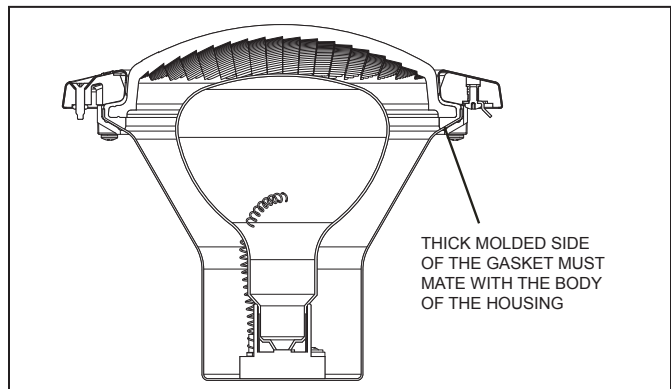


Figure 11. Cross Section of Jandy Pool White Light

9.2 Jandy Spa White Light

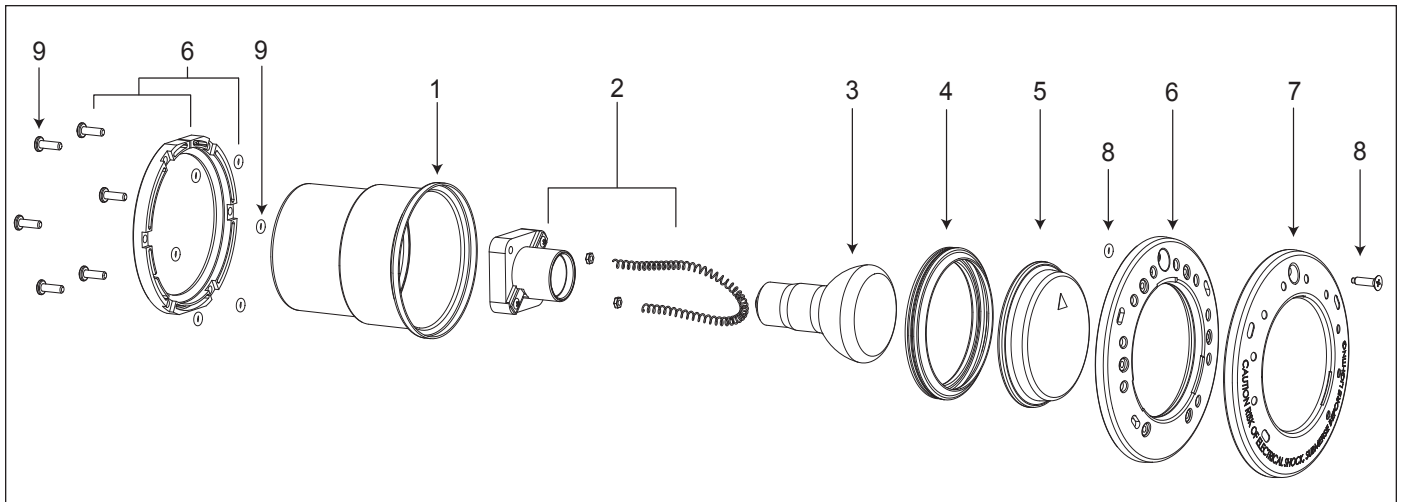


Figure 12. Jandy Spa White Light Exploded View

DWG #	Part #	Description	Field Replaceable
1	N/A	Spa Light Housing	NO - Purchase New Light
2	N/A	Lamp Holder	NO - Purchase New Light
3	R0450501	Lamp, 100 Watt, 12 Volt	YES
3	R0450505	Lamp, 100 Watt, 120 Volt	YES
4	R0400501	Silicone Gasket, Spa Light	YES
5	R0400601	Glass Lens, Spa Light	YES
6	R0451201	Clamp Assembly, Spa Light	YES
7	R0451301	Face Ring, Stainless Steel (SS), Spa Light	YES
7	R0451302	Face Ring, Plastic, White, Spa Light	YES
7	R0451303	Face Ring, Plastic, Black, Spa Light	YES
7	R0451304	Face Ring, Plastic, Gray, Spa Light	YES
7	R0451305	Face Ring, Plastic Set, Spa Light	YES
8	R0450901	Pilot Screw, with O-ring, Spa Light	YES
9	R0451401	Clamp Screw (6 Screws and 6 Retainers) Spa Light	YES

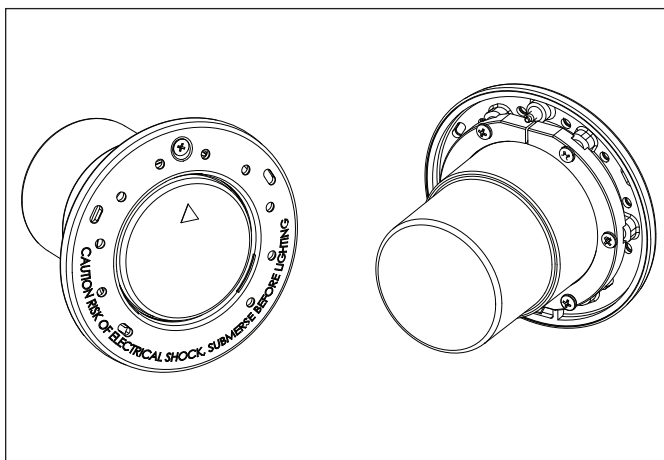


Figure 13. Jandy Spa White Light, Front and Back View

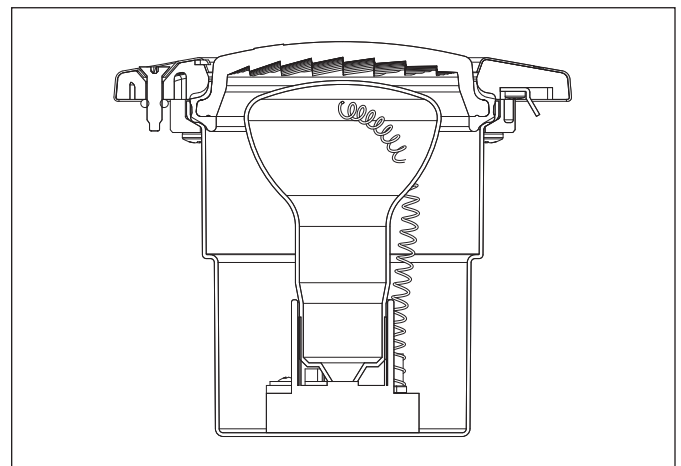


Figure 14. Cross Section of Jandy Spa White Light

LIMITED WARRANTY

Thank you for purchasing Jandy® pool and spa products. Jandy Pool Products, Inc. warrants all parts to be free from manufacturing defects in materials and workmanship for a period of one (1) year from the date of retail purchase, with the following exceptions:

- AquaLink® RS units installed with Jandy Surge Protection Kits will be covered for two (2) years.
- Never Lube® valves are warranted for the life of pool and/or spa on which they were originally installed.
- AquaPure® Electronic Chlorine Generator Electrolytic Cells carry a five (5) year limited warranty on a prorated basis.

This warranty is limited to the first retail purchaser, is not transferable, and does not apply to products that have been moved from their original installation sites. The liability of Jandy Pool Products, Inc. shall not exceed the repair or replacement of defective parts and does not include any costs for labor to remove and reinstall the defective part, transportation to or from the factory, and any other materials required to make the repair. This warranty does not cover failures or malfunctions resulting from the following:

1. Failure to properly install, operate or maintain the product(s) in accordance with our published Installation, Operation and Maintenance Manuals provided with the product(s).
2. The workmanship of any installer of the product(s).
3. Not maintaining a proper chemical balance in your pool and/or spa [pH level between 7.2 and 7.8, Total Alkalinity (TA) between 80 to 120 ppm, Total Dissolved Solids (TDS) less than 2000 not including salt ppm].
4. Abuse, alteration, accident, fire, flood, lightning, rodents, insects, negligence or acts of God.
5. Scaling, freezing, or other conditions causing inadequate water circulation.
6. Operating the product(s) at water flow rates outside the published minimum and maximum specifications.
7. Use of non-factory authorized parts or accessories in conjunction with the product(s).
8. Chemical contamination of combustion air or improper use of sanitizing chemicals, such as introducing sanitizing chemicals upstream of the heater and cleaner hose or through the skimmer.
9. Overheating; incorrect wire runs; improper electrical supply; collateral damage caused by failure of O-Rings, DE grids, or cartridge elements; or damage caused by running the pump with insufficient quantities of water.

LIMITATION OF LIABILITY:

This is the only warranty given by Jandy Pool Products, Inc. No one is authorized to make any other warranties on behalf of Jandy Pool Products, Inc. **THIS WARRANTY IS IN LIEU OF ALL OTHER WARRANTIES, EXPRESSED OR IMPLIED, INCLUDING BUT NOT LIMITED TO ANY IMPLIED WARRANTIES OF FITNESS FOR A PARTICULAR PURPOSE AND MERCHANTABILITY. JANDY POOL PRODUCTS, INC. EXPRESSLY DISCLAIMS AND EXCLUDES ANY LIABILITY FOR CONSEQUENTIAL, INCIDENTAL, INDIRECT OR PUNITIVE DAMAGES FOR BREACH OF ANY EXPRESSED OR IMPLIED WARRANTY.** This warranty gives you specific legal rights. You may also have other rights that vary by state or province.

WARRANTY CLAIMS:

For prompt warranty consideration, contact your dealer and provide the following information: proof of purchase, model number, serial number and date of installation. The installer will contact the factory for instructions regarding the claim and to determine the location of the nearest designated service center. If the dealer is not available, you can locate a service center in your area by visiting www.jandy.com or by calling our technical support department at (707) 776-8200 extension 260. All returned parts must have a Returned Material Authorization number to be evaluated under the terms of this warranty.



6000 Condor Drive, Moorpark, CA, USA 93021 • 707.776.8200 FAX 707.763.7785

Litho in U.S.A. © 2007 Jandy Pool Products, Inc. 0712

For technical support call 707-776-8200, ext. 260