

Flush-Mount Return Fitting with Water Stop, Eyeball and Nut (Fits 1" or 1½" Pipe)

FEATURES

- Slips inside 1½" pipe or outside 1" pipe
- Finishes flush, no protrusion past the surface
- Integrated water stop to reduce leaks
- Eyeball available in four orifice sizes (1", ¾", ½", slotted)
- Manufactured from engineered polymer
- UV-resistant ABS material
- 250 per case
- Additional orifice size suffix: ¾"-B, ½"-C, slotted-D (i.e. 301B = white ¾" orifice)
- Also available in Clear (p/n 300)

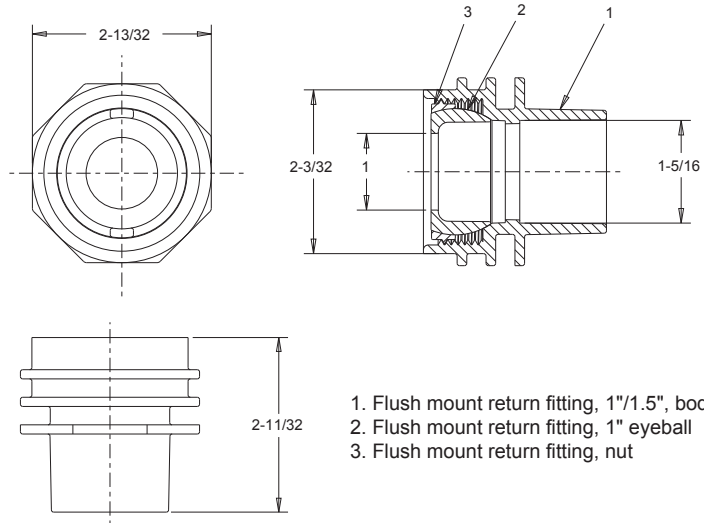
100



Part # 3xx

STANDARD COLORS

- | | |
|------------------------------|------------------------------|
| <input type="checkbox"/> 101 | <input type="checkbox"/> 104 |
| <input type="checkbox"/> 102 | <input type="checkbox"/> 105 |
| <input type="checkbox"/> 103 | <input type="checkbox"/> 108 |



1. Flush mount return fitting, 1"/1.5", body
2. Flush mount return fitting, 1" eyeball
3. Flush mount return fitting, nut