

## 4" Round Hockey Puck Sumplless Suction Outlet Cover

### VGB Series

The AquaStar line of suction outlet covers, compliant with the new Virginia Graeme-Baker Pool and Spa Safety Act (ANSI/APSP 16-2011 and NSF 50-2008)

#### Features

For single or multiple drain use in gunite, steel, vinyl, fiberglass and tile pools and spas (see installation instructions)

Single – sumplless

Floor/wall: 56 GPM at 3.5 fps

Floor/wall: 24.4 GPM at 1.5 fps

5.2 square inch opening

Trademarked VGB compliance button easily identifies VGB 2008 compliant cover from on deck and underwater

#316 stainless steel screws, qty 3 for brass inserts

Manufactured from superior UV-resistant engineered polymers

All components meet or exceed ANSI/APSP 16-2011 and NSF 50-2008 national standards and ASTM G154 UV testing exposure

Easily and safely retrofits many HydroAir/ITT parts

Listed with IAMPO R&T

See page 7 for six different adapter plates that are sold separately, available for sumplless connections to 1022s, 1.5" female adapters, 1.5" and 2" inside and outside slip and threads






25 per case

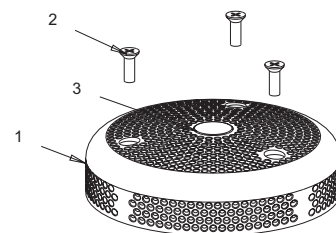
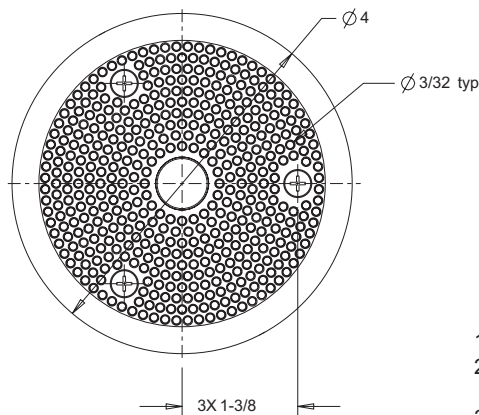
#### No sump required!



Part # 4HPxxx

#### STANDARD COLORS

	101		105
	102		108
	103		



1. 4" suction outlet cover
2. 8-32 x 1/2" lg flat head phillips screw, 316 ss, qty 3
3. VGB 2008 "color code" swimming man

VGB 2008 Compliant

# ADDITIONAL PRODUCT CONFIGURATIONS FOR 4HPxxx (sold separately)

STANDARD COLORS  101  102  103  105  108

## Features: Adapter Plates for 4HPxxx

For single or multiple drain use in gunite, steel, vinyl, fiberglass and tile pools and spas (see installation instructions)

Three brass inserts

Manufactured from superior UV-resistant engineered polymers/ABS

All components meet or exceed ANSI/APSP 16-2011 and NSF 50-2008 national standards and ASTM G154 UV testing exposure

Seven different combinations available for sumless connections to 1022s, 1.5" female adapters, 1.5" and 2" inside and outside slip and threads; baseplates sold separately

25 per case

### Code Key:

4 = for 4HPxxx

xxx = color

(i.e. 101 = white)

HP = "hockey puck" cover 25 = 2 1/2"

15 = 1 1/2"

20 = 2"

Soc. = socket, slip

SPG = spigot, slip

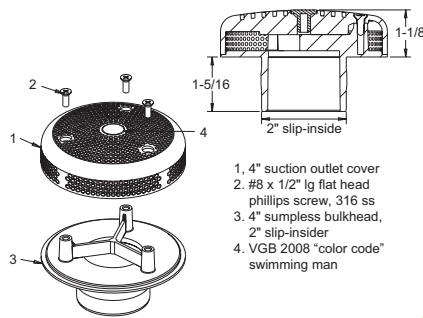
SI = Slip Insider

T = Thread

### 4" Bulkhead Adapter with 2" Slip-Insider Sumless Fitting (sold separately)



Part #  
420SIxxx

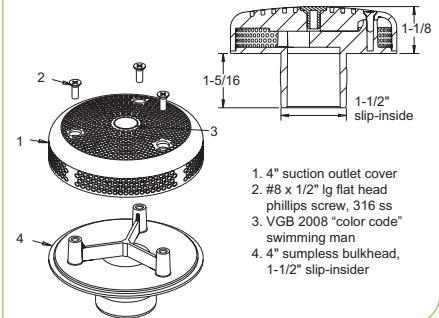


1. 4" suction outlet cover
2. #8 x 1/2" lg flat head phillips screw, 316 ss
3. 4" sumless bulkhead, 2" slip-insider
4. VGB 2008 "color code" swimming man

### 4" Bulkhead Adapter with 1 1/2" Slip-Insider Sumless Fitting (sold separately)



Part #  
415SIxxx

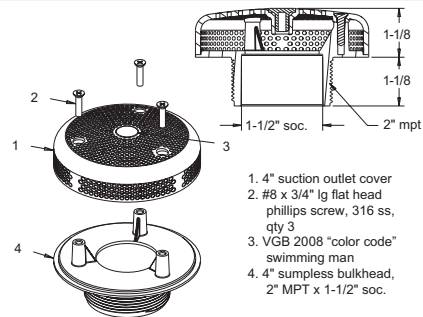


1. 4" suction outlet cover
2. #8 x 1/2" lg flat head phillips screw, 316 ss
3. VGB 2008 "color code" swimming man
4. 4" sumless bulkhead, 1-1/2" slip-insider

### 4" Bulkhead Adapter with 2" Threaded x 1 1/2" Socket Sumless Fitting (sold separately)



Part #  
420T15Sxxx

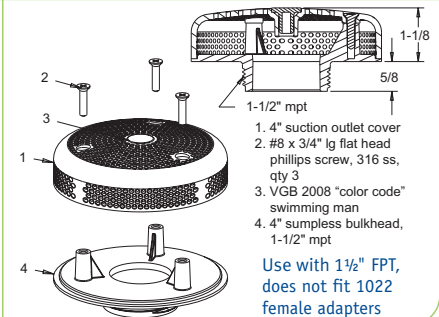


1. 4" suction outlet cover
2. #8 x 3/4" lg flat head phillips screw, 316 ss, qty 3
3. VGB 2008 "color code" swimming man
4. 4" sumless bulkhead, 2" MPT x 1-1/2" soc.

### 4" Bulkhead Adapter with 1 1/2" Threaded Sumless Fitting (sold separately)



Part #  
415Txxx



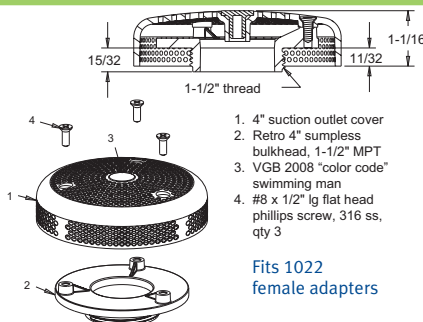
1. 4" suction outlet cover
2. #8 x 3/4" lg flat head phillips screw, 316 ss, qty 3
3. VGB 2008 "color code" swimming man
4. 4" sumless bulkhead, 1-1/2" mpt

Use with 1 1/2" FPT, does not fit 1022 female adapters

### Retrofit 4" Bulkhead Adapter with 1 1/2" Threaded Sumless Fitting (sold separately)



PART #  
R415Txxx  
Also retrofits HydroAir #30-6906 and #30-6806



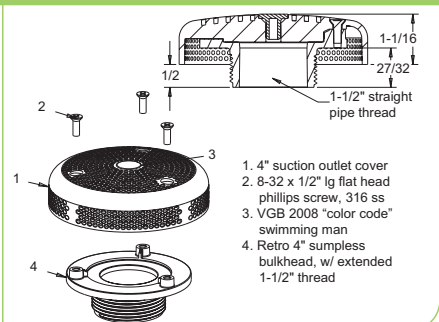
1. 4" suction outlet cover
2. Retro 4" sumless bulkhead, 1-1/2" MPT
3. VGB 2008 "color code" swimming man
4. #8 x 1/2" lg flat head phillips screw, 316 ss, qty 3

Fits 1022 female adapters

### Retrofit 4" Bulkhead Adapter with 1 1/2" Threaded Sumless Fitting (sold separately)



PART #  
RE415Txxx  
Also retrofits HydroAir #30-6906 and #30-6806



1. 4" suction outlet cover
2. 8-32 x 1/2" lg flat head phillips screw, 316 ss
3. VGB 2008 "color code" swimming man
4. Retro 4" sumless bulkhead, w/ extended 1-1/2" thread