

## 4" ROUND HOCKEY PUCK SUMPLESS SUCTION OUTLET COVER

### VGB Series

The AquaStar line of suction outlet covers, compliant with the Virginia Graeme-Baker Pool and Spa Safety Act (ANSI/APSP 16-2011 and NSF/ANSI 50-2009a)

#### FEATURES

For single or multiple drain use in gunite pools and spas (see installation instructions)

Single – sumpless

Floor/wall: 56 GPM at 3.5 fps

Floor/wall: 24.4 GPM at 1.5 fps

Floor/wall: 16.2 GPM at 1.0 fps

5.2 square inch opening

Trademarked VGB compliance button easily identifies VGB 2008 compliant cover from on deck and underwater

#316 stainless steel screws (3) for brass inserts

Manufactured from superior UV-resistant engineered polymers

All components meet or exceed ANSI/APSP 16-2011 and NSF/ANSI 50-2009a national standards and ASTM G154 UV testing exposure

Easily and safely retrofits many HydroAir/ITT parts

See next page for six adapter plates sold separately, available for sumpless connections to 1022s, 1.5" female adapters, 1.5" and 2" inside and outside slip and threads

Replace every five years from the date of installation

25 per case

### No sump required!

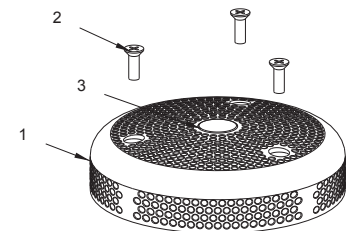
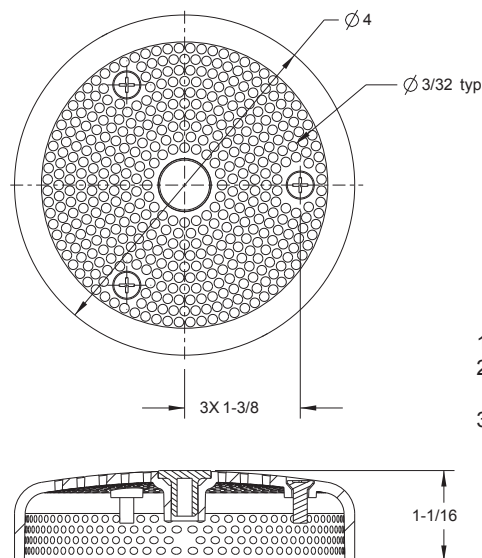


Part # 4HPxxx

#### STANDARD COLORS

- 4HP101 – White
- 4HP102 – Black
- 4HP103 – Light Gray
- 4HP104 – Blue
- 4HP105 – Dark Gray
- 4HP108 – Tan

VGB 2008 Compliant



1. 4" suction outlet cover
2. 8-32 x 1/2" lg flat head Phillips screw, 316 ss, qty 3
3. VGB 2008 "color code" swimming man

## ADDITIONAL PRODUCT CONFIGURATIONS FOR 4HPXXX (sold separately)

STANDARD COLORS  101  102  103  104  105  108

### FEATURES: Adapter Plates for 4HPxxx and 6HPHxxx (see pages 12-13)

For single or multiple drain use in gunite pools and spas  
(see installation instructions)

Three brass inserts

Manufactured from superior UV-resistant engineered polymers/ABS

All components meet or exceed ANSI/APSP 16-2011 and NSF/ANSI 50-2009a national standards and ASTM G154 UV testing exposure

Six combinations available for sunless connections to 1022s,  
1.5" female adapters, 1.5" and 2" inside and outside slip and threads;  
baseplates sold separately

25 per case

#### Code Key:

4 = for 4HPxxx

xxx = color

15 = 1½"

Soc. = socket, slip

SI = Slip Insider

6 = for 6HPHxxx

(i.e. 101 = white)

20 = 2"

Spg. = spigot, slip

T = Thread

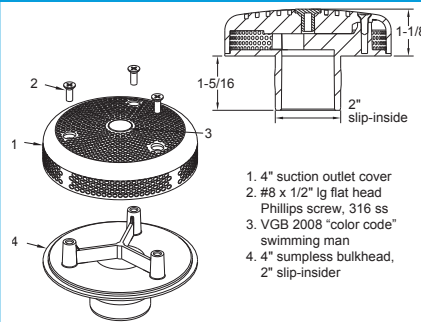
HP = "hockey puck" cover

25 = 2½"

#### 4" Bulkhead Adapter with 2" Slip-Insider Sunless Fitting (sold separately)



Part #  
420S1xxx

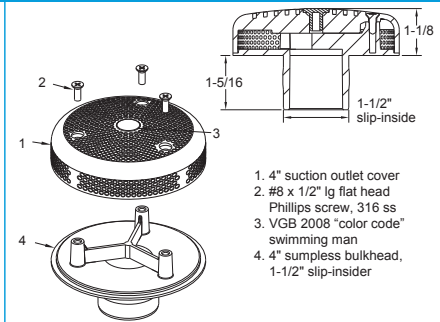


1. 4" suction outlet cover
2. #8 x 1/2" lg flat head Phillips screw, 316 ss
3. VGB 2008 "color code" swimming man
4. 4" sunless bulkhead, 2" slip-insider

#### 4" Bulkhead Adapter with 1½" Slip-Insider Sunless Fitting (sold separately)



Part #  
415S1xxx

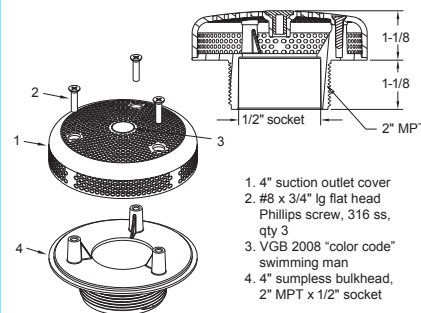


1. 4" suction outlet cover
2. #8 x 1/2" lg flat head Phillips screw, 316 ss
3. VGB 2008 "color code" swimming man
4. 4" sunless bulkhead, 1-1/2" slip-insider

#### 4" Bulkhead Adapter with 2" Threaded x 1½" Socket Sunless Fitting (sold separately)



Part #  
420T15Sxxx

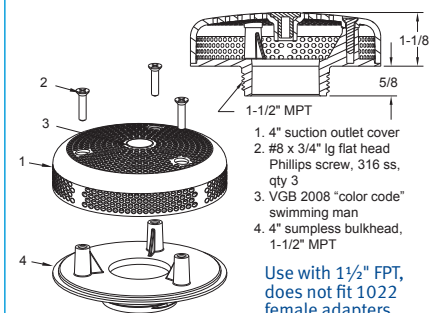


1. 4" suction outlet cover
2. #8 x 3/4" lg flat head Phillips screw, 316 ss, qty 3
3. VGB 2008 "color code" swimming man
4. 4" sunless bulkhead, 2" MPT x 1/2" socket

#### 4" Bulkhead Adapter with 1½" Threaded Sunless Fitting (sold separately)



Part #  
415Txxx

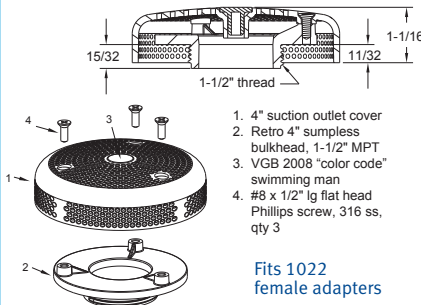


1. 4" suction outlet cover
  2. #8 x 3/4" lg flat head Phillips screw, 316 ss, qty 3
  3. VGB 2008 "color code" swimming man
  4. 4" sunless bulkhead, 1-1/2" MPT
- Use with 1/2" FPT,  
does not fit 1022 female adapters

#### Retrofit 4" Bulkhead Adapter with 1½" Threaded Sunless Fitting (sold separately)



Part #  
R415Txxx  
Also retrofits HydroAir  
#30-6906 and #30-6806

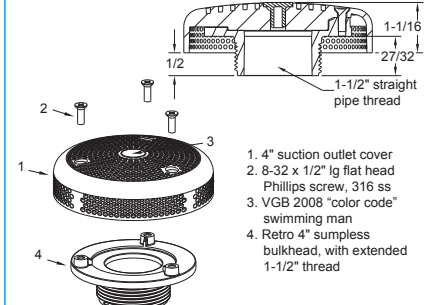


1. 4" suction outlet cover
  2. Retro 4" sunless bulkhead, 1-1/2" MPT
  3. VGB 2008 "color code" swimming man
  4. #8 x 1/2" lg flat head Phillips screw, 316 ss, qty 3
- Fits 1022 female adapters

#### Retrofit 4" Bulkhead Adapter with 1½" Extended Threaded Sunless Fitting (sold separately)



Part #  
RE415Txxx  
Also retrofits HydroAir  
#30-6906 and #30-6806



1. 4" suction outlet cover
2. 8-32 x 1/2" lg flat head Phillips screw, 316 ss
3. VGB 2008 "color code" swimming man
4. Retro 4" sunless bulkhead, with extended 1-1/2" thread