

8" Hockey Puck Sumpless Suction Outlet Cover and Mud Frame

VGB Series

Product Specification Sheet

Features

For single or multiple drain use in concrete or tile pools and spas (see installation instructions)

Single

Floor/wall: 224 GPM at 6.3 fps

Floor/wall: 74.3 GPM at 1.5 fps

No sump required

15.8 square inch opening

#316 stainless steel screws

Manufactured from superior UV-resistant engineered polymers

Easily and safely retrofits most brands' existing 8" frames and sumps that R8HPxxx does not fit* (see chart on pages 164-166 and installation instructions for details and special requirements)

Patent-pending Flow-Star® technology

Meets or exceeds NSF 50/ASME/ANSI A112.19.8a-2008 national standards and ASTM G154 UV testing

Listed with IAPMO R&T

Trademarked VGB compliance button easily identifies VGB 2008 compliant cover from on deck and underwater

32 per case

The AquaStar line of suction outlet covers, compliant with the new Virginia Graeme-Baker Pool and Spa Safety Act (ASME/ANSI A112.19.8a-2008)

NEW

Ideal for fiberglass and all sumpless configurations.



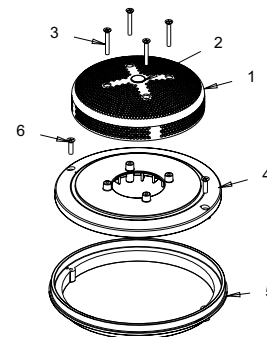
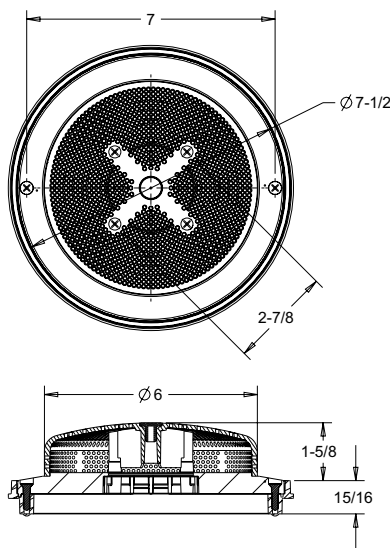
Part # 8HPxxx

*Fits: AquaStar (All Pre-VGB 8" Models), American, Pentair, Color Match, Waterway and most Custom Molded (CMP) – at least two mud frame screws must be used to secure cover

Part Numbers / Colors

- 8HP101 White
- 8HP102 Black
- 8HP103 Lt. Gray
- 8HP104 Blue
- 8HP105 Dk. Gray
- 8HP106 Bone
- 8HP107 Taupe
- 8HP108 Tan

VGB 2008 Compliant



1. 6" round suction outlet cover
2. VGB 2008 "color code" swimming man
3. #8-32 x 1.25" flat head phillips screw, 316 ss, qty 4
4. 8" round adapter plate
5. 8" round frame
6. #10 x 3/4" flat head phillips screw, 316 ss, qty 2