

8" Retrofit Hockey Puck Sumpless Suction Outlet Cover with Screw and Bushing Kit

VGB Series

The AquaStar line of suction outlet covers, compliant with the new Virginia Graeme-Baker Pool and Spa Safety Act (ASME/ANSI A112.19.8b-2009)

Features

For single or multiple drain use in existing frames and sumps (see installation instructions)

Single – Sumpless

Floor/wall: 224 GPM at 6.3 fps

Floor/wall: 74.3 GPM at 1.5 fps

15.8 square inch opening

Three sets of different stainless steel screws

Manufactured from superior UV-resistant engineered polymers

Easily and safely retrofits most brands' existing 8" frames and sumps that the 8HPxxx does not fit

Patent-pending technology

Meets or exceeds ANSI/APSP 16-2011 and NSF 50-2008 national standards and ASTM G154 UV testing

Listed with IAPMO R&T

Trademarked VGB compliance button easily identifies VGB 2008 compliant cover from on deck and underwater

32 per case

NEW

Ideal for fiberglass and all sumpless configurations.



Fits: Alloy Brass Foundry (ABF), Afras, Splash, Sta-Rite, Swimquip, Caretaker/Polaris, Advanced (APP), Hayward and certain Custom Molded (CMP), at least two mud frame screws must be used to secure cover

Part # R8HPxxx

STANDARD COLORS

101 105

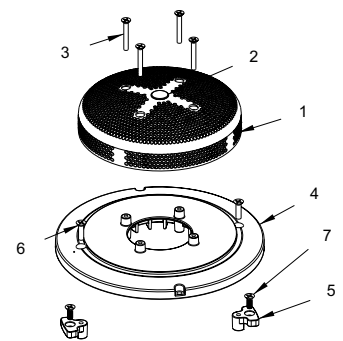
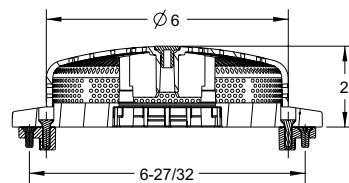
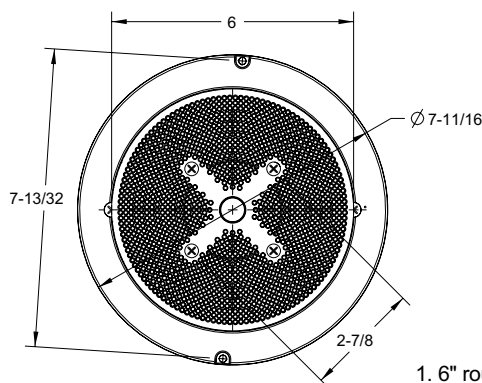
102 108

103

OPTIONAL COLORS

104 107

106



1. 6" round suction outlet cover
2. VGB 2008 "color code" swimming man
3. #8-32 x 1-1/4" flat head phillips screw, 316 ss, qty 4
4. 8" round retrofit adapter plate
5. 8" round universal ring adapters, qty 2
6. #10 x 3/4" flat head phillips screw, 316 ss, qty 2
7. #10-24 x 1/2" flat head phillips screw, 316 ss, qty 2

VGB 2008 Compliant