

8" Color Choice™ Suction Outlet Cover, Insert and Frame

VGB Series

Product Specification Sheet

Features

For single or multiple drain use
(see installation instructions)

Requires a minimum 3" sump depth

Single

Floor: 104 GPM at 3.4 fps

Wall: 76 GPM at 2.4 fps

Floor/wall: 48 GPM at 1.5 fps

10.6 square inch opening

Meets or exceeds NSF 50/ASME/ANSI
A112.19.8a-2008 national standards
and ASTM G154 UV testing

UV tested Everclear® material
1500 hours

Fill middle insert to match any
pool finish; provides secondary
anti-entrapment protection in
case lid is removed

Vented, clear lid protects finish

U.S. patents 6,209,586; 6,340,035;
6,557,588

#316 stainless steel screws

Manufactured from superior
UV-resistant engineered polymers

Listed with IAPMO R&T

40 per case

The AquaStar line of suction outlet covers, compliant with the new
Virginia Graeme-Baker Pool and Spa Safety Act (ASME/ANSI A112.19.8a-2008)

For Pebble or Tile!



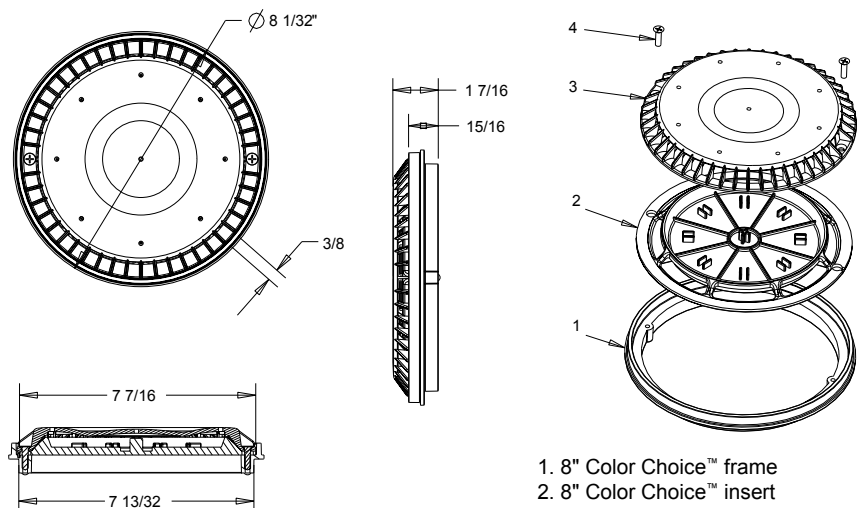
Part # 8CCxxx

*Fits: AquaStar (all Pre-VGB 8" Models), American, Pentair,
Color Match, Waterway and most Custom Molded (CMP), also func-
tions as a "double safety" outlet

Part Numbers / Colors

- 8CC100 Clear
- 8CC101 White
- 8CC102 Black
- 8CC103 Lt. Gray
- 8CC104 Blue
- 8CC105 Dk. Gray
- 8CC106 Bone
- 8CC107 Taupe
- 8CC108 Tan

VGB 2008 Compliant



1. 8" Color Choice™ frame
2. 8" Color Choice™ insert
3. 8" Color Choice™ cover
4. #10 flat head phillips screw, qty 2

ADDITIONAL PRODUCT CONFIGURATIONS FOR 8CCxxx

Features: Sump Buckets for 8CCxxx

For single or multiple drain use (see installation instructions)

Meets or exceeds NSF 50/ASME/ANSI A112.19.8a-2008 national standards and ASTM G154 UV testing

#316 stainless steel screws

Manufactured from superior UV-resistant engineered polymers

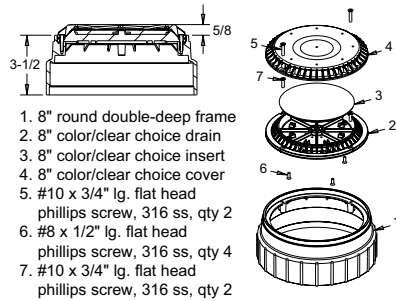
Not available with Clear 8CC100

Sold with Clear 8CCxxx, not sold separately

8" Color/Clear Choice Suction Outlet with 8" Round Double-Deep Sump



Part #
8CCDDxxx
4 per case

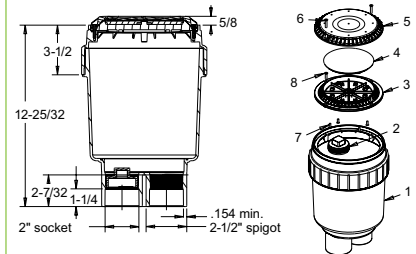


1. 8" round double-deep frame
2. 8" color/clear choice drain
3. 8" color/clear choice insert
4. 8" color/clear choice cover
5. #10 x 3/4" lg. flat head phillips screw, 316 ss, qty 2
6. #8 x 1/2" lg. flat head phillips screw, 316 ss, qty 4
7. #10 x 3/4" lg. flat head phillips screw, 316 ss, qty 2

8" Color/Clear Choice Suction Outlet with Dual-Port 2 1/2" Spigot x 2" Socket Deep PVC Sump



Part #
8CCDDSBxxx
4 per case

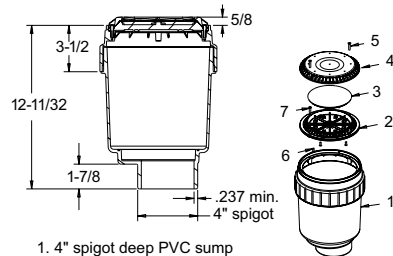


1. Dual-port 2-1/2" spigot x 2" socket deep PVC sump
2. 2" tapered pipe thread plug
3. 8" color/clear choice drain
4. 8" color/clear choice insert
5. 8" color/clear choice cover
6. #10 x 3/4" lg. flat head phillips screw, 316 ss, qty 2
7. #8 x 1/2" lg. flat head phillips screw, 316 ss, qty 4
8. #10 x 3/4" lg flat head phillips screw, 316 ss, qty 2

8" Color/Clear Choice Suction Outlet with 4" Spigot Deep PVC Sump



Part #
8CCDDB4SPxxx
4 per case

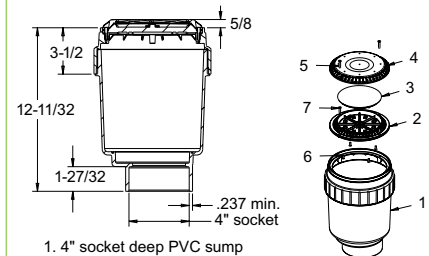


1. 4" spigot deep PVC sump
2. 8" color/clear choice drain
3. 8" color/clear choice insert
4. 8" color/clear choice cover
5. #10 x 3/4" lg. flat head phillips screw, 316 ss, qty 2
6. #8 x 1/2" lg. flat head phillips screw, 316 ss, qty 4
7. #10 x 3/4" lg flat head phillips screw, 316 ss, qty 2

8" Color/Clear Choice Suction Outlet with 4" Socket Deep PVC Sump



Part #
8CCDDB4SOCxxx
4 per case

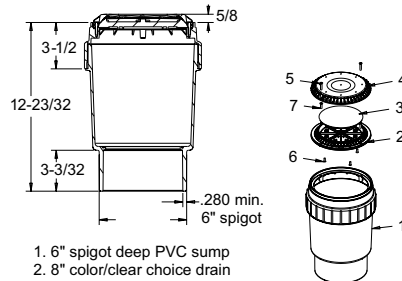


1. 4" socket deep PVC sump
2. 8" color/clear choice drain
3. 8" color/clear choice insert
4. 8" color/clear choice cover
5. #10 x 3/4" lg. flat head phillips screw, 316 ss, qty 2
6. #8 x 1/2" lg. flat head phillips screw, 316 ss, qty 4
7. #10 x 3/4" lg flat head phillips screw, 316 ss, qty 2

8" Color/Clear Choice Suction Outlet with 6" Spigot Deep PVC Sump



Part #
8CCDDB6SPxxx
4 per case

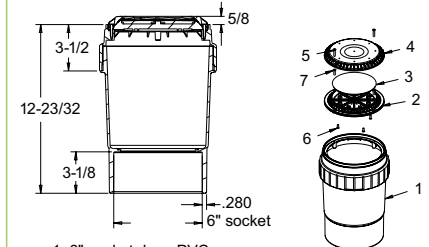


1. 6" spigot deep PVC sump
2. 8" color/clear choice drain
3. 8" color/clear choice insert
4. 8" color/clear choice cover
5. #10 x 3/4" lg. flat head phillips screw, 316 ss, qty 2
6. #8 x 1/2" lg. flat head phillips screw, 316 ss, qty 4
7. #10 x 3/4" lg flat head phillips screw, 316 ss, qty 2

8" Color/Clear Choice Suction Outlet with 6" Socket Deep PVC Sump



Part #
8CCDDB6SOCxxx
4 per case



1. 6" socket deep PVC sump
2. 8" color/clear choice drain
3. 8" color/clear choice insert
4. 8" color/clear choice cover
5. #10 x 3/4" lg. flat head phillips screw, 316 ss, qty 2
6. #8 x 1/2" lg. flat head phillips screw, 316 ss, qty 4
7. #10 x 3/4" lg flat head phillips screw, 316 ss, qty 2