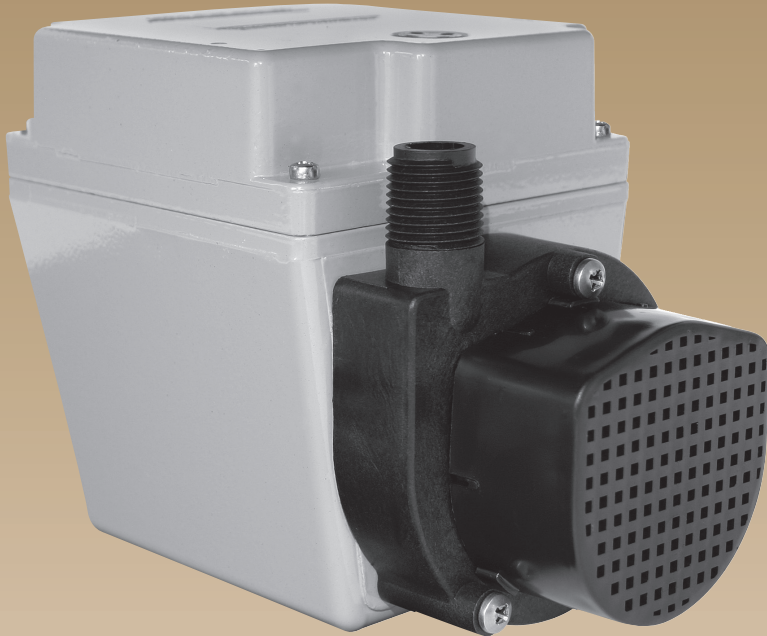


Industrial

3E-34 N Series



Features

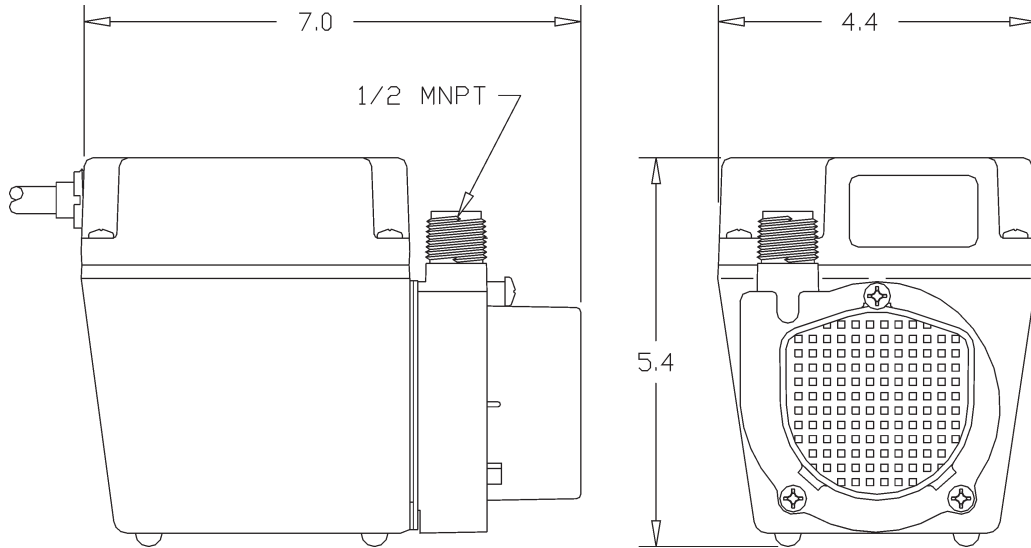
- For submersed or in-line use
- Epoxy coated die-cast aluminum housing
- Oil-filled motor
- 20.3' maximum lift
- 208 watts
- 1/2" MNPT discharge
- Thermal overload protection

Construction

- Motor — 1/15 HP oil-filled
- Intermittent Liquid Temp. up to — 120° F
- Intake — 3/4" FNPT
- Discharge — 1/2" MNPT
- Housing — Epoxy coated cast aluminum
- Cover — Epoxy coated cast aluminum
- Volute — Nylon
- Impeller — Nylon
- Shaft Seal — Viton®
- Screen — Polypropylene

Little**GIANT**

Dimensional Outline

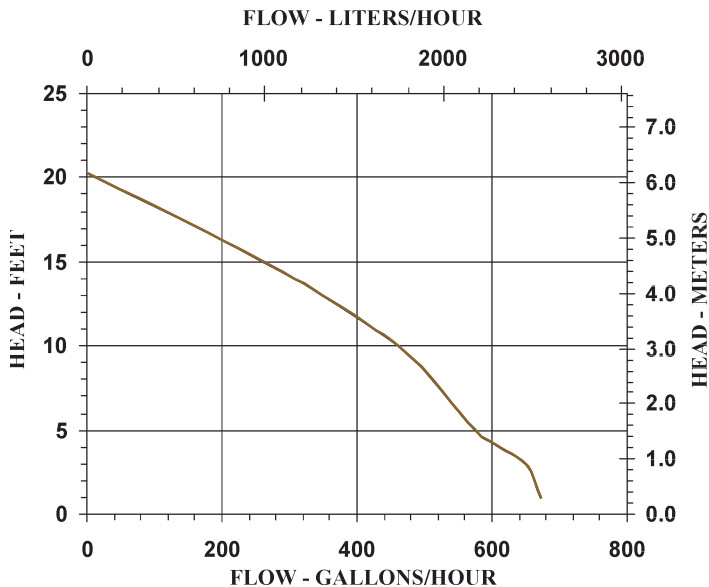


Engineering Data

Model No.	Item No.	Discharge	Intake	Listing(s)	HP	Volts	Hz.	Amps	Watts	Performance (GPH@Head)				Shutoff		Cord Length (ft.)	Weight (lbs.)
										1'	3'	5'	10'	Ft.	P.S.I.		
3E-34N	503603	1/2" MNPT	3/4" MNPT	UL/C-CSA	1/15	115	60	3.2	200	670	650	575	460	20.3	8.8	10	4.83

Volute	103337
Impeller	103436
Screen	102376
Gasket	103601

Performance Data



Franklin Electric

P.O. Box 12010
 Oklahoma City, OK 73157-2010
 Phone: 1.800.701.7894
 Fax: 1.800.678.7867
 www.LittleGiantPump.com