

VGB Series

Product Specification Sheet

The AquaStar line of suction outlet covers, compliant with the new Virginia Graeme-Baker Pool and Spa Safety Act (ASME/ANSI A112.19.8a-2008)

Features

Fits into existing Hayward sump buckets to adapt to all AquaStar 8" suction outlet covers

Meets ASME/ANSI A112.19.8a-2008 standards when used with AquaStar approved 8" suction outlets

Clear Choice® fittings become almost invisible, absorb surrounding color of new finish

Manufactured from superior UV-resistant engineered polymers

NSF 50

50 per case

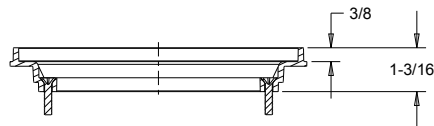
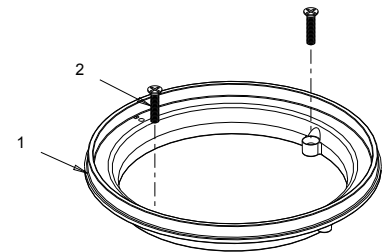
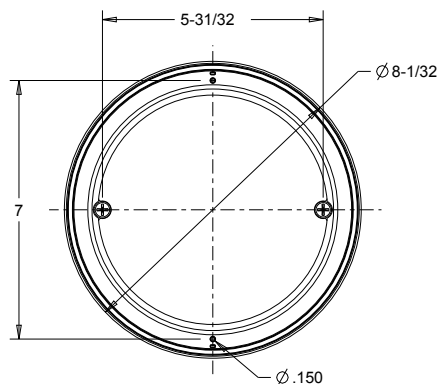


Part # HCxxx

Part Numbers / Colors

- HC100 Clear Choice®
- HC101 White
- HC102 Black
- HC103 Lt. Gray
- HC104 Blue
- HC105 Dk. Gray
- HC106 Bone
- HC107 Taupe
- HC108 Tan

VGB 2008 Compliant



1. Adapter collar to fit Hayward sump
2. #10 flat head phillips screw