

12" Square Retrofit to 10" Anti-Entrapment Suction Outlet Cover

VGB Series

Product Specification Sheet

The AquaStar line of suction outlet covers, compliant with the new Virginia Graeme-Baker Pool and Spa Safety Act (ASME/ANSI A112.19.8a-2008)

Features

For single or multiple drain use
(see installation instructions)

Requires a minimum 3" sump depth

Single

Floor: 206 GPM at 5.8 fps

Wall: 96 GPM at 2.8 fps

Floor/wall: 53 GPM at 1.5 fps

11.2 square inch opening

#316 stainless steel screws

Manufactured from superior
UV-resistant engineered polymers

Easily and safely retrofits most brands'
existing 12" frames* (see chart on pages
164-166 and installation instructions for
details and special requirements)

All components (cover, adapter
plate, frame, screws) meet or exceed
NSF 50/ASME/ANSI A112.19.8a-2008
national standards and ASTM G154 UV
testing exposure

Listed with IAPMO R&T

12 per case



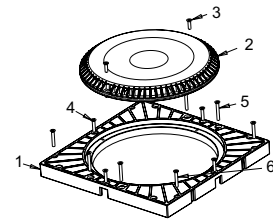
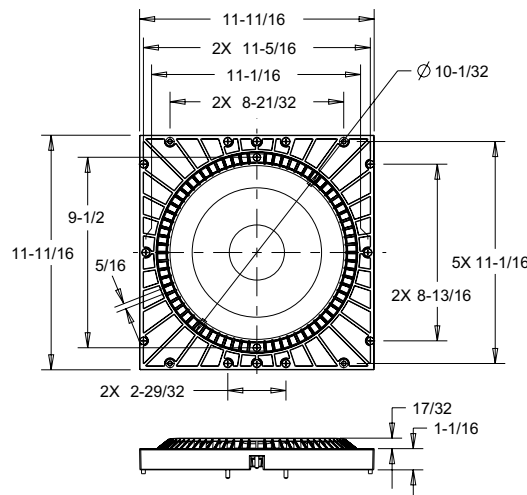
Part # RFS12xxx

*Fits: Hayward, Waterway, American (Pentair #2), PacFab

Part Numbers / Colors

- RFS12101 White
- RFS12102 Black
- RFS12103 Lt. Gray
- RFS12104 Blue
- RFS12105 Dk. Gray
- RFS12106 Bone
- RFS12107 Taupe
- RFS12108 Tan

Frame sold separately
p/n RFSFR12xxx 12 per case
VGB 2008 Compliant



1. 12" square retrofit to 10" round suction outlet cover
2. 10" round anti-entrapment cover
3. #10 x 3/4" flat head phillips screw, 316 ss
4. #10 x 1" flat head phillips screw, 316 ss
5. #10 x 1-1/2" flat head phillips screw, 316 ss
6. 10-24 x 1-1/4" flat head phillips screw, 316 ss