

32" CHANNEL DRAIN FLAT GRATE ANTI-ENTRAPMENT SUCTION OUTLET COVER AND FRAME

VGB Series

The AquaStar line of suction outlet covers, compliant with the Virginia Graeme-Baker Pool and Spa Safety Act (ANSI/APSP 16-2011 and NSF/ANSI 50-2009a)

FEATURES

Requires a minimum 3" sump depth the entire length of cover

For single or multiple drain use (see installation instructions for plumbing, hydrostatic valve/drain pipe and single or multi-pump connections)

Single – 3" sump depth
Floor: 316 GPM at 3.9 fps
Wall: 208 GPM at 2.6 fps

Floor/wall: 122 GPM at 1.5 fps
Floor/wall: 80.7 GPM at 1.0 fps

25.9 square inch opening

Manufactured from superior UV-resistant engineered polymers

All components meet or exceed ANSI/APSP 16-2011 and NSF/ANSI 50-2009a national standards and ASTM G154 UV testing exposure

Includes disposable "dog bone" supports to retain shape during all phases of construction

Replace every five years from the date of installation

12 per case

Unblockable!



For field-fabricated sump (concrete pools)
Part # 32CDFLFRxxx

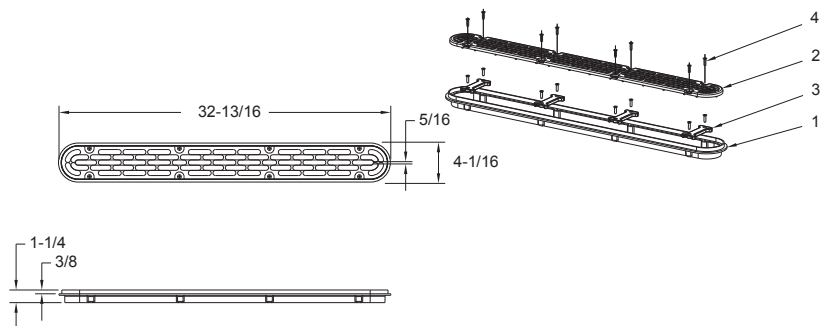
Two drains in one!

STANDARD COLORS

- 32CDFLFR101 – White
- 32CDFLFR102 – Black
- 32CDFLFR103 – Light Gray
- 32CDFLFR104 – Blue
- 32CDFLFR105 – Dark Gray
- 32CDFLFR108 – Tan

Also available cover only without sump/frame
p/n 32CDFLNFxxx
40 per case

VGB 2008 Compliant



1. 32" channel drain, no sump, frame
2. 32" channel drain, cover, flat
3. 32" channel drain, frame support "dog bones", qty 4
4. #10 x 3/4" flat head Phillips Type A screw, 316 ss, qty 16