

REV	ECO	REV BY	DATE	APPD	DATE
B	0024732	B.ZHAO	03-07-2012	B.SHEN	03-07-2012

D

C

B

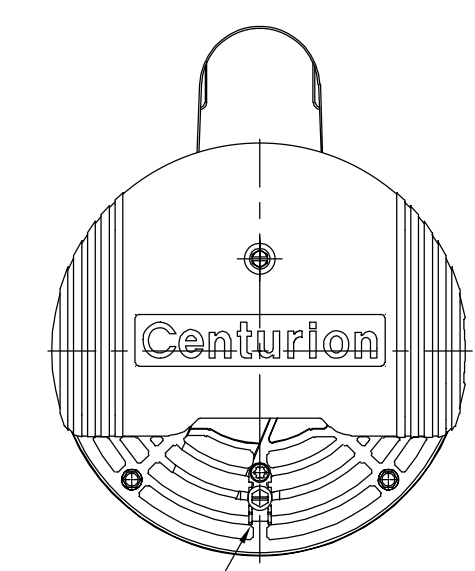
A

D

C

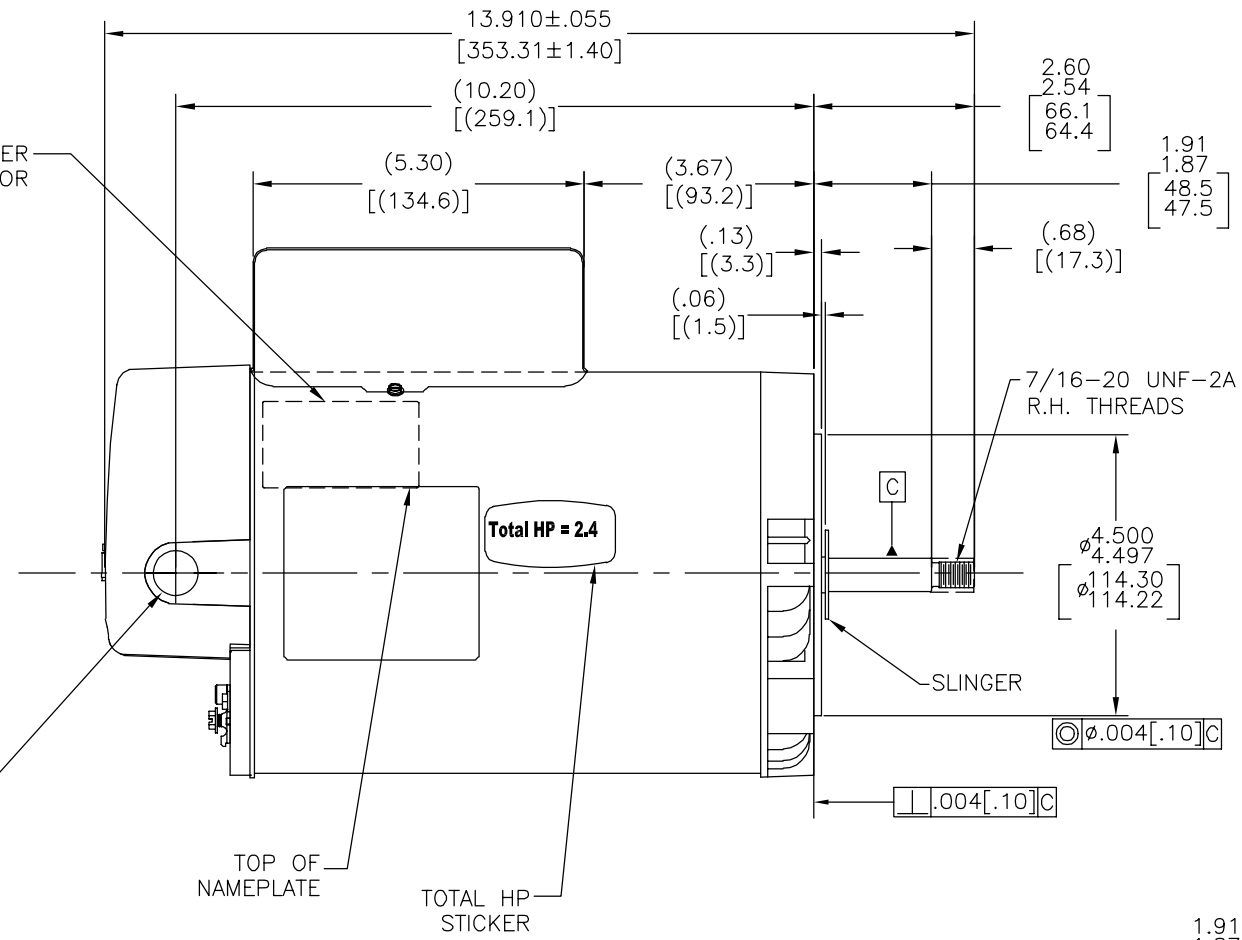
B

A



BONDING LUG  
1/2-14 N.P.S.M. WITH CAP

TOP OF NON-SVRS STICKER ON BACK SIDE OF MOTOR



7/16-20 UNF-2A R.H. THREADS

SLINGER

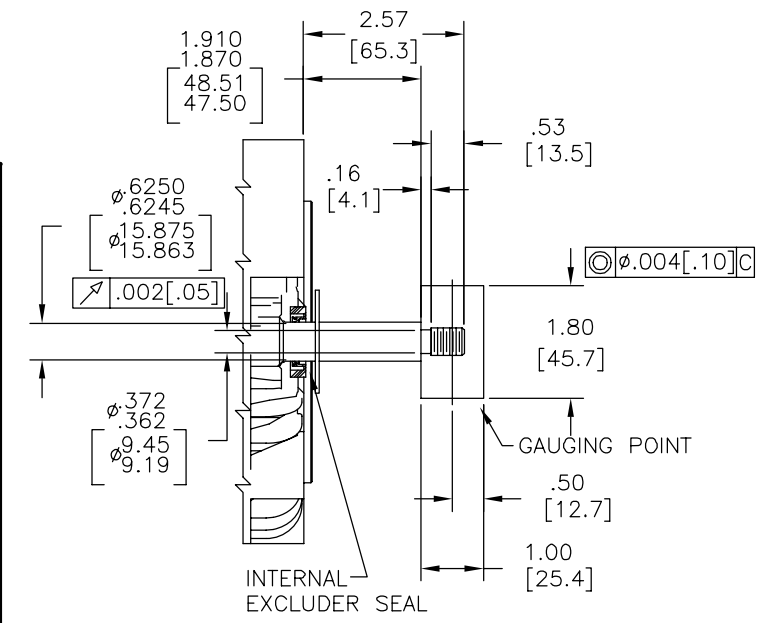
Ø5.875 [Ø149.22]

Ø4.500 [114.30]  
Ø4.497 [114.22]

⊙ .004 [.10] C

⊥ .004 [.10] C

4X 3/8-16 UNC-2B .75 [19.1] DEEP



Ø.6250 [15.875]  
Ø.6245 [15.863]

⊙ .002 [.05]

Ø.372 [9.45]  
Ø.362 [9.19]

1.910 [48.51]  
1.870 [47.50]

1.80 [45.7]

1.00 [25.4]

GAUGING POINT

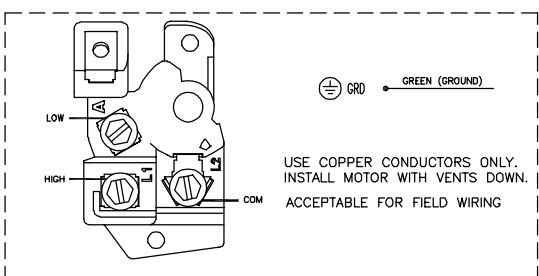
INTERNAL EXCLUDER SEAL

NAMEPLATE DATA

EXTERNAL CONNECTION DIAGRAM

NOTES

MODEL: F56AA72A01  
CUST PN: B2979  
HP: 2.0/.25 SF: 1.20  
ROT: CW  
RPM: 3450/1725  
TYPE: CXPM CODE: G  
FORM: KJM FRAME: Y56J  
VOLTS: 230  
AMPS:  
MAX AMPS:  
SF AMPS: 11.0/1.6  
PH: 1 HZ: 60  
INS: F AMB: 50°C  
DUTY: CONT  
ENCLOSURE: ODP  
THERMALLY PROTECTED



USE COPPER CONDUCTORS ONLY. INSTALL MOTOR WITH VENTS DOWN. ACCEPTABLE FOR FIELD WIRING

- FOR THREADED SHAFT EXT. ECCENTRICITY OF THREADED PORTION OF SHAFT IS HELD WITHIN .004 [.10] TOTAL GAGE READING WITH THE INDICATOR ON O.D. OF GROUND RING GAGE AS SHOWN. THE GAGE BEING STATIONARY WITH RESPECT TO THE ROTOR.
- END PLAY NOT TO EXCEED .010 [.25] MEASURED WITH NO THRUST.
- ALL DIMENSIONS SHOWN IN PARENTHESIS ARE REFERENCE DIMENSIONS.

PERFORMANCE CURVE	APPROVED SAMPLE		
0116754	CSR-0001595		
UL COMPONENT	CSA		
PENDING	PENDING		
FILE#	CCN#	FILE#	GUIDE#
PENDING	PENDING	PENDING	PENDING
CUSTOMER	DISTRIBUTION		

GEOMETRIC CHARACTERISTICS & SYMBOLS  
 □ FLATNESS  
 - STRAIGHTNESS  
 < ANGULARITY  
 ⊥ PERPENDICULARITY (SQUARENESS)  
 // PARALLELISM  
 ○ ROUNDNESS (CIRCULARITY)  
 ⊙ CYLINDRICITY  
 ~ PROFILE OF ANY SURFACE  
 ~ PROFILE OF ANY LINE  
 ↑ RUNOUT  
 ⊕ TRUE POSITION  
 ⊙ CONCENTRICITY  
 = SYMMETRY  
 ASME Y14.5M 1994

UNLESS OTHERWISE SPECIFIED DIM. TOLERANCES ARE AS FOLLOWS:  
 X XX XXX XXXX  
 INCH ±.1 ±.02 ±.005 ±.0005  
 mm ±0.5 ±0.13 ±0.013  
 ANG. ±50 DEG  
 REMOVE BURRS & BREAK SHARP EDGES:  
 INCH .003-.015 mm 0.1-0.4  
 CORNER FILLETS TO:  
 INCH .020 mm 0.5  
 MACHINE SURFACES:  
 INCH 125 mm 3.2  
 METRIC DIMS. SHOWN IN [BRACKETS]

DR BY: AS 06-01-2011  
 APPD: SH 06-01-2011  
 THIRD ANGLE PROJECTION  
 EDS DATE 11-11-2011  
 FORMAT REV G  
 CONFIDENTIAL: THIS DRAWING AND ITS INFORMATION ARE THE EXCLUSIVE AND CONFIDENTIAL PROPERTY OF REGAL-BELOIT CORPORATION AND ARE NOT TO BE DISCLOSED, DUPLICATED, DISTRIBUTED OR OTHERWISE USED WITHOUT THE WRITTEN CONSENT OF REGAL-BELOIT CORPORATION. -ALL RIGHTS RESERVED.

REGAL-BELOIT CORPORATION  
 DESCRIPTION: OUTLINE  
 SIZE: C DWG NO: B2979  
 SCALE: NONE SHEET: 1

4

3

2

1

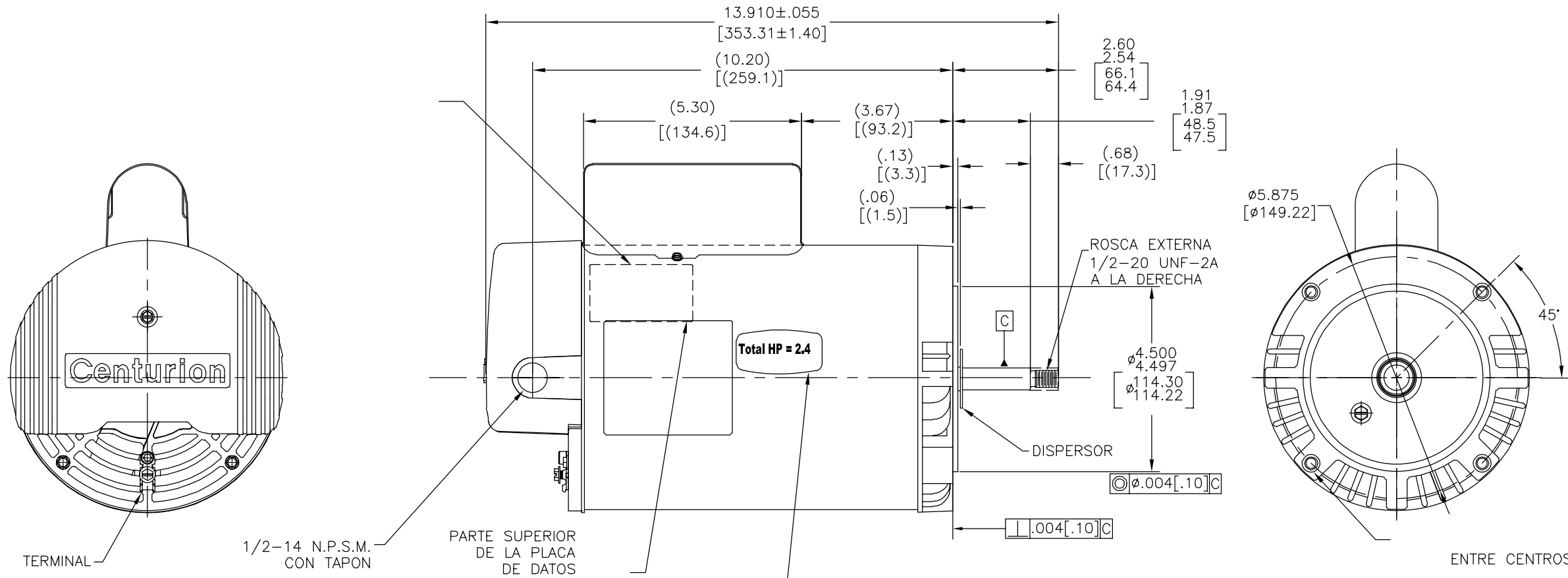
4

3

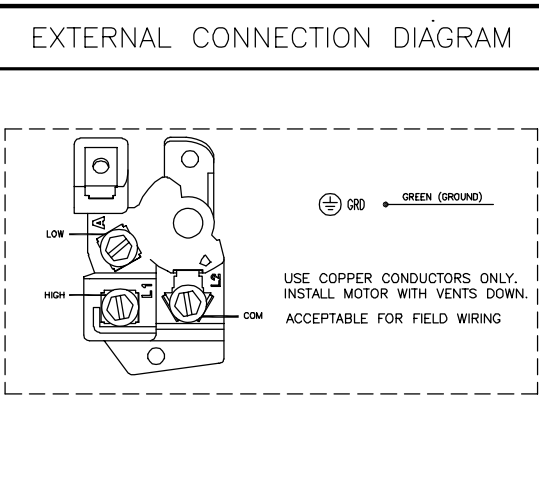
2

1

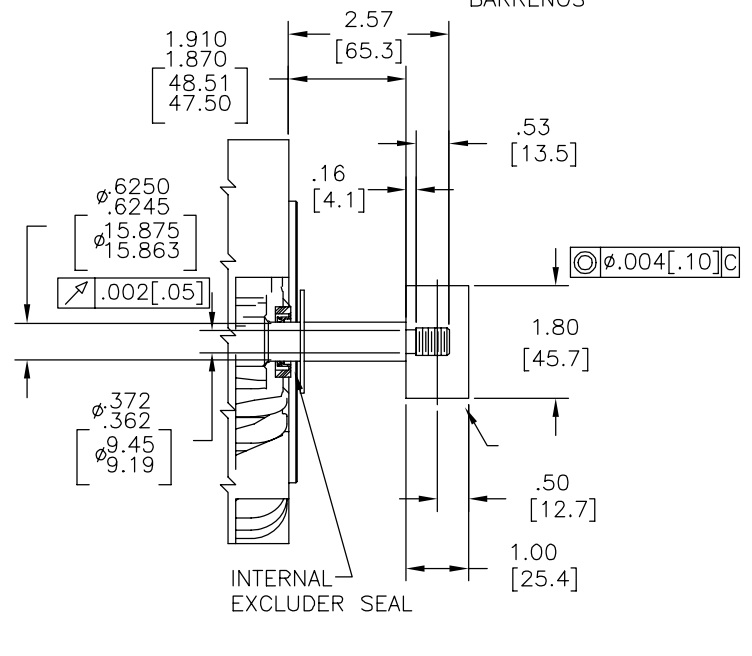
REVISION:	ECO	REVISADO POR:	B.ZHAO	FECHA:	03-07-2012	APROBADO POR:	B.SHEN	FECHA:	03-07-2012
B	0024732								



NAMEPLATE DATA	
MODEL: F56AA72A01	CUST PN: B2979
HP: 2.0/.25	SF: 1.20
ROT: CW	
RPM: 3450/1725	
TYPE: CXPM	CODE: G
FORM: KJM	FRAME: Y56J
VOLTS: 230	
AMPS:	
MAX AMPS:	
SF AMPS: 11.0/1.6	
PH: 1	HZ: 60
INS: F	AMB: 50°C
DUTY: CONT	
ENCLOSURE: ODP	
THERMALLY PROTECTED	



- NOTES
1. PARA EXT. DE FLECHA ROSCADA LA EXCENTRICIDAD DE LA ROSCA DE LA FLECHA ES SOSTENIDA DENTRO .004[.10] LECTURA TOTAL DEL ESCANTILLON CON EL INDICADOR SOBRE EL DIAM. EXTERNO DEL ANILLO DE TIERRA COMO SE MUESTRA. EL ESCANTILLON SERA ESTACIONARIO CON RESPECTO AL ROTOR.
  2. JUEGO AXIAL NO EXCEDERA .010[.25] MEDIDA SIN EMPUJE.
  3. TODAS LAS DIMENSIONES MOSTRADAS EN PARENTESIS SON DIMENSIONES DE REFERENCIA



PERFORMANCE CURVE	APPROVED SAMPLE		
0116754	CSR-0001595		
UL COMPONENT	CSA		
PENDING	PENDING		
FILE#	CCN#	FILE#	GUIDE#
PENDING	PENDING	PENDING	PENDING
CUSTOMER	DISTRIBUTION		

CARACTERISTICAS DE GEOMETRIA Y SIMBOLOS

- PLANICIDAD
- RECTITUD
- < ANGULARIDAD
- ⊥ PERPENDICULARIDAD (A ESCUADRA)
- // PARALELISMO
- REDONDEZ (CIRCULARIDAD)
- ⊘ CILINDRICIDAD
- ⌒ PERFIL DE CUALQUIER SUPERFICIE
- ⌒ PERFIL DE CUALQUIER LINEA
- ↑ VARIACION
- ⊕ POSICION REAL
- ⊙ CONCENTRICIDAD
- = SIMETRIA

ASME Y14.5M 1994

A MENOS QUE SE ESPECIFIQUE DE OTRA MANERA, LAS TOLERANCIAS DE LAS DIMS. SON LAS SIGUIENTES:

PULG ±.1 ±.02 ±.005 ±.0005  
 mm ±0.5 ±0.13 ±0.013

ANG. ±.50 GRADOS

ELIMINAR REBABAS Y ORILLAS FILOSAS DEL BORDE.

PULG .003-.015 mm 0.1-0.4

FILETEAR ESQUINA: PULG .020 mm 0.5

MAQUINAR SUPERFICIES

PULG 125 mm 3.2

DIMS METRICAS MOSTRADAS [PARENTESIS]

DIBUJADO POR: AS 06-01-2011

APROBADO POR: SH 06-01-2011

FECHA EDS: 11-11-2011

REV. FORMATO: G

CONFIDENCIAL: ESTE DIBUJO Y SU INFORMACION SON PROPIEDAD DE USO EXCLUSIVO Y CONFIDENCIAL DE REGAL-BELOIT CORPORATION. Y NO DEBERAN SER REVELADOS, DUPLICADOS, DISTRIBUIDOS O USARSE DE OTRA MANERA SIN EL CONSENTIMIENTO ESCRITO DE REGAL-BELOIT CORPORATION. -TODOS LOS DERECHOS RESERVADOS.

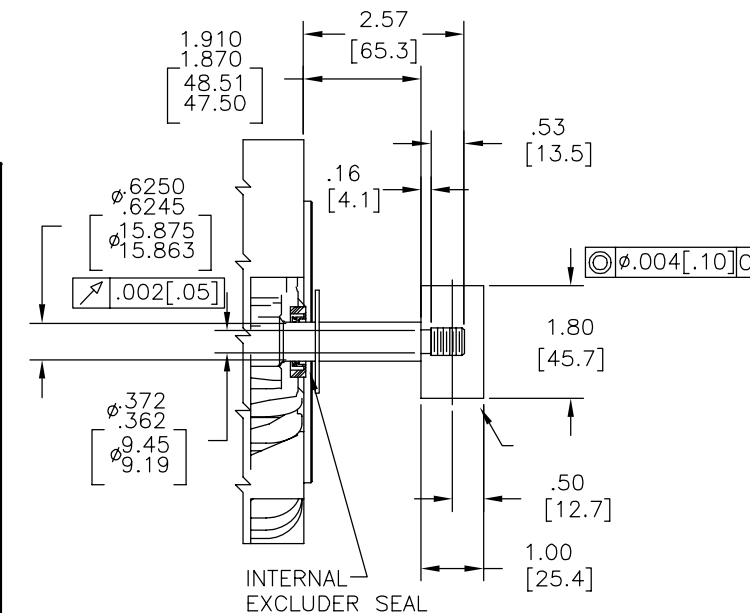
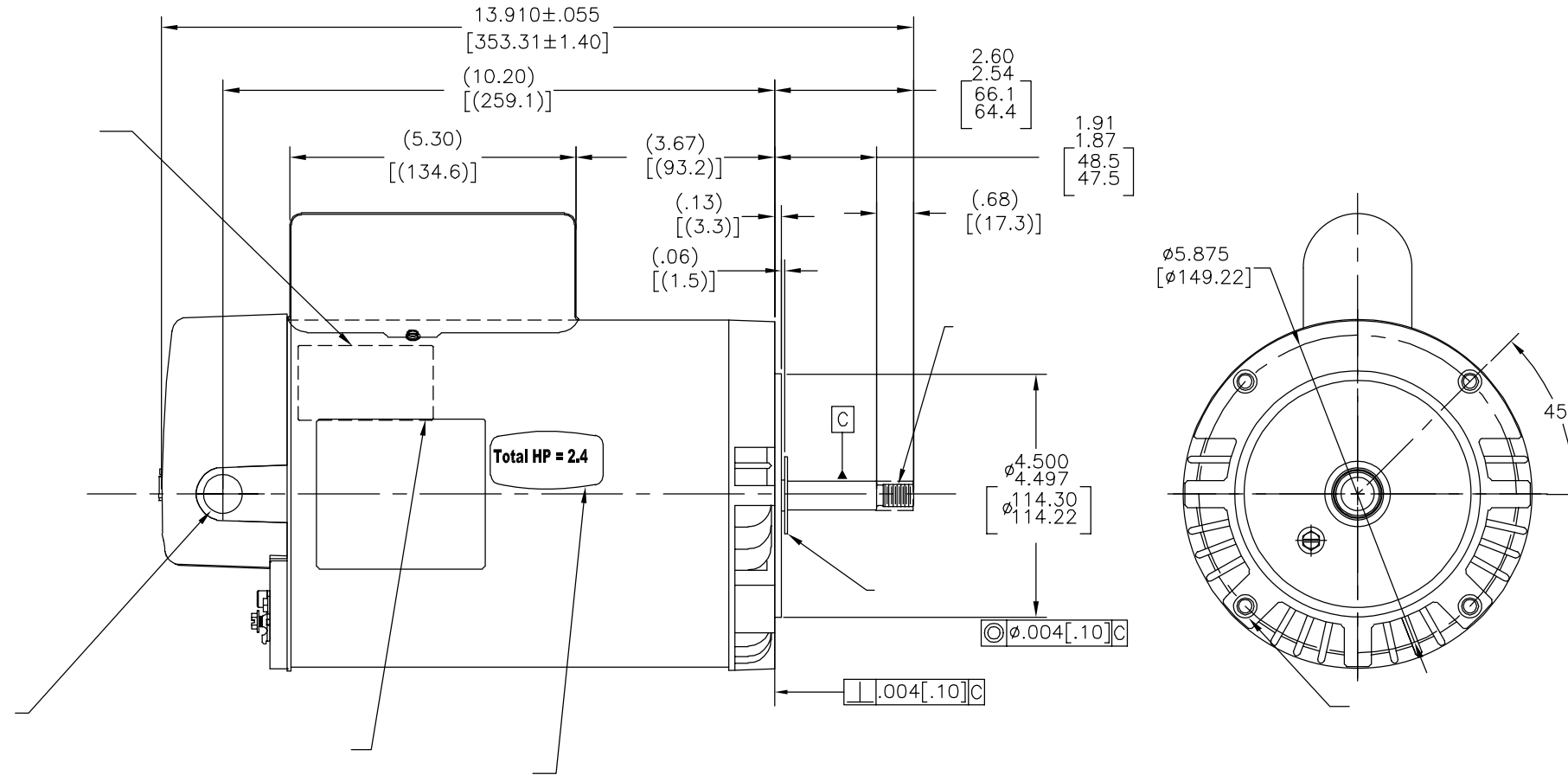
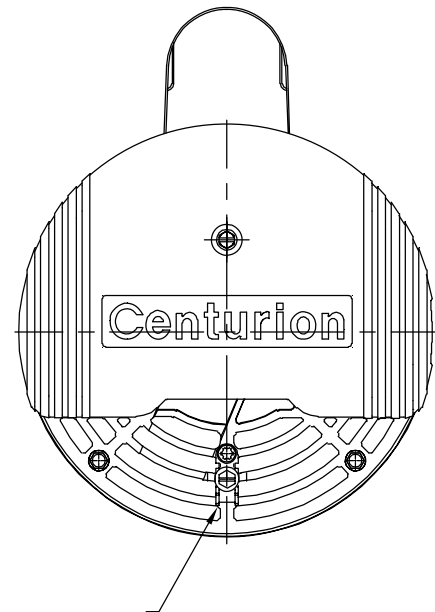
REGAL-BELOIT CORPORATION

DESCRIPCION: OUTLINE

TAMAÑO: C NUMERO DE DIBUJO: B2979

ESCALA: NONE HOJA: 1

版本	ECO	编制	日期	批准	日期
B	0024732	B.ZHAO	03-07-2012	B.SHEN	03-07-2012



NAMEPLATE DATA	EXTERNAL CONNECTION DIAGRAM	NOTES
MODEL: F56AA72A01 CUST PN: B2979 HP: 2.0/.25 SF: 1.20 ROT: CW RPM: 3450/1725 TYPE: CXPM CODE: G FORM: KJM FRAME: Y56J VOLTS: 230 AMPS: MAX AMPS: SF AMPS: 11.0/1.6 PH: 1 HZ: 60 INS: F AMB: 50°C DUTY: CONT ENCLOSURE: ODP THERMALLY PROTECTED		Total HP = 2.4

PERFORMANCE CURVE	APPROVED SAMPLE		
0116754	CSR-0001595		
UL COMPONENT	CSA		
FILE#	CCN#	FILE#	GUIDE#
PENDING	PENDING	PENDING	PENDING
CUSTOMER	DISTRIBUTION		

形位公差 □ 平面度 — 直线度 < 倾斜度 ⊥ 垂直度 // 平行度 ○ 圆度 ⊙ 圆柱度 面轮廓度 线轮廓度 圆跳动 位置度 同轴度 对称度
---

除另有注明 尺寸公差如下: 英寸 X XX XXX XXXX ±.1 ±.02 ±.005 ±.0005 毫米 ±0.5 ±0.13 ±0.013 角度 ±.50 度 清理毛刺和尖棱 英寸 .003-.015 毫米 0.1-0.4 内圆角 英寸 .020 毫米 0.5 表面粗糙度 英制 125 米制 3.2 米制尺寸显示在 [ ]
--

绘图: AS 批准: SH 第三角投影 图纸格式发布日期 11-11-2011 图纸格式版本 G 机密: 本图及相关信息所有权归REGAL-BELOIT CORPORATION。 未经REGAL-BELOIT CORPORATION书面授权, 不得泄露、 复制、传播或作其他用途。—版权所有
--

06-01-2011 06-01-2011 11-11-2011 G 名称 OUTLINE 外形图 图幅 C 图号 B2979 比例 NONE 页号 1
--



ASME Y14.5M 1994