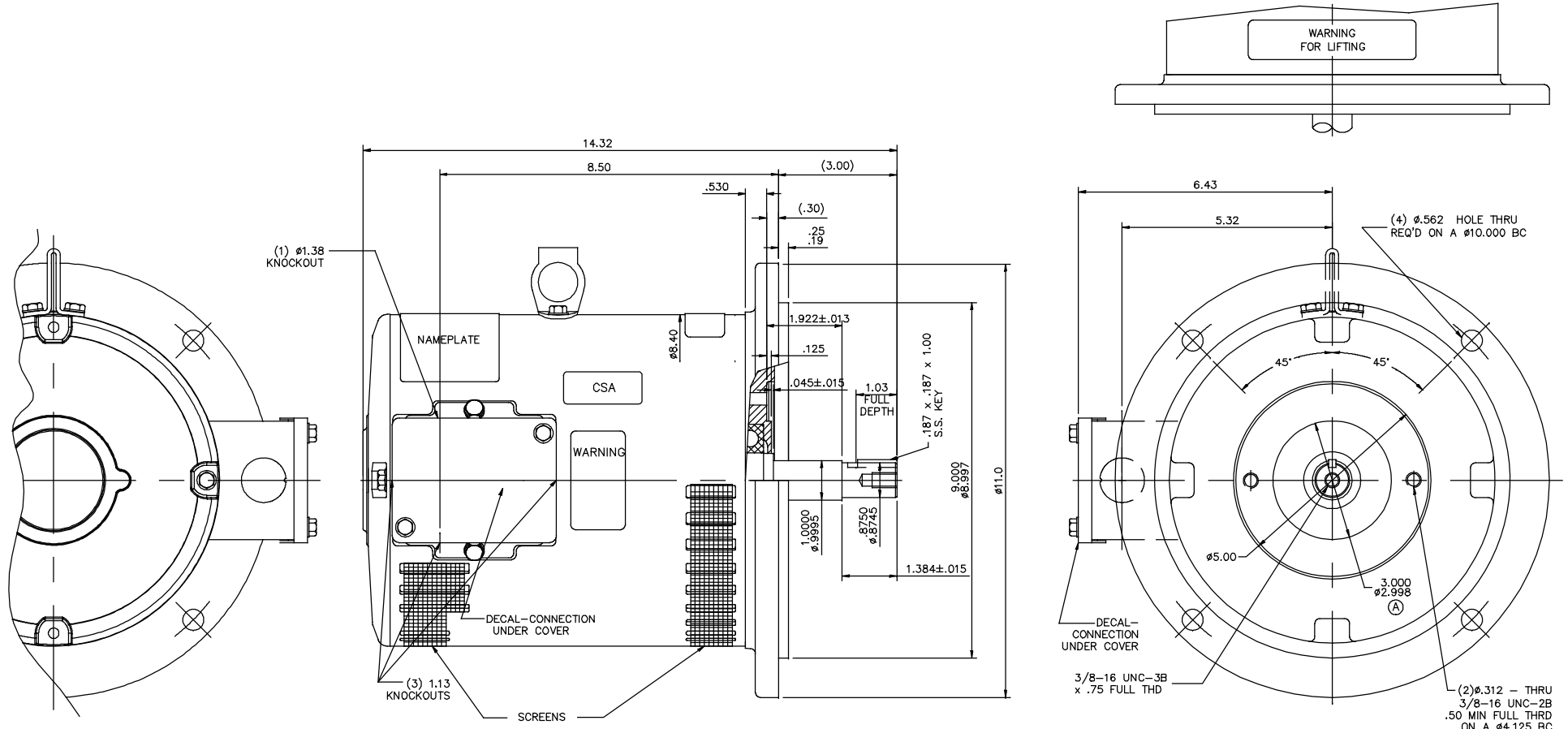


OLR237M2A



GASKETS THROUGHOUT  
 MAXIMUM FACE RUNOUT TO BE .004 T.I.R.  
 MAXIMUM PILOT ECCENTRICITY TO BE .004 T.I.R.  
 PERMISSIBLE SHAFT RUNOUT TO BE .002 T.I.R.

CTQ'S	
P	PROCESS
E	ENGINEERING
A	APPLICATION
R	REGULATORY

				TOLERANCES UNLESS SPECIFIED		REGAL™ Regal Beloit America, Inc.		DRAWN MVG 07/31/2017	
				DEC.	INCHES			CHK MSD 07/31/2017	
				.X	±.1			APPD MSD 07/31/2017	
				.XX	±.03	TITLE		SCALE 1=2	
				.XXX	±.005	DRIP PROOF - "D" FLANGE-PUMP SERIES C		REF 03589BCY	
A	NEW DRAWING	MVG 07/31/17	MSD	.XXXX	±.0005	MAT'L		FMF	
NO.	REVISION	BY & DATE	CHK	ANG	±1/2'	FINISH		PREV	
THIS DRAWING IN DESIGN AND DETAIL IS OUR PROPERTY AND MUST NOT BE USED EXCEPT IN CONNECTION WITH OUR WORK ALL RIGHTS OF DESIGN AND INVENTION ARE RESERVED THIS IS AN ELECTRONICALLY GENERATED DOCUMENT - DO NOT SCALE THIS PRINT				RFP		CAD FILE	OLR237M2A	SIZE	DRAWING NO.
				DIST	NLV			B	OLR237M2A
									A