

10" Anti-Entrapment Suction Outlet Cover with Universal 8" Conversion Frame Kit

VGB Series

Product Specification Sheet

The AquaStar line of suction outlet covers, compliant with the new Virginia Graeme-Baker Pool and Spa Safety Act (ASME/ANSI A112.19.8a-2008)

Features

For single or multiple drain use (see installation instructions)

Easily converts all existing 8" sumps or frames to a 10" anti-entrapment cover with higher flow rates*

Requires a minimum 3" sump depth

Four extra ways to secure 10" VGB 2008 (206 GPM!) suction outlet

Adjustable screw hole pattern from 6" to 8" – outside holes to 10"

Can be used with Brass Anchor Kit p/n BIK4 for odd-sized or non-structured frames/sumps

Single

Floor: 206 GPM at 5.8 fps
Wall: 96 GPM at 2.8 fps

Floor/wall: 53 GPM at 1.5 fps

11.2 square inch opening

#316 stainless steel screws

Manufactured from superior UV-resistant engineered polymers

Meets or exceeds NSF 50/ASME/ANSI A112.19.8a-2008 national standards and ASTM G154 UV testing

25 per case



Additional vinyl/fiberglass adapter ring now available



Model # 10AVRCFRxxx

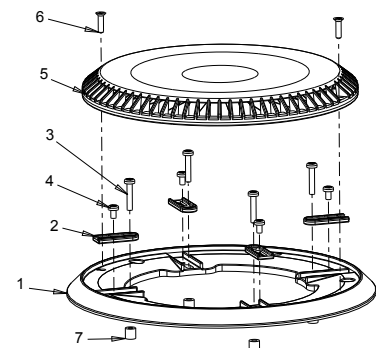
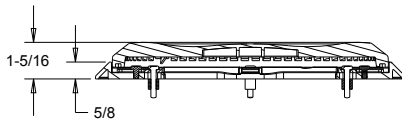
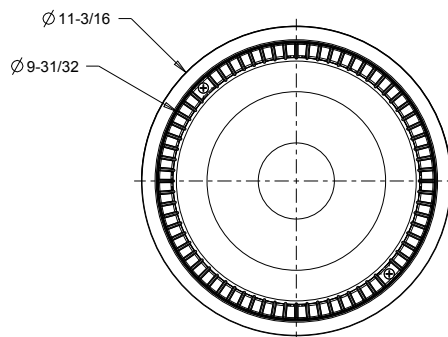
*Adapts safely and securely to all brands: AquaStar, Swimquip, Sta-Rite, Caretaker/Polaris, PacFab, Advanced (APP), Alloy Brass (ABF), Afras, Splash, Custom Molded (CMP), Hayward, American, Pentair, Paramount (SDX), Color Match, Waterway and Anthony/Sylvan

Part Numbers / Colors

- 10AVRCFR101 White
- 10AVRCFR102 Black
- 10AVRCFR103 Lt. Gray
- 10AVRCFR104 Blue
- 10AVRCFR105 Dk. Gray
- 10AVRCFR106 Bone
- 10AVRCFR107 Taupe
- 10AVRCFR108 Tan

Also available for vinyl/fiberglass p/n 10AVRCFRVxxx
25 per case

VGB 2008 Compliant



1. 10" universal adapter frame
2. 10" universal adapter slide
3. Adapter screw to fit mounting frame
4. #10 pan head phillips screw
5. 10" anti-entrapment cover
6. #10 flat head phillips screw
7. 10" universal adapter spacer