

# FLOW STAR® STANDARD SKIMMER WITH FLUSH FACE, FLOAT ASSEMBLY, BASKET, LID AND ADJUSTABLE COLLAR



Built in conformance with NSF 50 and SPS 3 standards



## FEATURES

- Adjustable collar
- New weir clip lock secures the clips in the weir door
- Large self-contained basket with lock-in feature (will not float)
- Underwater dampers on the faceplate for noise reduction on weir plate – especially on windy days
- Super strong engineered polymer upper housing
- Extra heavy duty PVC lower unit (no transitional glue required)
- 2½" outside slip and 2" inside slip (outside skimmer)
- 2" threads for pressure testing (inside skimmer)
- Built-in overflow or fill line knock out
- Upper housing has pre-cut rebar cutouts with pre-drilled holes for tie wire
- Skimmer Lid and Collar G154 UV tested
- NSF 50 approved for commercial use, 25 GPM min, 55 GPM max – approved for residential use up to 100 GPM
- See page 212 for code compliance and sizing
- Optional custom name/logo engraved on the lid (requires minimum 500 piece lid order)
- 1 per case

Three lid options available (sold separately): round, square or snap-in round/square



Optional vacuum plate with snap-in lug can be glued in under lid for easy storage p/n SK43101



Optional BFB adapter converts skimmer fittings to 4" or 3" tee for improved hydraulics and code compliance p/n BFB101

Part # SKR2xx

For vinyl and fiberglass options, see pages 138-143

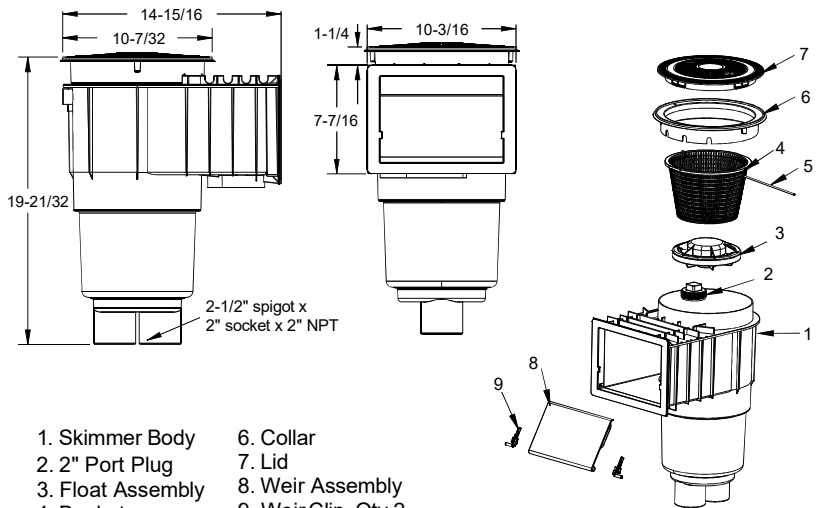
## STANDARD COLORS

- SKR201 – White
- SKR202 – Black
- SKR203 – Light Gray
- SKR204 – Blue
- SKR205 – Dark Gray
- SKR208 – Tan

Snap-in Round/Square Lid and Collar (sold separately) p/n SK65xxx

Square Lid and Collar (sold separately) p/n SK64xxx

Available without lid and collar SKR2NL101 (white only)



1. Skimmer Body
2. 2" Port Plug
3. Float Assembly
4. Basket
5. Basket Rod
6. Collar
7. Lid
8. Weir Assembly
9. Weir Clip, Qty 2

# ADDITIONAL PRODUCT CONFIGURATIONS FOR SKR2xx

### 9" Ultra Basket

Available 2" Socket Dual-Port,  
4" Socket, 6" Socket

Example: SKR201D-L= White Flow  
Star® Skimmer with 4" Socket  
Sump and 9" Ultra Basket

1 per case

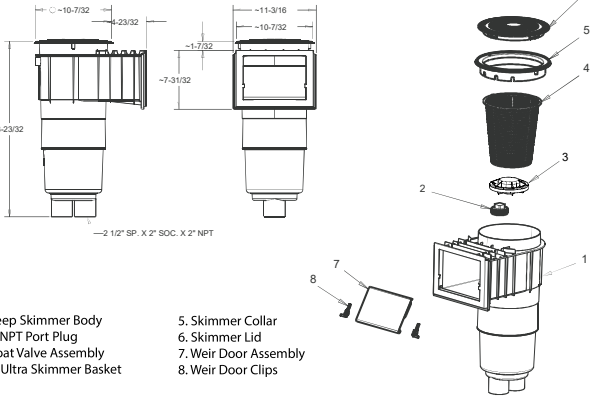
**STANDARD COLORS**

- SKR201-L – White
- SKR202-L – Black
- SKR203-L – Light Gray
- SKR204-L – Blue
- SKR205-L – Dark Gray
- SKR208-L – Tan

**NEW**



Part #  
SKR2xx-L



### Water Bonded

Bonding plate and copper  
wire connection meet NEC  
section 680.2 C.

Conforms to UL 1081, UL  
1563, CAN/CSA-C22.2

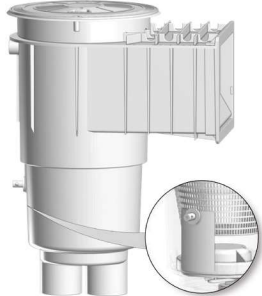
Bonding plate is safely  
placed behind the  
skimmer basket, for  
constant water contact,  
even when the pump is off

1 per case

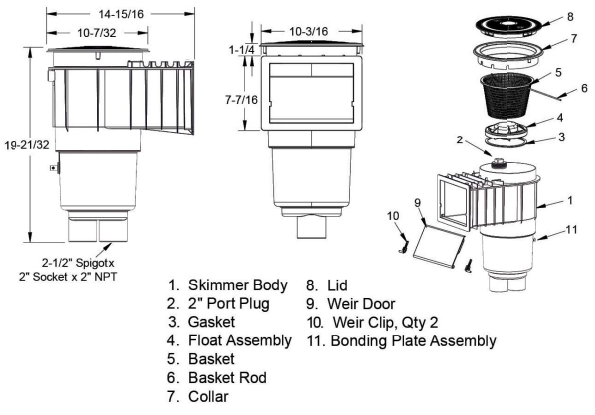
**STANDARD COLORS**

- 101
- 103
- 105
- 102
- 104
- 108

**NEW**



Standard Part # SKR17xxx  
9" Ultra Basket Part # SKR17xxx-L



# ADDITIONAL PORT CONFIGURATIONS FOR SKR2xx, SKR2xx-L, SKR17xxx, and SKR17xxx-L

### 4" Socket Sump

Extra heavy duty PVC lower  
unit (no transitional glue  
required)

Standard  
Part # SKR2xxD

9" Ultra Basket  
Part # SKR2xxD-L

Water Bonded  
Part # SKR17xxxD

Bonded 9" Ultra Basket  
Part # SKR17xxxD-L

1 per case



### 6" Socket Sump

Extra heavy duty PVC lower  
unit (no transitional glue  
required)

Standard  
Part # SKR2xxF

9" Ultra Basket  
Part # SKR2xxF-L







Water Bonded  
Part # SKR17xxxF

Bonded 9" Ultra Basket  
Part # SKR17xxxF-L

1 per case



## SKIMMER OPTIONS AND ACCESSORIES

STANDARD COLORS  101  102  103  104  105  108

### Adaptor Bushing



Eliminates the need to reduce down 4" or 3" plumbing when connecting to a skimmer with a dual-port PVC sump

Converts two 2½" spigot to 4" or 3" T

Includes two 4" x 3" reducer bushings

Shown as an example only – parts are sold separately

Part # SKR1xx with BFB101

1/case

### Skimmer Basket



Polypropylene basket locks in to remain in place during on and off pump cycles

Fits all standard skimmers

Part # SK6

50/case

### 9" Ultra Skimmer Basket



9" polypropylene Ultra Basket locks in to remain in place during on and off pump cycles

Fits all 9" Ultra Basket models

Part # SK96

50/case

### 3" Skimmer Extension Collar



Stack multiple collars to reach desired deck or bond beam height

Fits into AquaStar and most standard round skimmer collars (Sta-Rite/Pentair)

Part # SECxxx

20/case

### Float Assembly



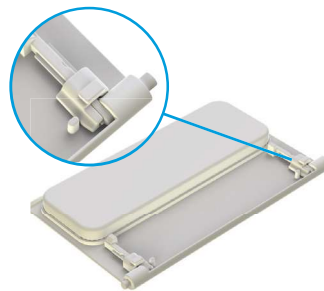
Includes O-ring gasket and flow adjustment flap

White only

Part # SKFL101

24/case

### Weir Plate Assembly for Standard & Vinyl/Fiberglass Skimmers









Includes weir clip locks to secure weir clips in place

Also available only weir clips Part # SK902

Part # SKWDxxx

24/case

## SKIMMER OPTIONS AND ACCESSORIES

STANDARD COLORS  101  102  103  104  105  108

### Round Skimmer Lid



UV tested to latest standard  
Optional custom name/  
logo insert p/n RTxxxA  
(min 500 pc order)  
Fits AquaStar and most  
standard round skimmer  
collars (Sta-Rite/Pentair)

Part # RTxxx

25/case

### Adjustable Round Skimmer Collar



Adjustable collar levels  
out uneven surfaces  
Fits AquaStar and most  
standard skimmers  
(Sta-Rite/Pentair)

Part # SK5xxx

20/case

### Round Skimmer Lid and Collar

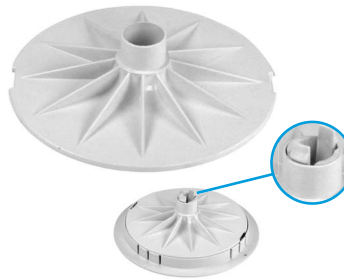


UV tested to latest standard  
Optional custom name/logo  
insert p/n SKRTxxxA  
(min 500 pc order)  
Fits AquaStar and most  
standard skimmers  
(Sta-Rite/Pentair)

Part # SKRTxxx

25/case

### Vacuum Plate

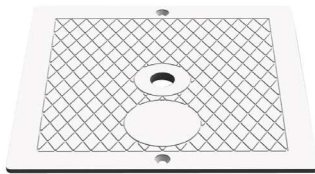


Snaps under skimmer lid  
for easy storage  
White only

Part # SK43101

25/case

### Square Skimmer Lid



UV tested to latest standard  
Optional custom name/  
logo insert p/n SK63xxxA  
(minimum 500-piece order)  
Fits AquaStar and most  
standard square skimmer  
collars (Sta-Rite/Pentair)

Part # SK63xxx

24/case

### Square Skimmer Collar



Adjustable collar levels  
out uneven surfaces  
Fits AquaStar and most  
standard skimmers  
(Sta-Rite/Pentair)

Part # SK61xxx

6/case

### Square Skimmer Lid and Collar



UV tested to latest standard  
features  
Optional custom name/  
logo insert p/n SK64xxxA  
(minimum 500-piece order)  
Fits AquaStar and most  
standard skimmers  
(Sta-Rite/Pentair)

Part # SK64xxx

6/case

### Round/Square Snap-in Lid and Collar



Round lid snaps into square  
housing  
UV tested to latest standard  
Optional custom name/  
logo insert p/n SK65xxxA  
(minimum 500-piece order)  
Fits AquaStar and most  
standard skimmers  
(Sta-Rite/Pentair)

Part # SK65xxx

8/case