

14" Square Anti-Entrapment Suction Outlet Cover and 9" Square Retro-Adapter Frame

VGB Series

The AquaStar line of suction outlet covers, compliant with the new Virginia Graeme-Baker Pool and Spa Safety Act (ANSI/APSP 16-2011 AND NSF 50-2008)

Features

For single or multiple drain use (see installation instructions)

Single - 3" sump depth
Floor: 560 GPM at 2.1 fps
Wall: 300 GPM at 1.2 fps

Floor/wall: 394 GPM at 1.5 fps

84 square inch opening

Retrofit adapter frame easily and safely retrofits most brands' existing 9" mud frame* with epoxy or screws or both; cover anchors into in-molded brass inserts in frame with four fine thread machine screws

Ideal for retrofitting over all existing sumps/frames up to 13" by anchoring directly into pool finish (plaster, tile, fiberglass, etc.) using four brass anchors and stainless screws in kit #BIK4

Trademarked VGB compliance button easily identifies VGB 2008 compliant cover from on deck and underwater

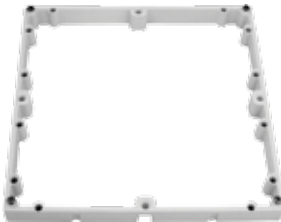
#316 stainless steel screws

Manufactured from superior UV-resistant engineered polymers

All components (cover, sump, screws) meet or exceed ANSI/APSP 16-2011 AND NSF 50-2008 national standards and ASTM G154 UV testing exposure

8 per case

Retrofits over all existing sumps/frames up to 13"



Retro-adapter frame

Optional – extra screw holes for anchoring directly into pool finish using four brass anchor kit part # BIK4



Part # R914xxx



*Fits: Hayward, Waterway, American (Pentair #2 selling), PacFab with 1" existing frames and four screw hole pattern; use part # 914xxx for new pools or retrofitting to 3/4" deep frames



STANDARD COLORS

101 105

102 108

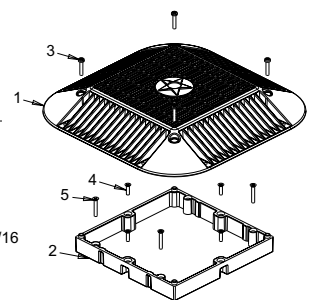
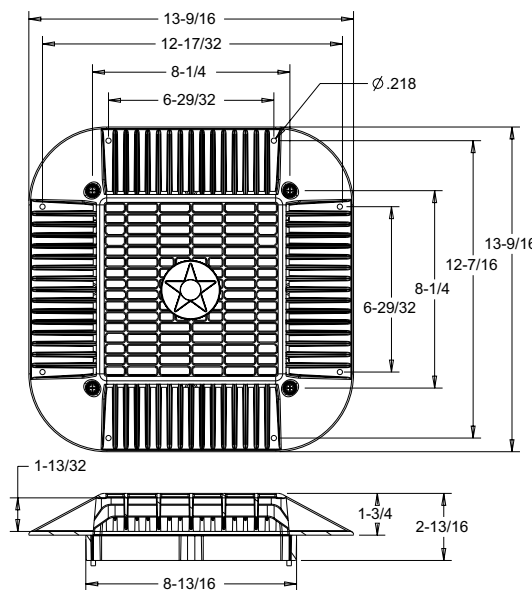
103

OPTIONAL COLORS

104 107

106

VGB 2008 Compliant



1. 14" x 14" to 9" x 9" square anti-entrapment cover
2. 14" x 14" to 9" x 9" square retro-adapter frame
3. 10-32 x 1" pan head phillips screw, ss
4. #10 flat head phillips screw
5. 10-24 x 1 1/4" flat head phillips screw, ss