

14" x 14" Retrofit to 9" x 9" Square Anti-Entrapment Suction Outlet Cover and Retro-Adapter Frame

VGB Series

Product Specification Sheet

Features

For single or multiple drain use
(see installation instructions)

Requires a minimum 3" sump depth

Single

Floor: 560 GPM at 2.1 fps

Wall: 300 GPM at 1.2 fps

Floor/wall: 394 GPM at 1.5 fps

84 square inch opening

Retrofit adapter frame fits into existing
9" mud frame* with epoxy or screws or both;
cover anchors into in-molded brass inserts in
frame with four fine thread machine screws

Trademarked VGB compliance button
easily identifies VGB 2008 compliant cover
from on deck and underwater

#316 stainless steel screws

Manufactured from superior UV-resistant
engineered polymers

Easily and safely retrofits most brands'
existing 9" frames* (see cross-reference
chart and installation instructions for
details and special requirements)

Ideal for retrofitting over all existing 8" sumps
and/or frames by anchoring directly into pool
finish (plaster, tile, fiberglass, etc.) using four
brass anchors and stainless screws in kit #BIK4

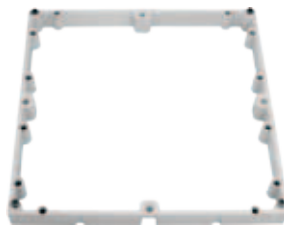
All components (cover, frame, screws)

meet or exceed NSF 50/ASME/ANSI
A112.19.8a-2008 national standards
and ASTM G154 UV testing exposure

8 per case

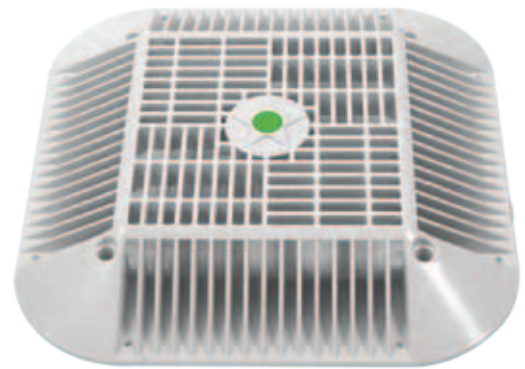
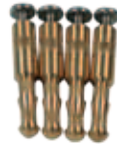
The AquaStar line of suction outlet covers, compliant with the new
Virginia Graeme-Baker Pool and Spa Safety Act (ASME/ANSI A112.19.8a-2008)

Retrofits over all existing sumps/frames up to 13"



Retro-adapter frame

Optional – extra screw
holes for anchoring
directly into pool finish
using four brass anchor
kit part # BIK4



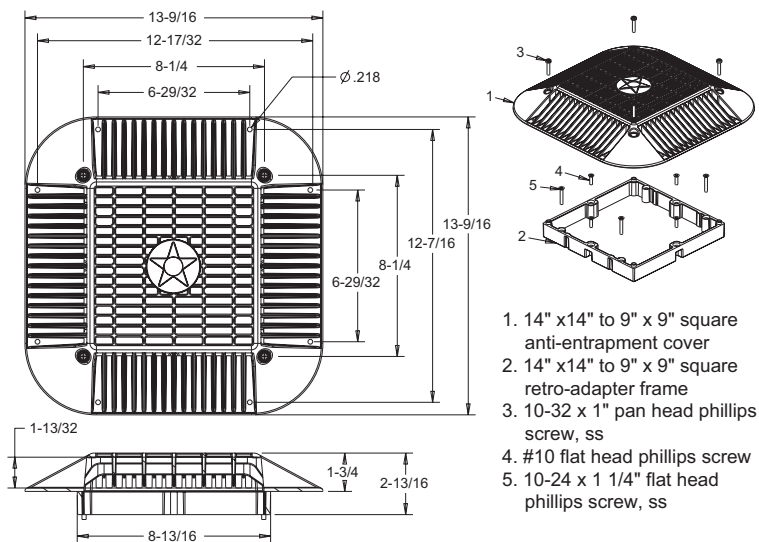
Part # R914xxx

*Fits: Hayward, Waterway, American (Pentair #2 selling),
PacFab with 1" existing frames and four screw hole pattern; use
part # 914xxx for new pools or retro-fitting to 3/4" deep frames

Part Numbers / Colors

- R914101 White
- R914102 Black
- R914103 Lt. Gray
- R914104 Blue
- R914105 Dk. Gray
- R914106 Bone
- R914107 Taupe
- R914108 Tan

VGB 2008 Compliant



1. 14" x 14" to 9" x 9" square anti-entrapment cover
2. 14" x 14" to 9" x 9" square retro-adapter frame
3. 10-32 x 1" pan head phillips screw, ss
4. #10 flat head phillips screw
5. 10-24 x 1 1/4" flat head phillips screw, ss