

# 12" Square Retrofit SUN Suction Outlet Cover

## VGB Series

### Product Specification Sheet

#### Features

For single or multiple drain use  
(see installation instructions)

Requires a minimum 3" sump depth

#### Single

Floor: 280 GPM at 2.5 fps

Wall: 280 GPM at 2.5 fps

Floor/wall: 166 GPM at 1.5 fps

35.3 square inch opening

#316 stainless steel screws

The SUN Series has the lowest profile  
9" x 9" and 12" x 12" VGB 2008 compliant  
suction outlets in the industry

Manufactured from superior  
UV-resistant engineered polymers

Easily and safely retrofits most brands'  
existing 12" frames\* (see chart on pages  
164-166 and installation instructions  
for details)

All components (cover, adapter plate, frame,  
screws) meet or exceed NSF 50/ASME/ANSI  
A112.19.8a-2008 national standards and  
ASTM G154 UV testing exposure

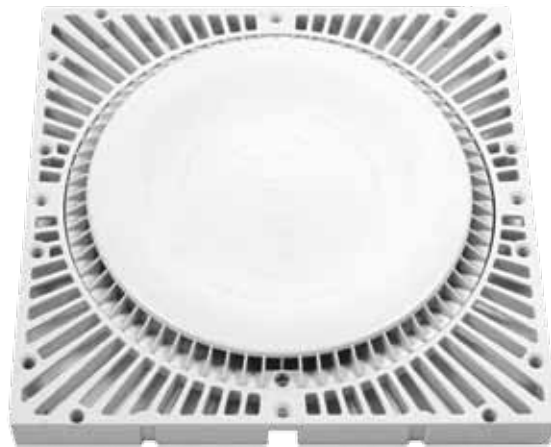
Listed with IAPMO R&T

12 per case

The AquaStar line of suction outlet covers, compliant with the new  
Virginia Graeme-Baker Pool and Spa Safety Act (ASME/ANSI A112.19.8a-2008)

## NEW SUN Series

Lowest profile! Great for spas and wading pools!



Part # RSUN12xxx

\*Fits: Hayward, Waterway, American (Pentair #2), PacFab (1" deep frames)

## Part Numbers / Colors

□ RSUN12101 White

■ RSUN12102 Black

■ RSUN12103 Lt. Gray

■ RSUN12104 Blue

■ RSUN12105 Dk. Gray

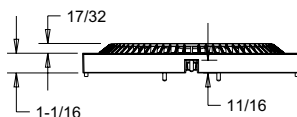
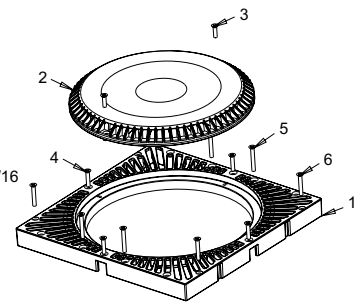
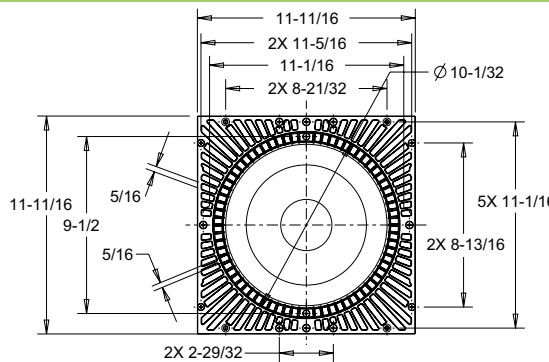
■ RSUN12106 Bone

■ RSUN12107 Taupe

■ RSUN12108 Tan

Frame sold separately  
p/n RFSFR12xxx 12 per case

**VGB 2008 Compliant**



1. 12" square retrofit "SUN" to 10" round adapter
2. 10" round anti-entrapment cover
3. #10 x 3/4" flat head phillips screw, 316 ss
4. #10 x 1" flat head phillips screw, 316 ss
5. #10 x 1-1/2" flat head phillips screw, 316 ss
6. 10-24 x 1-1/4" flat head phillips screw, 316 ss