

9" Square Retrofit SUN Suction Outlet Cover

VGB Series

Product Specification Sheet

Features

For single or multiple drain use
(see installation instructions)

Requires a minimum 3" sump depth

Single

Floor: 212 GPM at 3.5 fps

Wall: 128 GPM at 2.1 fps

Floor/wall: 92.6 GPM at 1.5 fps

19.7 square inch opening

#316 stainless steel screws

The SUN Series has the lowest profile
9" x 9" and 12" x 12" VGB 2008 compliant
suction outlets in the industry

Manufactured from superior
UV-resistant engineered polymers

Easily and safely retrofits most brands'
existing 9" frames* (see chart on pages
164-166 and installation instructions
for details)

All components (cover, adapter plate, frame,
screws) meet or exceed NSF 50/ASME/ANSI
A112.19.8a-2008 national standards and
ASTM G154 UV testing exposure

Listed with IAPMO R&T

20 per case

The AquaStar line of suction outlet covers, compliant with the new
Virginia Graeme-Baker Pool and Spa Safety Act (ASME/ANSI A112.19.8a-2008)

NEW SUN Series

Lowest profile! Great for spas and wading pools!



Part # RSUN9xxx

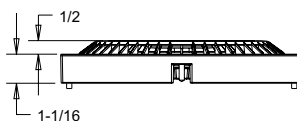
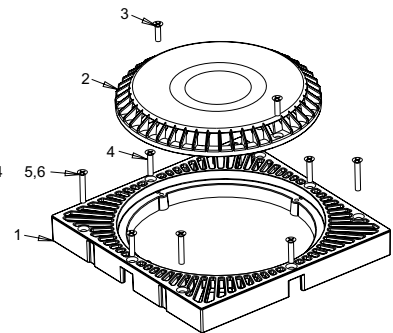
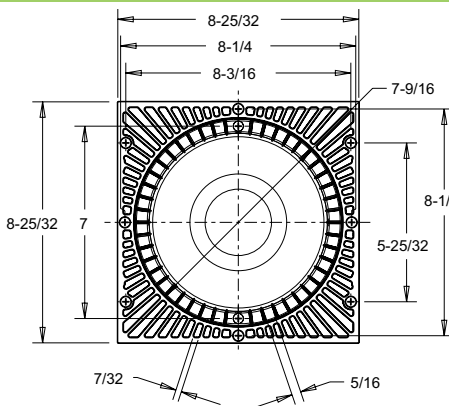
*Fits: Hayward, Waterway, American (Pentair #2), PacFab (1" deep frames)

Part Numbers / Colors

- RSUN9101 White
- RSUN9102 Black
- RSUN9103 Lt. Gray
- RSUN9104 Blue
- RSUN9105 Dk. Gray
- RSUN9106 Bone
- RSUN9107 Taupe
- RSUN9108 Tan

Frame sold separately
p/n RFSFR9xxx 20 per case

VGB 2008 Compliant



1. 9" square retrofit "SUN" to 8" round adapter
2. 8" round anti-entrapment suction outlet cover
3. #10 x 3/4" flat head phillips screw, 316 ss
4. #10 x 1" flat head phillips screw, 316 ss
5. 10-24 x 1-1/4" flat head phillips screw, 316 ss
6. #10 x 1 1/2" flat head phillips screw, 316 ss