

**FEATURES**

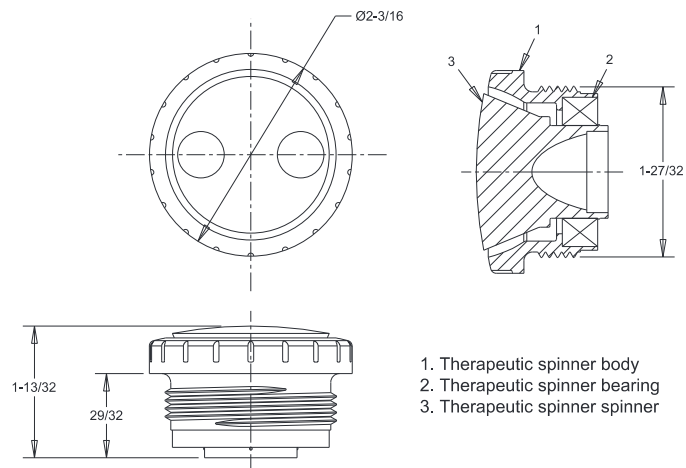
- Screws into any existing 1½" fitting
- Easily converts 1½" return fittings to therapeutic spinner action, great for spas
- Stainless steel ball bearing race
- Manufactured from engineered polymer UV-resistant material
- 100 per case



Part # TSxxx

**STANDARD COLORS**

- 101
- 104
- 102
- 105
- 103
- 108



1. Therapeutic spinner body
2. Therapeutic spinner bearing
3. Therapeutic spinner spinner