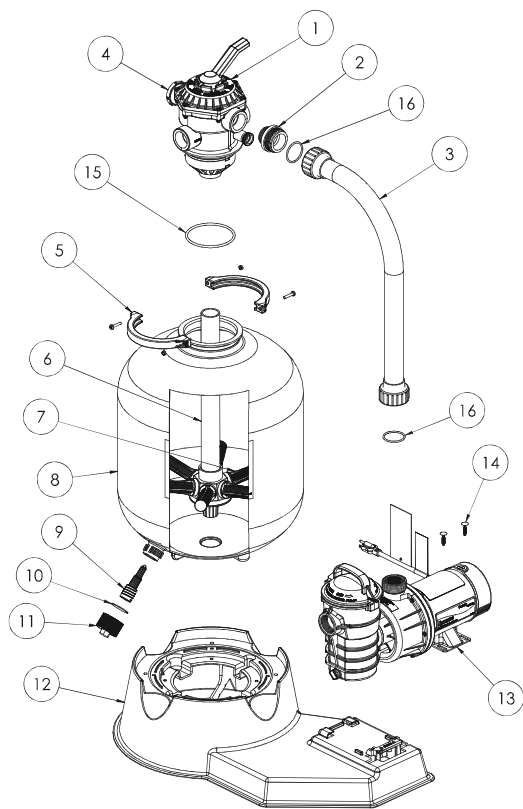


SAND DOLLAR® FILTER SYSTEMS

REPLACEMENT PARTS FOR SYSTEMS MANUFACTURED 2009 AND BEYOND

Item	Part No.	Description	US List	Can. List
SAND DOLLAR FILTER SYSTEMS 2009 AND BEYOND				
1	262506	Valve, 1-1/2 Inch, 6-Way	CALL	CALL
2	354588	Adaptor, NPT to Buttress	22.11	26.57
3	155709	Pump to Filter Assembly (Dynamo to SD35)	68.23	81.99
3	155710	Pump to Filter Assembly (Dynamo to SD40)	71.33	85.71
3	155711	Pump to Filter Assembly (Dynamo to SD60)	75.13	90.28
4	190059Z	Pressure Gauge	CALL	CALL
5	152165	Clamp Assembly	26.97	32.41
6	152229	Piping Assembly - SD35	135.18	162.43
6	152228	Piping Assembly - SD40	124.80	149.96
6	152227	Piping Assembly - SD60	145.09	174.34
7	150084	Lateral - SD 35 & SD 40	7.51	9.02
7	150085	Lateral - SD60	9.43	11.33
8	145339	Tank w/Drain - SD35	308.18	370.31
8	145341	Tank w/Drain - SD40	408.85	491.27
8	145343	Tank w/Drain - SD60	566.06	680.18
9	154711Z	Sand Drain	CALL	CALL
10	154715	Gasket (Sand Drain)	6.25	7.51
11	154712Z	Drain Cap	CALL	CALL
12	155333P	Systems Base	103.70	124.61
12	155333CP	Systems Base, CSA Pump	103.69	124.59
13	Dynamo Pump Page 536			
14	710009	Base Hardware Kit	18.11	21.76
15	272541	O-Ring Valve Body	8.80	10.57
16	354571	O-Ring, Union	3.84	4.61
NOT SHOWN				
	155151	Kit, Flex Hose, 6 ft. ¹	108.80	130.73
	155005	Kit, Flex Hose, 12 ft. ¹	143.58	172.53



¹ Replacement Hose Kits include two (2) hoses, four (4) hose adaptors and four (4) hose clamps.

CALIFORNIA PROPOSITION 65 WARNING

⚠ **WARNING:** Cancer and Reproductive Harm .
 ⚠ **AVERTISSEMENT:** Peut Causer le Cancer et des Dommages au Système Reproducteur.
 ⚠ **ADVERTENCIA:** Cáncer y Daño Reproductivo.
www.p65warnings.ca.gov