

SM/SMBW 2000 or 4000 Series™ Filter Vent Tube Installation Instructions

IMPORTANT SAFETY INSTRUCTIONS
READ AND FOLLOW ALL INSTRUCTIONS
SAVE THESE INSTRUCTIONS

⚠ WARNING

Before installing this product, read and follow all warning notices and instructions accompanying this filter. Failure to follow safety warnings and instructions can result in severe injury, death, or property damage. Call (800) 831-7133 for additional free copies of these instructions.

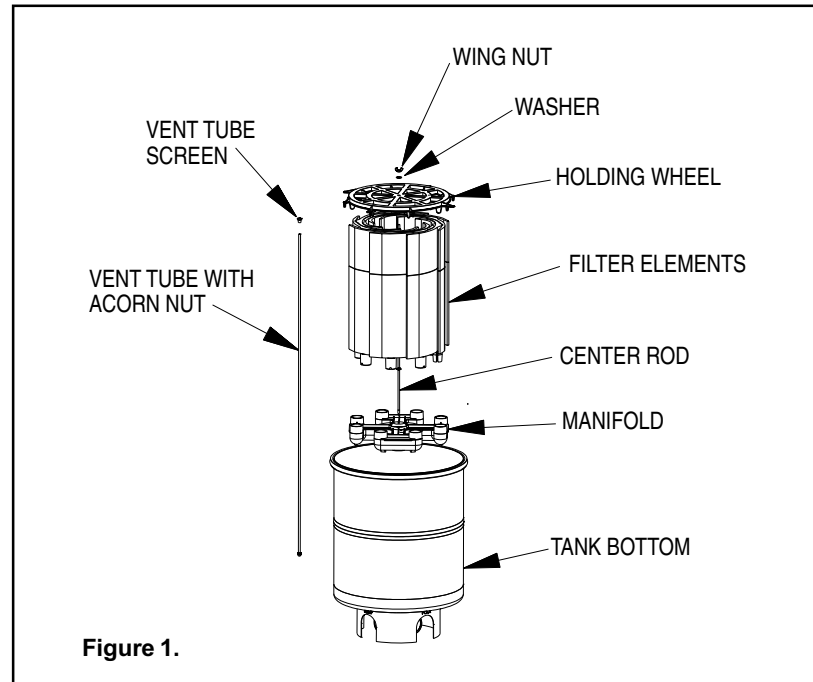
Important Notice



Attention Installer.

This manual contains important information about the installation, operation and safe use of this product. This information should be given to the owner/operator of this equipment.

1. Once the holding wheel, filter elements, center rod and manifold are removed from the lower tank, cut the new Vent Tube equal to the length of the center rod. Do not cut off the attached acorn nut, cut the opposite end. See Figure 1.



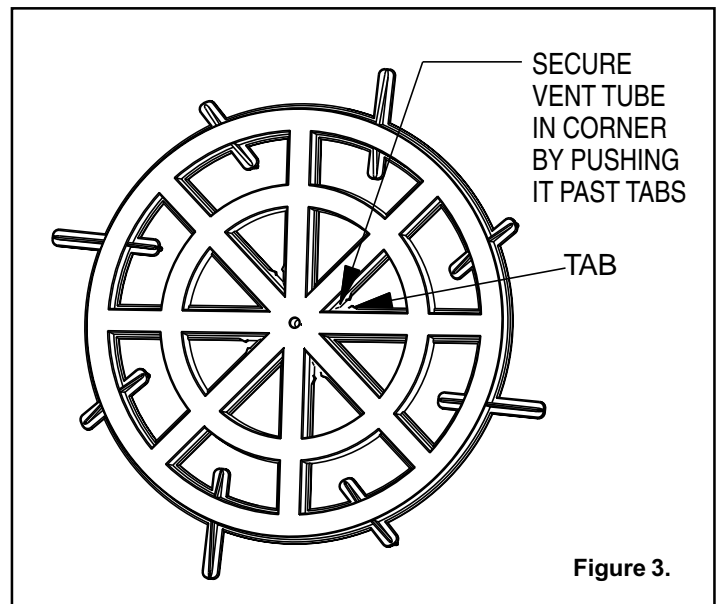
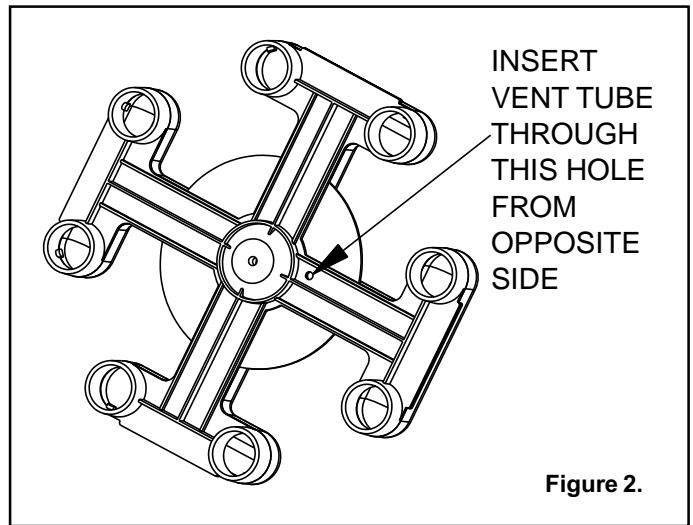
Pentair Water Pool and Spa, Inc.

1620 Hawkins Ave., Sanford, NC 27330 • (919) 566-8000
10951 West Los Angeles Ave., Moorpark, CA 93021 • (805) 553-5000

 **Pentair**
Pool Products®

Because reliability matters most

2. Push the free end of vent tube up through the small off-center hole from within the manifold cavity.
3. Pull the full length of the vent tube through the manifold until the nut attached to the other end comes up against the manifold wall. Do not pull hard at this point since the nut may come loose at which point it will need to be reattached. See Figure 2.
4. Install the manifold into the bottom of the tank and secure by placing the center rod down through manifold and threading it into the bottom port. Be sure the end of the center rod with the staked washer is nearest to the manifold.
5. Install the filter elements into the manifold sockets. Use the notch on the elements to guide them to the proper position. All elements are interchangeable.
6. Install the holding wheel over the center rod while at the same time position the vent tube through one of the four triangular openings in the manifold which have a slot to secure the vent tube. Secure the top manifold to center rod using the washer and wing nut (**finger tighten only**). See Figure 3.
7. Press the vent tube into the slot on holding wheel.
8. Press Vent Tube Screen onto free end of the vent tube.
9. Install filter lid and clamp as specified in the owner's manual.



SAVE THESE INSTRUCTIONS.

© 2006 Pentair Water Pool and Spa, Inc. All rights reserved.

This document is subject to change without notice.

1620 Hawkins Ave., Sanford, NC 27330 • (919) 566-8000
 10951 West Los Angeles Ave., Moorpark, CA 93021 • (805) 553-5000



Trademarks and Disclaimers: SM/SMBW 2000/4000 Series is a trademark of Pentair Water Pool and Spa, Inc. The *Pentair Pool Products* logo is a registered trademark of Pentair Water Pool and Spa, Inc. Other trademarks and trade names may be used in this document to refer to either the entities claiming the marks and names or their products. Pentair Water Pool and Spa, Inc. disclaims any proprietary interest in trademarks and trade names other than its own.