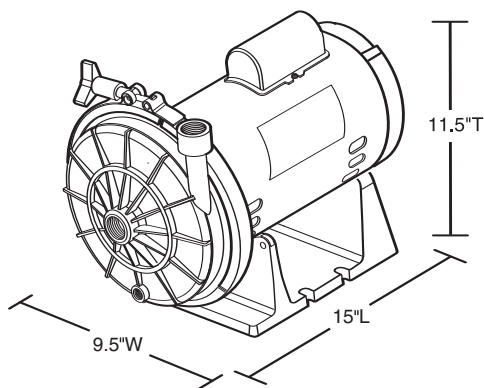




The Polaris Halcyon Booster Pump is 28% quieter than comparable pumps. Its compact size and adjustable volute provide more flexibility at installation. Redesigned components and simplified mechanics make it easier to install and to service.

- 28% quieter operation
- Full 360° volute adjustability
- Band clamp design makes flute rotation and removal easy with no tools required
- Wing-nut style drain plug requires no tools or silicone
- Seal is designed in units that press together for quick installation and easy replacement, no silicone or special tools required
- Patented design provides extra leak protection for the bearings
- Easy, 90-degree twist and pull shaft end cap releases with the simple turn of a wrench



### Specifications

Dimensions: 15"L x 9.5"W x 11.5"T

Motor: 3/4 HP, 60 cycle

Power Supply: 120/240 VAC



USA: 2620 Commerce Way, Vista, CA 92081-8438 • 760-599-9600 • 1-800-VAC-SWEEP (USA and Canada only)

Australia: Unit 4, 19-21 Gibbes Street, Chatswood, NSW 2067 • 02-9882-1111 • ACN 080 168 092

Europe: C/Osona s/n. (Pol. Ind. El Ramassar), 08520 Les Franqueses del Vallés, Barcelona, Spain • +34 93 840 25 85

[www.polarispool.com](http://www.polarispool.com)