

# Attention Installer

Please give this manual to the owner and/or operator once installation is complete.

# Attention User

Please retain this manual for future reference, it contains important information that will help you in operating and maintaining this heater.

Call (800) 831-7133 for additional free copies of these instructions.

© 2007 Pentair Water Pool and Spa, Inc. All rights reserved.

This document is subject to change without notice.

1620 Hawkins Ave., Sanford, NC 27330 • (800) 831-7133 • (919) 566-8000

10951 West Los Angeles Ave., Moorpark, CA 93021 • (800) 831-7133 • (805) 553-5000



# MasterTemp®

## Pool & Spa Heater

### OPERATION & INSTALLATION MANUAL



#### 120/240 VAC NATURAL GAS/LP GAS

MODELS	Natural	Propane
175K BTU/HR	460792	460793
200K BTU/HR	460730	460731
250K BTU/HR	460732	460733
250K BTU/HR (HD)	460806	—
300K BTU/HR	460734	460735
400K BTU/HR	460736	460737
400K BTU/HR (HD)	460805	—
400K BTU/HR (ASME)	460775	460776



**Consumer  
Retain For  
Future  
Reference**

### **⚠ WARNING**

#### **FOR YOUR SAFETY - READ BEFORE OPERATING**

- If you do not follow these instructions exactly, a fire or explosion may result, causing property damage, personal injury or loss of life.
- Improper installation, adjustment, alteration, service or maintenance can cause property damage, personal injury or death. Installation and service must be performed by a qualified installer, service agency or the gas supplier.
- Do not store or use gasoline or other flammable vapors and liquids in the vicinity of this heater or other appliances.

#### **WHAT TO DO IF YOU SMELL GAS**

- Do not try to light any appliance.
  - Do not touch any electrical switch; do not use any phone in your building.
  - Immediately call your gas supplier from a neighbor's phone.
- Follow the gas supplier's instructions.
- If you cannot reach your gas supplier, call the fire department.

*For additional free copies of this manual; call (800) 831-7133.*

#### **Pentair Water Pool and Spa, Inc.**

1620 Hawkins Ave., Sanford, NC 27330 • (919) 566-8000  
10951 W. Los Angeles Ave., Moorpark, CA 93021 • (805) 553-5000

# Customer Service

If you have questions about ordering Pentair replacement parts, and pool products, please use the following contact information.

**Customer Service and Technical Support** (8 A.M. to 5 P.M. Eastern Time/Pacific Time)

Phone: (800) 831-7133

Fax: (800) 284-4151

## Web site

visit [www.pentairpool.com](http://www.pentairpool.com) or [www.staritepool.com](http://www.staritepool.com) to find information about Pentair products

© 2007 Pentair Water Pool and Spa, Inc. All rights reserved.

1620 Hawkins Ave., Sanford, NC 27330 • (800) 831-7133 or (919) 566-8000

10951 West Los Angeles Ave., Moorpark, CA 93021 • (800) 831-7133 or (805) 553-5000

293 Wright Street, Delavan, WI 53115 • (262) 728-5551

**This document is subject to change without notice.**

**Trademarks and Disclaimers:** The *Pentair Pool Products logo* and MasterTemp are registered trademarks of Pentair Water Pool and Spa, Inc. Other trademarks and trade names may be used in this document to refer to either the entities claiming the marks and names or their products. Pentair Water Pool and Spa, Inc. disclaims any proprietary interest in trademarks and trade names other than its own.

# Table of Contents

<b>Section 1. Heater Identification Information .....</b>	<b>4</b>
<b>Section 2. Introduction .....</b>	<b>5</b>
Important Notices .....	5
Warranty Information .....	5
Code Requirements .....	6
Consumer Information and Safety Information .....	6 - 8
General Specifications .....	8
<b>Section 3. Installation .....</b>	<b>9</b>
Heater Description .....	9
Putting the Heater into Service .....	9
Specifications .....	10
Plumbing Connections .....	11
Valves .....	11
Manual By-Pass .....	11
Water Connections .....	12
Below Pool Installation .....	12
Gas Connections .....	13
Sediment Traps .....	13
Gas Pipe Sizing .....	14
Testing Gas Pressure/Gas Pressure Requirements .....	15
Outdoor Installation .....	16
Outdoor Installation Venting Guidelines .....	17
Indoor Venting—General Requirements (Category I & Category III – clarification) .....	18
Heater Clearances .....	18
Outside Vent Removal .....	18
Combustion Air Supply .....	19
Corrosive Vapors and Possible Causes .....	19
Vent Installation (Indoor Installation for U.S. or Outdoor Shelter for Canada) .....	20
Vertical Venting - Negative Pressure .....	20 - 22
Horizontal or Vertical Venting - Positive Pressure .....	23
Connecting Special Gas Venting .....	23 - 25
Outdoor Shelter Vent Installation .....	26
Garage or Utility Room Installation .....	26
Control Panel Indexing .....	27
Final Installation Check .....	27
Electrical Connections .....	28
Fireman's Switch Connection/Remote Control Connections .....	29
MasterTemp Wiring Diagram .....	30
Electrical Schematic Ladder Diagram .....	31
<b>Section 4. Operation .....</b>	<b>32</b>
Basic System Operation .....	32
HSI (Hot-Surface Ignition) Lighting/Operation .....	32
Operating .....	33
To Turn Off Gas to Appliance .....	33
Safety Controls .....	34 - 36
<b>Section 5. Troubleshooting .....</b>	<b>37</b>
Initial Troubleshooting and Troubleshooting Chart .....	37
Heater Will Not Fire Troubleshooting .....	38 - 41
LED Diagnostics .....	42 - 43
Burner / Heat Exchanger Troubleshooting .....	44
<b>Section 6. Maintenance .....</b>	<b>45</b>
Care and Maintenance .....	45
Pressure Relief Valve .....	45
After Start-Up .....	46
Spring, Fall and Winter Operation .....	46
Maintaining Pool Temperature .....	47
Energy Saving Tips .....	47
Chemical Balance .....	47 - 48
Replacement Parts .....	49 - 53



# Heater Identification Information

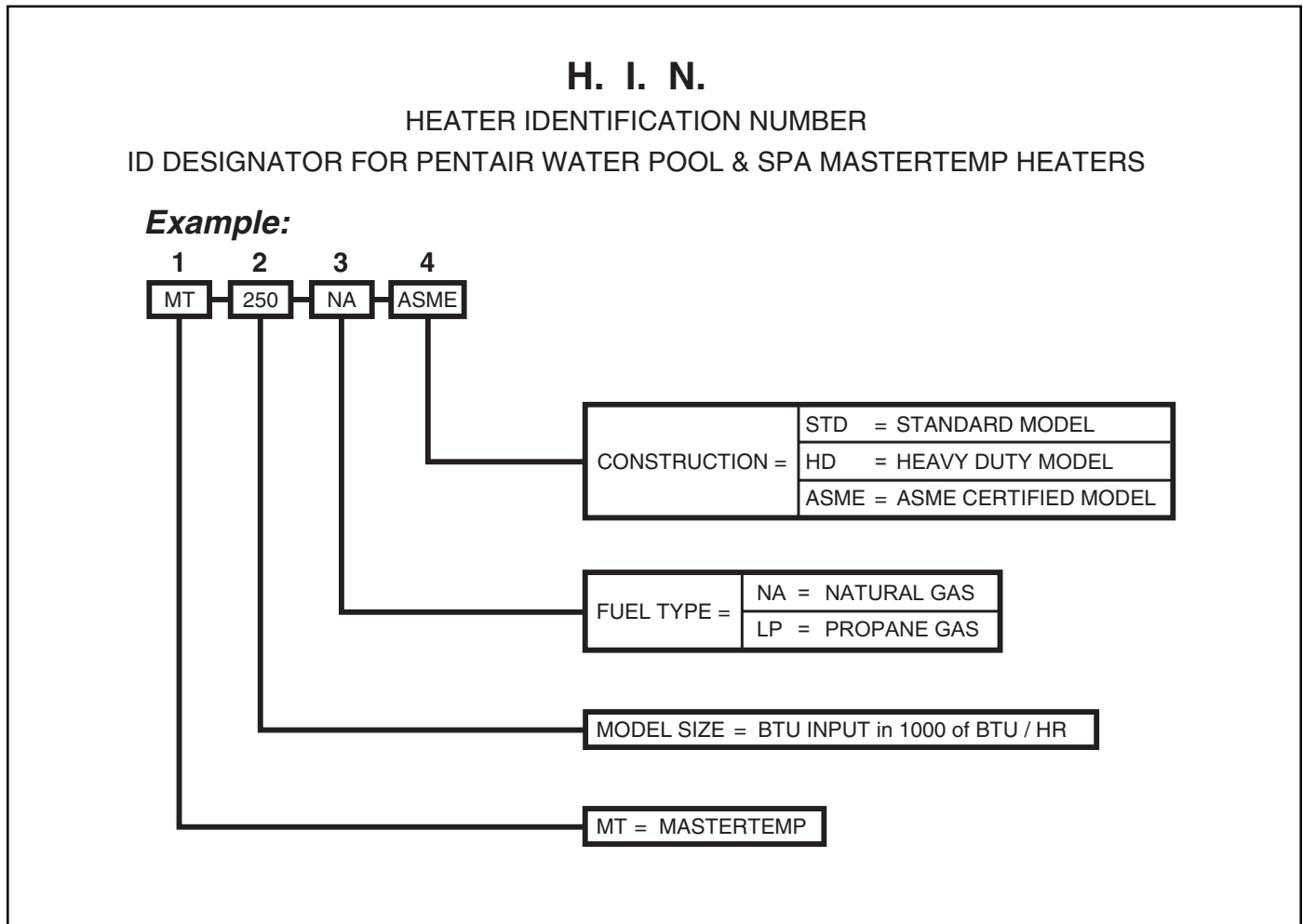
To identify the heater, see rating plate on the inner front panel of the heater. There are two designators for each heater, one is the Model Number and the other is the Heater Identification Number (HIN).

**a. Heater Identification Number (HIN)**

The following *example* simplifies the identification system:

- 1) **MT** : MasterTemp
- 2) **Model Size** : (175, 200, 250, 300 or 400) : Input rating (Btu/hr) X 1000
- 3) **Fuel Type** : (LP = Propane gas or NA = Natural gas)
- 4) **Construction** : (STD = Standard Model)  
 (HD = Heavy Duty Model)  
 (ASME = ASME Certified Model)

## HEATER IDENTIFICATION INFORMATION — (HIN)



# Introduction

## MasterTemp® Pool and Spa Heater

Congratulations on your purchase of a MasterTemp high performance heating system. Proper installation and service of your new heating system and correct chemical maintenance of the water will ensure years of enjoyment. The MasterTemp is a compact, lightweight, efficient, induced-draft, gas fired high performance pool and spa heater that can be directly connected to schedule 40 PVC pipe. The MasterTemp also comes equipped with the Pentair multifunction temperature controller which shows, at a glance, the proper functioning of the heater. All MasterTemp heaters are designed with a direct ignition device, HSI (hot-surface ignition), which eliminates the need for a standing pilot. The MasterTemp requires an external power source (120/240 VAC 60 Hz) to operate.

**SPECIAL INSTRUCTIONS TO OWNER:** Retain this manual for future reference. This instruction manual provides operating instructions, installation and service information for the MasterTemp high performance heater. The information in this manual applies to all MasterTemp models. **READ AND REVIEW THIS MANUAL COMPLETELY**, it is very important that the owner/installer read and understand the section covering installation instructions, and recognize the local and state codes before installing the MasterTemp. Its use will reduce service calls and chance of injury and will lengthen product life. History and experience has shown that most heater damage is caused by improper installation practices.

### **IMPORTANT NOTICES**

...For the installer and operator of the MasterTemp pool and spa heater. The manufacturer's warranty may be void if, for any reason, the heater is improperly installed and/or operated. Be sure to follow the instructions set forth in this manual. If you need any more information, or if you have any questions regarding to this pool heater, please contact Pentair Water Pool and Spa, Inc. at (800) 831-7133.

### **WARRANTY INFORMATION**

The MasterTemp pool heater is sold with a limited factory warranty. *Specific details are described on the warranty registration card which is included with the product.* Return the warranty registration card after filling in the serial number from the rating plate inside the heater.

*Pentair Water Pool and Spa's high standards of excellence include a policy of continuous product improvement resulting in your state-of-the-art heater. We reserve the right to make improvements which change the specifications of the heater without incurring an obligation to update the current heater equipment.*

**These heaters are designed for the heating of chlorine, bromine or salt system swimming pools and spas or in non-stationary installations, and should never be employed for use as space heating boilers or general purpose water heaters. The manufacturer's warranty may be void if, for any reason, the heater is improperly installed and/or operated. Be sure to follow the instructions set forth in this manual.**

### **⚠ CAUTION**

**OPERATING THIS HEATER CONTINUOUSLY AT WATER TEMPERATURE BELOW 68° F. WILL CAUSE HARMFUL CONDENSATION AND WILL DAMAGE THE HEATER AND VOID THE WARRANTY. Do not use the heater to protect pools or spas from freezing if the final maintenance temperature desired is below 68° F., as this will cause condensation related problems.**

## CODE REQUIREMENTS

Installation must be in accordance with all local codes and/or the latest edition of the *National Fuel Gas Code, ANSI Z223.1/NFPA54* and the *National Electrical Code, ANSI/NFPA70 (U.S.)*, or standards *CSA B149 – INSTALLATION CODES FOR GAS-BURNING APPLIANCES AND EQUIPMENT* and/or local codes and *Standard CSA C22.1 – Canadian Electrical Code, Part 1 (Canada)*. The heater, when installed, must be electrically grounded and bonded in accordance with local codes, or, in absence of local codes, with the *Canadian Electrical Code* or the *National Electrical Code, ANSI/NFPA70*, as applicable.



## CONSUMER INFORMATION AND SAFETY

### ⚠ WARNING


The U.S. Consumer Product Safety Commission warns that elevated water temperature can be hazardous. See below for water temperature guidelines before setting temperature.

1. Spa or hot tub water temperatures should never exceed 104° F. A temperature of 100° F. is considered safe for a healthy adult. Special caution is suggested for young children. Prolonged immersion in hot water can induce hyperthermia.
2. Drinking of alcoholic beverages before or during spa or hot tub use can cause drowsiness which could lead to unconsciousness and subsequently result in drowning.
3. Pregnant women beware! Soaking in water above 100° F. can cause fetal damage during the first three months of pregnancy (resulting in the birth of a brain-damaged or deformed child). Pregnant women should stick to the 100° F. maximum rule.
4. Before entering the spa or hot tub, the user should check the water temperature with an accurate thermometer. Spa or hot tub thermostats may err in regulating water temperatures by as much as 4° F.
5. Persons with a medical history of heart disease, circulatory problems, diabetes or blood pressure problems should obtain their physician's advice before using spas or hot tubs.
6. Persons taking medication which induce drowsiness, such as tranquilizers, antihistamines or anticoagulants should not use spas or hot tubs.

### ⚠ WARNING


Should overheating occur or the gas supply fail to shut off, turn off the manual gas control valve to the heater. Do not use this heater if any part has been under water. Immediately call a qualified service technician to inspect the heater and to replace any part of control system and gas control which has been under water.

## SAFETY INFORMATION


The MasterTemp® pool heaters are designed and manufactured to provide many years of safe and reliable service when installed, operated and maintained according to the information in this manual. Throughout the manual, safety warnings and cautions are identified by the “” symbol. Be sure to read and comply with all of the warnings and cautions.

### **WARNING — FOR YOUR SAFETY**


This product must be installed and serviced by a professional service technician, qualified in pool heater installation. Some jurisdictions require that installers be licensed. Check with your local building authority about contractor licensing requirements. Improper installation and/or operation could create carbon monoxide gas and flue gases which could cause serious injury or death. Improper installation and/or operation will void the warranty.


 **WARNING** — **This heater is equipped with an unconventional gas control valve that is factory set with a manifold pressure of -.2 inches wc.** Improper installation, adjustment, alteration, service or maintenance can cause property damage, personal injury or loss of life. Installation or service must be performed by a qualified installer, service agency or the gas supplier. If this control is replaced, it must be replaced with an identical control.


**Do not attempt to adjust the gas flow by adjusting the regulator setting.**

 **WARNING** — **Risk of fire or explosion from incorrect fuel use or faulty fuel conversion.** Do not try to run a heater set up for natural gas on propane gas or vice versa. Only qualified service technicians should attempt to convert heater from one fuel to the other. Do not attempt to alter the rated input or type of gas by changing the orifice. If it is necessary to convert to a different type of gas, consult your Pentair dealer. Serious malfunction of the burner can occur which may result in loss of life. Any additions, changes, or conversions required in order for the appliance to satisfactorily meet the application needs must be made by a Pentair dealer or other qualified agency using factory specified and approved parts. The heater is available for use with natural gas or LP (propane) gas only. It is not designed to operate with any other fuels. Refer to the nameplate for the type of gas the heater is equipped to use.

- Use heater only with the fuel for which it is designed.
- If a fuel conversion is necessary, refer this work to a qualified service technician or gas supplier before putting the heater into operation.

 **WARNING** — **Risk of fire or explosion from flammable vapors.** Do not store gasoline, cleaning fluids, varnishes, paints, or other volatile flammable liquids near heater or in the same room with heater.

 **WARNING** — **Risk of explosion if unit is installed near propane gas storage.** Propane (LP) gas is heavier than air. Consult local codes and fire protection authorities about specific installation requirements and restrictions. Locate the heater away from propane gas storage and filling equipment as specified by the Standard for the Storage and Handling of Liquefied Petroleum Gases, CAN/CSA B149.2 (latest edition) or ANSI/NFPA 58 (latest edition).

 **WARNING** — **Risk of fire, carbon monoxide poisoning, or asphyxiation if exhaust venting system leaks.** Only qualified service technicians should attempt to service the heater, as leakage of exhaust products or flammable gas may result from incorrect servicing.

## **SAFETY INFORMATION, (cont'd.)**

**⚠ WARNING** — Risk of asphyxiation if exhaust is not correctly vented. Follow venting instructions exactly when installing heater. Do not use a draft hood with this heater, as the exhaust is under pressure from the burner blower and a draft hood will allow exhaust fumes to blow into the room housing the heater. The heater is supplied with an integral venting system for outdoor installation. A vent conversion kit (See Page 23 for Part Numbers for Conversion Kits) is available for installations in enclosures (Canada) or indoors (U.S.). Use the specified venting, and only the specified venting, when heater is installed in an enclosure or indoors. In Canada, this pool heater can only be installed outdoors or in an enclosure that is not normally occupied and has no openings directly into occupied areas. See Page 19 for enclosure venting requirements.

**⚠ CAUTION** — Label all wires prior to disconnection when servicing controls. Wiring errors can cause improper and dangerous operation. Wiring errors can also destroy the control board.

- Connect heater to 120 or 240 Volt, 60 Hz., Single Phase power only.
- Verify proper operation after servicing.
- Do not allow children to play on or around heater or associated equipment.
- Never allow children to use the pool or spa without adult supervision.
- Read and follow other safety information contained in this manual prior to operating this pool heater.

## **GENERAL SPECIFICATIONS**

### **NOTICE:**

- Combustion air contaminated by corrosive chemical fumes can damage the heater and will void the warranty.
- The Combination Gas Control Valve on this heater differs from most appliance gas controls. If it must be replaced, for safety reasons replace it only with an identical gas control.
- The access door panels must be in place to provide proper ventilation. Do not operate the heater for more than five (5) minutes with the access door panels removed.
- This heater is design certified by CSA International as complying with the Standard for Gas Fired Pool Heaters, ANSI Z21.56/CSA 4.7, and is intended for use in heating fresh water swimming pools or spas.
- The heater is designed for the heating of chlorine, bromine or salt system swimming pools and spas. It should **NOT** be used as a space heating boiler, or general purpose water heater. The heater requires an external 120 or 240 VAC single-phase electric power source.
- The heater is design certified by CSA International for installation on combustible flooring. Specified minimum clearances must be maintained to combustible surfaces (see “Heater Clearances”, page 18).
- The heater should be located in an area where leakage of the heater or connections will not result in damage to the area adjacent to the heater or to the structure. When such locations cannot be avoided, it is recommended that a suitable drain pan, adequately drained, be installed under the heater. The pan must not restrict air flow.
- The heater may not be installed within five feet of the inside surface of a pool or spa unless it is separated by a solid fence, wall or other permanent barrier.

# Installation Instructions

## HEATER DESCRIPTION

Figure 1 is a diagram of the heater showing how it operates. Precisely matched orifice plates meter the air and gas into the mixer. The blower draws the air and gas through the mixer and forces it into the burner's flame holder. A sealed heat exchanger surrounds the flame holder, discharging exhaust gases out the flue.

Two inch PVC water piping connects directly to the manifold/header on the heat exchanger using 2" PVC slip unions provided with the heater. The outer manifold remains cool; no heat sinks are required. A thermal regulator and an internal bypass regulate the water flow through the heat exchanger to maintain the correct outlet temperature. The heater operator control panel board assembly is located on top of the heater.

## SEQUENCE OF OPERATION

An electronic temperature sensing **thermistor** in the manifold adapter inlet controls the heater operation. When the inlet water temperature drops below the temperature set on the **operating control**, the **burner controller** supplies power to the combustion **air blower** through a series of **safety interlocks**. The interlocks consist of:

- the **pressure switch (PS)**, which senses that the pump is running,
- the **high limit switch (HLS)**, which opens if the heat exchanger outlet temperature goes above 135° F (57° C), and
- the **air flow switch (AFS)**, which senses the pressure drop across the air metering orifice,
- the **automatic gas shut-off (AGS)** switch, which opens if the heat exchanger outlet temperature goes above 140° F (60° C).
- the **stack flue sensor (SFS)**, which shuts down the heater if the flue gas temperature reaches 500° F (260° C).

The air flow switch (AFS) senses the pressure drop across the air metering orifice. As soon as there is sufficient air flow, the AFS closes, closing the circuit to the **hot surface igniter (HSI)**, which ignites the fuel mixture. On a call for heat, the blower and HSI are energized. In about 20 seconds, the gas valve opens and ignition occurs. The HSI then switches to a sensing mode and monitors the flame.

The heater is equipped with a digital operating control that enables the user to pre-set the desired pool and spa water temperatures. The control enables the user to select between pool and spa heating, and features a digital display that indicates the water temperature.

## PUTTING THE HEATER INTO SERVICE

If the heater is installed below the level of the pool, or more than two feet above pool level, the pressure switch setting should be adjusted. See WATER PRESSURE SWITCH, in the SAFETY CONTROLS Section.

Before putting the heater into service for the first time, follow the instructions under "BEFORE START-UP" (page 32) in the front of this manual. Check for proper operation of the heater by following the steps under "OPERATION INSTRUCTIONS."

Damage to equipment caused by improper installation or repair will void the warranty.

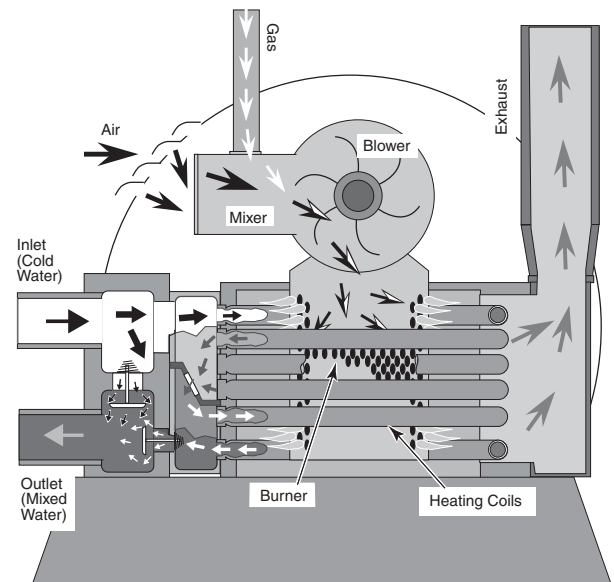
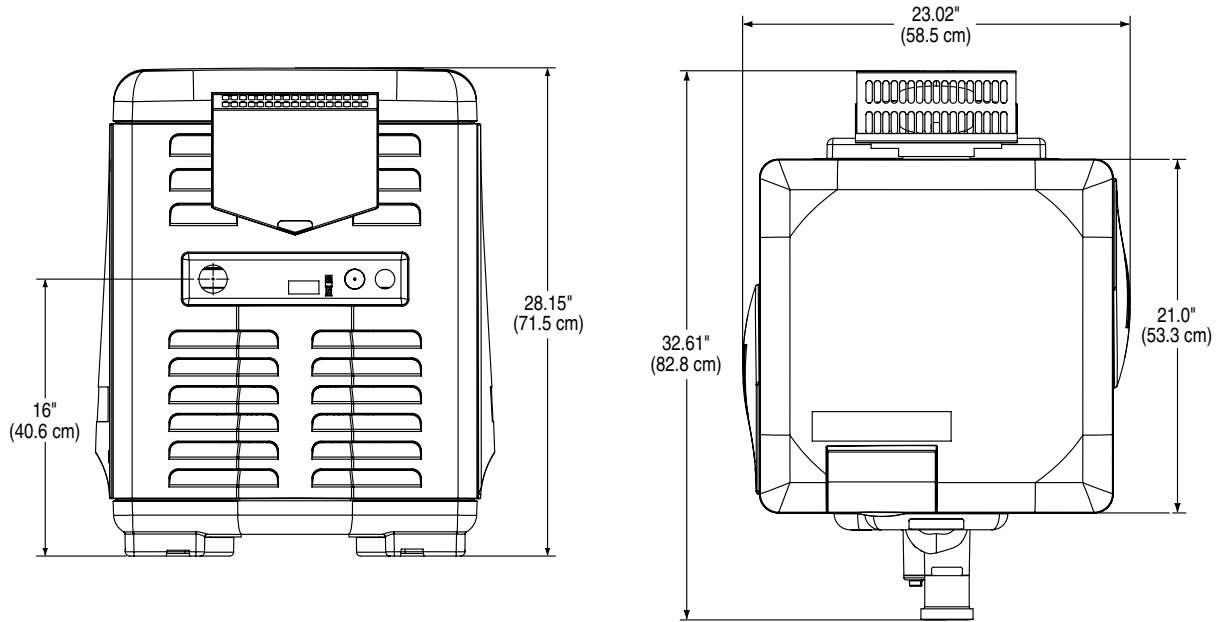


Figure 1.

# SPECIFICATIONS

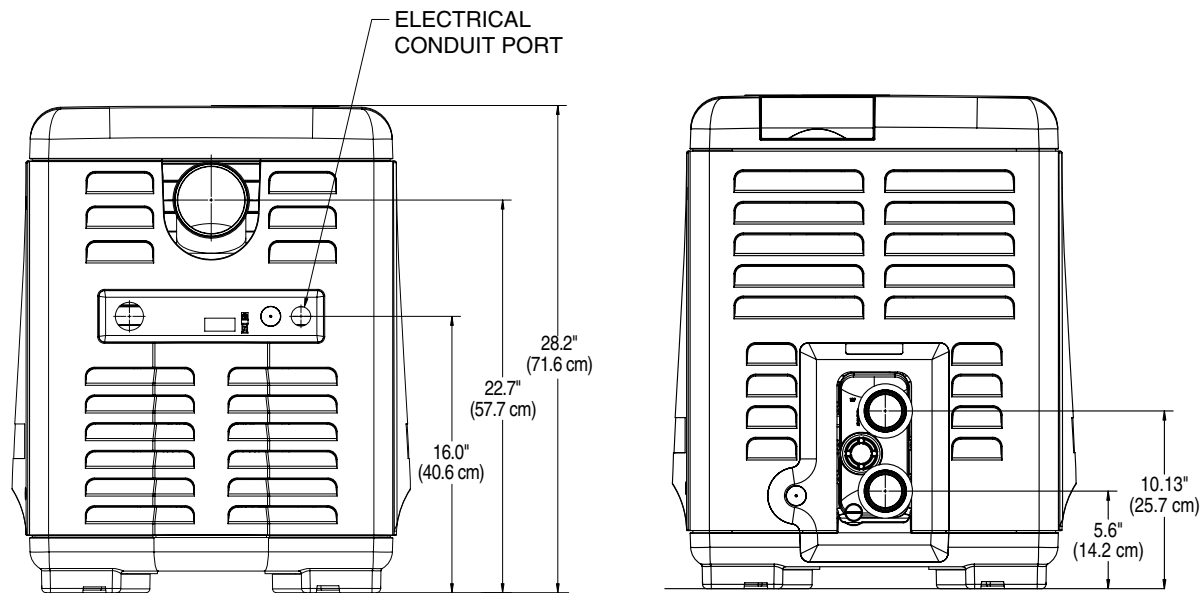
These installation instructions are designed for use by qualified personnel only, trained especially for installation of this type of heating equipment and related components. Some states require installation and repair by licensed personnel. If this applies in your state, be sure your contractor bears the appropriate license. See Figure 2 for Outdoor and Indoor Installations.

**DIMENSIONS IN INCHES**



**FRONT**

**TOP**



**EXHAUST SIDE**

**PLUMBING SIDE**

Figure 2.

## PLUMBING CONNECTIONS

The MasterTemp heater has the unique capability of direct schedule 40 PVC plumbing connections. A set of bulkhead fittings is included with the MasterTemp to insure conformity with Pentair’s recommended PVC plumbing procedure. Other plumbing connections can be used. See [Figure 3](#) for plumbing connections.

### CAUTION

Before operating the heater on a new installation, turn on the circulation pump and bleed all the air from the filter using the air relief valve on top of the filter. Water should flow freely through the heater. Do not operate the heater unless water in the pool/spa is at the proper level. If a manual by-pass is installed, temporarily close it to insure that all air is purged from the heater.

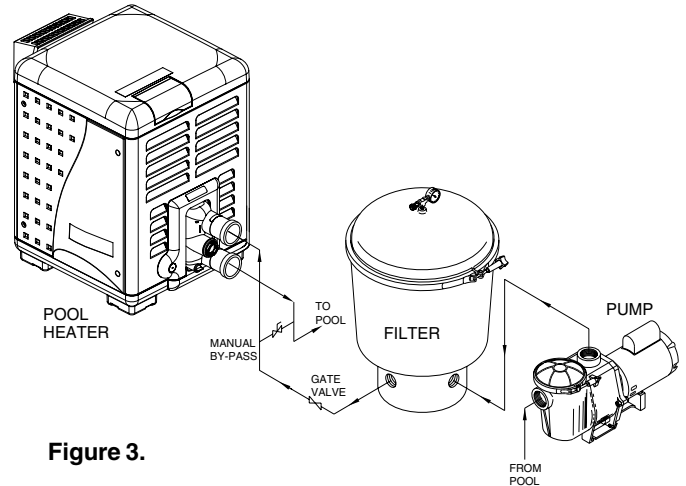


Figure 3.

## VALVES

When any equipment is located below the surface of the pool or spa, valves should be placed in the circulation piping system to isolate the equipment from the pool or spa. Check valves are recommended to prevent back-siphoning. Back-siphoning is most likely to occur when the pump stops, creating a pressure-suction differential. Do **NOT** sanitize the pool by putting chlorine tablets or sticks into the skimmer(s). When the pump is off, this will cause a high concentration of chlorine to enter the heater, which could cause corrosion damage to the heat exchanger.

### CAUTION

Exercise care when installing chemical feeders so as to not allow back siphoning of chemical into the heater, filters or pump. When chemical feeders are installed in the circulation of the piping system, make sure the feeder outlet line is down stream of the heater, and is equipped with a positive seal noncorrosive “Check Valve”, (P/N R172288), between the feeder and heater.

## MANUAL BY-PASS

Where the water flow rate exceeds the maximum 120 GPM, a manual bypass should be installed and adjusted. After installing the valve, adjust the valve to bring the flow rate within the acceptable range. Then remove the valve handle or lock it in place to avoid tampering. See [Figure 4](#).

Model	Min. (GPM) (LPM)	Max. (GPM) (LPM) *
175	20 (76)	120 (454)
200	20 (76)	120 (454)
250	25 (95)	120 (454)
300	30 (114)	120 (454)
400	40 (152)	120 (454)

\* Do not exceed the maximum recommended flow rate for the connecting piping.

Table 1.

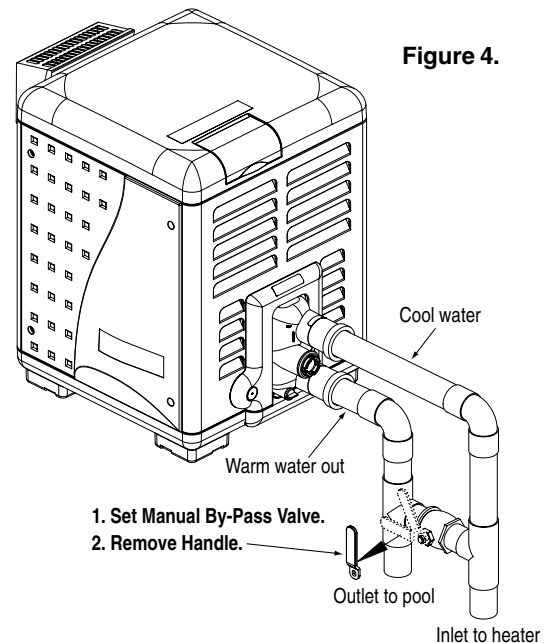


Figure 4.

**See page 45 for Pressure Relief Valve Installations.**



## WATER CONNECTIONS

The heater requires proper water flow and pressure for its operation. See [Figure 5](#) for the recommended installation. The filter pump discharges to the filter, the filter discharges to the heater, and the heater discharges directly to the pool or spa.

A manual bypass valve should be installed across the heater when the pump flow exceeds 120 GPM (454 LPM). See “WATER FLOW RATE” on [page 11- Table 1](#) for setting of the manual by-pass valve.

Make sure that the outlet plumbing from the heater contains no shut-off valves or other flow restrictions that could prevent flow through the heater (except for below pool as noted below, or winterizing valves where needed). To switch flow between the pool and spa, use a diverter valve. Do not use any valve that can shut off the flow. Do not use a shut-off valve to isolate the heater unless it is below the level of the pool or spa.

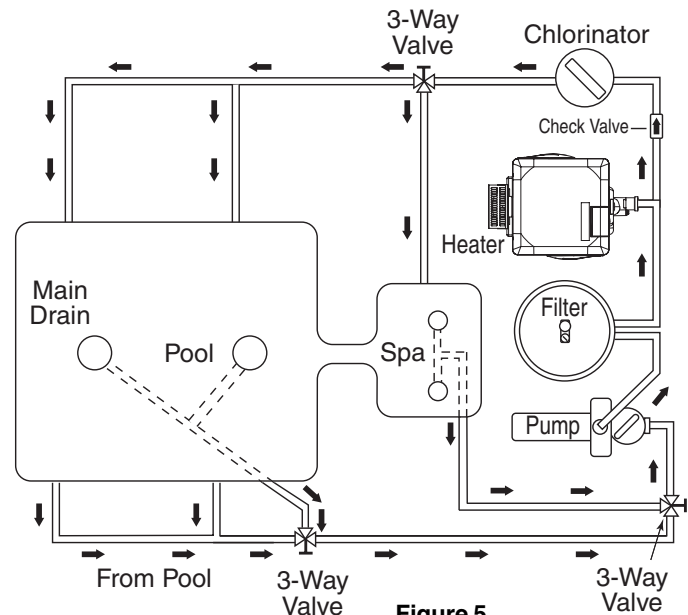


Figure 5.

Install the chemical feeder downstream of the heater. Install a chemical resistant one-way check valve between the heater and the chemical feeder to prevent back-siphoning through the heater when the pump is off.

**NOTICE:** If the heater is plumbed in backwards, it will cycle continuously. Make sure piping from filter is not reversed when installing heater.

Connect the heater directly to 2" PVC pipe, using the integral unions provided. Heat sinks are not required. The low thermal mass of the heater will prevent overheating of the piping connected to the pump even if the heater shuts down unexpectedly.

Occasionally a two-speed pump will not develop enough pressure on the low speed to operate the heater. In this case, run the pump at high speed only to operate the heater. If this does not solve the problem, do not try to run the heater. Instead, correct the installation.

Do not operate the heater while an automatic pool cleaner is also operating. If the circulation pump suction is plugged (for example by leaves), there may not be adequate flow to the heater. Do not rely on the pressure switch in this case.

## BELOW POOL INSTALLATION

If the heater is below water level, the pressure switch must be adjusted. This adjustment must be done by a qualified service technician.

See following **CAUTION** before installation.

### ⚠ CAUTION

#### BELOW OR ABOVE POOL INSTALLATION

The water pressure switch is set in the factory at 3.00 PSI ( $\pm 0.75$  PSI). This setting is for a heater installed at pool level. If the heater is to be installed more than 1' above or below, the water pressure switch must be adjusted by a qualified service technician. See [page 34, Figure 29](#).

#### FLOW SWITCH

If the heater is installed more than 5' above the pool or more than 4' below the pool level, you will be beyond the limits of the pressure switch and a flow switch must be installed. Locate and install the flow switch externally on the outlet piping from the heater, as close as possible to the heater. Connect the flow switch wires in place of the water pressure switch wires.

## **GAS CONNECTIONS**

### **GAS LINE INSTALLATIONS**

Before installing the gas line, be sure to check which gas the heater has been designed to burn. This is important because different types of gas require different gas pipe sizes. The rating plate on the heater will indicate which gas the heater is designed to burn. The tables, shown on [page 14](#), show which size pipe is required for the distance from the gas meter to the heater. The table is for natural gas at a specific gravity of .65 and propane at a specific gravity of 1.55.

When sizing gas lines, calculate three (3) additional feet of straight pipe for every elbow used. When installing the gas line, avoid getting dirt, grease or other foreign material in the pipe as this may cause damage to the gas valve, which may result in heater failure.

*The gas meter should be checked to make sure that it will supply enough gas to the heater and any other appliances that may be used on the same meter. The gas line from the meter will usually be of a larger size than the gas valve supplied with the heater. Therefore a reduction of the connecting gas pipe will be necessary. Make this reduction as close to the heater as possible.*

The heater requires a gas supply of not less than 4" (10.2cm) wc and not more than 14" (35.6cm) wc. Gas supply pressures outside of this range may result in improper burner operation. A minimum flowing or dynamic inlet pressure (while the heater is running) of 4" (10.2cm) wc is required to maintain input rating with no more than a 2" pressure drop between static and dynamic. The gas supply must be installed in accordance with the *National Fuel Gas Code, ANSIZ223.1*, or standard *CSA B149.1, Natural Gas and Propane Installation Codes*, as applicable and all applicable local codes. Install a manual shut-off valve and a sediment trap and union located outside the heater panels, see [Figure 6](#). Do not use a restrictive gas cock. The following minimum gas pipe sizes are recommended for natural gas supply piping, see [Table 2](#) on [page 14](#). For low pressure LP gas, pipe size may be reduced by 1/4", with a minimum pipe size of 1/2". Check for compliance with local codes.

The heater and any other gas appliances must be disconnected from the gas supply piping system during any pressure testing on that system, (greater than 1/2 PSI). The heater and its gas connection must be leak tested before placing the heater in operation. **Do not use flame to test the gas line.** Use soapy water or another nonflammable method.

#### **NOTE**

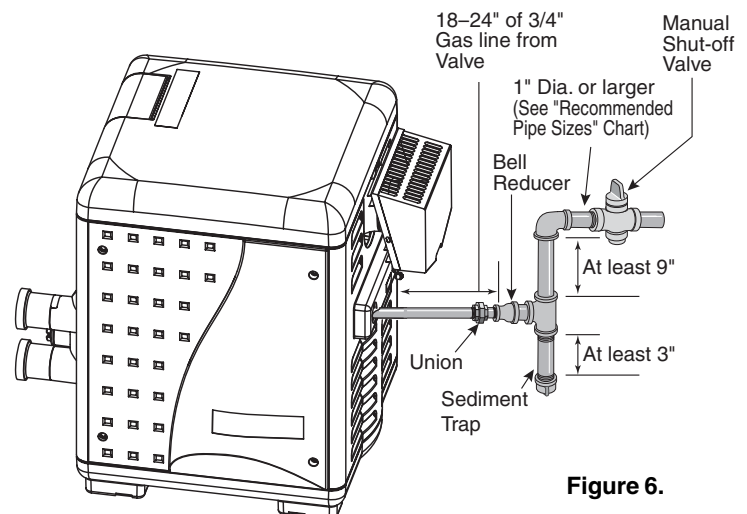
A manual main shut-off valve must be installed externally to the heater.

### **⚠ WARNING**

**DO NOT INSTALL THE GAS LINE UNION INSIDE THE HEATER CABINET. THIS WILL VOID YOUR WARRANTY.**

### **SEDIMENT TRAPS**

Install a sediment trap and union located outside the heater panels in accordance with National code requirements. Do not use a restrictive gas cock. The sediment trap shall be either a tee fitting with a capped nipple in the bottom outlet which can be removed for cleaning, as illustrated in [Figure 6](#), or an other device recognized as an effective sediment trap. All gas piping should be tested after installation in accordance with local codes.



**Figure 6.**

# GAS PIPE SIZING

Table 2.

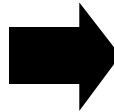
PIPE SIZING FOR GAS LINE CONNECTIONS														
MAXIMUM EQUIVALENT PIPE LENGTH (Ft.)														
Natural Gas at 1000 B.T.U. per Cubic Foot														
Propane Gas at 2500 B.T.U. per Cubic Foot														
MODEL	1/2"		3/4"		1"		1-1/4"		1-1/2"		2"		2-1/2"	
	NAT	PRO	NAT	PRO	NAT	PRO	NAT	PRO	NAT	PRO	NAT	PRO	NAT	PRO
175	-	20'	30'	80'	125'	250'	450'	600'	-	-	-	-	-	-
200	-	20'	30'	80'	125'	250'	450'	600'	-	-	-	-	-	-
250	-	10'	20'	50'	70'	150'	250'	500'	600'	-	-	-	-	-
300	-	-	10'	30'	50'	100'	200'	350'	400'	600'	-	-	-	-
400	-	-	-	10'	20'	60'	100'	150'	200'	450'	400'	-	-	-

## “RESIDENTIAL” PROPANE GAS 2 STAGE REGULATION

In many Propane gas line installations, the gas supplier and/or installer will utilize a two stage regulation process where by at the supply tank they will install the first stage gas regulator, which would be at a higher pressure, usually 10 psi. This higher pressure allows for a much longer distance and in a much smaller pipe size. Then within a short distance of the pool heater, usually around 24 inches, they will install a second regulator, which is the second stage, and this would be set at the required inlet pressure of the heater.

See “Gas Pressure Requirement Charts”

Stage One "High Pressure" Gas Pipe Sizing			
10 PSI @ 2500 B.T.U. Per CU. FT.			
MAXIMUM EQUIVALENT PIPE LENGTH			
Model	0 to 50 Ft.	50 to 100 Ft.	100 to 150 Ft.
175 through 400	1/2 in.	1/2 in.	1/2 in.



Stage Two "Low Pressure" Gas Pipe Sizing		
Stage 2 set at 14 in. W.C.		
MAXIMUM EQUIVALENT PIPE LENGTH		
Model	0 to 10 Ft.	10 to 20 Ft.
175 through 400	3/4 in.	3/4 in.

Table 3.

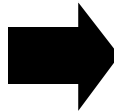
Table 4.

## “RESIDENTIAL” NATURAL GAS 2 STAGE REGULATION

In many Natural gas line installations, the gas supplier and/or installer may utilize a two stage regulation process where by at the streets main gas supply they will install the first stage gas regulator, which would be at a higher pressure. This higher pressure is usually set at 2 psi or 5 psi and can be for long distances and in a much smaller pipe size. Then within a short distance of the pool heater, generally around 24 inches, they will install a second regulator, which is the second stage. This second stage regulator would be set at the minimum operating pressure for the heater. For “Natural Gas Pentair Pool Heaters” the minimum is 7 inches W.C.

See “Gas Pressure Requirement Charts”

Stage One "High Pressure" Gas Pipe Sizing			
2 PSI @ 1000 B.T.U. Per CU. FT.			
MAXIMUM EQUIVALENT PIPE LENGTH			
Model	0 to 50 Ft.	50 to 100 Ft.	100 to 150 Ft.
175 through 300	1/2 in.	1/2 in.	1/2 in.
400	3/4 in.	3/4 in.	3/4 in.
5 PSI @ 1000 B.T.U. Per CU. FT.			
175 through 400	1/2 in.	1/2 in.	1/2 in.



Stage Two "Low Pressure" Gas Pipe Sizing		
Stage 2 set at 7 in. W.C.		
MAXIMUM EQUIVALENT PIPE LENGTH		
Model	0 to 10 Ft.	10 to 20 Ft.
175 through 300	3/4 in.	3/4 in.
400	3/4 in.	1 in.
Stage 2 set at 7 in. W.C.		
175 through 400	3/4 in.	1 in.

Table 5.

Table 6.

## TESTING GAS PRESSURE

Before operating the heater, the heater and its gas connections must be leak tested. **Do NOT use an open flame to test for leaks.** Test all gas connections for leaks with soapy water.

The heater and its individual shut-off valve must be disconnected from the gas supply piping system during any pressure testing of that system at test pressures in excess of 1/2 psig (3.5 kPa).

The heater must be isolated from the gas supply system by closing its individual manual shut-off valve during any pressure testing of the gas supply at test pressures equal to or less than 1/2 psig (3.5 kPa).

### CHECKING THE GAS PRESSURE THROUGH THE COMBINATION GAS CONTROL VALVE

#### ⚠ WARNING

**Risk of fire and explosion.** Improper installation, incorrect adjustment, alteration, service, or maintenance of the Combination Gas Control Valve can lead to fire or explosion, causing loss of life, personal injury, and/or property damage. If it is necessary to adjust the gas valve, this must be done by only by a qualified service agency. **These instructions are for the use of qualified service technicians only!**

This appliance is equipped with an unconventional gas control valve that is factory set with a manifold pressure of  $-0.2''$  ( $-0.5\text{cm}$ ) wc. Installation or service must be performed by a qualified installer, service agency, or the gas supplier. If this control valve is replaced, it must be replaced with an identical control.

The combination gas valve incorporates dual shut-off valves and a negative-pressure regulator. For proper operation, the regulated pressure at the outlet manifold of the valve must be  $-0.2''$  ( $-0.5\text{cm}$ ) wc below the reference pressure at the blower mixer inlet, and the gas valve ‘VENT’ tap must be connected to the end cap air orifice as shown in Figure 7.

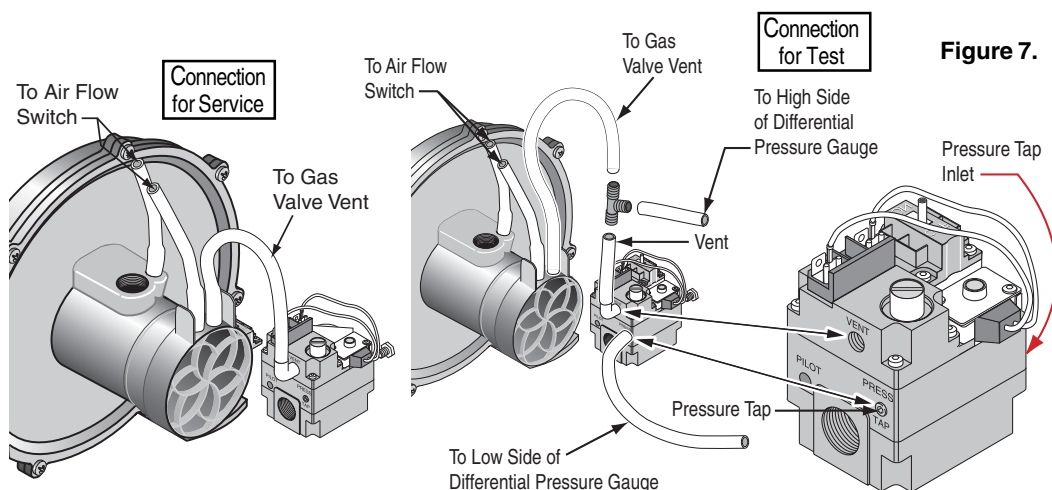


Figure 7.

**Do not attempt to adjust the gas input by adjusting the regulator setting. The correct gas regulator setting is required to maintain proper combustion and must NOT be altered.**

#### ⚠ CAUTION

The use of Flexible Connectors (FLEX) is NOT recommended unless they are properly sized according to the supplier recommendations for the heater rating.

### GAS PRESSURE REQUIREMENTS

Gas Pressure	Model	Natural	Propane
		Inches W.C.	
Maximum Inlet	MT	14	14
Minimum Inlet	MT	4	4
Manifold	MT	$-0.2 \pm 0.1$	$-0.2 \pm 0.1$

**NOTE:** All readings must be taken while heater is operating. Any adjustments or readings made while heater is off will result in performance problems.

Table 7.

## OUTDOOR INSTALLATION (U.S. and Canada)

For heaters located outdoors, using the built-in stackless venting system.

### ⚠ WARNING

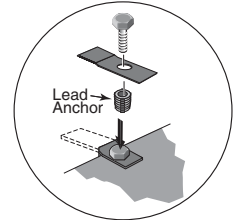
**Risk of explosion if a unit burning propane gas is installed in a pit or other low spot.** Propane is heavier than air. Do not install the heater using propane in pits or other locations where gas might collect. Consult your local building code officials to determine installation requirements and specific installation restrictions of the heater relative to propane storage tanks and filling equipment. Installation must meet the requirements for the Standard for the Storage and Handling of Liquid Petroleum Gases, ANSI/NFPA 58 (latest edition) in the U.S., or CAN/CSA B149.2 (latest edition) in Canada. Consult local codes and fire protection authorities about specific installation restrictions.

Locate the heater on a level surface in an open area that is protected from drainage or run-off. Install the heater in an area where leaves or other debris will not collect on or around the heater.

To avoid damage to the electronic components in the heater, take care to prevent prolonged exposure to driving sources of water (such as lawn sprinklers, heavy roof runoff, hoses, etc.). Avoid operation in persistent, extreme, moist or salty environments.

In extreme weather, shut down the heater and disconnect the power to it until the weather has moderated. In areas subject to hurricanes or very high winds, purchase the Bolt Down Bracket Kit, P/N 460738.

For Heater mounting bolts and clamps, purchase separately Bolt Down Bracket Kit, Part No. 460738.



## HEATER CLEARANCES – OUTDOOR

### IMPORTANT!

- In an outdoor installation it is important to ensure water is diverted from overhanging eaves with a proper gutter/drainage system. The heater must be set on a level foundation for proper drainage.
- This unit shall not be operated outdoors at temperatures below -20° F.

If the heater is located under a roof or deck overhang, there must be at least three feet (1M) of clearance between the bottom of the overhang and the top of the heater exhaust vent, see [Figure 8](#). If the heater is under a roof or deck overhang, the space around the heater must be open on three sides.

For minimum exhaust vent clearances for building openings, see [Figure 9](#), [page 17](#).

In Canada, the heater must be installed with the top of the vent at least 10 feet (3M) below, or to either side of, any opening into a building.

Orient the heater for convenient access to the water connections and the gas and electrical connections.

Install the heater at least 18 in. (45 cm) from any property line.

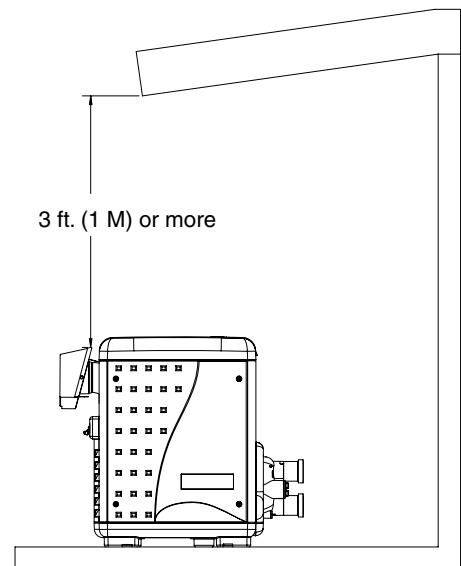
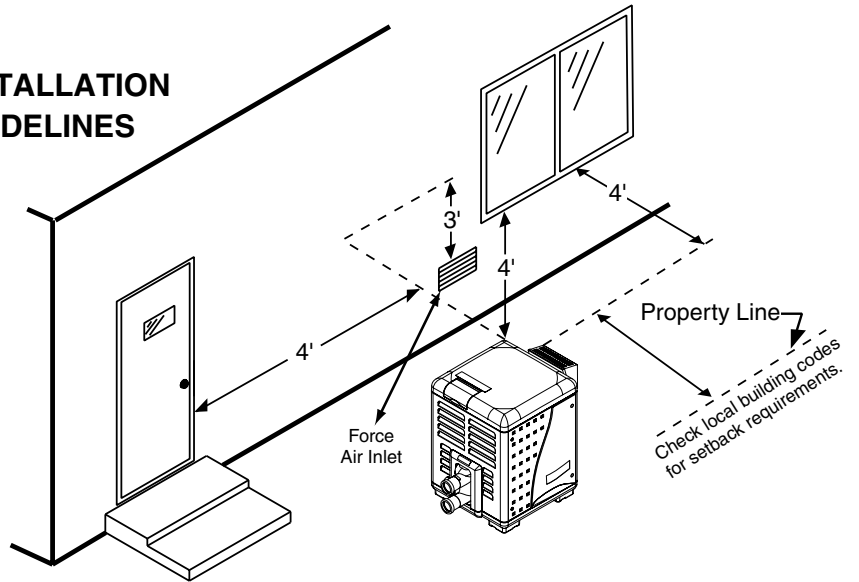
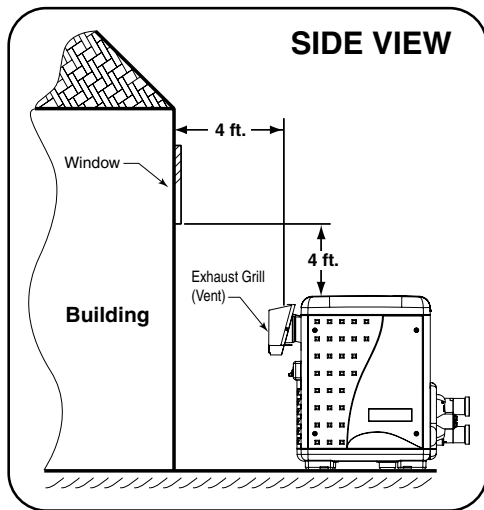


Figure 8.

### ⚠ CAUTION

If installing the heater next to or near an air conditioning unit or a heat pump, allow a minimum of 36 in. between the air conditioning unit and the heater.

**OUTDOOR INSTALLATION  
VENTING GUIDELINES**



**Vent Termination:**

- Must be at least 3 ft. above any forced air inlet located within a 10 ft. radius.
- Must be located 4 feet away from the building wall openings, and at the following distances away from any door, window, or gravity air inlet:
  - ➔ 4 ft. below,
  - ➔ 4 ft. horizontally

**Figure 9.**

## INDOOR VENTING — General Requirements

*The heater may be installed as a Category I or Category III appliance.*

### Vented Appliance (Category I) – Vertical only

An appliance that operates with a *nonpositive* vent static pressure and with a vent gas temperature that avoids excessive condensate production in the vent, see pages 20-22.

### Vented Appliance (Category III) – Vertical or Horizontal

An appliance that operates with a *positive* vent static pressure and with a vent gas temperature that avoids excessive condensate production in the vent, see pages 23-25.

If you are considering connecting this heater to a pre-existing vent system, make sure that the vent system meets the appropriate venting requirements as given in this manual on pages 18-27. If not, replace the vent system. **DO NOT** use a draft hood with this heater.

The vent pipe must be the same size or larger. The MasterTemp heaters are capable of a 270-degree discharge rotation and operate with a positive vent static pressure and with a vent gas temperature less than 400° F. The total length of the horizontal run must not exceed the length that is listed in table 11 on page 23.

## HEATER CLEARANCES — General Requirements

### **INDOOR INSTALLATION (U.S.) OR OUTDOOR SHELTER (CANADA)**

The following clearances must be maintained from combustible surfaces:

**TOP** ..... 6 in. (15 cm)

**EXHAUST SIDE** ..... 6 in. (15 cm)

**HEADER SIDE** ..... 6 in. (15 cm)

**DOOR PANELS†** ..... 6 in. (15 cm)

**Note** (†) For service access it is advisable to allow for sufficient clearance on at least one door panel. The heater is design certified by CSA International for installation on combustible flooring. For installation on carpeting, the heater must be mounted on a metal or wood panel that extends at least three inches (10cm) beyond the base of the heater. If the heater is installed in a closet or alcove, the entire floor shall be covered by the panel. On an outdoor shelter installation, the exhaust discharges into a vent pipe. Orient the heater so that the vent pipe does not interfere with adjustment of the operating controls. The control panel located on the top panel can be rotated to any of the three sides of the heater for easy access. However, the control panel must not be located on the side where the vent is located.

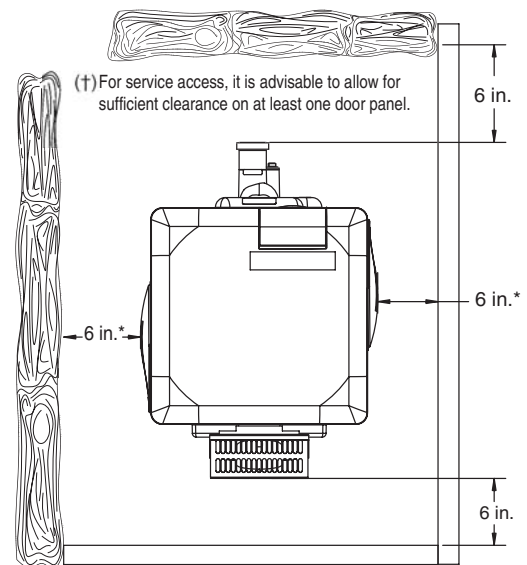


Figure 10.

### **OUTSIDE VENT COVER REMOVAL**

The heater is supplied from the factory with a built-in stackless outside vent for outdoor installation. Remove the outside vent cover for outdoor shelter installation.



## **COMBUSTION AIR SUPPLY**

For indoor installation, the heater location must provide sufficient air supply for proper combustion and ventilation of the surrounding area.

The minimum requirements for the air supply specify that the room in which a heater is installed should be provided with two permanent air supply openings; one within 12 inches (30cm) of the ceiling, the other within 12 inches (30cm) of the floor for combustion air, in accordance with the latest edition of ANSI Z223.1, or the National Fuel Gas code, the CSA B149.1, Natural Gas and Propane Installation Codes, as applicable, and any local codes that may apply.. These openings shall directly, or through duct, connect to outdoor air.

*Pentair Water Pool and Spa, Inc. does not recommend indoor installations that do not provide combustion air from outside the building.*

### **Air Supply Requirements Guide** **for MasterTemp Heaters**

<b>Minimum Net Free Open Area for Each Opening*</b> (Square Inches/Centimeters)				
<b>Model</b>	<b>All Air From Inside Building</b>		<b>All Air From Outside Building</b>	
	<b>Combustion</b>	<b>Vent</b>	<b>Combustion</b>	<b>Vent</b>
175	200 sq. in. 1290 sq. cm.	200 sq. in. 1290 sq. cm.	50 sq. in. 323 sq. cm.	50 sq. in. 323 sq. cm.
200	200 sq. in. 1290 sq. cm.	200 sq. in. 1290 sq. cm.	50 sq. in. 323 sq. cm.	50 sq. in. 323 sq. cm.
250	250 sq. in. 1613 sq. cm.	250 sq. in. 1613 sq. cm.	63 sq. in. 406 sq. cm.	63 sq. in. 406 sq. cm.
300	300 sq. in. 1935 sq. cm.	300 sq. in. 1935 sq. cm.	75 sq. in. 484 sq. cm.	75 sq. in. 484 sq. cm.
400	400 sq. in. 2580 sq. cm.	400 sq. in. 2580 sq. cm.	100 sq. in. 645 sq. cm.	100 sq. in. 645 sq. cm.

\* Area indicated is for one of two openings; one at floor level and one at the ceiling.

Table 8.

### **⚠ CAUTION**

Chemicals should not be stored near the heater installation. Combustion air can be contaminated by corrosive chemical fumes which can void the warranty.

### ***Corrosive Vapors and Possible Causes***

<b>Area</b>	<b>Likely Contaminants</b>
Chlorinated swimming pools and spas	Pool or spa cleaning chemicals. Acids, such as hydrochloric or muriatic acid.
New construction and remodeling areas	Glues and cements, construction adhesives, paints, varnishes, and paint and varnish strippers. Waxes and cleaners containing calcium or sodium chloride.
Beauty parlors	Permanent wave solutions, bleaches, aerosol cans containing chlorocarbons or fluorocarbons.
Refrigeration plants or various industrial finishing and processing plants	Refrigerants, acids, glues and cements, construction adhesives.
Dry cleaning and laundry areas	Bleaches, detergents, or laundry soaps containing chlorine. Waxes and cleaners containing chlorine, calcium or sodium chloride.

Table 9.



## VENT INSTALLATION – INDOOR INSTALLATION (U.S.) OR OUTDOOR SHELTER (CANADA)

### (Category I)

Always vent the heater to the outdoors, see Note\*.

- Vent it vertically using Type “B” double wall vent connector pipe.

Locate the heater so as to minimize the length of horizontal venting and the number of vent elbows required. Horizontal vent runs must slope up 1/4" per foot (2cm/M) from the heater to allow exhaust condensate to drain and it is recommended to have a condensate drain as described in the venting installation instructions.

### VERTICAL VENTING - NEGATIVE PRESSURE

(See Figures 11, 12 and 13)

Vent the heater vertically in a negative pressure (positive draft) system in accordance with the National Fuel Gas Code, ANSI Z223.1/NFPA 54 and/or CSA B149.1, Natural Gas and Propane Installation Codes, and local codes. Type “B” Double-wall vent connector is recommended; however single-wall pipe is allowed by the National Fuel Gas Code in some circumstances. Consult your local code official for detailed information. **Do not** use a draft hood with this heater.

To connect a negative pressure metal gas vent to the heater, order the appropriate Metal Flue Collar from the chart below:

Metal Flue Collar	Part No.
4 x 6"	77707-0076
4 x 8"	77707-0077

**NOTE \*:** Vent must be at least eight (8) feet away from nearest vertical surface. Vents extending five (5) feet or more above the roof must be braced or guyed. Consult your local code officials for detailed information.

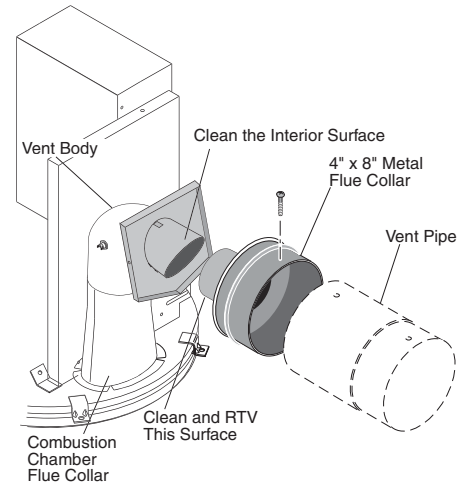


Figure 11.

1. See Table 10, to determine allowable vent sizes for your heater.

**NOTICE:** Table 10 is for installations in which the total lateral vent length (that is, the horizontal distance from the flue collar to the main vertical portion of the vent) is less than 1/2 the total vent height (the vertical distance from the flue collar to the vent termination) and which have three or less elbows in the system. For venting systems which do not meet these conditions, consult the National Fuel Gas Code, ANSI Z223.1 (U.S.), or the standards CSA B149.1 and B149.2 (Canada).

Read “VERTICAL VENTING – NEGATIVE PRESSURE” before using this table.

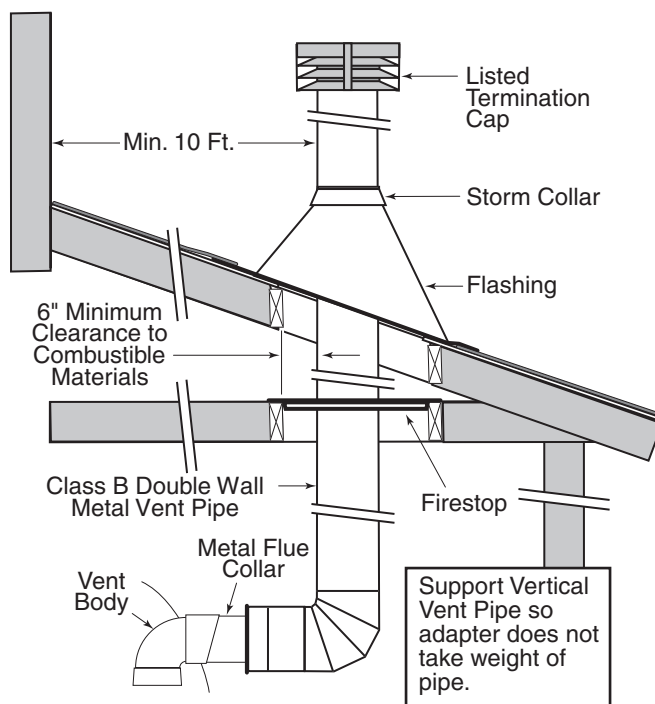
Table 10. – Permitted Minimum and Maximum Vent Heights By Size and Heater Model

Type "B" Double-Wall Vent with Type "B" Double-Wall Connector in Feet (Meters)					
Vent Size	Model 175 Height min./max.	Model 200 Height min./max.	Model 250 Height min./max.	Model 300 Height min./max.	Model 400 Height min./max.
6 in.	6 ft. (1.8)/100 ft. (30.5)	6 ft. (1.8)/100 ft. (30.5)	18 ft. (5.5)/100 ft. (30.5)	30 ft. (9)/100 ft. (30.5)	Not Rec.
7 in.	6 ft. (1.8)/100 ft. (30.5)	6 ft. (1.8)/100 ft. (30.5)	8 ft. (2.4)/100 ft. (30.5)	10 ft. (3)/100 ft. (30.5)	15 ft. (4.6)/100 ft. (30.5)
8 in.	6 ft. (1.8)/100 ft. (30.5)	6 ft. (1.8)/100 ft. (30.5)	6 ft. (1.8)/100 ft. (30.5)	6 ft. (1.8)/100 ft. (30.5)	8 ft. (2.4)/100 ft. (30.5)
9 and 10 in.	6 ft. (1.8)/50 ft. (15.3)	6 ft. (1.8)/50 ft. (15.3)	6 ft. (1.8)/50 ft. (15.3)	6 ft. (1.8)/100 ft. (30.5)	6 ft. (1.8)/100 ft. (30.5)
Type "B" Double-Wall Vent with Single-Wall Connector in Feet (Meters)					
Vent Size	Model 175 Height min./max.	Model 200 Height min./max.	Model 250 Height min./max.	Model 300 Height min./max.	Model 400 Height min./max.
6 in.	6 ft. (1.8)/15 ft. (4.6)	6 ft. (1.8)/15 ft. (4.6)	6 ft. (1.8)/15 ft. (4.6)	Not Rec.	Not Rec.
7 in.	6 ft. (1.8)/8 ft. (2.4)	6 ft. (1.8)/8 ft. (2.4)	6 ft. (1.8)/8 ft. (2.4)	10 ft. (3)/20 ft. (6)	15 ft. (4.6)/50 ft. (15.3)
8 in.	Not Rec.	Not Rec.	Not Rec.	6 ft. (1.8)/20 ft. (6)	8 ft. (2.4)/20 ft. (6)
9 in.	Not Rec.	Not Rec.	Not Rec.	Not Rec.	6 ft. (1.8)/6 ft. (1.8)
10 in.	Not Rec.	Not Rec.	Not Rec.	Not Rec.	Not Rec.

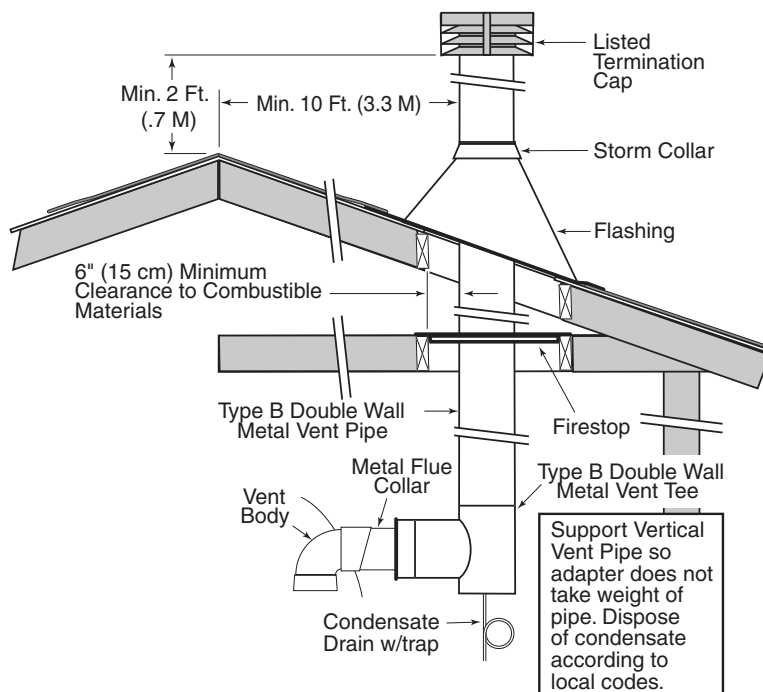
2. Install the metal Flue Collar in the Vent Body of the heater (located under the outside vent cover). Fasten the metal Flue Collar to the Vent Body with two #10 sheet metal screws. Use high temperature silicone RTV to seal the Flue Collar to the Vent Body. Before connecting the metal Flue Collar to the Vent Body, wet a clean cloth or paper towel with isopropyl alcohol (rubbing alcohol) and vigorously wipe the socket of the Vent Body. Immediately wipe the cleaned surfaces dry with a clean cloth or paper towel. Repeat for the exterior of the 4" end of the metal Flue Collar. Attach the metal Flue Collar to the Vent Body using the RTV supplied with the kit, following the vent manufacturer's instructions (included with kit).
3. Attach the vent pipe to the metal Flue Collar with sheet-metal screws.

### ⚠ WARNING

**Risk of fire or asphyxiation if vent is not assembled according to manufacturer's instructions or if vent parts from different manufacturers are mixed.** Vent parts from different manufacturers ARE NOT interchangeable. Mixing parts from more than one manufacturer may cause leaks or damage to vent. When assembling a vent, pick one manufacturer and be sure that all vent parts come from that manufacturer and are specified by the manufacturer for your system. Follow manufacturer's instructions, local code requirements, National Fuel Gas Code requirements (U.S.) or standards CSA B149.1 and B149.2 (Canada) carefully during assembly and installation.



**Figure 12. – Typical Metal Vent Pipe Installation - U.S. (Vertical – Negative Pressure)**



**Figure 13. – Typical Metal Vent Pipe Installation - Canada (Vertical – Negative Pressure)**

4. Install vent pipe so that it can expand and contract freely as the temperature changes. Support the vent pipe according to applicable codes and the vent manufacturer's instructions. Pipe support must allow the vent pipe free movement out and back, from side to side, or up and down as necessary, without putting a strain on the heater or vent body. Slope horizontal pipe runs up from the heater at least 1/4" per foot (2cm per meter). Install Listed condensate drains at low points where condensate might collect. Plumb condensate drains to a drain through hard piping or high temperature tubing such as silicone rubber or EPDM rubber – do not use vinyl or other low temperature tubing. Follow drain manufacturer's installation instructions.
5. Use Listed fire stop for floor and ceiling penetrations. Use Listed thimble for wall penetrations. Use a Listed roof flashing, roof jack, or roof thimble for all roof penetrations. Do not fill the space around the vent (that is, the clear air space in the thimble or fire stop) with insulation. The roof opening must be located so that the vent is vertical.
6. **Do not run the heater vent into a common vent with any other appliance.**

### **WARNING**

**Fire Hazard. Do not vent the heater directly into a masonry chimney.** Installation into a masonry chimney must use a chimney liner and must meet the National Fuel Gas Code, ANSI Z223.1/NFPA 54 and/or CSA B149.1, Natural Gas and Propane Installation Codes requirements and all local code requirements.

### **WARNING**

**Risk of fire, carbon monoxide poisoning, or asphyxiation.** It is recommended to use a CO Monitor and Fire Alarm in rooms that contain gas fired appliances.

**HORIZONTAL OR VERTICAL VENTING - POSITIVE PRESSURE** (See Figures 14, 15, and 16)**(Category III)**

Vent the heater either horizontally or vertically using an optional vent adapter of the 4-inch special gas approved Category III vent pipes. Install the vent pipe in accordance with local codes and the provisions of the National Fuel Gas Code, ANSI Z223.1 (U.S.), or the standards CSA B149.1, Natural Gas and Propane Installation Codes (Canada), and the vent manufacturer's instructions. Do not use a draft hood with this heater. Install the vent according to the vent manufacturer's detailed instructions.

Maintain clearance between the vent pipe and combustible surfaces according to the vent manufacturer's instructions and code requirements. Do not place any insulating materials around the vent or inside the required clear air space surrounding the vent. See **Table 11** for maximum permissible vent lengths.

**NOTE**

**The allowable vent runs for each vent pipe diameter are different and can not be exceeded.**

Each 90-degree elbow reduces the maximum horizontal vent run by 12 feet and each 45-degree elbow in the vent run reduces the maximum vent run by 6 feet. See the table below for the maximum vent lengths using 90-degree and 45-degree elbows.

The MasterTemp is a "Category III" appliance and is a forced-draft pool and spa heater which uses positive pressure to push flue gases through the vent pipe to the outside. **Flue gases under positive pressure may escape into the dwelling with any cracks or loose joints in the vent pipe, or improper vent installation.** The vent pipe must be of a sealed-seam construction, such as those listed for use with "Category III Appliances", and for operating temperatures less than 400° F. Vent pipe construction will be of UL 1738 approved non-corrosive material, such as stainless steel, aluminum, galvanized. A condensate trap may be needed. The use of "Approved" thimbles, roof jacks and/or side vent terminals are required; and the proper clearances to combustible materials must be maintained in accordance with type of vent pipe employed—in the absence of a clearance recommendation by the vent pipe manufacturer, the requirements of the Uniform Mechanical Code should be met. **The ventilation air requirements for the MasterTemp heater can be found on page 19.** It is recommended that vent runs over 18 feet may need to be insulated to reduce condensation related problems and/or the use of a condensate trap in the vent run close to the heater may be necessary in certain installations such as cold climates. Horizontal vents 3' (1M) or less in length do not require a condensate tee. The MasterTemp heater is suitable for through-the-wall venting.

4 in. Special Gas Vent (Vertical or Horizontal)*	
No. of 90° Elbows	Maximum Length in Feet (M)
0	70 ft. (21.3M)
1	58 ft. (17.7M)
2	46 ft. (14.0M)
3	34 ft. (10.4M)
4	22 ft. (6.7M)

\*Minimum vent length is one foot (.34M), or in accordance with vent manufacturer's instruction, and local and national codes. Horizontal vents 3'(1M) or less in length do not require a condensate tee, but must slope down toward the outlet at 1/4" to the foot (2cm/M) to allow condensate to drain.

Table 11.

**⚠ CAUTION**

Do **NOT** combine exhaust vent pipes to a common exhaust vent in multiple unit installations. Run separate vent pipes.

**CONNECTING SPECIAL GAS VENT TO THE HEATER**

Metallic:

- Order an optional appliance adapter kit, (*Pentair offers optional appliance adapter kits, call our Customer Service dept.*):
  - Part No. 77707-0086 for Saf-T Vent® or Saf-T Vent® CI.
  - Part No. 77707-0087 for Z-Vent.
- Remove the outside vent cover.
- Install the Appliance Adapter in the Vent Body of the heater (located under the outside Vent Cover). Before connecting the Appliance Adapter to the Vent Body, wet a clean cloth or paper towel with isopropyl alcohol (rubbing alcohol) and vigorously wipe the socket of the Vent Body. Immediately wipe the cleaned surfaces dry with a clean cloth or paper towel. Repeat for the exterior of the heater end of the Appliance Adapter. Attach the appliance adapter to the vent body using the adhesive specified by the vent manufacturer, following the vent manufacturer's instructions.

**⚠ WARNING**

**Risk of carbon monoxide poisoning if adapter is improperly attached.** Mechanical connections (such as screws) can cause cracking and leaks in the adapter. Do **NOT** drill holes or use screws to connect the appliance adapter to the heater vent body. Attach with manufacturer's specified adhesive.

**⚠ WARNING**

**Risk of fire or asphyxiation if vent is not assembled according to manufacturer's instructions or if vent parts from different manufacturers are mixed.** Vent parts from different manufacturers ARE NOT interchangeable. Mixing parts from more than one manufacturer may cause leaks or damage to vent. When installing a vent, pick one manufacturer and be sure that all vent parts come from that manufacturer and are specified by the manufacturer for your system. Follow manufacturer's instructions and local and National Fuel Gas Code (U.S.) or CSA B149.1, Natural Gas and Propane Installation Codes (Canada) requirements carefully during assembly and installation.

4. Install vent pipe so that it can expand and contract freely as the temperature changes. Support the vent pipe according to applicable codes and vent manufacturer's instructions. Pipe support must allow the vent pipe free movement out and back, from side to side, or up and down as necessary, without putting a strain on the heater or vent body. It is recommended to slope the horizontal pipe runs up from the heater at least 1/4" per foot (2cm/M). Install "Approved" condensate drains at low points where condensate might collect. Plumb condensate drains to a drain through hard piping or high-temperature tubing such as silicone rubber or EPDM rubber – do not use vinyl or other low temperature tubing. Follow drain manufacturer's installation instructions.
5. Use an "Approved" firestop for floor and ceiling penetrations. Use an "Approved" thimble for wall penetrations. Use an "Approved" roof flashing, roof jack, or roof thimble for all roof penetrations. Do not fill the space around the vent (that is, the clear air space in the thimble or firestop) with insulation. The roof opening must be located so that the vent is vertical.
6. **Vent Termination – Vertical** (See Figures 14 and 15), for height of vent termination above the roof. Use an "Approved" vent terminal specified by local and national codes and your manufacturer's instructions. A roof termination must be vertical. In Canada, the Vent Cap location shall have a minimum clearance of 4 feet (1.2M) horizontally from electric meters, gas meters, regulators, and relief openings.
7. Make sure entire installation is sealed according to approved standard.

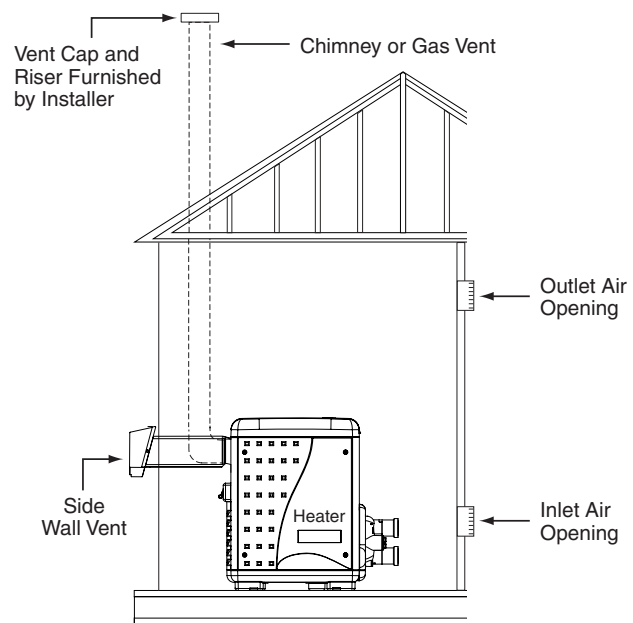


Figure 14.

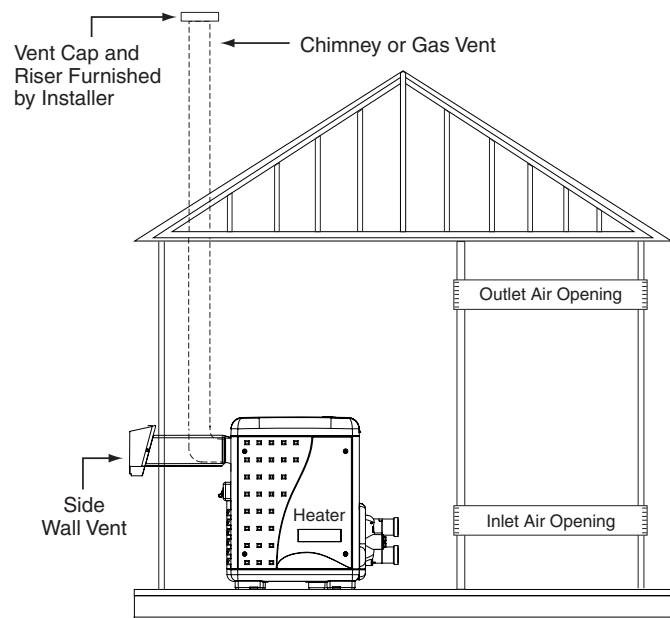


Figure 15.

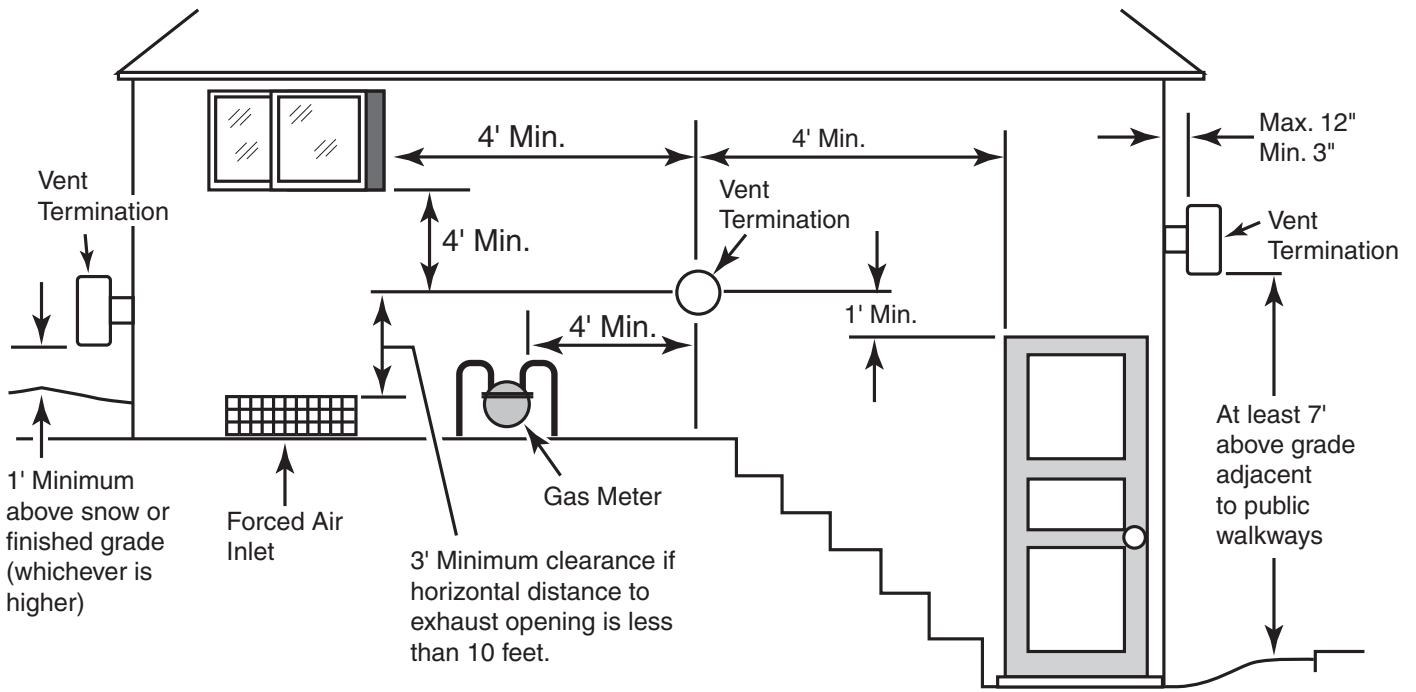


Figure 16.

**8. Vent Termination – Horizontal**

The terminal must be located (U.S. – See Figure 16):

- at least 3" and at most 12" out from the wall (see Figure 17), following the vent manufacturer's instructions
- at least 12" above finished grade or the normally expected snow accumulation level, whichever is higher
- at least 4 feet below or horizontally from, or 1 foot above, any doors or windows or gravity air inlet to a building
- at least 3 feet above any forced air inlet located within 10 feet
- at least 4 feet horizontally from electric meters, gas meters, regulators and relief equipment
- at least 7 feet above grade adjacent to walkways or similar traffic areas

The terminal must be located (Canada – See Figure 16):

- at least 10 feet (3.3M) from any opening into a building
- at least 12" (.3M) above finished grade or the normally expected snow accumulation level, whichever is higher
- at least 4 feet (1.2M) horizontally from electric meters, gas meters, regulators and relief equipment
- at least 7 feet (2.1M) above grade adjacent to walkways or similar traffic areas

Allow at least three feet (1M) vertical clearance over vent termination when terminating under an overhang or deck.

Avoid corners or alcoves where snow or wind could have an effect. Exhaust may affect shrubbery and some building materials. Keep shrubbery away from termination. To prevent staining or deterioration, sealing or shielding exposed surfaces may be required.

**⚠ WARNING**

**Fire Hazard.** Do not run the heater vent into a common vent with any other appliance. Do not run the Special Gas Vent into, through, or within any active vent such as a factory built or masonry chimney.

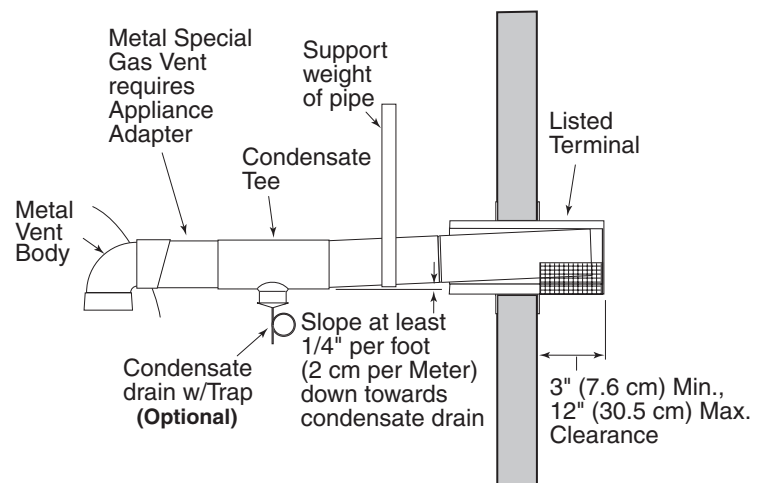


Figure 17.



## OUTDOOR SHELTER INSTALLATION

In Canada, this pool heater can only be installed outdoors or in an enclosure that is not normally occupied and has no direct openings into occupied areas.

### ⚠ WARNING

**Risk of asphyxiation if exhaust is not correctly vented.** Follow venting instructions exactly when installing heater. Do not use a draft hood with this heater, as the exhaust is under pressure from the burner blower and a draft hood will allow exhaust fumes to blow into the room housing the heater. Exhaust venting to the outdoors is required for all outdoor shelter installations.

### ⚠ WARNING

**Risk of explosion if a unit burning propane gas is installed in a pit or other low spot.** Propane is heavier than air. Do not install the heater using propane in pits or other locations where gas might collect. Consult your local building code officials to determine installation requirements and specific installation restrictions of the heater relative to propane storage tanks and filling equipment. Installation must meet the requirements for the Standard for the Storage and Handling of Liquefied Petroleum Gases, CAN/CSA B149.2 (latest edition) or ANSI/NFPA 58 (latest edition). Consult local codes and fire protection authorities about specific installation restrictions.

The heater is design certified by CSA International for installation on combustible flooring; in alcoves; basements; in closet or utility rooms (in the U.S.).

## GARAGE OR UTILITY ROOM INSTALLATION

*In Canada, the heater must be installed in a room that is not normally occupied and has no openings directly to occupied areas.*

### ⚠ WARNING

**Risk of fire and explosion if installed at floor level in an automotive garage or near gasoline or flammable liquid storage.** Gasoline fumes are heavier than air and will settle to floor level in closed spaces. Gasoline fumes and spilled gasoline or other volatile liquids (such as some paints and varnishes) will travel across the floor and can be ignited by a gas appliance.

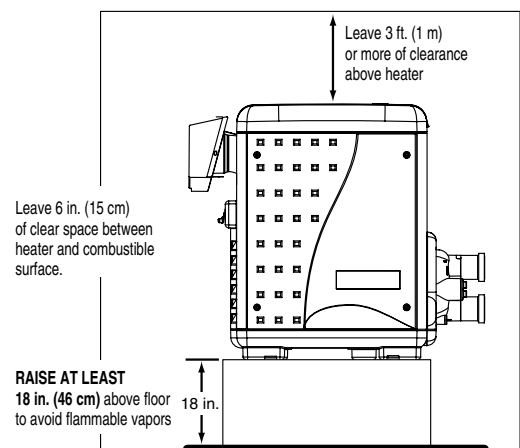
In any utility room or residential garage installation, install the heater with the base at least 18 inches (.5M) above the floor, see [Figure 18](#). In a garage, install a rail or wall to protect the heater from physical damage by a moving vehicle.

**Provide an adequate ventilation air supply** (See [Table 8, page 19](#)).  
**Choose a location that will avoid contamination by chemical fumes.**

### ⚠ CAUTION

**A Propane (LPG) fired heater must not be installed in a garage in Massachusetts, by order of the Massachusetts State Fire Marshal. For more information, call the Massachusetts State Fire Marshal's office.**

**NOTICE:** Combustion air contaminated by corrosive chemical fumes can damage the heater and will void the warranty (See [Table 9, page 19](#)).

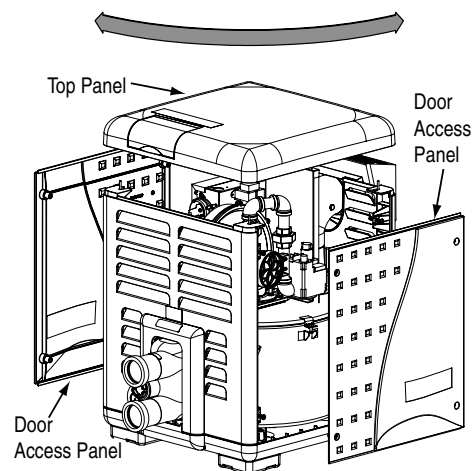


**Figure 18.**

## CONTROL PANEL INDEXING

On an outdoor shelter installation, the exhaust discharges into a vent pipe. Orient the heater so that the vent pipe does not interfere with adjustment of the operating controls. The control panel located on the top panel can be rotated to any of the three sides of the heater for easy access, see **Figure 19**.

1. Remove the bolts from the door panels. Remove both door access panels.
2. Remove the four corner screws that secure the top panel. Lift the top panel upward to remove the top panel.
3. Rotate the top panel to the desired position located at 90° angles. *Note that the control panel must **NOT** be located on the side where the vent is located.*
4. Replace the top panel down onto the side panels. Be sure that there are no wires caught under the panel.
5. Secure the top panel using the four corner screws.
6. Reattach the door access panels.



**Figure 19.**

## FINAL INSTALLATION CHECK

Check that horizontal vent pipe runs slope uniformly at least 1/4" per foot (2cm per meter) to condensate drain(s). No sags, no dips, no high or low spots.

Check that vent is supported at elbows, tees, and horizontal and vertical runs according to manufacturer's instructions and code requirements.

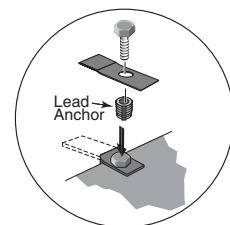
Check that vent supports and wall and ceiling penetrations allow free movements up, down, and sideways without putting any strains on the heater or vent body.

Check for at least six inch (15cm) free air clearance between the heater vent pipe and combustible materials.

Check that all joints are completely together and sealed.

In Florida, building codes require that the heater be anchored to the equipment pad or platform to withstand high wind pressures created during hurricanes. A Bolt Down Bracket Kit, P/N 460738, is available with anchor clamps designed to hold the unit to the equipment pad in high wind conditions. Installation of the anchor clamps are recommended in all installations and are required in Florida, (See Florida Building Code 301.13).

For Heater mounting bolts and clamps, purchase separately Bolt Down Bracket Kit, Part No. 460738.





## ELECTRICAL CONNECTIONS

Electrical Rating      60 Hz      120 / 240 Volts AC, single phase

Enclose the line to the heater in an approved flexible conduit connected directly to the junction box on the inside of the access door panel. Line voltage field wiring should be 14 gauge, with a circuit capacity of 15 amps.

### ⚠ CAUTION

**This heater is designed to operate at 120 or 240 VAC. It is not recommended to be connected to OR operate on a 208 VAC.**

### NOTE

- Before making any electrical connections to the power supply, remove the access door panels, open the control box, remove the 12-pin plugs from their bag, and plug in the correct plug (120 volt or 240 volt).
- If any of the original wiring supplied with this heater must be replaced, installer must supply (No. 18 AWG, 600V, 105° C. U.L. approved AWM low energy stranded) copper wire or it's equivalent.



### ⚠ CAUTION

**The heater ships from the Factory with the 240V plug installed. Installing the 120V plug and then connecting the heater to 240V line current will immediately destroy the transformer, control board and ignition control module, and will void warranty. If you install the 240V plug and connect the heater to 120 volts line current, the heater will not operate.**

Please read the boxes headed “IMPORTANT! READ ME FIRST!” on [pages 37](#) and [41](#) before proceeding.

1. All wiring must be in accordance with all applicable codes.
2. The heater, when installed, must be electrically grounded and bonded in accordance with local codes or, in the absence of local codes, with the National Electrical Code or the Canadian Electrical Code (as applicable). A bonding lug is provided on the outside of the panel under the vent for this purpose.
3. Electrical power circuits to the pool heater must follow local codes and National Electrical Code or Canadian Electrical Code (as applicable).
4. All wiring between the heater and devices not attached to it, or between separate devices which are installed in the field, must be “Type T” wire rated for 35°C rise.
5. All line voltage wiring shall be enclosed in approved flexible conduit, and shall be securely attached to the field wiring box located inside the access door panel. The conduit or cable connector at the field wiring box should contain an insulating bushing or its equivalent to prevent abrasion of the wires as they enter the box.
6. **The filter pump should run continuously when the heater is on, and for at least 15 minutes after the heater turns off.** Any switches in the pump circuit (including circuit breakers) that can disconnect the pump must also disconnect the heater.
7. Do not wire single-pole switches, including protective devices, into a grounded line. The heater is not sensitive to polarity.

Connect the **L1** of the power supply to the **black** wire, the **L2** or neutral lead to the **red** wire, and the **ground** wire to the **green** wire. A time clock controlling the filter pump should have a low-voltage Fireman’s Switch that switches off the heater at least 15 minutes before shutting off the pump.

*Always use crimp type connectors when connecting two wires.*

AC Plug  
120 Volt  
or  
240 Volt



**Figure 20.**

## CONNECTION OF FIREMAN'S SWITCH OR REMOTE CONTACT

### ⚠ CAUTION

If, while there is line voltage connected to the heater, you touch either line voltage terminal with any 24VAC wire that is connected to the control board (including the Fireman's Switch jumper), you will immediately destroy the control board and void the warranty.

### REMOTE CONTROL CONNECTIONS

1. Switch off power to heater at main circuit breaker panel.
2. Unbolt and remove the access door panels.
3. Open control box cover (see [Figure 21](#)).
- 4a. To connect a 2-Wire Control (such as Pentair's IntelliTouch or EasyTouch) or a timer:
  - Remove the factory installed jumper from the Fireman's Switch terminals.
  - Connect wires between the Fireman's Switch terminals on the heater and the relay. Connect wires from the controller or timer to the Fireman's Switch. Controller, timer or relay should be sized to handle 24VAC at 0.5 Amp (because it will be completing the 24VAC control board circuit on the heater as shown in [Figure 22](#)). DO NOT apply line voltage to the Fireman's Switch terminals. Use 18 gauge wire with a minimum 3/64" (1.2mm) thick insulation rated for a temperature rise of at least 105°C.
  - Knock-outs are provided to route the wires through the bottom of the control box and past the junction box.
- 4b. To connect a 3-Wire Control:
  - Connect wires between the control board terminals on the heater and the external relays, as shown in [Figure 23](#). Use at least 2 relays per heater, to allow for an "OFF setting" on each heater mode. Select relays that can handle logic level switching. DO NOT apply line voltage to control board terminals.
  - Move jumper (as shown on [Figure 23](#)) to enable external control and to disable the heater membrane pad's "Pool ON" and "Spa ON" buttons (the "OFF" key on the membrane pad remains functional).
  - Knock-outs are provided to route the wires through the bottom and the top of the control box and past the junction box.
5. Close control box cover.
6. Re-install the access door panels.

To control heaters that are operated in parallel, connect wiring at same locations on heater as 2-Wire or 3-Wire Control. It is imperative that each control circuit is isolated from the other control circuits, to avoid that current will flow from one heater to another through the control circuits.

**NOTICE:** The fuse for the Fireman's Switch is a 1.25 Amp 1¼ x ¼" fast blow fuse, which is commonly available.

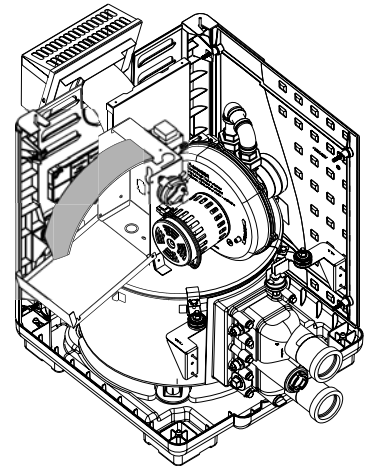


Figure 21.

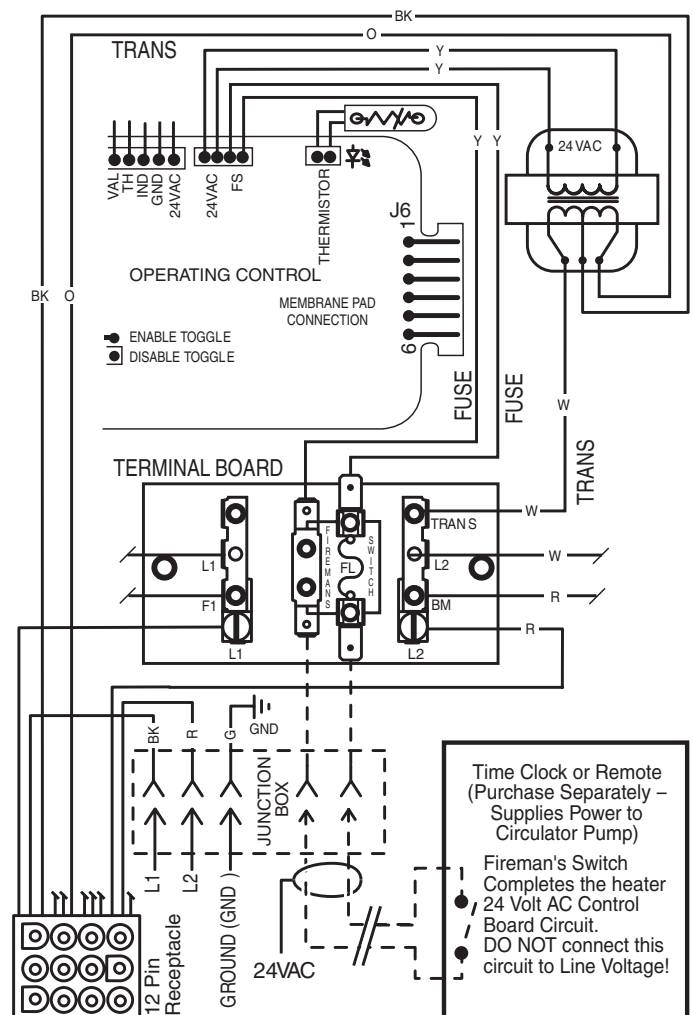


Figure 22.

# MASTERTEMP WIRING DIAGRAM

## (3-WIRE SYSTEM)

### CONNECTION DIAGRAM

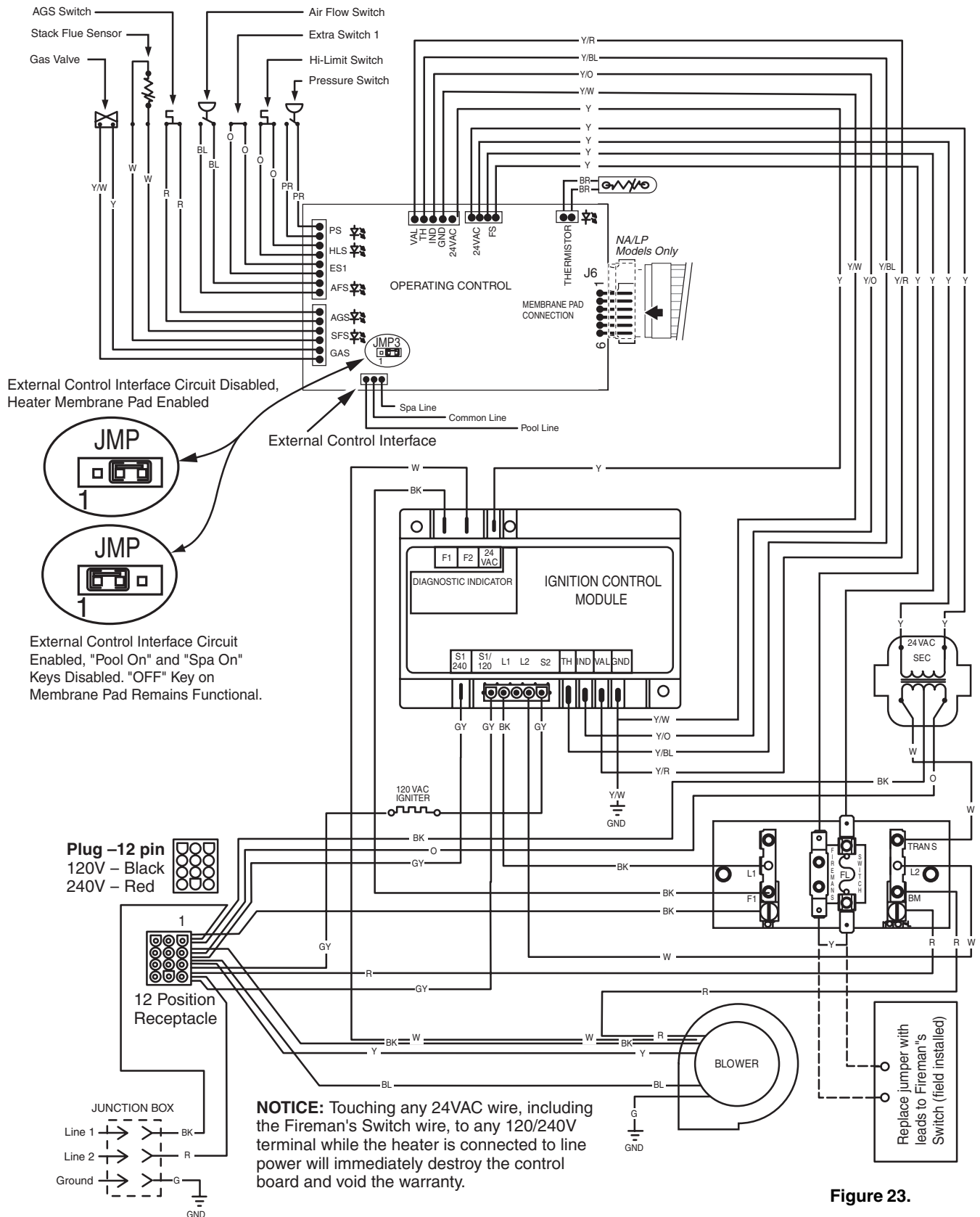
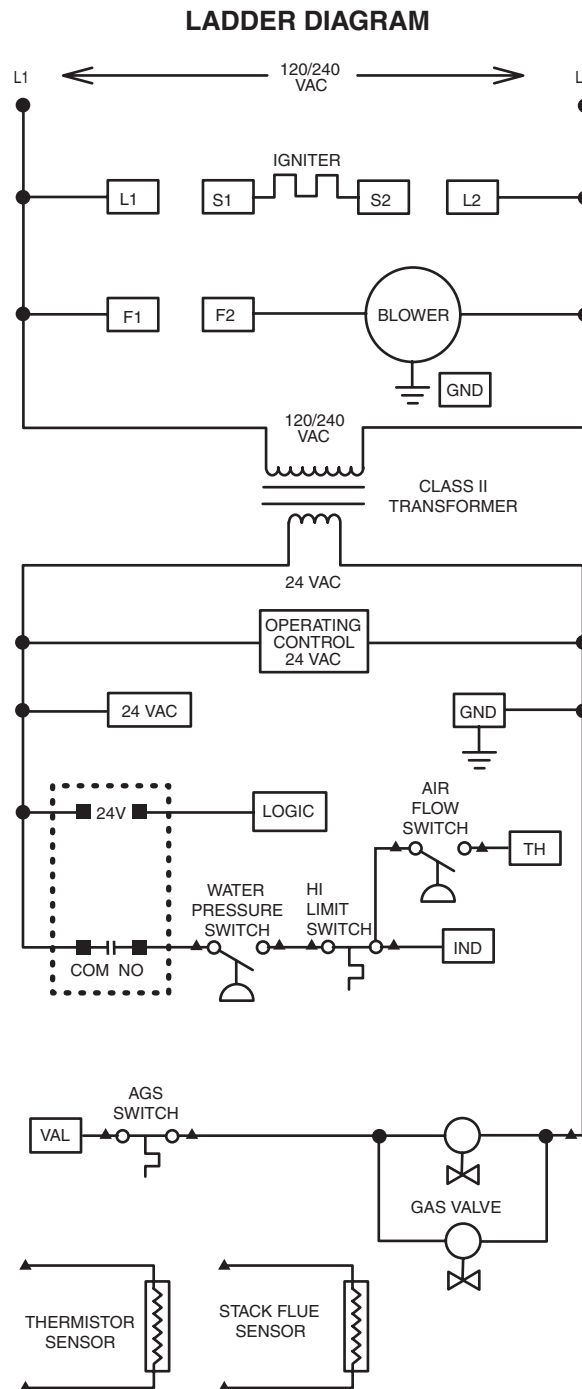


Figure 23.

# MASTERTEMP ELECTRICAL SCHEMATIC LADDER DIAGRAM



**NOTES:**

- 1.) 

L1	L2	F1	F2	S1	24 VAC
S2	GND	IND	VAL	AND	TH

ARE CONNECTED ON THE IGNITION MODULE.

2.) ▲ PIN AND SOCKET CONNECTOR.

3.) IF ANY OF THE ORIGINAL WIRES AS SUPPLIED WITH THE APPLIANCE MUST BE REPLACED, THEY MUST BE REPLACED WITH TYPE 105° C OR ITS EQUIVALENT.

**Figure 24.**


# Operation Instructions

## BASIC SYSTEM OPERATION

**Start pump, make sure the pump is running and is primed, to close the water pressure switch and supply power to heater.** Be sure the pool and/or spa is properly filled with water. Follow the Lighting/Operating instructions below.

## MASTERTEMP HSI ELECTRONIC IGNITION LIGHTING/OPERATION

### FOR YOUR SAFETY: READ BEFORE LIGHTING

<b>⚠ WARNING</b>	
	If you do not follow these instructions exactly, a fire or explosion may result causing property damage, personal injury or loss of life.
	Do not attempt to light the heater if you suspect a gas leak. Lighting the heater can result in a fire or explosion which can cause personal injury, death, and property damage.

## START-UP AND OPERATION

**START-UP AND SHUTDOWN INSTRUCTIONS ARE ON THE LABEL ATTACHED TO THE COVER OF THE APPLIANCE CONTROL BOX.**

### BEFORE START-UP

- A. This appliance does not have a pilot. It is equipped with an ignition device which automatically lights the burners. Do not try to light the burners by hand.
- B. **BEFORE OPERATING**, smell all around the appliance area for gas. Be sure to smell next to the floor because some gas is heavier than air and will settle on the floor.

### WHAT TO DO IF YOU SMELL GAS

- Do not try to light any appliance.
  - Do not touch any electrical switch; do not use any phone in your building.
  - Immediately call your gas supplier from a neighbor's phone. Follow the gas supplier's instructions.
  - If you cannot reach your gas supplier, call the Fire Department.
- C. Use only your hand to turn the gas control on or off. Never use tools. If you cannot change the ON/OFF setting by hand, don't try to repair it, call a qualified service technician. Forced or attempted repair may result in a fire or explosion.
- D. Do not use this heater if any part has been under water. Immediately call a qualified service technician to inspect the heater and to replace any part of the control system and any gas control which has been under water.

- E. Do not operate the pool heater unless the pool or spa is properly filled with water.
- F. Before operating the appliance for the first time or after it has been off for an extended time, perform the following checklist:
1. Remove debris or other articles from inside the heater and the area around the heater and its exhaust vent. Make sure the ventilation openings are clear of debris or obstruction. For installations in an enclosed space, make sure openings for combustion and ventilation air are unobstructed.
  2. Keep heater area clear and free from combustibles, flammable liquids and chemicals.
  3. Check that all water connections are tight.
  4. Water must be flowing through the heater during operation. Make sure that pool/spa is filled with water and have pump operating. Check that water flow is unobstructed from the appliance. When operating for the first time or after an extended shut-down, run filter pump for several minutes to clear all air from the system.

## OPERATING INSTRUCTIONS

1. **STOP!** Read the safety information on (page 32).
2. Set both pool and spa thermostats to the lowest settings.
3. Turn off all electric power to the appliance.
4. This appliance does not have a pilot. It is equipped with an ignition device which automatically lights the burner. Do not try to light the burner by hand.
5. Remove the access door panels by unfastening the four screws located on each door, then lift up and out from the bottom of the panel to remove. If necessary, the screws may be used as handles, see Figure 25.
6. **Toggle-Style Valve:** Pull toggle toward you to turn gas off, see Figure 26.
7. Wait five (5) minutes to clear out any gas. If you then smell gas, **STOP!** Follow “B” in the “Before Start-up” instructions (page 32). If you don’t smell gas, go to the next step.
8. Push the toggle switch away from you to switch the gas on.
9. Replace the Door Access Panels. All panels must be in place when operating the heater.
10. Set 3-way valves on inlet and outlet to pool or spa, as appropriate.
11. Turn on all electric power to the appliance.
12. Press either the POOL ON or SPA ON button switch on the operating control.
13. Set the thermostat to desired setting (**NOTICE:** Setpoint must be above actual water temperature or burner will not fire). See “OPERATING the CONTROL PANEL”.
14. The blower should come on immediately, and after about 20 seconds, the burner should fire. When operating for the first time, the burner may not fire on the first try because of air in the gas line. If it does not fire at first, push the OFF switch, wait five minutes, and again push the POOL or SPA ON switch. The burner should fire after about 20 seconds. You may have to repeat this until all of the air has cleared the gas line.
15. The burner should fire until the pool/spa temperature reaches the desired temperature set on the thermostat. The blower will continue to run for about 45 seconds after the burner shuts off. If any of the safety interlocks should open during burner operation, the burner shuts off immediately, but the blower continues to run for about 45 seconds. Should overheating occur or the gas supply fail to shut off, turn off the manual gas control valve to the appliance.
16. If the appliance will not operate, follow the instructions below “TO TURN OFF GAS TO THE APPLIANCE”, and call your service technician or gas supplier.

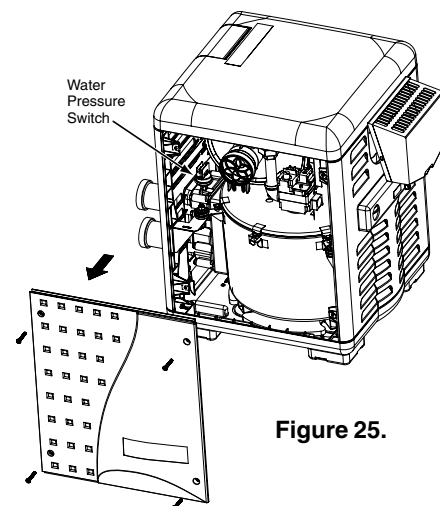


Figure 25.

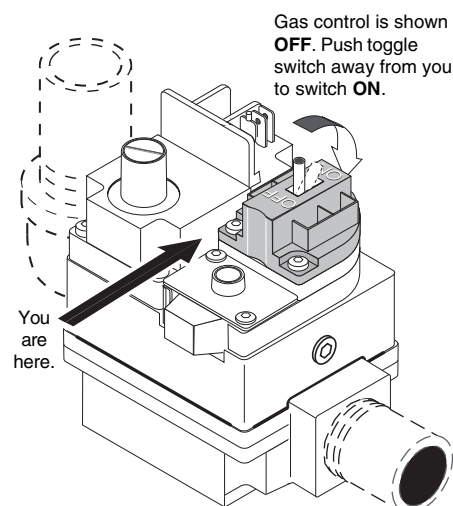


Figure 26.

## TO TURN OFF GAS TO APPLIANCE

1. Press the OFF button on operating control.
2. Switch off all electric power to the unit.
3. Remove the access door panels, see Figure 25.
4. **Toggle-Style Valve:** Pull toggle toward you to turn gas off, see Figure 26.
5. Replace the Access Door Panels.

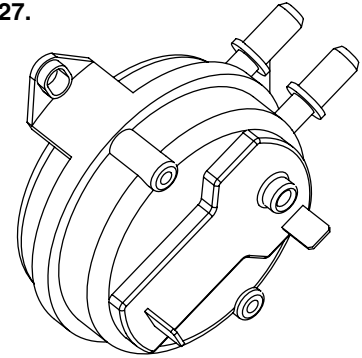


# SAFETY CONTROLS

## AIR FLOW SWITCH (AFS)

The air flow switch, (see **Figure 27**), is a safety device used to insure that the combustion air blower (fan) is operating and has been designed to monitor the vacuum (negative) pressure within the blower housing. The air flow switch is factory set and is connected upstream of the ignition module. The ignition module does not operate unless the air pressure switch and all safety switches are closed.

Figure 27.



Air Flow Switch

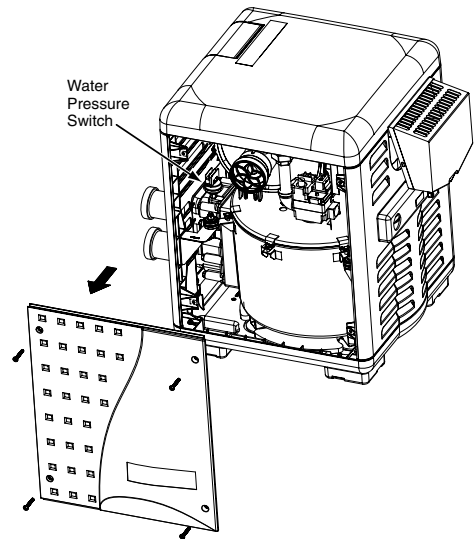
## WATER PRESSURE SWITCH

### ⚠ WARNING

**Hazardous pressure. Do not bypass the Water Pressure Switch or render it inoperable.**

The water pressure switch, (see **Figure 28**). If the water flow is restricted, the water pressure switch may prevent the burner from firing and cause the “Service System” light to go on. If the light remains on after the filter has been serviced, have a qualified service technician check the system.

Figure 28.



For deck-level heater installations, the Water Pressure Switch is factory set at 3.00 psi (20.6 kPa). **NOTE:** See, *Below Pool Level Installation instructions on page 12*. If the pressure switch is one foot (.3M) below or above the pool water level, reset the switch so that it is open when the pump is off and closed when the pump is running. Turn the star-wheel on the switch clockwise (↻) to raise setting (heater below the pool) and counterclockwise (↺) to lower the setting (heater above the pool – see **Figure 29**). Test the switch after resetting.

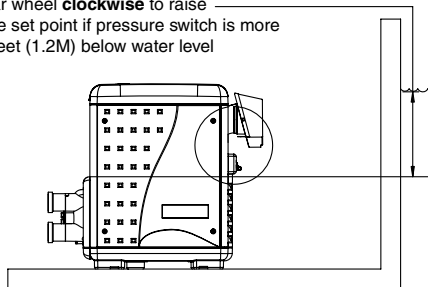
**NOTICE:** When the heater is mounted more than five feet (1.5M) above or four feet (1.2M) below the deck level, a Pressure Switch is no longer adequate. A Flow Switch must be installed instead.

**NOTICE:** Heater operation with incorrect Pressure Switch setting may cause operation with no water flow. Operation of the heater without sufficient water flow may severely damage it.

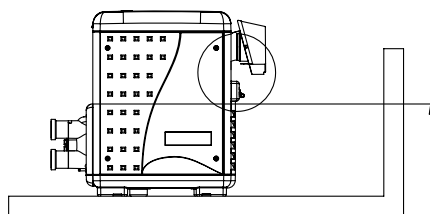
## HIGH LIMITS

A “High Limit”, is a safety device that opens the electrical circuit and shuts off the heater based on a water temperature set point within the “High Limit Device”. The MasterTemp series of heaters contains two (2) high limit devices which are located on the main inlet / outlet header.

Turn star wheel **clockwise** to raise pressure set point if pressure switch is more than 4 feet (1.2M) below water level



A reference scale is on the back of pressure switch



Turn star wheel **counterclockwise** to lower pressure set point if pressure switch is more than 5 feet (1.5M) above water level

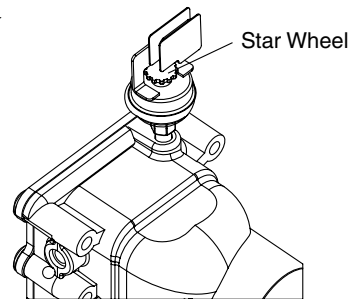


Figure 29.

## SAFETY CONTROLS, (cont'd.)

### OPERATION OF IGNITION MODULE

The Ignition Module, (see [Figure 30](#)), is microprocessor based and operates on 24VAC supplied by the transformer. The control utilizes a microprocessor to continually and safely monitor, analyze, and control the proper operation of the gas flame holder. The module with the presence of the flame sensor, using flame rectification, allows the heater to operate.

### OPERATING THE CONTROL PANEL

The five operating switches are:

- POOL ON** Press this button to govern heater operation by the pool temperature setting.
- SPA ON** Press this button to govern heater operation by the spa temperature setting.
- HEATER OFF** Press this button to switch off the heater.
- ▲ TEMP** Press this button to raise the temperature setting.
- ▼ TEMP** Press this button to lower the temperature setting.

To toggle the display between degrees Centigrade (°C) and degrees Fahrenheit (°F):

1. Turn the Operating Control OFF.
2. Press **▲ TEMP** or **▼ TEMP** for 5 seconds. The display will flash once and change modes (°C to °F or vice versa).
3. Turn the Operating Control ON.

When either the **▲ TEMP** or **▼ TEMP** buttons are depressed, the digital display will indicate the temperature setting. After five seconds, the display will return to the actual pool/spa temperature.

In addition to the digital temperature display, there are five indicator lights:

The **POOL ON** light indicates that the pool water temperature is governing operation of the heater.

The **SPA ON** light indicates that the spa water temperature is governing operation of the heater.

The **HEATING** light comes on and stays on when the burner is firing. This light should be on whenever the burner is on. It blinks when the heater is calling for heat but not firing. If this light is on but the burner fails to come on, one of the “service” lights should come on, indicating a fault in the system.

The **SERVICE SYSTEM** light indicates that there is insufficient water flow to the heater. If the pump is operating, this usually indicates that the filter and/or skimmers should be cleaned (some filters may require back-washing). If the light remains on after the filter/skimmers have been serviced, the system should be checked by a qualified service technician.

The **SERVICE HEATER** light indicates a fault in the heater or its controls. If this light comes on, shut down the heater (See “TO TURN OFF GAS TO THE APPLIANCE” on [page 33](#)), and have a qualified service technician check the system.

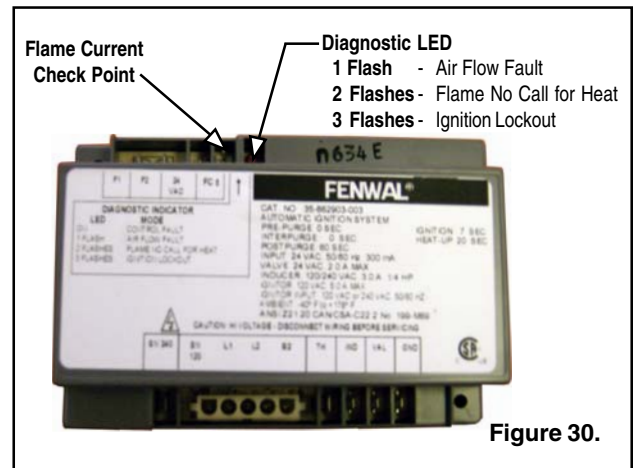


Figure 30.

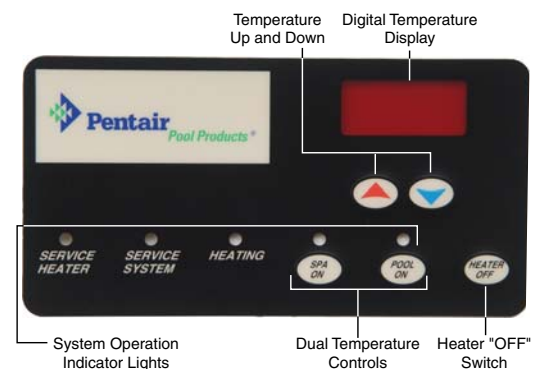


Figure 31.

## ⚠ WARNING

**Risk of explosion or fire causing burns or death if safety interlocks are disabled. DO NOT** attempt to operate heater when SERVICE HEATER light is on or if blower or burner will not start. Instead, follow instructions under “To Switch Off Gas to the Appliance,” and call a qualified service technician to repair unit.



## TEMPERATURE SETTING

The heater comes factory set at 78° F. for the pool mode and 100° F. for the spa mode. Using the up and down arrows, you can set the thermostats to a minimum temperature of 65° F., or a maximum of 104° F. If you desire to heat only one body of water, the thermostat is capable of an off mode. As an example, if you only wish to heat the spa and not the pool, simply depress and hold the pool down arrow, and the thermostat will lower its setting to 65° F. then go to an off mode.

## MAXIMUM TEMPERATURE SET POINT

1. Unbolt and remove the door panels (see [Figure 32](#)).
2. Access the control panel board on the underside of the top cover. Locate the yellow button on the corner of the control board.
3. Push the **Max. Temp. Set Point** button on the back of the control board (see [Figure 33](#)).

The following sequence should happen:

- A. The unit will come on and the **POOL ON** light will come on.
  - B. Press the **▲ TEMP** or **▼ TEMP** pad (on TOP of the panel) to set maximum pool temperature.
  - C. Wait up to 30 seconds; the **POOL ON** light will go off and the **SPA ON** light will come on. To override the time delay, push the **Max. Temp. Set Point** button again.
  - D. Press the **▲ TEMP** or **▼ TEMP** button on the control panel and set maximum spa temperature to 104°F (40°C) or less.
  - E. Wait up to 30 seconds; the **SPA ON** light will go off and the unit will shut down. To override the time delay, push the **Max. Temp. Set Point** button again.
4. Reinstall the access door panels.

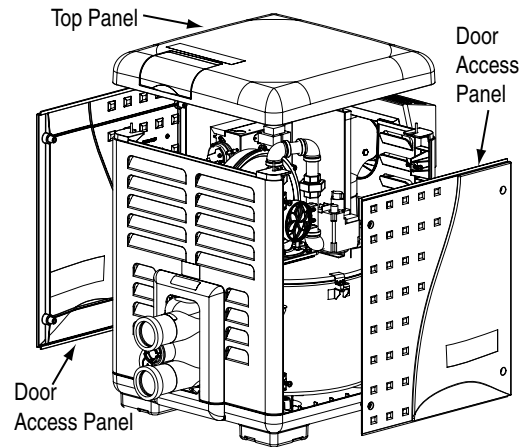


Figure 32.

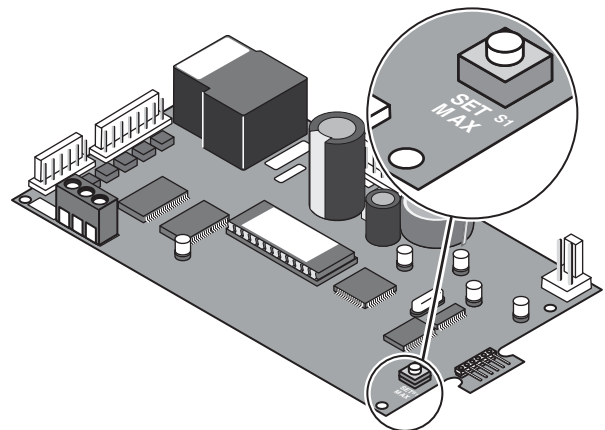


Figure 33.

# Troubleshooting Instruction

## Initial Troubleshooting

Only qualified, trained service technicians with appropriate test equipment should service the heater. Remember that all parts of the system affect heater operation. Before starting this troubleshooting procedure, make sure that the pump is running correctly, that there are no blockages in the system, that the valves are correctly set and that the time clock is correctly set and is running.

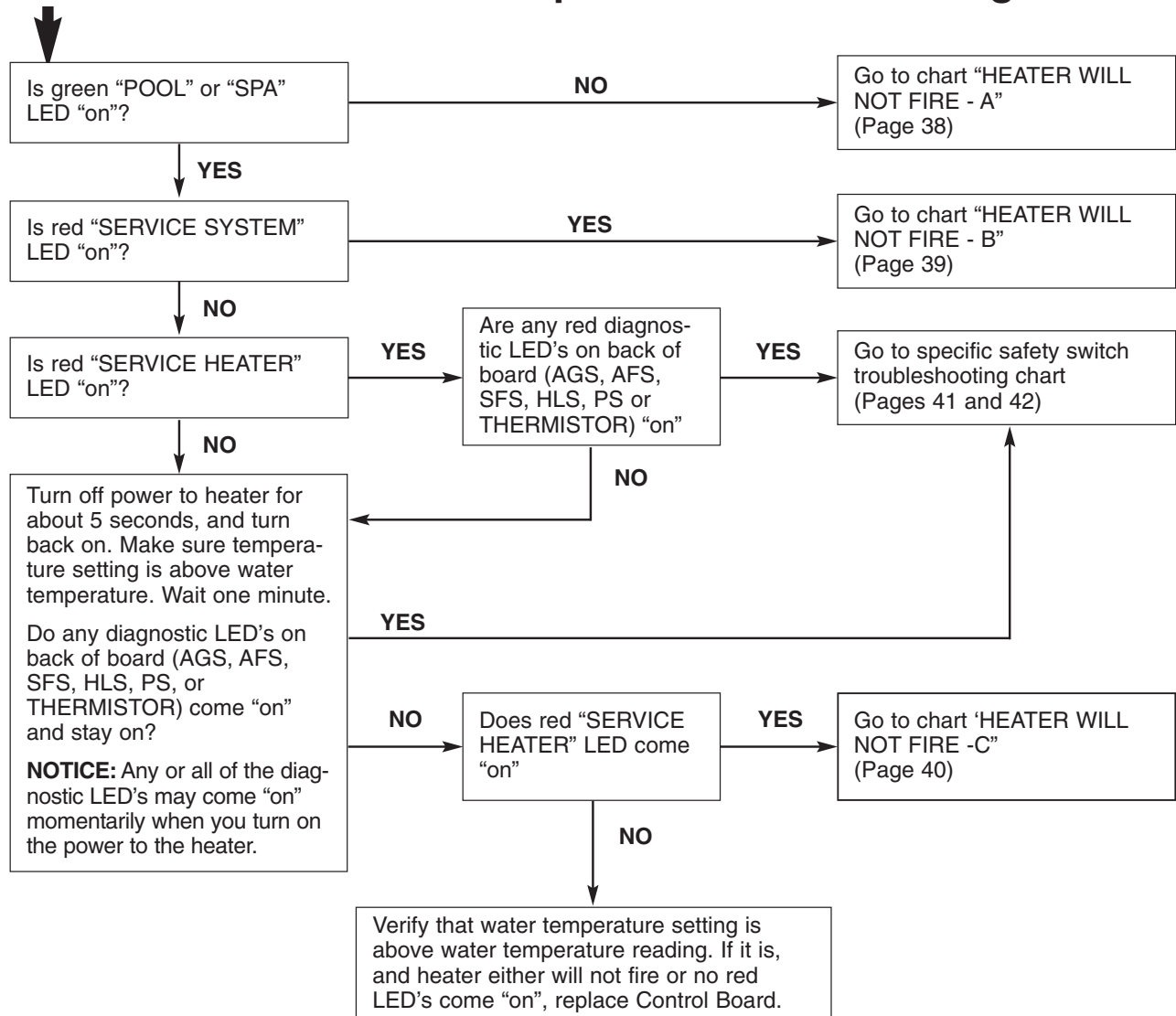
**IMPORTANT! READ ME FIRST!**

**NOTICE:** Installing the **black 120 volt** plug in the control box and then connecting the heater to a **240 volt line will destroy the transformer, control board, and ignition control module, and will void the warranty.** If you install the red 240 volt plug and then connect the heater to a 120 volt line, the heater will not operate.

**READ THE FOLLOWING CAREFULLY:**

1. Check the line voltage to your heater. This heater will operate on either 120 Volts AC or 240 Volts AC.
2. Remove the covers and check the 12-pin plug in the back of the control box. The plug must match the voltage in the heater circuit.
3. If the 12-pin plug is not plugged into the back of the control box, select the correct plug from the bag in the control box and plug it in. The **BLACK** plug is for **120 volts**, the **RED** plug is for **240 volts**.

### Start here for directions to specific Troubleshooting Chart

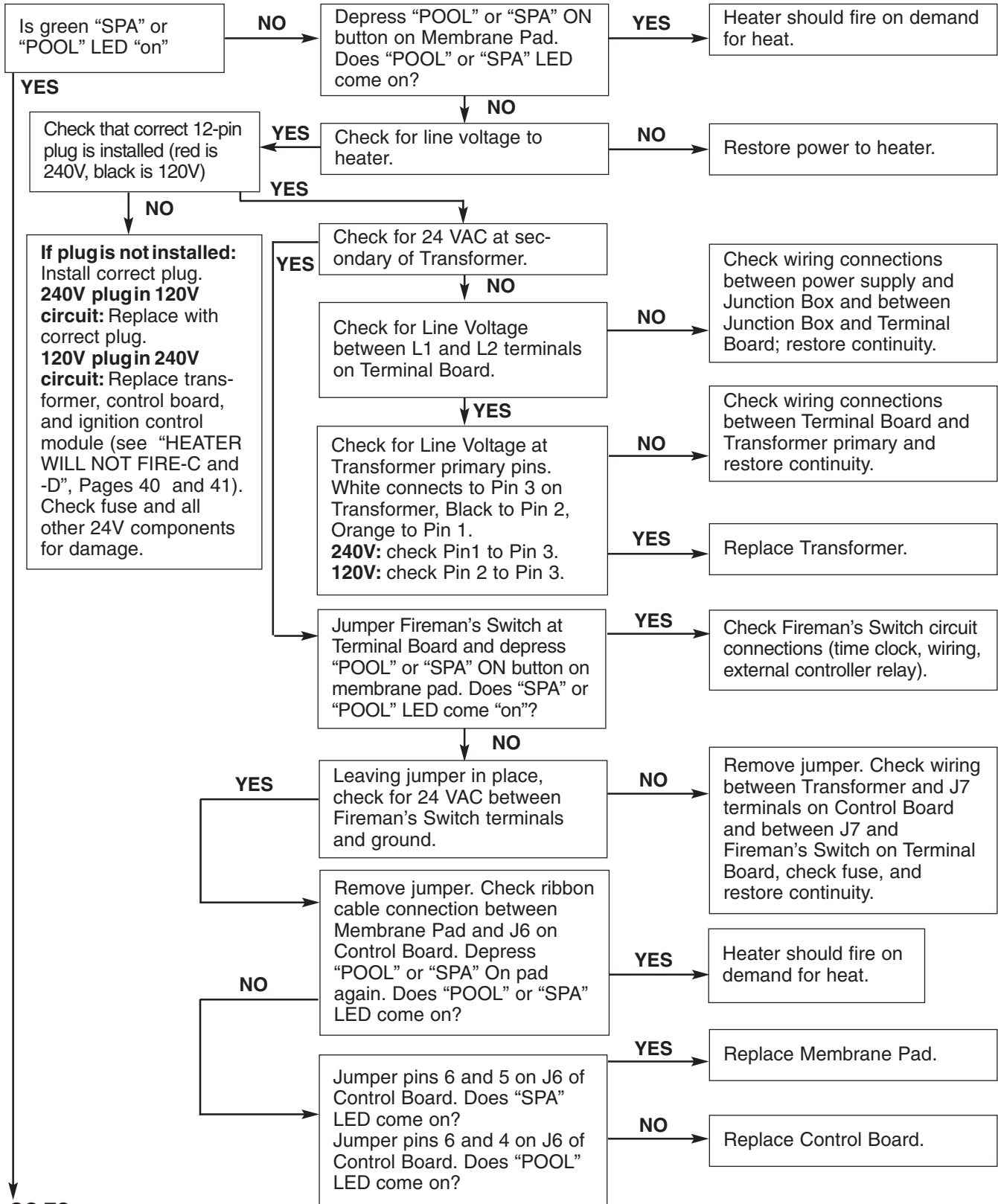


**⚠ WARNING** Hazardous voltage. Can shock, burn or kill. Disconnect power before servicing any components.

**⚠ WARNING** Fire and Explosion hazard. Do not jumper switch terminals to remedy a failed safety switch.

# Heater Will Not Fire - A

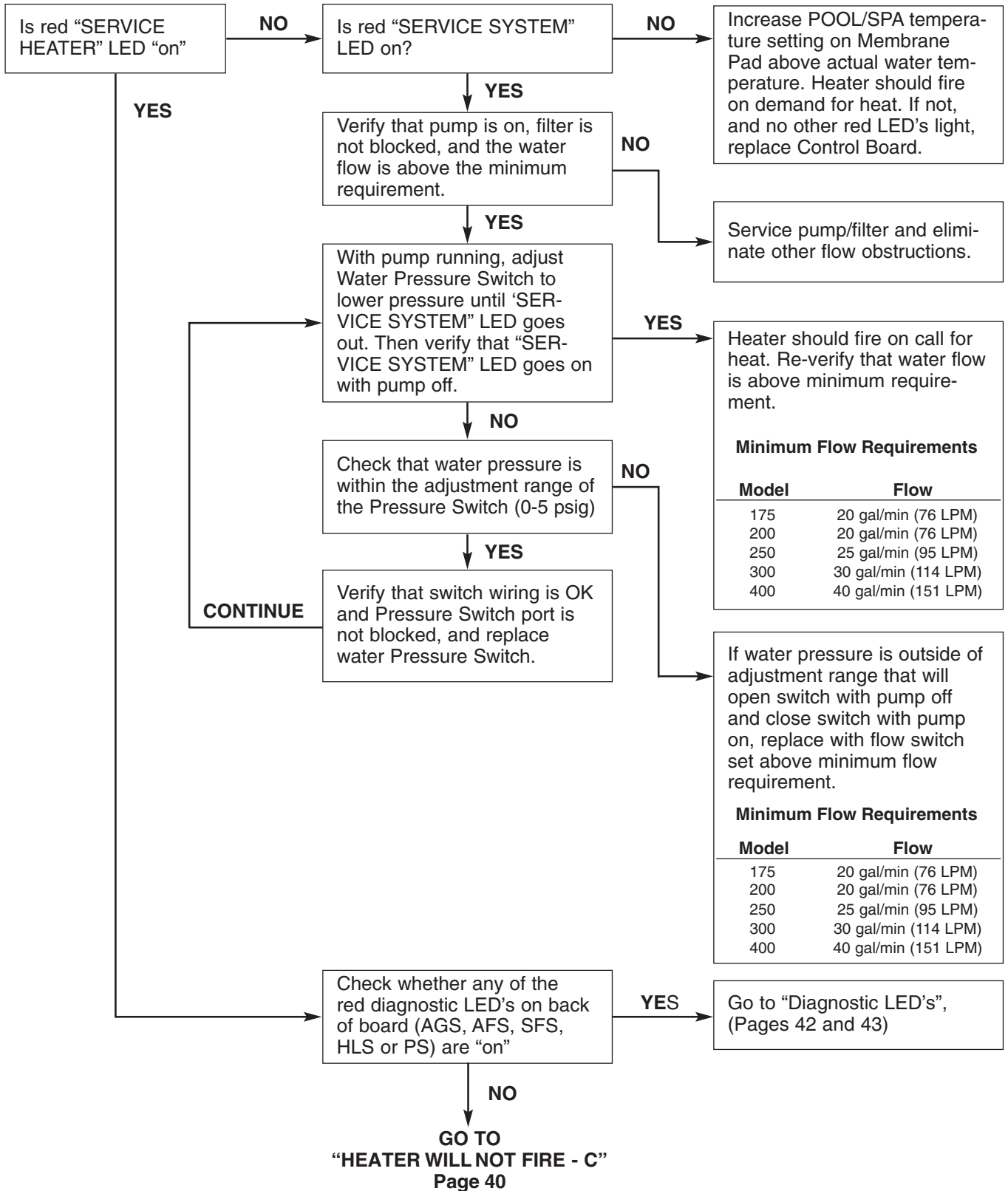
## Start



GO TO  
 "HEATER WILL NOT FIRE - B"  
 Page 39

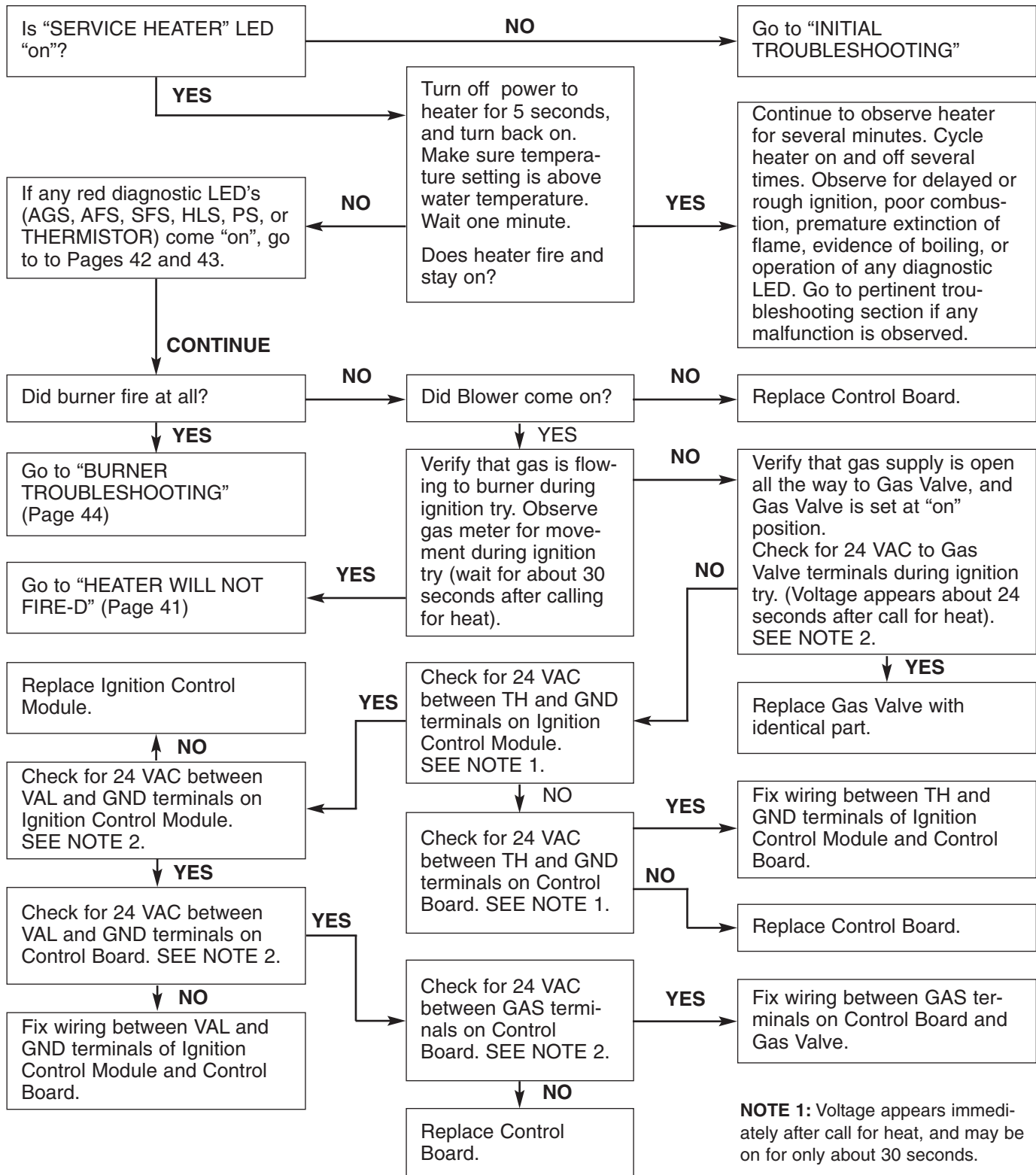
# Heater Will Not Fire - B

## Start



# Heater Will Not Fire - C

## Start



**NOTE 1:** Voltage appears immediately after call for heat, and may be on for only about 30 seconds.

**NOTE 2:** Voltage appears about 24 seconds after call for heat, and may be on for only about 7 seconds.

## Heater Will Not Fire - D

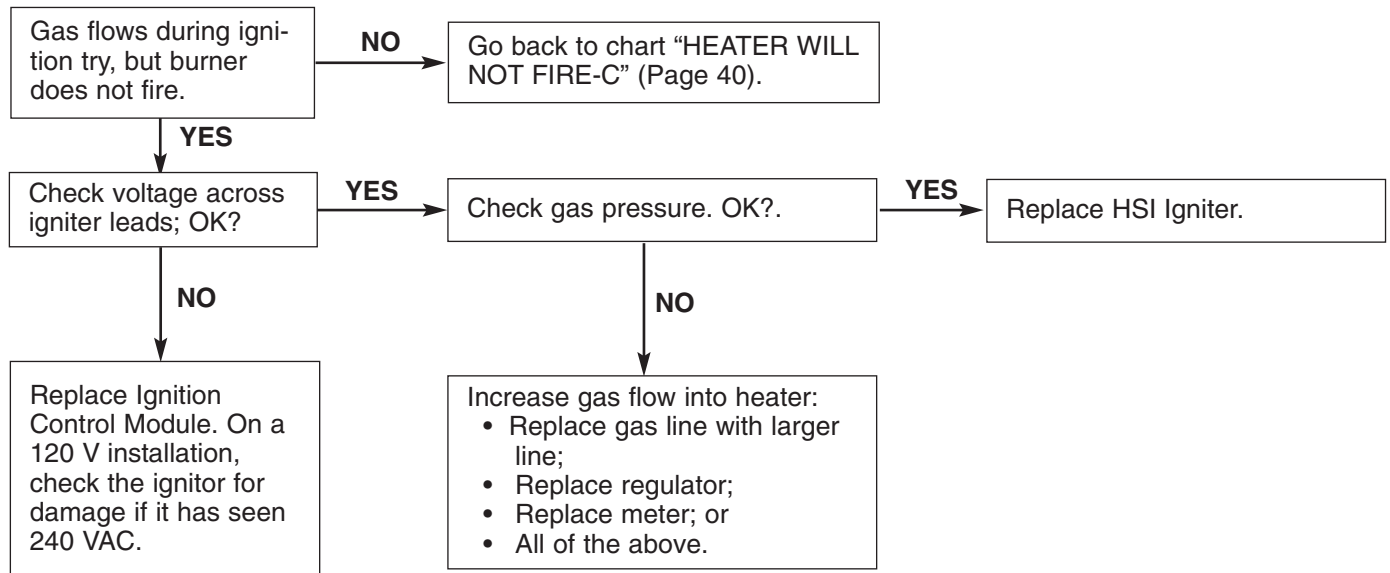
### IMPORTANT! READ ME FIRST!

#### IMPORTANT! READ ME FIRST!!

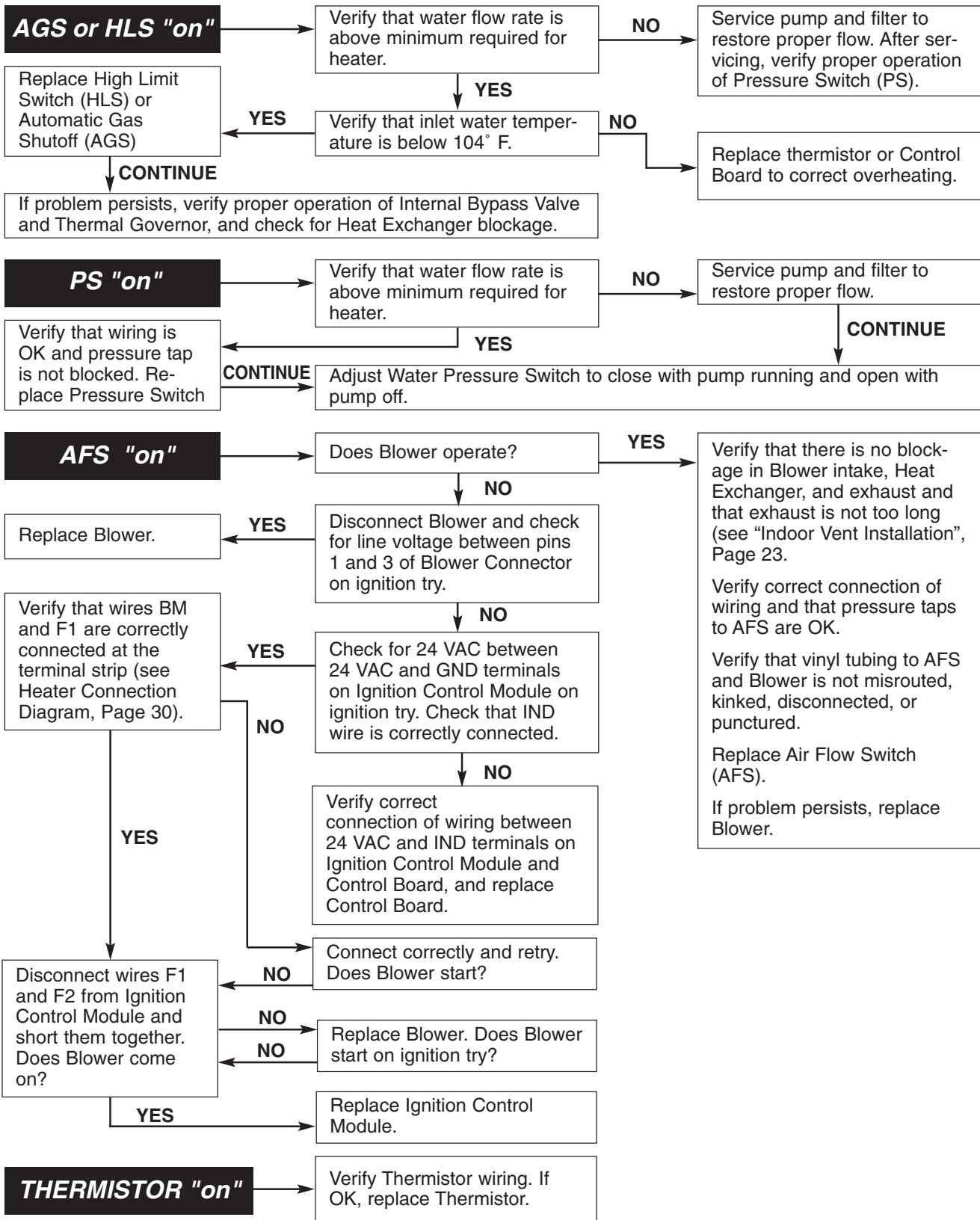
If your heater is correctly connected to **240 Volts AC**, the Ignition Control Module (ICM) will convert the 240VAC to an intermittent pulse to the ignitor. Digital meters don't read this type of signal well. (An analog meter will give a better reading than a digital meter). If the ICM is bad, your volt-

meter will read either 0 VAC or 240 VAC. If your ICM is good, your meter will read some voltage between 0 and 240 VAC. Exactly what reading you get will depend on the meter, but with a good ICM, the reading won't be 0 VAC or 240 VAC, but somewhere in between.

### Start



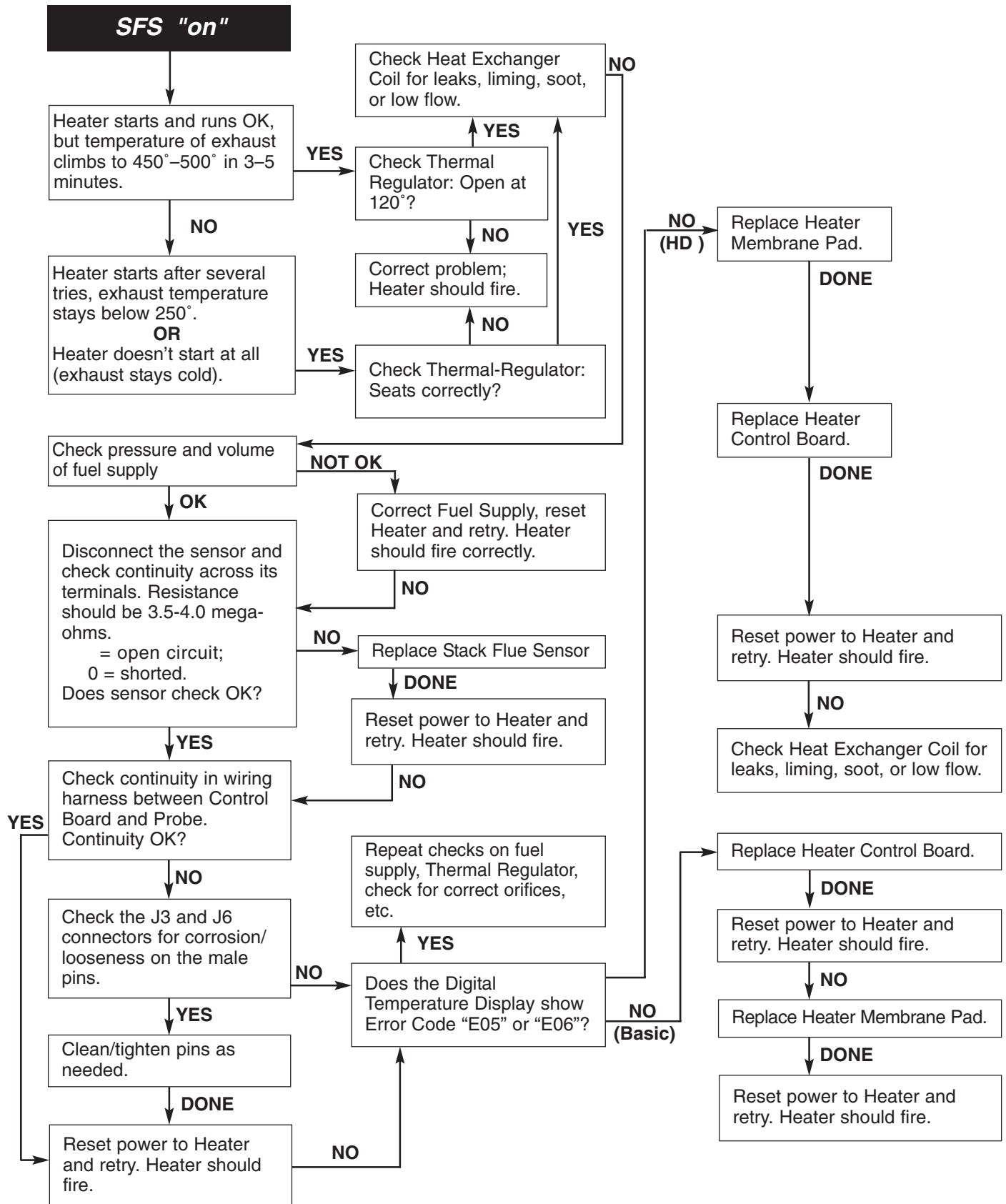
# Diagnostic LED's: AGS, AFS, HLS, PS, THERMISTOR



**CAUTION** Do not jumper a safety switch to remedy a failed switch. **NOTE:** ES1 is a spare and should be jumpered.



# Diagnostic LED's: SFS





## Burner Troubleshooting

<b>SYMPTOM</b>	<b>CAUSE</b>	<b>REMEDY</b>
Loud, high-pitched whine	Flame is too rich.	Verify pressure tap between gas valve and blower inlet.  See page 15 and verify that the gas regulator setting is $-0.2''$ ( $-0.5\text{cm}$ ) wc.  Contact a qualified technician or service agency to replace the gas orifice.
Flame is "fluttery." Exhaust may have acrid smell or burner may fail to stay lit.	Flame is too lean.	See page 15 and verify that the gas regulator setting is $-0.2''$ ( $-0.5\text{cm}$ ) wc.  Contact a qualified technician or service agency to replace the gas orifice.
Burner pulsates or surges, especially on ignition.	Exhaust vent is too long.	Reduce length of exhaust vent and/or number of elbows.
Combustion appears normal, but flame does not stay lit.	Flame current is not being sensed.	Check for wet or damaged igniter with low resistance to ground. Replace with new igniter.  Verify burner flameholder is properly grounded.  Replace Ignition Control Module.

## Heat Exchanger Troubleshooting

<b>SYMPTOM</b>	<b>CAUSE</b>	<b>REMEDY</b>
Boiling in heat exchanger. May be accompanied by "bumping" sounds.	Low water flow to heater.  Heat exchanger plugged.  Bypass valve stuck open.  Thermal governor stuck closed.	Service pump and or filter.  Service heat exchanger. Correct water chemistry.  Service bypass valve.  Replace thermal governor.
Sweating.	Thermal governor failed.	Replace thermal governor.

# Maintenance Instructions

## CARE AND MAINTENANCE

### ⚠ WARNING

**Risk of fire or explosion from flammable vapors.** Do not store gasoline, cleaning fluids, varnishes, paints, or other volatile flammable liquids near heater or in the same room with heater.

The following maintenance is recommended every six months and at the start of every swimming season:

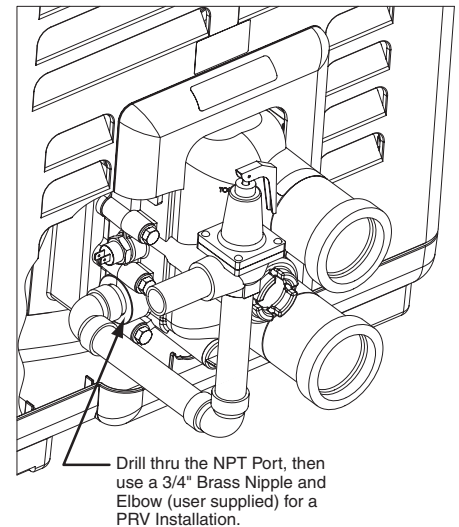
1. Inspect the heater panels and venting system to make sure that there are no obstructions to the flow of ventilating air or burner exhaust. Check that room air intakes are open and clear of obstructions.
2. Keep the area in and around the heater clear and free from combustible materials, gasoline and other flammable vapors and corrosive liquids.
3. Test the operation of the pressure relief valve by lifting the valve lever.
4. Test for proper operation of the pressure switch. (See “WATER PRESSURE SWITCH” for testing instructions).
5. On enclosed installations with high-temperature Special Gas Vent systems, repeat the “Final Installation Check,” [page 27](#). Check for evidence of joint leakage. Make sure that joints have not slipped partially or completely apart. Check pipe and fittings for cracks or breaks. The combustion air blower is permanently lubricated, and does not require periodic lubrication. The burner does not require maintenance or adjustment by the user. Call a qualified service technician if you suspect that the burner may require maintenance.

## PRESSURE RELIEF VALVE

Canadian code requires and some U.S. local codes may require installation of a pressure relief valve (PRV). Purchase separately and install a 3/4" pressure relief valve complying with the ANSI/ASME Boiler and Pressure Vessel Code, having a capacity equal to the Btu/hr rating of the heater. The relief pressure of the valve **MUST NOT EXCEED 50 PSI**.

The relief valve must be installed vertically. To install the valve, use a 3/4" x 2" brass nipple at the manifold, the two brass elbows and nipples are (user supplied), as illustrated in [Figure 34](#). No valve is allowed to be placed between the manifold adapter and the relief valve.

To avoid water damage or scalding from operation of the relief valve, install a drain pipe in the outlet of the pressure relief valve that will direct water discharging from the valve to a safe place for disposal. Do not install any reducing couplings or valves in the drain pipe. The drain pipe must be installed so as to allow complete drainage from the valve and drain line. *The relief valve should be tested at least once a year by lifting the valve lever.*



**Figure 34.**

### ⚠ WARNING

**Explosion hazard.** Any heater installed with restrictive devices in the piping system downstream from the heater, (including check valves, isolation valves, flow nozzles, or therapeutic pool valving), must have a relief valve installed as described above.

## AFTER START-UP

### CHECKING WATER FLOW

#### **⚠ WARNING**

**Fire or flooding hazard.** If the unit overheats and the burner fails to shut off, follow instructions under “To Turn Off Gas to the Appliance”, page 33, and call a qualified service technician to repair unit.

After start-up, the outlet water pipe should feel slightly warmer than the inlet pipe. If it feels hot, or if you hear the water in the heater boiling, there may not be enough water flow to the appliance. Make sure that the filter is not plugged. If water temperature remains high but the unit continues to operate, turn off the appliance and call your service technician.

### SPRING AND FALL OPERATION

If the pool is only used occasionally, lower the pool thermostat to 68° F (20° C) and leave the heater on. This will keep the pool and the surrounding ground warm enough so that the heater should restore the pool to a comfortable temperature within about one day.

### WINTER OPERATION

#### **⚠ CAUTION**

- Operating this heater continuously at water temperatures below 68° F. (20° C) will cause harmful condensation and will damage the heater and void the warranty.
- If the heater has been drained for freezing condition, do NOT turn "ON" until the system is circulating water.
- Water trapped in the heat exchanger can result in freeze damage to the exchanger or headers. Freeze damage is specifically not covered by the warranty.
- When starting the heater for the swimming season with a water temperature below 50° F (10° C), the heater may be used to heat the water; however, make sure that the heater operates continuously until the water temperature reaches the heater's minimum setting of 68° F (20° C). During cold weather, if there is no danger of freezing, operate the filter pump continuously even if the heater is not operating. If air temperatures are expected to drop below freezing (32° F/0° C), shut down the heater and winterize it.

For outdoor heaters in freezing climates, shut the heater down and drain it for winter as follows:

1. Turn off electrical supply to the heater and pump.
2. Close main gas control valve and manual gas valve (located outside the heater). Turn switch on heater gas valve to OFF.
3. In northern climates where they may be required, open drain cock located on the bottom of the manifold adapter, and drain the heat exchanger and manifold adapter completely. If heater is below pool water level, be sure to close isolation valves to prevent draining the pool (isolation valves are not required and should not be used on heaters installed above pool water level except when needed for winterizing valves). Assist the draining by blowing out the heat exchanger through the pressure switch fitting with low pressure compressed air (less than 5 PSI or 35 kPa).

#### **⚠ WARNING**

**Explosion hazard.** Purging the system with compressed air can cause components to explode, with risk of severe injury or death to anyone nearby. Use only a low pressure (below 5 PSI or 35 kPa), high volume blower when air purging the heater, pump, filter, or piping.

4. Remove the Water Pressure Switch. Plug the port in the manifold to prevent bugs and dirt from getting into the manifold.
5. Drain the plastic inlet/outlet manifold through the outlet pipe. If the pipe does not drain naturally to the pool, install a drain cock in the outlet pipe to drain the manifold.
6. Cover air inlet grate with a plastic bag to prevent bugs, leaves, etc., from getting into the heater.

**NOTICE:** Water trapped in the heater can cause freeze damage. Allowing the heater to freeze voids the warranty.

To return the heater to service after winterizing:

1. Close drain cock and fittings.
2. Before starting the heater, circulate water through the heater for several minutes until all air noises stop. See also “BEFORE START-UP” (page 32) and “CARE AND MAINTENANCE” (page 45).

*(See additional notes under Important Notices in Introduction.)*

## **MAINTAINING POOL TEMPERATURE**

To maintain pool temperature, make sure that the heater switch and valving are reset to pool settings after using the spa.

### **ENERGY SAVING TIPS**

1. Keep the pool or spa covered when not in use. This will reduce heating costs, reduce water evaporation, conserve chemicals and reduce load on the filtering system.
2. Reduce pool thermostat to 78° F (25° C) or lower; reduce spa temperature to 100° F (38° C). This is accepted as being the most healthy temperature for swimming by the American Red Cross.
3. Use a time clock to start the filter pump at 6 a.m. or later. The swimming pool loses less heat after daybreak.
4. For pools used only on weekends, lower the thermostat setting by 10° F to 15° F (5° C to 8° C) during the week to reduce heat loss. A properly sized heater will restore normal temperature within one day.
5. Turn the heater off when the pool will not be used for an extended period.
6. Follow a regular program of preventive maintenance for the heater each new swimming season. Check operation of the heater and its controls.

## **CHEMICAL BALANCE**

### **POOL AND SPA WATER**

Your Pentair pool heater was designed specifically for your spa or pool and will give you many years of trouble-free service, provided you keep your water chemistry in proper condition.

Water chemistry should follow good swimming pool water chemistry practices. When using a chlorinator, install it down stream from the heater and at a lower level than the heater outlet. Install a corrosion resistant positive seal “Check Valve”, (P/N R172288), between the heater and the chlorinator to prevent concentrated chemicals from back-siphoning into the heater. Back-siphoning is most likely to occur when the pump stops, creating a pressure-suction differential. Do NOT sanitize the pool by putting chlorine tablets or sticks into the skimmer(s). When the pump is off, this will cause a high concentration of chlorine to enter the heater, which could cause corrosion damage to the heat exchanger.

Three major items that can cause problems with your pool heater are: improper pH, disinfectant residual, and total alkalinity. These items, if not kept properly balanced, can shorten the life of the heater and cause permanent damage.

### **⚠ CAUTION**

**Heat exchanger damage resulting from chemical imbalance is not covered by the warranty.**

### **WHAT A DISINFECTANT DOES**

Two pool guests you do not want are algae and bacteria. To get rid of them and make pool water sanitary for swimming - as well as to improve the water's taste, odor and clarity - some sort of disinfectant must be used.

Chlorine and bromine are universally approved by health authorities and are accepted disinfecting agents for bacteria control.

### **WHAT IS A DISINFECTANT RESIDUAL?**

When you add chlorine or bromine to the pool water, a portion of the disinfectant will be consumed in the process of destroying bacteria, algae and other oxidizable materials. The disinfectant remaining is called chlorine residual or bromine residual. You can determine the disinfectant residual of your pool water with a reliable test kit, available from your local pool supply store.

You must maintain a disinfectant residual level adequate enough to assure a continuous kill of bacteria or virus introduced into pool water by swimmers, through the air, from dust, rain or other sources.

## CHEMICAL BALANCE, (cont'd.)

It is wise to test pool water regularly. Never allow chlorine residual to drop below 0.6 ppm (parts per million). The minimum level for effective chlorine or bromine residual is 1.4 ppm.

**pH** - The term pH refers to the acid/alkaline balance of water expressed on a numerical scale from 0 to 14. A test kit for measuring pH balance of your pool water is available from your local pool supply store; see [Table 12](#).

Muriatic Acid has a pH of about 0. Pure water is 7 (neutral). Weak Lye solution have a pH of 13-14.

**RULE:** 7.4 to 7.6 is a desirable pH range. It is essential to maintain correct pH, see [Table 12](#).

### If pH becomes too high (over alkaline), it has these effects:

1. Greatly lowers the ability of chlorine to destroy bacteria and algae.
2. Water becomes cloudy.
3. There is more danger of scale formation on the plaster or in the heat exchanger tubing.
4. Filter elements may become blocked.

### If pH is too low (over acid) the following conditions may occur:

1. Excessive eye burn or skin irritation.
2. Etching of the plaster.
3. Corrosion of metal fixtures in the filtration and recirculation system, which may create brown, blue, green, or sometimes almost black stains on the plaster.
4. Corrosion of copper tubes in the heater, which may cause leaks.
5. If you have a sand and gravel filter, the alum used as a filter aid may dissolve and pass through the filter.

**CAUTION:** Do not test for pH when the chlorine residual is 3.0 ppm or higher, or bromine residual is 6.0 ppm or higher. See your local pool supply store for help in properly balancing your water chemistry.

**RULE:** Chemicals that are acid lower pH. Chemicals that are alkaline raise pH.

### ALKALINITY High or Low:

"Total alkalinity" is a measurement of the total amount of alkaline chemicals in the water, and control pH to a great degree. (It is not the same as pH which refers merely to the relative alkalinity/acidity balance.) Your pool water's total alkalinity should be 100 - 140 ppm to permit easier pH control.

A total alkalinity test is simple to perform with a reliable test kit. You will need to test about once a week and make proper adjustments until alkalinity is in the proper range. Then, test only once every month or so to be sure it is being maintained. See your local pool dealer for help in properly balancing the water chemistry.

## WATER CHEMISTRY PARAMETERS

Table 12.

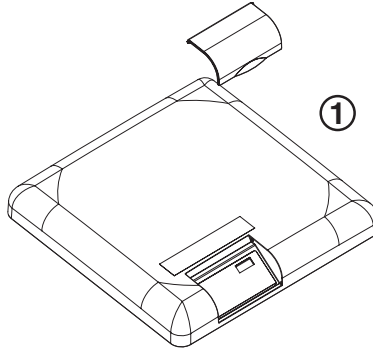
Disinfectant levels	Minimum	Ideal	Maximum
Free Chlorine, ppm	1.0	2.0-4.0	10.0
Combined Chlorine, ppm	None	None	0.2
Bromine, ppm	2.0	4-6	10.0
Other Sanitizers	Levels not established. Consult local health department before use.		
<b>Chemical Values</b>			
pH	7.2	7.4-7.6	7.8
Total Alkalinity (Buffering), ppm as CaCO <sub>3</sub>	60	80-100	180
Total Dissolved Solids, ppm	N/A	N/A	1,500 ppm > TDS at startup*
Calcium Hardness, ppm, as CaCO <sub>3</sub>	150	200-400	500-1,000
Heavy Metals	None	None	None
<b>Biological Values</b>			
Algae	None	None	None
Bacteria	None	None	Refer to Local Code

**NOTICE:** Failure to adhere to the listed water chemistry parameters may result in premature failure of the heat exchanger and will void the warranty.

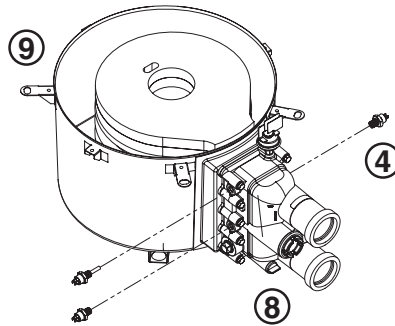
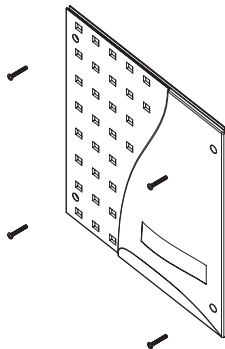
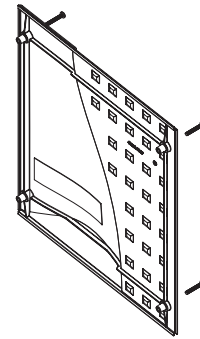
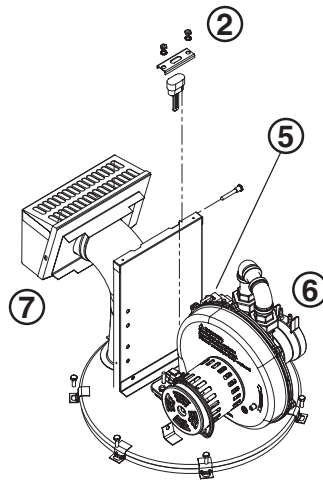
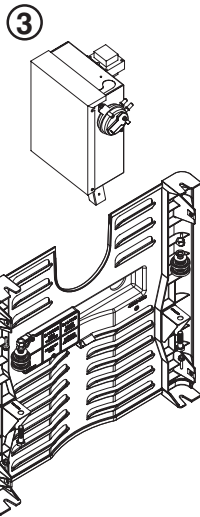
\*Start-up TDS includes source water TDS and any other inorganic salt added at start-up.

## MASTERTEMP REPLACEMENT PARTS

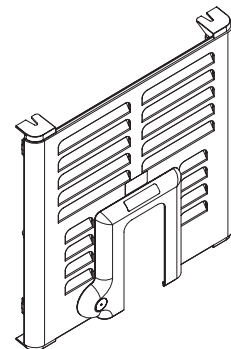
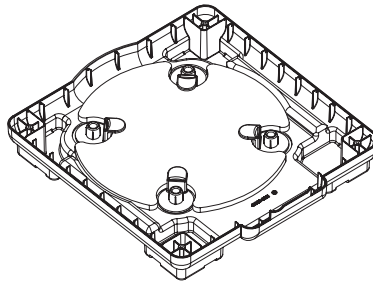
For complete  
Electrical System  
parts breakdown  
(Key Nos. 1 through 4),  
See Page 53



For complete  
Burner System  
parts breakdown  
(Key Nos. 5 through 7),  
See Page 51



For complete  
Water System  
parts breakdown  
(Key Nos. 8 through 9),  
see Page 52

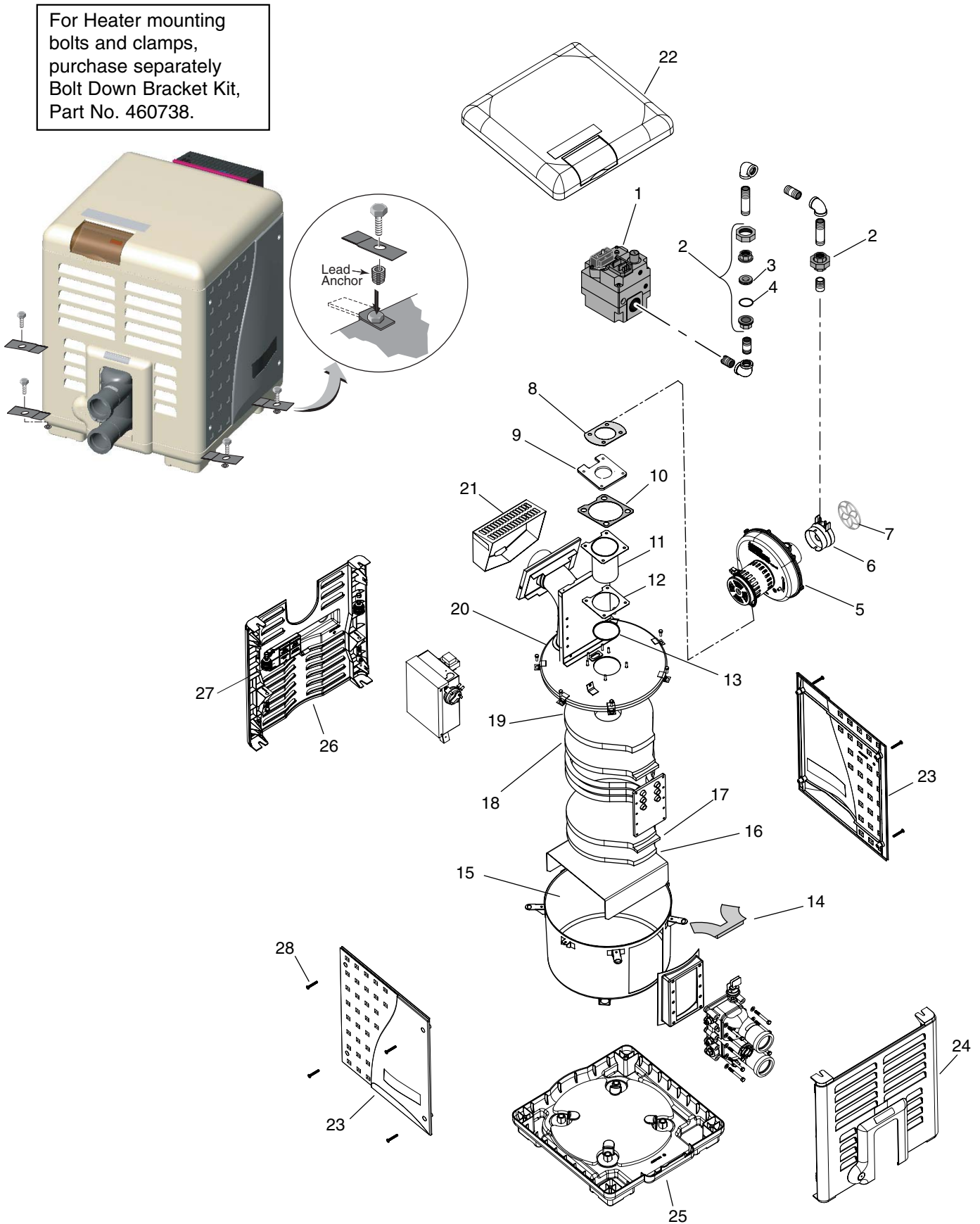


**Repair Parts are available from your Pentair dealer.**

If your dealer cannot supply you, call Customer Support at 1-800-831-7133.

# MASTERTEMP REPLACEMENT PARTS

For Heater mounting bolts and clamps, purchase separately Bolt Down Bracket Kit, Part No. 460738.





# MASTERTEMP REPLACEMENT PARTS

## REPAIR PARTS – BURNER SYSTEM

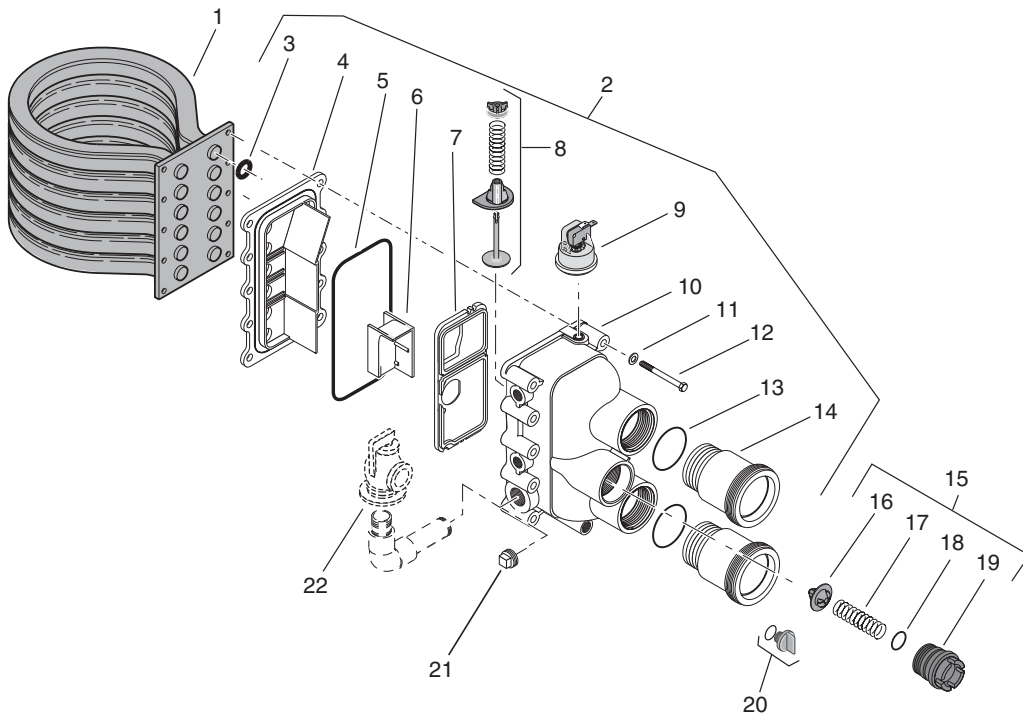
Key No.	Part Description	Qty.	Model				
			175NA 175LP	200NA 200LP	250NA 250LP	300NA 300LP	400NA 400LP
1	Combination Gas Control Valve Kit	1	42001-0051S	42001-0051S	42001-0051S	42001-0051S	42001-0051S
2	3/4" Union	2	38404-4097S	38404-4097S	38404-4097S	38404-4097S	38404-4097S
3	Gas Orifice	1					
4	Gas Orifice O-Ring	1					
•	Gas Orifice Kit – NG (Incl. Key Nos. 3 and 4)†		460794	77707-0431	460739	460753	77707-0411
•	Gas Orifice Kit – Propane (Incl. Key Nos. 3 and 4)†		460795	77707-0461	460740	460754	77707-0441
•	NG to Propane Conversion Kit (Incl. Key Nos. 3 and 4)†		460794	77707-1461	460741	460755	77707-1441
•	Propane to NG Conversion Kit (Incl. Key Nos. 3 and 4)†		460795	77707-1431	460742	460756	77707-1411
5	Air Blower Kit						
	Natural Gas Units	1	77707-0251	77707-0251	460743	460757	77707-0253
	Propane Units	1	77707-0254	77707-0254	460744	460758	77707-0256
•	Air Orifice Kit (Includes Key Nos. 6 and 7)	1	460798	77707-0111	460745	460759	77707-0113
6	Air Orifice	1					
7	Air Orifice Grill	1	42001-0114S	42001-0114S	42001-0114S	42001-0114S	42001-0114S
•	Blower/Adapter Plate Gasket Kit (Includes Key Nos. 8, 9, 10, 12)	1	77707-0011	77707-0011	77707-0011	77707-0011	77707-0011
•	Flameholder Kit (Includes Key Nos. 10, 11, 12, 13 and on 300 & 400 models only - Flameholder Insert)	1	77707-0202	77707-0202	460746	77707-0203	77707-0204
8	Blower/Adapter Plate Gasket	1					
9	Blower Adapter Plate	1					
10	Flameholder/Adapter Plate Gasket	1					
11	Flameholder Assembly	1					
12	Flameholder/Combustion Chamber Gasket*	1					
13	Flameholder Insulation Cap	1					
•	Flameholder Insert	1					
14	Condensate Evaporator Plate	1					
15	One Piece Metal Chamber/Combustion Chamber Assembly	1	42001-0200S	42001-0200S	42001-0200S	42001-0200S	42001-0200S
•	Insulation Kit (Includes Key Nos. 13, 14, 16, 17, 18 and 19)	1	77707-0008	77707-0008	77707-0008	77707-0008	77707-0008
16	Bottom Outer Insulation Blanket*	1					
17	1" Bottom Inner Insulation	1					
18	1" Top Insulation	1					
19	Top Outer Insulation Blanket*	1					
•	Lower Enclosure Insulation	1	42001-0074S	42001-0074S	42001-0074S	42001-0074S	42001-0074S
20	One Piece Metal Elbow/Combustion Chamber Cover Assembly	1	42001-0214S	42001-0214S	42001-0214S	42001-0214S	42001-0214S
21	Metal Vent Cover		42002-0005S	42002-0005S	42002-0005S	42002-0005S	42002-0005S
	Cover Assembly	1	42001-0214S	42001-0214S	42001-0214S	42001-0214S	42001-0214S
22	Heater Top	1	42002-0034Z	42002-0034Z	42002-0034Z	42002-0034Z	42002-0034Z
23	Side Panel {Service Panel}	1	42002-0039	42002-0039	42002-0039	42002-0039	42002-0039
24	Side Panel {Manifold}	1	42002-0033	42002-0033	42002-0033	42002-0033	42002-0033
25	Heater Bottom	1	42002-0031	42002-0031	42002-0031	42002-0031	42002-0031
26	Side Panel {Flue Stack}	1	42002-0032	42002-0032	42002-0032	42002-0032	42002-0032
27	J-Box Cover	1	42002-0041	42002-0041	42002-0041	42002-0041	42002-0041
28	Screw Kit, Panel	1	XXXXXX	XXXXXX	XXXXXX	XXXXXX	XXXXXX

\* Not available separately.

† Not included with heater. Order separately.



## MASTERTEMP REPLACEMENT PARTS



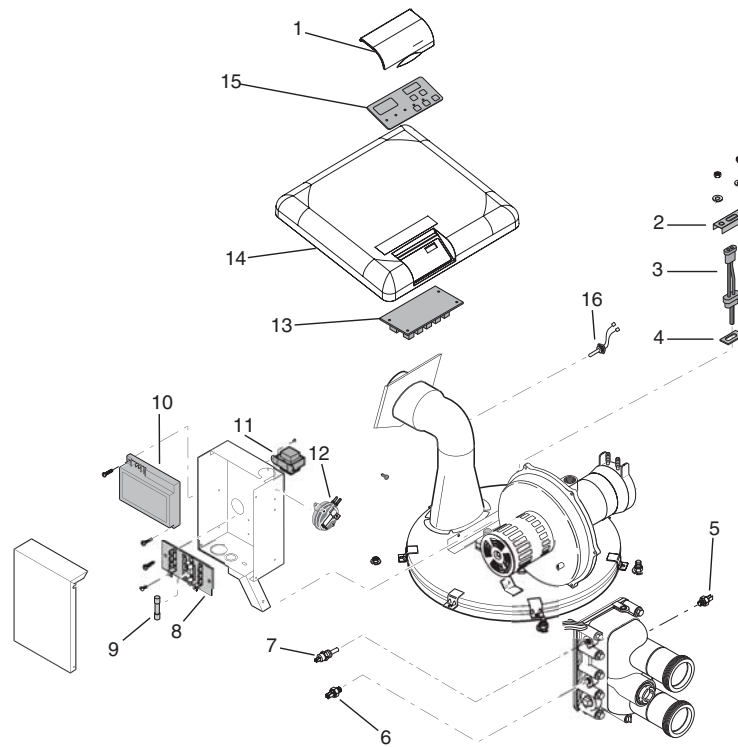
### REPAIR PARTS – WATER SYSTEM

Key No.	Part Description	Qty.	Model			
			175NA - 200NA 175LP - 200LP	250NA 250LP	300NA 300LP	400NA 400LP
1	Tube Sheet Coil Assembly Kit (NA, LP Series) (Includes Key No.3)	1	77707-0232	460747	77707-0233	77707-0234
1	Tube Sheet Coil Assembly Kit (NA – HD Series) (Includes Key No.3)	1	–	473710	–	77707-0244
2	Manifold Kit (Includes Key Nos. 3-14, 21, and Key Nos. 5-7 in "Electrical System", Page 53)	1	77707-0014	460748	77707-0015	77707-0016
3	Coil/Tubesheet Sealing O-Ring Kit	( )	77707-0117(6)	460749(8)	77707-0118(10)	77707-0119(12)
4	Manifold Bottom Plate	1				
5	Manifold O-Ring	1				
•	O-Ring Kit (Incl. Key Nos. 3, 5)	1	77707-0120	77707-0120	77707-0120	77707-0120
6	Manifold Insert*	1				
7	Manifold Baffle Plate	1				
8	Manifold Bypass Valve	1				
9	Water Pressure Switch	1	42001-0060S	42001-0060S	42001-0060S	42001-0060S
10	Manifold	1				
11	5/16" Washer, S.S.	10				
12	5/16x18x2-3/4" Hex Cap screw	10				
13	Connector Tube O-Ring	2				
14	Connector Tube Kit (Includes 1 Connector Tube and 1 O-Ring)	2	77707-0017	77707-0017	77707-0017	77707-0017
15	Thermal Regulator Kit (Incl. Key Nos. 16, 17, 18, 19 and Spring Clip)	1	77707-0010	77707-0010	77707-0010	77707-0010
16	Thermal Regulator (Includes Spring Clip)	1	38000-0007S	38000-0007S	38000-0007S	38000-0007S
17	Thermal Regulator Spring	1				
18	Thermal Regulator Cap O-Ring	1	35505-1313	35505-1313	35505-1313	35505-1313
•	Thermal Regulator Spring Clip	1				
19	Thermal Regulator Cap	1				
20	Drain Plug	1	U178-920P	U178-920P	U178-920P	U178-920P
21	3/4" Pipe Plug	1	U78-60ZPS	U78-60ZPS	U78-60ZPS	U78-60ZPS
22	Pressure Relief Valve (Recommended - Purchase Separately)	1	38674-0719	38674-0719	38674-0719	38674-0719

\* Not available separately.

• Not illustrated.

# MASTERTEMP REPLACEMENT PARTS



## REPAIR PARTS – ELECTRICAL SYSTEM

Key No.	Part Description	Qty.	Model			
			175NA - 200NA 175LP - 200LP	250NA 250LP	300NA 300LP	400NA 400LP
1	Heater Display Cover	1	42002-0035	42002-0035	42002-0035	42002-0035
2	Igniter Bracket	1	42001-0030S	42001-0030S	42001-0030S	42001-0030S
3	Igniter/Igniter Gasket Kit Incl. Key Nos. 3 and 4)	1	77707-0054	77707-0054	77707-0054	77707-0054
4	Igniter Gasket	1	42001-0066S	42001-0066S	42001-0066S	42001-0066S
5	Automatic Gas Shutoff Switch (AGS)	1	42002-0025S	42002-0025S	42002-0025S	42002-0025S
6	High Limit Switch	1	42001-0063S	42001-0063S	42001-0063S	42001-0063S
7	Thermistor	1	42001-0053S	42001-0053S	42001-0053S	42001-0053S
8	Terminal Board	1	42001-0056S	42001-0056S	42001-0056S	42001-0056S
9	Fireman's Switch Fuse (1.25A, 1-1/4")	1	32850-0099	32850-0099	32850-0099	32850-0099
10	Ignition Control Module	1	42001-0052S	42001-0052S	42001-0052S	42001-0052S
11	Transformer, 120/240V	1	42001-0107S	42001-0107S	42001-0107S	42001-0107S
12	Air Flow Switch	1	42001-0061S	42001-0061S	42001-0061S	42001-0061S
13	Control Board Kit (NA, LP Series)	1	42002-0007S	42002-0007S	42002-0007S	42002-0007S
	• Heater Wiring Harness - 120/240V	1	42001-0104S	42001-0104S	42001-0104S	42001-0104S
	• 120/240 Volt Plug Kit	1	42001-0105S	42001-0105S	42001-0105S	42001-0105S
14	Heater, Top	1	42002-0034Z	42002-0034Z	42002-0034Z	42002-0034Z
15	Membrane Pad (NA, LP Series)	1	472610Z	472610Z	472610Z	472610Z
16	Stack Flue Sensor	1	42002-0024S	42002-0024S	42002-0024S	42002-0024S

- Not available separately.
- \* Kit parts not available separately.





## SAVE THESE INSTRUCTIONS

***Pentair Water Pool and Spa, Inc.***

1620 Hawkins Ave., Sanford, NC 27330 • (800) 831-7133 or (919) 566-8000

10951 W. Los Angeles Ave., Moorpark, CA 93021 • (800) 831-7133 or (805) 553-5000



**Pentair**  
***Pool Products***<sup>®</sup>

*Because reliability matters most*<sup>®</sup>

# MasterTemp™

## Chauffe-eau pour Piscine et Spa GUIDE D'INSTALLATION ET D'UTILISATION



**Pentair**  
Pool Products™

Because reliability matters most™

### 120/240 VAC GAZ NATUREL / GAZ PROPANE

MODÈLES	Naturel	Propane
175K BTU/HR	460792	460793
200K BTU/HR	460730	460731
250K BTU/HR	460732	460733
250K BTU/HR (HD)	460806	—
300K BTU/HR	460734	460735
400K BTU/HR	460736	460737
400K BTU/HR (HD)	460805	—
400K BTU/HR (ASME)	460775	460776



Au  
consommateur :  
conserver ce  
guide à titre de  
référence.

### ⚠ AVERTISSEMENT !

#### POUR VOTRE SÉCURITÉ LIRE ATTENTIVEMENT AVANT LA MISE EN MARCHÉ

- Si vous ne suivez pas scrupuleusement les instructions, un incendie ou une explosion peut se déclarer occasionnant des dégâts matériels, des blessures, voire la mort.
- Une mauvaise installation ou adaptation, une altération, une erreur d'entretien ou de maintenance, peut provoquer dégâts matériels, blessures ou mort. Le montage et la mise en service doivent être assurés par un installateur qualifié ou par la compagnie d'approvisionnement en gaz.
- Ne pas stocker ou utiliser le combustible, ou toute autre substance inflammable (gaz ou liquide) à proximité de ce chauffe-eau ou de tout autre appareil électrique.

#### QUE FAIRE EN CAS D'ODEUR DE GAZ ?

- Ne pas tenter d'allumer un appareil électrique.
- Ne toucher à aucun interrupteur, n'utiliser aucun téléphone dans l'enceinte de l'immeuble où vous vous trouvez.
- Contacter immédiatement la compagnie du gaz à partir du téléphone d'un voisin. Suivre les instructions du fournisseur.
- Si vous ne pouvez joindre la compagnie du gaz, contacter les pompiers.

Pour obtenir des exemplaires supplémentaires de ce manuel, contacter le (800) 831-7133.

#### Pentair Water Pool and Spa, Inc.

1620 Hawkins Ave., Sanford, NC 27330 • (919) 566-8000  
10951 W. Los Angeles Ave., Moorpark, CA 93021 • (805) 553-5000

## Service à la clientèle

Pour toutes questions concernant la commande de pièces de remplacement et de produits pour piscine Pentair, voici comment nous contacter.

**Service à la clientèle et Soutien technique (8 h à 5 h (HNE et HNP))**

Tél. : (800) 831-7133

Télec. : (800) 284- 4151

## Site Internet

Visitez le site [www.pentairpool.com](http://www.pentairpool.com) ou [www.staritepool.com](http://www.staritepool.com) pour obtenir plus d'information sur les produits Pentair.

© 2007 Pentair Water Pool and Spa, Inc. Tous droits réservés.

1620 Hawkins Ave., Sanford, NC 27330 • (919) 566-8000  
10951 West Los Angeles Ave., Moorpark, CA 93021 • (805) 553-5000  
293 Wright Street, Delavan, WI 53115 • (262) 728-5551

**Ce document est sujet à tous changements sans préavis.**

**Marques de commerce et avis de non-responsabilité :** Le *logo de Pentair Pool Products* et *MasterTemp* sont des marques de commerce de Pentair Water Pool and Spa, Inc. Les autres marques ou dénominations commerciales utilisées dans ce document pour faire référence aux entités se réclamant de ces marques ou dénominations ou à leurs produits sont la propriété de leurs détenteurs respectifs. Pentair Water Pool and Spa, Inc. déclare n'avoir aucun intérêt dans les marques et noms de produits autres que les siens.

# Table des matières

<b>Section 1. Identification du chauffe-eau .....</b>	<b>4</b>
<b>Section 2. Introduction .....</b>	<b>5</b>
Consignes importantes .....	5
Garantie .....	5
Conformité aux codes .....	6
Information et recommandations à l'intention du consommateur .....	6 - 8
Renseignements généraux .....	8
<b>Section 3. Installation .....</b>	<b>9</b>
Description du chauffe-eau .....	9
Mise en route du chauffe-eau .....	9
Spécifications .....	10
Raccords de plomberie .....	11
Soupapes .....	11
Dérivation manuelle .....	11
Raccordement de la plomberie .....	12
Installation sous le niveau de l'eau .....	12
Raccordements de gaz .....	13
Collecteurs de sédiment .....	13
Dimension des tuyaux de gaz .....	14
Vérification de la pression de gaz/ Exigences en matière de pression de gaz .....	15
Installation extérieure .....	16
Recommandation pour l'installation de ventilation extérieure .....	17
Ventilation intérieure - Exigences générales (Catégorie I et Catégorie III - clarification) .....	18
Dégagement .....	18
Retrait du couvercle de ventilation extérieure .....	18
Admission d'air de combustion .....	19
Émanations corrosives et causes possibles .....	19
Installation des conduites de ventilation (Installation intérieure aux États-Unis; installation extérieure sous abris au Canada) .....	20
Ventilation verticale - Pression négative .....	20 - 22
Ventilation horizontale ou verticale - Pression positive .....	23
Raccordement du tuyau de ventilation de gaz spécial .....	23 - 25
Installation extérieure sous abris .....	26
Installation dans un garage ou salle de rangement .....	26
Positionnement du tableau de commande .....	27
Liste de contrôle d'installation .....	27
Raccordement électrique .....	28
Coupe-circuit/Raccordements de la commande à distance .....	29
Schéma de câblage du MasterTemp .....	30
Diagramme schématique électrique en escalier .....	31
<b>Section 4. Fonctionnement .....</b>	<b>32</b>
Fonctionnement général du système .....	32
Allumage à surface chaude/ Fonctionnement .....	32
Conditions de fonctionnement .....	33
Fermeture de l'arrivée du gaz vers l'appareil .....	33
Commandes de sécurité .....	34 - 36
<b>Section 5. Guide de dépannage .....</b>	<b>37</b>
Dépannage initial et tableau de dépannage .....	37
Dépannage - Chauffe-eau ne démarre pas .....	38 - 41
Témoins de diagnostic DEL .....	42 - 43
Dépannage - Brûleur/Échangeur de chaleur .....	44
<b>Section 6. Entretien .....</b>	<b>45</b>
Consignes d'entretien .....	45
Soupape de surpression .....	45
Après la mise en route .....	46
Utilisation au printemps, en automne et en hiver .....	46
Maintien de la température de l'eau .....	47
Conseil pour économiser de l'énergie .....	47
L'équilibre chimique de l'eau .....	47 - 48
Pièces de remplacement .....	49 - 53



# Identification du Chauffe-eau

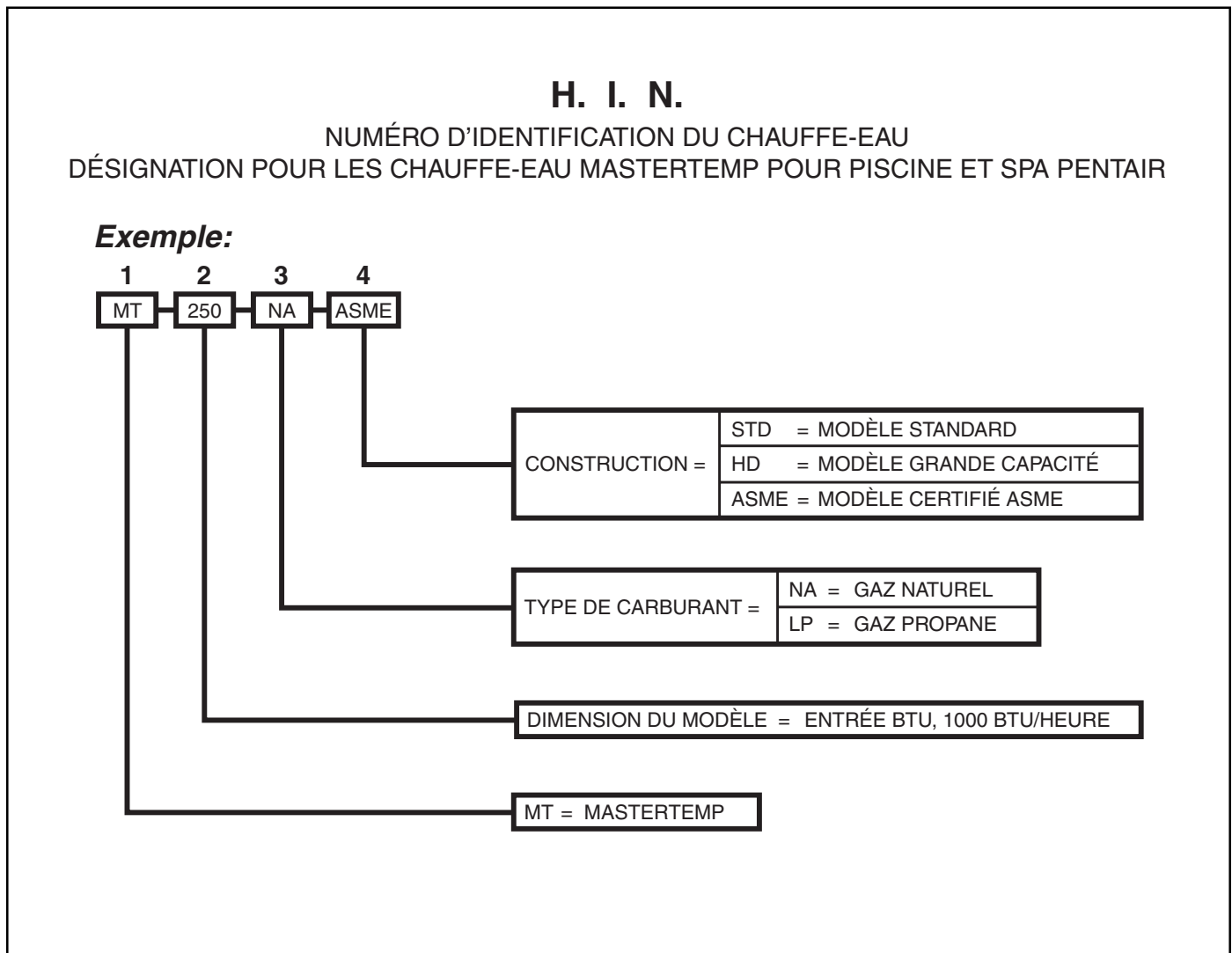
Pour identifier le chauffe-eau, voir la plaque signalétique à l'intérieur du panneau avant de l'appareil. Il y a deux codes indicateurs pour chaque chauffe-eau, le numéro de modèle et le numéro d'identification (HIN).

## a. Numéro d'identification du chauffe-eau (HIN)

L'exemple suivant simplifie le système d'identification :

- 1) **MT** : MasterTemp
- 2) **Taille du modèle** : (175, 200, 250, 300 ou 400) : Consommation thermique (Btu/hr) X 1000
- 3) **Type de carburant** : (LP = Gaz propane ou NA = Gaz naturel)
- 4) **Construction** : (STD = Modèle standard)  
(HD = Modèle grande capacité)  
(ASME = Modèle certifié ASME)

## IDENTIFICATION DU CHAUFFE-EAU — (HIN)



## Introduction

# MasterTemp™

## Chauffe-eau pour piscine et spa

Félicitations pour l'acquisition d'un système de chauffage haute performance MasterTemp. Afin de profiter du nouveau système de chauffage durant des années, suivre les consignes d'installation et d'utilisation, ainsi que les consignes d'entretien et d'équilibre chimique de l'eau. Le MasterTemp est un chauffe-eau haute performance pour piscines et spa compact, léger, efficace, à induction d'air, et fonctionnant au gaz, qui peut être directement relié à la canalisation 40 PVC. Le MasterTemp est également équipé du régulateur de température multifonction Pentair qui montre en un coup d'œil, le bon fonctionnement du chauffe-eau. Tous les chauffe-eau MasterTemp sont conçus avec un module d'allumage à étincelle directe, HSI (allumage en surface chaude), qui supprime le besoin d'une veilleuse permanente. Le MasterTemp requiert une source de courant externe de 120/240 VAC, 60 Hz pour fonctionner.

**CONSIGNES IMPORTANTES POUR L'UTILISATEUR :** Conserver ce guide à titre de référence. Ce guide contient toute l'information nécessaire pour l'installation, le fonctionnement, et l'entretien du chauffe-eau haute performance MasterTemp. L'information contenue dans ce guide s'applique à tous les modèles de la gamme MasterTemp. **LIRE CE GUIDE EN ENTIER**, il est très important que le propriétaire/l'installateur prenne connaissance des notices d'installation et des codes locaux et provinciaux avant de procéder à l'installation du MasterTemp. Son utilisation réduit les appels de service, les risques de blessures, en plus de prolonger la durée de vie du produit. Il est démontré que la plupart des dommages des chauffe-eau sont causés par des installations inadéquates.

## CONSIGNES IMPORTANTES

...À l'attention de l'installateur et de l'utilisateur du chauffe-eau pour piscine et spa MasterTemp. La garantie du fabricant peut être annulée si pour quelque raison que ce soit, le chauffe-eau n'est pas installé ou utilisé comme il se doit. Prendre soin de suivre les instructions décrites ci-après dans ce guide d'utilisation. Pour toute autre information, ou question relative à ce chauffe-eau, contacter Pentair Water Pool and Spa, Inc. au (800) 831-7133.

## GARANTIE

Le chauffe-eau pour piscine MasterTemp est couvert par une garantie limitée. *Les détails sont décrits sur la carte d'enregistrement de garantie qui est incluse avec le produit.* Retourner la carte d'enregistrement de garantie dûment remplie avec le numéro de série qui se trouve sur la plaque signalétique du chauffe-eau.

*Le niveau d'excellence des produits Pentair Water Pool and Spa inclut une politique d'amélioration continue du produit, qui vous permet d'avoir ce chauffe-eau dernier cri. Nous nous réservons le droit de faire des améliorations à même de modifier les caractéristiques du chauffe-eau sans que cela nous oblige à mettre à jour votre équipement actuel.*

**Ces chauffe-eau sont conçus pour le chauffage de l'eau de piscines et de spas qui contiennent du chlore, du brome ou du sel et ne doivent en aucun cas être utilisés comme chaudière ou chauffe-eau domestique. La garantie du fabricant peut être annulée si pour quelque raison que ce soit, le chauffe-eau n'est pas installé ou utilisé comme il se doit. Prendre soin de suivre les instructions décrites ci-après dans ce guide d'utilisation.**

### **⚠ ATTENTION !**

**FAIRE FONCTIONNER CE CHAUFFE-EAU, DE FAÇON CONTINUE, À DES TEMPÉRATURES DE L'EAU INFÉRIEURE À 68 °F, PEUT ENTRAÎNER DES PROBLÈMES LIÉS À LA CONDENSATION ET ENDOMMAGER LE CHAUFFE-EAU, CE QUI POURRAIT ENTRAÎNER L'ANNULATION DE LA GARANTIE. Ne pas utiliser ce chauffe-eau pour protéger les piscines ou spa du gel si la température finale désirée est inférieure à 68 °F, car ceci pourrait entraîner des problèmes liés à la condensation.**

## CONFORMITÉ AUX CODES

L'installation doit être conforme aux codes locaux, et/ou avec la dernière édition du *National Fuel Gas Code, ANSI Z223.1/NFPA54* et le *National Electrical Code, ANSI/NFPA70 (U.S.)*, ou la norme *CSA B149 - INSTALLATION CODES FOR GAS-BURNING APPLIANCES AND EQUIPMENT* et/ou les codes locaux et la norme *CSA C22.1 du Code canadien de l'électricité, 1re partie : norme de sécurité relative aux installations électriques (Canada)*. Le chauffe-eau, une fois installé, doit être raccordé à une mise à la terre et fixé selon les codes locaux ou en l'absence de ces codes, le *Code canadien de l'électricité* ou le *National Electrical Code, ANSI/NFPA70*, selon le cas.



## INFORMATION ET RECOMMANDATIONS À L'INTENTION DU CONSOMMATEUR

### ⚠ AVERTISSEMENT !


La Commission de la sécurité des produits de consommation américaine (Consumer Product Safety Commission) avise que la température élevée de l'eau peut être dangereuse. Voir les recommandations ci-dessous pour le réglage de la température de l'eau.

1. La température des spas et bains tourbillons ne doit jamais dépasser 104 °F (40 °C). Une température de 100 °F (38 °C) est considérée sûre pour un adulte en bonne santé. Une attention toute particulière doit être accordée aux jeunes enfants. L'immersion prolongée en eau chaude peut causer l'hyperthermie.
2. L'absorption de boissons alcoolisées avant ou pendant l'utilisation d'un spa ou d'un bain tourbillon peut provoquer un effet de somnolence puis d'inconscience et par conséquent la noyade.
3. Attention femmes enceintes! L'immersion prolongée dans une eau supérieure à 100 °F peut causer des lésions au fœtus durant les trois premiers mois de la grossesse, (causant ainsi la naissance d'un bébé avec lésions cérébrales ou difforme). Les femmes enceintes doivent s'en tenir à une température maximale de 100 °F (38 °C).
4. Avant d'entrer dans un spa ou un bain tourbillon, l'utilisateur doit vérifier la température à l'aide d'un thermomètre précis. Les thermostats de spa ou de bain tourbillon peuvent donner des températures avec une marge d'erreur allant jusqu'à 4 °F (15 °C).
5. Les personnes présentant des antécédents médicaux de maladies cardiaques, de problèmes circulatoires, de diabète et de troubles de tension artérielle doivent prendre conseil auprès de leur médecin avant d'utiliser les spas ou les bains tourbillon.
6. Les personnes prenant des médicaments entraînant des effets de somnolence, tels que tranquillisants, anti-histaminiques, ou anti-coagulants ne doivent pas utiliser les spas ou les bains tourbillon.

### ⚠ AVERTISSEMENT !


En cas de surchauffe ou si l'arrivée de gaz ne peut être fermée, fermer la soupape manuelle d'arrivée du gaz. Ne pas utiliser ce chauffe-eau si une pièce, quelle qu'elle soit, a pris l'eau. Contacter immédiatement un technicien d'entretien qualifié pour examiner le chauffe-eau et remplacer toute pièce du système de contrôle et du contrôle du gaz qui a pris l'eau.

## INFORMATION CONCERNANT LA SÉCURITÉ


Les chauffe-eau MasterTemp™ sont conçus et fabriqués pour fournir plusieurs d'années de service sécuritaire et fiable, lorsque installés, utilisés et entretenus selon les consignes dans ce guide. Dans ce guide, les mises en garde et les avertissements sont identifiés par le symbole «  ». S'assurer de lire et de respecter toutes les mises en garde et les avertissements.

### AVERTISSEMENT — POUR VOTRE SÉCURITÉ


Ce produit doit être installé et entretenu par un technicien de service professionnel, spécialisé en installation de chauffe-eau pour piscine. Certaines juridictions requièrent que les techniciens en installation soient certifiés. Vérifier auprès des autorités locales pour plus d'information sur les exigences concernant les entrepreneurs. L'installation et/ou l'utilisation incorrecte peuvent générer du monoxyde de carbone dans les gaz de combustion qui sont susceptibles de causer de graves blessures ou la mort. L'installation et/ou l'utilisation incorrecte annuleront la garantie.


 AVERTISSEMENT — **Ce chauffe-eau est équipé d'une soupape de commande de gaz non conventionnelle qui est réglée à l'usine pour recevoir une pression d'admission de -0,2 po (-0,5 cm) CE.** Toute installation, réglage, modification ou entretien inadéquat peut entraîner des dommages matériels, des blessures ou la mort. L'installation et l'entretien doivent être effectués par un technicien qualifié provenant d'un service d'entretien ou du fournisseur de gaz. Si cette soupape doit être remplacée, s'assurer de la remplacer avec une soupape identique.


**Ne pas essayer d'ajuster le débit du gaz en modifiant le réglage du régulateur.**

 AVERTISSEMENT — **Risque d'incendie ou d'explosion si le mauvais type de gaz est utilisé ou si la conversion du chauffe-eau est faite incorrectement.** Ne pas essayer de raccorder un chauffe-eau pour gaz naturel à une admission de gaz propane ou vice versa. Seulement des techniciens de service professionnels spécialisés doivent procéder à la conversion du chauffe-eau d'un gaz à l'autre. Ne pas tenter de modifier le taux d'entrée ou le type de gaz en changeant l'orifice. S'il est nécessaire de convertir le chauffe-eau à un autre type de gaz, consulter un détaillant Pentair. Une défaillance importante du brûleur pourrait entraîner la mort. Tout ajout, modification ou conversion nécessaire pour que l'appareil fonctionne adéquatement pour cet emplacement doit être effectué par un détaillant Pentair ou autre service d'entretien avec des pièces spécifiées et approuvées. Le chauffe-eau est disponible uniquement pour l'installation au gaz naturel ou LP (gaz propane). Il n'est pas conçu pour fonctionner avec d'autres carburants. Se reporter à la plaque signalétique afin de connaître le type de gaz avec lequel le chauffe-eau peut fonctionner.

- Utiliser le chauffe-eau seulement avec le carburant pour lequel il est conçu.
- Si une conversion du type de carburant est nécessaire, référer ce travail à un technicien d'entretien qualifié ou un fournisseur de gaz avant de faire l'installation du chauffe-eau.

 AVERTISSEMENT — **Risque d'incendie ou d'explosion en présence de vapeurs inflammables.** Ne pas ranger d'essence, produits nettoyants, vernis, peintures ou autres liquides volatiles inflammables près du chauffe-eau ou dans la même pièce que le chauffe-eau.

 AVERTISSEMENT — **Risque d'explosion si l'appareil est installé près d'une unité d'emmagasinage de gaz propane.** Le gaz propane (LP) est plus lourd que l'air. Consulter les codes et les autorités locaux pour connaître les exigences et restrictions spécifiques à cette installation. Placer le chauffe-eau loin de l'unité d'emmagasinage et d'approvisionnement de gaz de propane tel que spécifié par la norme Storage and Handling of Liquefied Petroleum Gases, CAN/CSA B149.2 (la dernière édition) ou l'ANSI/NFPA 58 (la dernière édition).

 AVERTISSEMENT — **Risque d'incendie, d'empoisonnement au monoxyde de carbone ou d'asphyxie s'il y a des fuites dans le système d'évacuation.** Uniquement des techniciens de service professionnels spécialisés doivent faire l'entretien du chauffe-eau, comme les fuites d'échappement ou de gaz inflammable peuvent résulter d'un entretien inadéquat.

## INFORMATION CONCERNANT LA SÉCURITÉ (SUITE)



**AVERTISSEMENT** — **Risque d'asphyxie si le système d'évacuation est inadéquat.** Suivre les instructions pour l'installation des conduites d'évacuation à la lettre. Ne pas utiliser de coupe-tirage avec ce chauffe-eau, comme le gaz d'échappement est sous la pression de la soufflerie du brûleur, un coupe-tirage acheminerait ce gaz dans la pièce où se trouve le chauffe-eau. Le chauffe-eau est livré avec un système de ventilation intégral pour une installation extérieure. Une trousse de conversion pour la ventilation (pour les numéros de pièces des trousse de conversion, voir la [page 23](#)) est disponible pour les installations dans les endroits fermés (Canada) ou à l'intérieure (É.-U.). Utiliser uniquement les conduites de ventilation spécifiées, et que les conduites de ventilation spécifiées, pour faire une installation dans un endroit fermé ou à l'intérieur. Au Canada, le chauffe-eau peut être installé uniquement à l'extérieur ou dans un endroit qui est normalement inhabité et qui ne communique pas directement aux endroits habités. Se reporter à la [page 19](#) pour les exigences de ventilation pour une installation dans un endroit fermé.



**ATTENTION** —

**Étiqueter tous les câbles avant de les débrancher pour faire l'entretien des dispositifs de commande. Les erreurs de câblage peuvent nuire au bon fonctionnement et être dangereuses. Les erreurs de câblage peuvent également endommager le tableau de commande.**

- Brancher le chauffe-eau à du **120** ou **240** volts, 60 Hz., uniquement du courant monophasé.
- Après avoir effectué l'entretien, s'assurer que le chauffe-eau fonctionne correctement.
- Ne pas permettre aux enfants de jouer sur ou autour du chauffe-eau ou de l'équipement qui lui est associé.
- Ne jamais permettre aux enfants d'utiliser la piscine ou le spa sans la surveillance d'un adulte.
- Lire et suivre toutes les instructions et mises en garde qui se trouvent dans ce guide d'utilisation avant d'utiliser ce chauffe-eau pour piscine.

## SPÉCIFICATIONS GÉNÉRALES

### NOTICE:

- L'air de combustion contaminée par des vapeurs chimiques corrosives peut endommager le chauffe-eau et entraîner une annulation de la garantie.
- La soupape du gaz multifonction sur ce chauffe-eau diffère des autres commandes de gaz. Si elle doit être remplacée, pour des motifs de sécurité, s'assurer de la remplacer avec une commande de gaz identique.
- Les panneaux d'accès doivent être en place afin de fournir une ventilation adéquate. Ne pas faire fonctionner le chauffe-eau plus de (5) minutes sans les panneaux d'accès en place.
- Ce chauffe-eau a reçu une certification de conception par le CSA International comme de quoi il est conforme à la norme Gas Fired Pool Heaters, ANSI Z21.56/CSA 4.7, et qu'il est conçu pour le chauffage de piscine et spa d'eau douce.
- Le chauffe-eau est conçu pour le chauffage de l'eau de piscine et spa qui contient du chlore, du brome ou salée. Il **NE DOIT PAS** être utilisé comme chaudière ou chauffe-eau pour la maison. Pour fonctionner le chauffe-eau requière une tension secteur monophasée externe de **120** ou **240** VAC.
- Ce chauffe-eau est conçu et certifié par le CSA International en vue d'une installation sur un revêtement combustible. Les dégagements minimum spécifiés doivent être maintenus à partir des surfaces combustibles (voir « Dégagements », [page 18](#)).
- Le chauffe-eau doit être placé où toute fuite provenant de l'échangeur de chaleur ou des conduites ne provoquera aucun dégât au niveau de la surface environnante du chauffe-eau ou de la structure. Lorsqu'on ne peut éviter ce problème, il est recommandé de placer sous le chauffe-eau, un bac de récupération avec un drainage adéquat. Le bac ne doit pas entraver la circulation d'air.
- Le chauffe-eau ne doit pas être installé à moins de 5 pieds (1,5 m) de l'intérieure de la piscine ou spa sauf s'il est séparé par une clôture, mur ou autre barrière permanente.

# Consignes d'Installation

## DESCRIPTION DU CHAUFFE-EAU

La figure 1 est un diagramme démontrant le fonctionnement du chauffe-eau. Des plaques à orifice coordonnées avec précision mesurent l'air et le gaz dans le mélangeur. La soufflerie tire l'air et le gaz dans le mélangeur et les force dans le stabilisateur de la flamme du brûleur. Un échangeur de chaleur scellé entoure le stabilisateur de flamme, évacuant les gazes par la cheminée.

Des tuyaux en PVC de deux pouces pour l'eau se raccordent directement au collecteur sur l'échangeur de chaleur à l'aide de raccords coulissants fourni avec le chauffe-eau. Le collecteur extérieur demeure froid; aucune source froide n'est requise. Un régulateur thermique et une dérivation interne régulent le flux de l'eau à travers l'échangeur de chaleur afin de maintenir la température de l'eau. Le tableau de commande est situé sur le panneau supérieur du chauffe-eau.

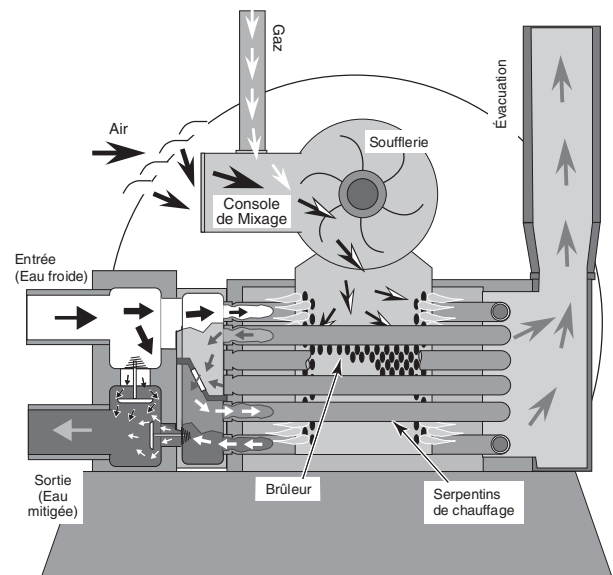


Figure 1.

## SÉQUENCE DES OPÉRATIONS

Un **thermistor** électronique dans l'entrée de l'adaptateur du collecteur commande le chauffe-eau. Lorsque la température d'arrivée d'eau tombe en dessous de la température programmée sur le **tableau de commande**, le **contrôleur de brûleur** alimente la **soufflerie** par un **système de fermeture de sécurité**. Le système de fermeture de sécurité est composé de :

- du **manomètre (PS)** qui détecte le fonctionnement de la pompe,
- l'**interrupteur de haute limite (HLS)**, qui ouvre si la température de sortie de l'échangeur de chaleur est au-dessus de 135 °F (57 °C), et
- l'**interrupteur de débit d'air (AFS)**, qui détecte la baisse de pression de l'orifice du compteur,
- l'**interrupteur d'arrêt automatique du gaz (AGS)**, qui ouvre si la température de sortie l'échangeur de chaleur est au-dessus de 140 °F (60 °C),
- le **détecteur de fumée (SFS)**, qui ferme le chauffe-eau si la température du gaz de combustion atteint 500 °F (260 °C).

L'interrupteur de débit d'air (AFS) détecte la baisse de pression de l'orifice du compteur. Aussitôt qu'il y a un débit d'air adéquat, l'interrupteur de débit d'air se ferme, tout en fermant le circuit de l'**allumeur à surface chaude (HSI)**, qui allume le mélange de combustible. Sur appel de chaleur, la soufflerie et le HSI sont excités. En environ 20 secondes, la soupape de gaz s'ouvre et l'allumage se produit. Le HSI retourne en mode détection et continue de surveiller la flamme.

Le chauffe-eau est équipé d'une commande numérique qui permet à l'utilisateur de programmer la température désirée de l'eau de la piscine et du spa. La commande permet à l'utilisateur de sélectionner entre chauffer la piscine ou le spa, et est dotée d'un affichage numérique qui indique la température de l'eau.

## MISE EN ROUTE DU CHAUFFE-EAU

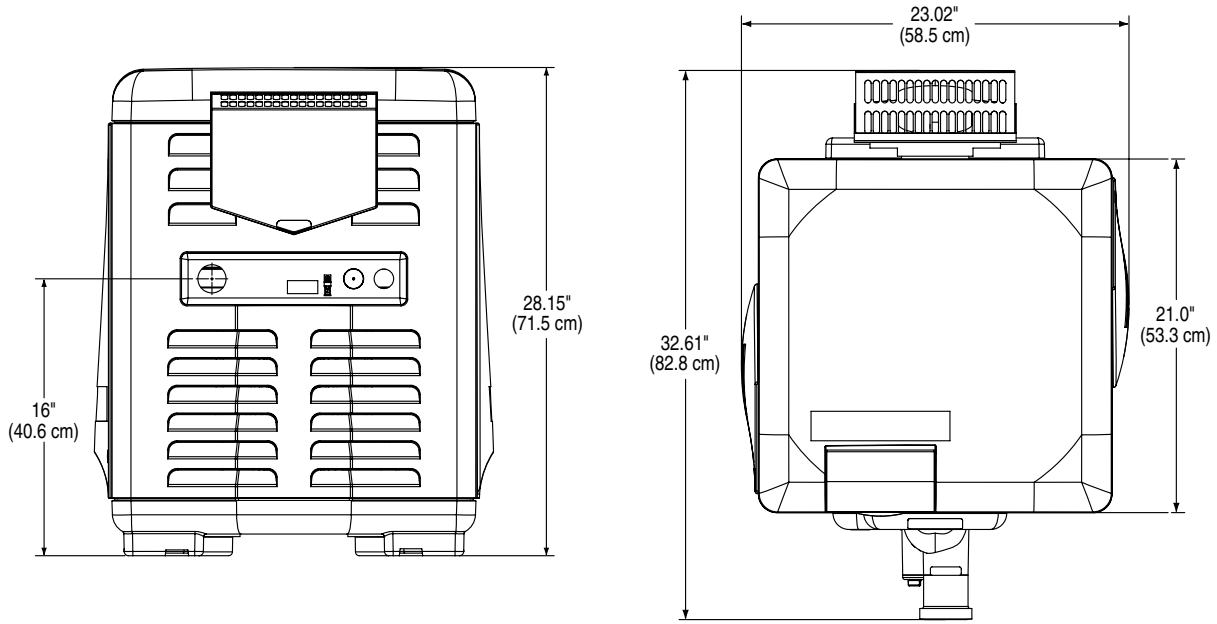
Si le chauffe-eau doit être installé à plus de 2 pi au-dessus du niveau de l'eau, il faut ajuster le réglage du manomètre. Se reporter à la section « MANOSTAT » des COMMANDES DE SÉCURITÉ.

Suivre les consignes de la section « AVANT LA MISE EN ROUTE » (page 32) avant de mettre le chauffe-eau en service pour la première fois. Vérifier le bon fonctionnement du chauffe-eau en suivant les étapes sous la section « CONSIGNES DE FONCTIONNEMENT ».

Tout dommage provoqué par une installation ou réparation inadéquate entraîne l'annulation de la garantie.

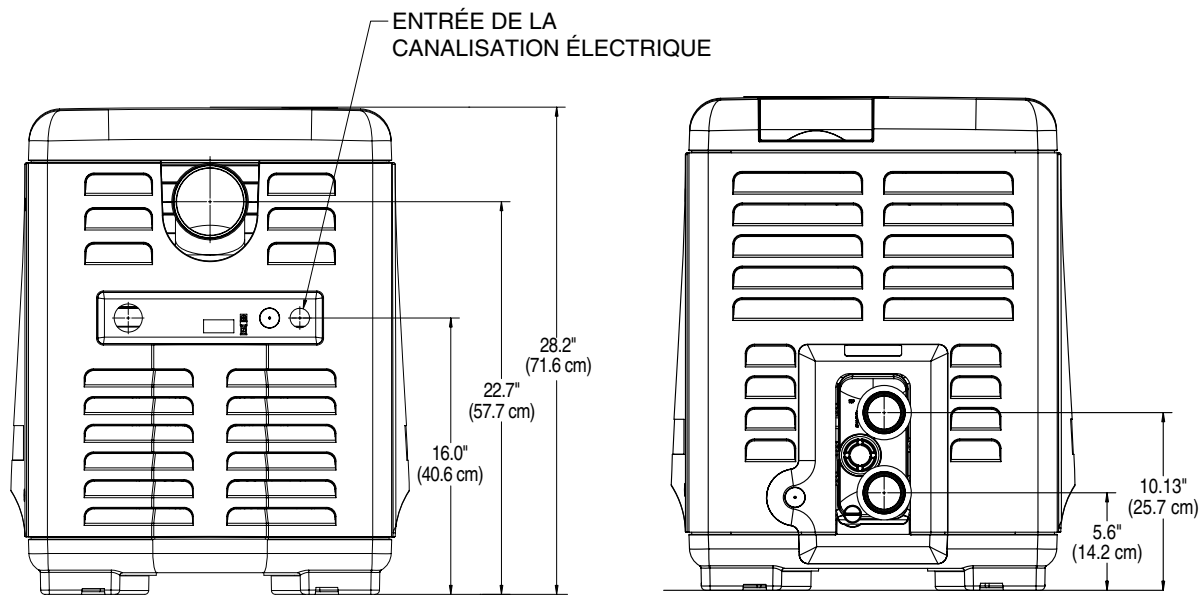
# SPÉCIFICATIONS

Ces consignes de montage sont destinées à être utilisées exclusivement par du personnel qualifié spécialement formé à l'installation de ce type d'équipement de chauffage et de ses composants. Certaines provinces exigent que l'installation et la réparation soient effectuées par un technicien titulaire d'un permis. Si tel est le cas, veiller à ce que le service d'entretien avec lequel vous faites affaire soit dûment autorisé. Voir la [figure 2](#) pour les consignes d'installation extérieure et intérieure.



**DEVANT**

**DESSUS**



**CÔTÉ ÉVACUATION**

**CÔTÉ ENTRÉE D'EAU**

Figure 2.



## RACCORDEMENT DE LA PLOMBERIE

Le chauffe-eau MasterTemp possède la capacité unique de se raccorder directement aux tuyaux de PVC 40. Un ensemble de raccords est compris avec le MasterTemp pour s'assurer de la conformité avec les procédures de raccordement de PVC recommandé par Pentair. D'autres raccords peuvent également être utilisés. Voir la [figure 3](#) pour les raccords de la plomberie.

### ATTENTION

Avant l'utilisation du chauffe-eau sur une nouvelle installation, activer la pompe de circulation et purger l'air du filtre à l'aide de la soupape d'air située au-dessus du filtre. L'eau devrait circuler librement dans le chauffe-eau. Ne pas utiliser le chauffe-eau sauf si l'eau à l'intérieur de la piscine/spa est au niveau requis. Si une soupape de dérivation manuelle est installée, la fermer temporairement pour vous assurer que tout l'air a été purgé du chauffe-eau.

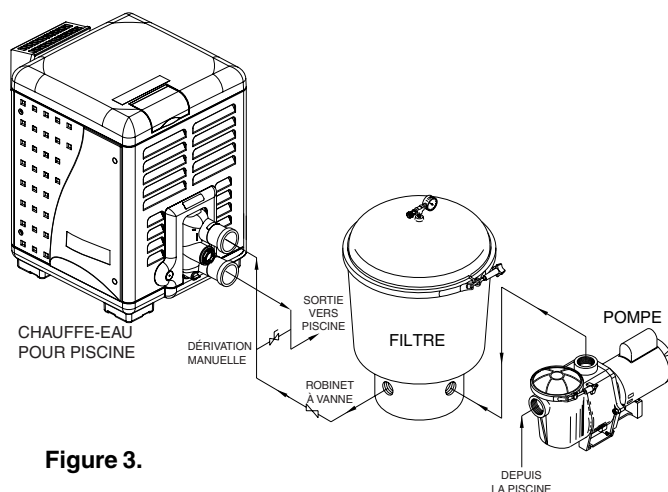


Figure 3.

## SOUPAPES

Lorsqu'un équipement est situé sous le niveau d'eau, les soupapes doivent être placées dans le système de canalisation de circulation pour isoler l'équipement de la piscine ou du spa. Des clapets de non-retour sont recommandés pour éviter tout contre-siphonnement. Le contre-siphonnement se produit le plus fréquemment lorsque la pompe s'arrête, créant ainsi une différence de pression. Ne **PAS** nettoyer la piscine en mettant des rondelles ou des bâtonnets de chlore dans l'écumoire. Lorsque la pompe est hors tension, ceci entraîne une haute concentration de chlore à entrer dans le chauffe-eau, et pourrait corroder l'échangeur de chaleur.

### ATTENTION

L'installation de distributeurs de produits chimiques doit se faire avec le plus grand soin pour éviter tout contre-siphonnement de produits chimiques dans le chauffe-eau, le filtre ou la pompe. Lorsque des distributeurs de produits chimiques sont installés dans la circulation du système de canalisation, il est important de vérifier que la ligne d'apport du distributeur soit en aval du chauffe-eau et qu'elle soit équipée d'une soupape de sécurité anti-corrosion parfaitement étanche (P/N R172288) entre le distributeur et le chauffe-eau.

## DÉRIVATION MANUELLE

Là où le débit d'eau dépasse le taux maximum de 120 GPM, une soupape de dérivation manuelle doit être installée et ajustée. Après l'installation de la soupape, procéder à son réglage pour que le débit soit dans la plage acceptable. Retirer ou verrouiller ensuite la manette pour éviter toute manipulation. Voir la [figure 4](#).

Modèle	Min. (GPM) (LPM)	Max. (GPM) (LPM) *
175	20 (76)	120 (454)
200	20 (76)	120 (454)
250	25 (95)	120 (454)
300	30 (114)	120 (454)
400	40 (152)	120 (454)

\* Il est important que le débit ne dépasse pas le taux maximum recommandé pour la tuyauterie utilisée.

Tableau 1.

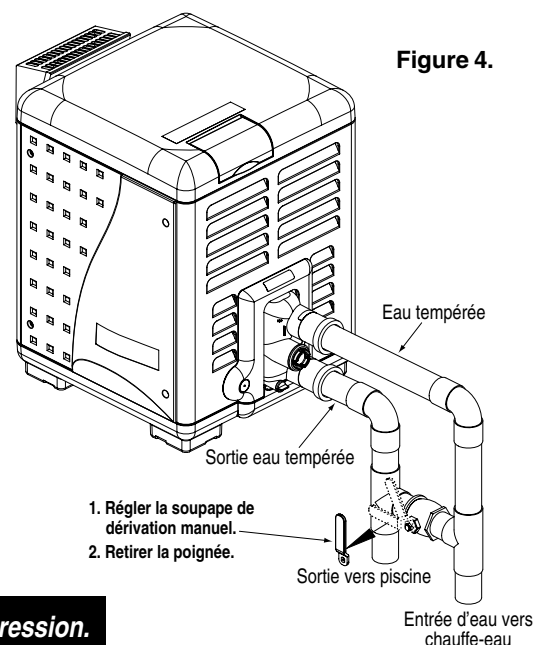


Figure 4.

Voir la page 45 pour les consignes d'installation de la soupape de surpression.

## RACCORDEMENTS DES CONDUITES D'EAU

Pour fonctionner, le chauffe-eau requiert un débit et une pression d'eau adéquate. Voir la [figure 5](#) pour les consignes d'installation. La pompe se décharge dans le filtre, le filtre se décharge dans le chauffe-eau, et le chauffe-eau se décharge directement dans la piscine ou le spa.

Une soupape de dérivation doit être installée lorsque le débit de la pompe excède 120 GPM (454 LPM). Se reporter à la section « TAUX DÉBIT D'EAU », [Tableau 1](#) de la [page 11](#), pour le réglage de la soupape de dérivation.

S'assurer que les conduites provenant du chauffe-eau ne contiennent aucune soupape d'arrêt automatique ou autre réducteur de débit qui pourrait empêcher le flux d'atteindre le chauffe-eau (sauf pour les installations en dessous du niveau de l'eau, où des soupapes d'hivernation sont requises). Pour dériver le flux entre la piscine et le spa, utiliser une soupape de dérivation. Ne pas utiliser de soupape qui peut arrêter le flux. Ne pas utiliser de soupape d'arrêt pour isoler le chauffe-eau, sauf s'il est en dessous le niveau de l'eau de la piscine ou du spa.

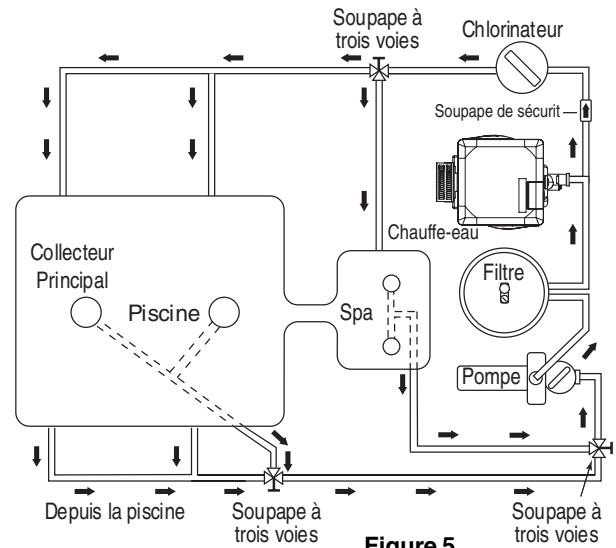


Figure 5.

Installer le chlorinateur de produits chimiques en aval du chauffe-eau. Installer une soupape de non-retour résistante à la corrosion entre le chauffe-eau et le chlorinateur de produits chimiques afin d'éviter tout contre-siphonnage de produits chimiques dans le chauffe-eau lorsque la pompe est hors tension.

**REMARQUE** : Si le chauffe-eau est branché à contre-courant, il recommence continuellement son cycle. Lors de l'installation du chauffe-eau, s'assurer que les conduites provenant du filtre ne sont pas inversées.

Raccorder le chauffe-eau directement aux tuyaux de PVC de 2 po à l'aide des unions intégrés. Aucune eau de refroidissement n'est requise. La faible charge thermique du chauffe-eau prévient le surchauffement des tuyaux branchés à la pompe même si le chauffe-eau se ferme soudainement.

Il arrive qu'une pompe deux temps ne génère pas suffisamment de pression sur le cycle lent pour faire fonctionner le chauffe-eau. Si tel est le cas, utiliser uniquement le cycle élevé de la pompe pour faire fonctionner le chauffe-eau. Si cela ne résout pas le problème, fermer le chauffe-eau. Apporter les corrections nécessaires à l'installation.

Ne pas faire fonctionner le chauffe-eau lorsque le nettoyage automatique fonctionne. Si la pompe de circulation est obstruée, par exemple, par des feuilles, il se peut que le débit au chauffe-eau soit insuffisant. Il ne faut pas se fier au manostat dans ce cas.

## INSTALLATION SOUS LE NIVEAU DE L'EAU

Si le chauffe-eau se trouve sous le niveau de l'eau, le manostat doit être ajusté. L'ajustement doit être effectué par un technicien d'entretien qualifié.

Voir la **ATTENTION** ci-dessous avant l'installation.

### ⚠ ATTENTION

#### INSTALLATION AU-DESSUS OU EN DESSOUS DU NIVEAU DE L'EAU

Le manostat est réglé en usine à 3.00 PSI ( $\pm 0.75$  PSI). Ce réglage est valable pour un chauffe-eau installé au niveau de l'eau. Si le chauffe-eau doit être installé à plus de 1 pi au-dessus ou en dessous, le manostat doit être ajusté par un technicien d'entretien qualifié. Voir la [figure 34](#) à la [page 29](#).

#### INTERRUPTEUR DE DÉBIT

Si le chauffe-eau doit être installé à plus de 5 pi au-dessus ou à 4 pi en dessous du niveau de l'eau, le manostat ne fonctionnera pas et un interrupteur de débit doit être installé. Placer et installer l'interrupteur de débit à l'extérieur, sur le tuyau d'évacuation relié au chauffe-eau, et aussi près que possible du chauffe-eau. Brancher les fils de l'interrupteur de débit à la place des fils du monostat.

## RACCORDEMENTS DE GAZ

### INSTALLATIONS DE LA CONDUITE DE GAZ

Avant d'installer la conduite de gaz, vérifier le type de gaz pour lequel le chauffe-eau a été conçu. Ceci est important, car différents types de gaz nécessitent des tailles de conduites différentes. La plaque signalétique sur l'appareil indique le type de gaz à utiliser pour ce chauffe-eau. Les tableaux, en page 14, indiquent la taille de tuyau nécessaire pour couvrir la distance du compteur à gaz au chauffe-eau. Le tableau donne des indications valables pour le gaz naturel à une gravité spécifique de 0,65 et le propane à une gravité spécifique de 1,55.

Lors de la mesure des conduites de gaz, trois (3) pieds (90 cm) supplémentaires de tuyaux doivent ajouter pour chaque coude utilisé. En installant les conduites de gaz, éviter d'y faire pénétrer poussière, graisse ou tout autre corps étranger dans le tuyau, cela peut endommager la soupape de gaz et entraîner une défaillance du chauffe-eau.

*Le compteur à gaz doit être vérifié afin d'assurer qu'il fournit suffisamment de gaz au chauffe-eau et à tout autre appareil qui pourrait être utilisé sur le même compteur. La conduite de gaz du compteur est habituellement de plus grande dimension que la soupape de gaz fournie avec le chauffe-eau. Par conséquent, la réduction de cette conduite s'avérera nécessaire. Faire cette réduction aussi près du chauffe-eau que possible.*

Le chauffe-eau requière une arrivée de gaz de pas moins que 4 po (10,2 cm) CE et pas plus que 14 po (35,6 cm) CE. Un taux de pression d'admission en dessous ou en deçà de cette plage peut entraîner un mauvais fonctionnement du brûleur. Un débit minimum ou une pression d'entrée dynamique (lorsque le chauffe-eau est en marche) de 4 pouces (10,2cm) CE est nécessaire pour maintenir une consommation thermique dont la chute de pression n'exécède pas 2 pouces entre la statique et la dynamique. L'installation doit être conforme au *National Fuel Gas Code, ANSIZ223.1* ou *CSA B149.1, Natural Gas and Propane Installations Codes*, selon le cas et aux codes locaux. Installer une soupape d'arrêt manuel et un collecteur de sédiment avec un raccord union à l'extérieur des panneaux du chauffe-eau, voir la figure 6. Ne pas utiliser un robinet de gaz restrictif. Les dimensions minimums suivantes sont recommandées pour les conduites de gaz naturel, se reporter au Tableau 2 de la page 14. Pour le gaz propane, les dimensions des tuyaux peuvent être réduites de 1/4 po, avec un minimum de 1/2 po. S'assurer qu'elles soient conformes aux codes locaux.

Le chauffe-eau, et tout autre appareil fonctionnant au gaz, doit être débranché du système d'arrivée de gaz lors de toute vérification de la pression du système de gaz (plus grand que 1/2 PSIG). Le chauffe-eau et sa connexion au gaz doivent être vérifiés contre des fuites avant de mettre le chauffe-eau en marche. **Ne pas utiliser de flamme pour tester la conduite de gaz.** Utiliser de l'eau savonneuse ou autre méthode non inflammable.

#### REMARQUE

Une soupape d'arrêt manuelle principale doit être installée en externe par rapport au chauffe-eau.

### ⚠ AVERTISSEMENT

**NE PAS INSTALLER L'UNION DE LA CONDUITE DE GAZ À L'INTÉRIEUR DU CAISSON DU CHAUFFE-EAU.  
CECI POURRAIT ENTRAÎNER L'ANNULATION DE LA GARANTIE.**

### COLLECTEURS DE SÉDIMENT

Installer un collecteur de sédiment et un raccord union à l'extérieur des panneaux du chauffe-eau conformément aux codes locaux. Ne pas utiliser un robinet de gaz restrictif. Le collecteur de sédiment doit être un raccord en T avec un raccord fileté doté d'un couvercle amovible dans la sortie du bas pour le nettoyage, tel que démontré dans la figure 6, ou tout autre dispositif reconnu pour être efficace contre le sédiment. Toute installation de conduite de gaz doit être vérifiée afin de s'assurer qu'elle est conforme avec les codes locaux.

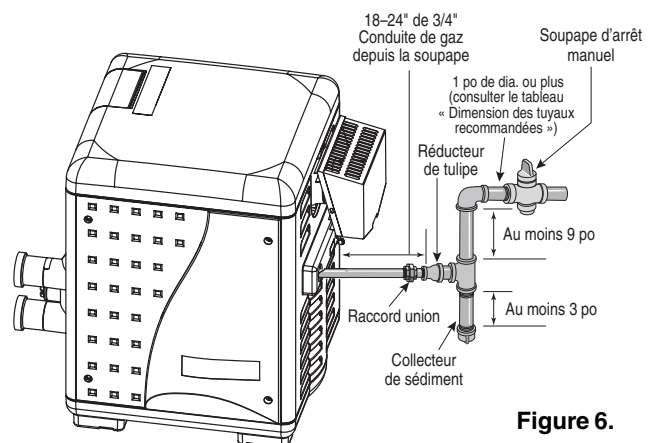


Figure 6.

## DIMENSION DES TUYAUX DE GAZ

Tableau 2.

DIMENSION DES TUYAUX POUR CONDUITES DE GAZ														
LONGUEUR MAXIMUM ÉQUIVALENTE DE TUYAU (pi)														
Gaz naturel à 1000 B.T.U. par pied cube														
Gaz propane à 2500 B.T.U. par pied cube														
MODÈLE	1/2"		3/4"		1"		1-1/4"		1-1/2"		2"		2-1/2"	
	NAT	PRO	NAT	PRO	NAT	PRO	NAT	PRO	NAT	PRO	NAT	PRO	NAT	PRO
175	-	20'	30'	80'	125'	250'	450'	600'	-	-	-	-	-	-
200	-	20'	30'	80'	125'	250'	450'	600'	-	-	-	-	-	-
250	-	10'	20'	50'	70'	150'	250'	500'	600'	-	-	-	-	-
300	-	-	10'	30'	50'	100'	200'	350'	400'	600'	-	-	-	-
400	-	-	-	10'	20'	60'	100'	150'	200'	450'	400'	-	-	-

### RÉGULATION DU GAZ PROPANE EN DEUX PHASES POUR INSTALLATIONS RÉSIDENIELLES

Dans plusieurs installations de conduite de propane résidentielle, le fournisseur de gaz et/ou l'installateur utilisera un procédé de régulation en deux phases qui consiste tout d'abord à installer la 1<sup>re</sup> phase du régulateur de gaz à la citerne, à une pression plus élevée, habituellement 10 PSI. Une pression plus élevée permet de couvrir une plus grande distance avec un tuyau plus petit. Puis, à une courte distance du chauffe-eau, habituellement à environ 24 pouces, ils installeront un second régulateur, la seconde phase, qui sera réglé à la pression d'entrée requise pour le chauffe-eau.

Voir les « Tables des spécifications concernant la pression de gaz »

Dimension des tuyaux de gaz à « haute pression » 1 <sup>re</sup> phase			
10 PSI @ 2500 B.T.U. Par pied cube pi			
LONGUEUR MAXIMUM ÉQUIVALENTE DE TUYAU			
Modèle	0 à 50 pi	50 à 100 pi	100 à 150 pi
175 jusqu'à 400	1/2 po	1/2 po	1/2 po

Tableau 3.

Dimension des tuyaux de gaz à « basse pression » 2 <sup>ème</sup> phase		
2 <sup>ème</sup> phase réglée à 14 po CE		
LONGUEUR MAXIMUM ÉQUIVALENTE DE TUYAU		
Modèle	0 à 10 pi	10 à 20 pi
175 jusqu'à 400	3/4 po	3/4 po

Tableau 4.

### RÉGULATION DU GAZ NATUREL EN DEUX PHASES POUR INSTALLATIONS RÉSIDENIELLES

Dans plusieurs installations de conduites de gaz naturel résidentielles, le fournisseur de gaz et/ou l'installateur utilisera un procédé de régulation en deux phases qui consiste tout d'abord à installer la 1<sup>re</sup> phase du régulateur de gaz à l'entrée principale, à une pression plus élevée. Une pression plus élevée, généralement réglée à 2 psi ou 5 psi, permet de couvrir une plus grande distance avec des tuyaux de plus petite dimension. Puis, à une courte distance du chauffe-eau, habituellement à environ 24 pouces, ils installeront un second régulateur, la seconde phase. Ce second régulateur sera réglé à la pression d'entrée minimale requise pour le fonctionnement du chauffe-eau. Pour les chauffe-eau pour piscine de Pentair, le minimum est de 7 pouces CE.

Voir les « Tables des spécifications concernant la pression de gaz »

Dimension des tuyaux de gaz à « haute pression » 1 <sup>re</sup> phase			
2 PSI @ 1000 B.T.U. Par pied cube pi			
LONGUEUR MAXIMUM ÉQUIVALENTE DE TUYAU			
Modèle	0 à 50 pi	50 à 100 pi	100 à 150 pi
175 jusqu'à 300	1/2 po	1/2 po	1/2 po
400	3/4 po	3/4 po	3/4 po
5 PSI @ 1000 B.T.U. Par pied cube pi			
175 jusqu'à 400	1/2 po	1/2 po	1/2 po

Tableau 5.

Dimension des tuyaux de gaz à « basse pression » 2 <sup>ème</sup> phase		
2 <sup>ème</sup> phase réglée à 7 po CE		
LONGUEUR MAXIMUM ÉQUIVALENTE DE TUYAU		
Modèle	0 à 10 pi	10 à 20 pi
175 jusqu'à 300	3/4 po	3/4 po
400	3/4 po	1 po
2 <sup>ème</sup> phase réglée à 7 po CE		
175 jusqu'à 400	3/4 po	1 po

Tableau 6.

## VÉRIFICATION DE LA PRESSION DE GAZ

Le chauffe-eau et les raccordements au gaz doivent être vérifiés contre les fuites avant de mettre le chauffe-eau en marche. **NE PAS utiliser de flamme pour tester la conduite de gaz.** Vérifier tous les raccordements de gaz contre des fuites avec une eau savonneuse.

Le chauffe-eau et la soupape d'arrêt manuel doivent être débranchés du système d'arrivée de gaz lors de toute vérification de la pression du système de gaz (plus grande que ½ psig ou 3,5 kPa).

Isoler le chauffe-eau du système d'alimentation en gaz en fermant sa soupape d'arrêt manuel pendant toute la durée des essais de pression du système de canalisation de gaz lorsque celle-ci est égale à ou inférieure à ½ psig (3,5 kPa).

### VÉRIFICATION DE LA PRESSION DE GAZ À L'AIDE DE LA SOUPAPE DE GAZ MULTIFONCTIONS

#### ⚠ AVERTISSEMENT

Tout installation, réglage, modification ou entretien inadéquat de la soupape du gaz multifonction peut entraîner **des risques d'incendie ou d'explosion**, causant des dommages matériels, des blessures ou la mort. Si s'avère nécessaire de faire l'ajustement de la soupe de gaz, seul un technicien qualifié doit le faire. **Ces directives sont destinées à être utilisées exclusivement par un technicien qualifié.**

Cet appareil est équipé d'une soupape de commande de gaz non conventionnelle qui est réglée à l'usine pour recevoir une pression d'admission de -0,2 po (-0,5 cm) CE. L'installation et l'entretien doivent être effectués par un technicien qualifié provenant d'un service d'entretien ou du fournisseur de gaz. Si cette soupape doit être remplacée, s'assurer de la remplacer avec une soupape identique.

La soupape de gaz multifonctions est dotée de soupapes d'arrêt double et d'un régulateur de pression négative. Pour un fonctionnement adéquat, la pression régulée à la sortie du collecteur de la soupape doit être de -0,2 po (-0,5 cm) CE en dessous de la pression référencée à l'entrée du mélangeur et de la soufflerie, et le robinet de la soupape de gaz « VENT » doit être raccordé au couvercle de l'orifice d'air, tel qu'indiqué dans la [figure 7](#).

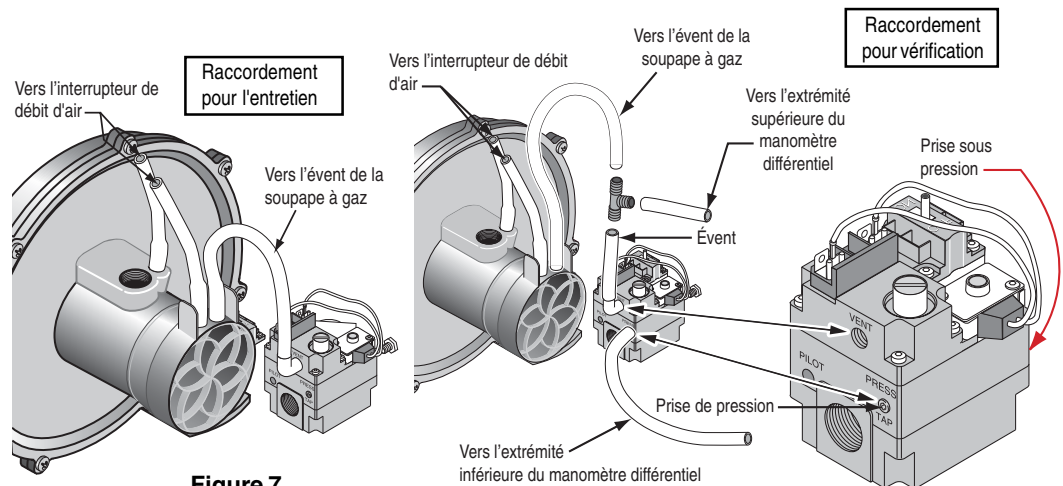


Figure 7.

**Ne pas essayer d'ajuster l'admission du gaz en modifiant le réglage du régulateur. Le réglage approprié du régulateur de gaz est requis afin de maintenir une combustion adéquate et NE DOIT PAS être modifié.**

#### ⚠ ATTENTION !

L'utilisation de raccords flexibles (FLEX) n'est PAS recommandée sauf s'ils respectent les dimensions recommandées par le fournisseur pour la catégorie de chauffe-eau.

### EXIGENCES EN MATIÈRE DE PRESSION DE GAZ

Pression de gaz	Modèle	Naturel	Propane
		Pouce CE	
Pression maximum en arrivée	MT	14	14
Pression minimum en arrivée	MT	4	4
Collecteur	MT	-0.2 ± 0.1	-0.2 ± 0.1

**Note :** Toutes les lectures doivent être prises lorsque le chauffe-eau est en fonction. Tout réglage ou lecture faite lorsque le chauffe-eau est hors tension résultera en des problèmes de performance.

Tableau 7.



## INSTALLATION EXTÉRIEURE (É.-U. et Canada)

Installation extérieure du chauffe-eau à l'aide du système de ventilation sans cheminée intégré.

### ⚠ AVERTISSEMENT

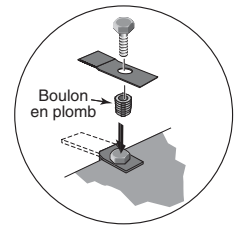
**Risque d'explosion si un appareil au gaz propane est installé dans une cavité ou dans un endroit plus bas.** Le gaz propane est plus lourd que l'air. Ne pas installer de chauffe-eau au propane dans une cavité ou dans un endroit où le gaz pourrait s'accumuler. Consulter le code du bâtiment local afin de déterminer les exigences et les restrictions concernant l'installation de chauffe-eau relatif aux unités d'emmagasinement et d'approvisionnement de gaz de propane. L'installation doit répondre aux exigences spécifiées par la norme Storage and Handling of Liquid Petroleum Gases, ANSI/NFPA 58 (la dernière édition) aux États-Unis, ou CAN/CSA B149.2 (la dernière édition) au Canada. Consulter les codes et les autorités locaux pour connaître les exigences et restrictions spécifiques à cette installation.

Le chauffe-eau doit être placé dans un endroit adéquat, sur un sol au niveau et qui est protégé des écoulements d'eau. Installer le chauffe-eau dans un endroit où les feuilles et autres débris ne s'amasseront pas sur ou autour du chauffe-eau.

Le chauffe-eau doit être installé de façon à protéger de l'eau les composantes électroniques (système d'irrigation, gouttière, tuyau d'arrosage, etc.). Éviter tout environnement humide ou salé.

Sous des conditions climatiques extrêmes, il est préférable de fermer le chauffe-eau et de débrancher l'alimentation électrique jusqu'à ce que les conditions redeviennent modérées. Dans les endroits susceptibles aux ouragans ou aux grands vents, acheter l'ensemble d'ancrage, P/N 460738.

Pour les vis et colliers de montage du chauffe-eau, acheter le jeu de fixation de support, No. de pièce 460738.



## DÉGAGEMENT – INSTALLATION EXTÉRIEURE

### IMPORTANT!

- Pour une installation extérieure, il est important de s'assurer que l'eau est déviée des corniches par un système de gouttière ou de drainage adéquat. Le chauffe-eau doit être placé sur une fondation au niveau afin d'assurer un drainage adéquat.
- L'appareil ne doit pas fonctionner à l'extérieur à des températures inférieures à -20 °F (-28 °C).

Si le chauffe-eau est installé sous un surplomb de toit ou de deck, il doit y avoir un dégagement d'au moins 3 pi (1 m) à partir du sommet du chauffe-eau, voir la **figure 8**. Si le chauffe-eau est installé sous en un surplomb de toit ou deck, il doit être dégagé sur trois côtés.

Pour les recommandations concernant le dégagement minimum des conduites d'évacuation, voir la **figure 9**, page 17.

Au Canada, le dessus de la hotte de ventilation du chauffe-eau doit être placé à au moins 10 pieds (3 m) en dessous ou à côté de toute porte ou fenêtre.

Orienter le chauffe-eau de manière à ce que les raccordements de plomberie, de gaz et électriques soient facilement accessibles.

Installer le chauffe-eau à au moins 18 po (45 cm) de la limite de propriété.

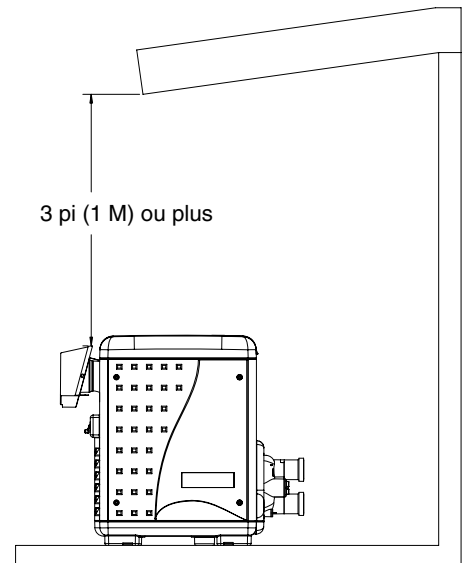
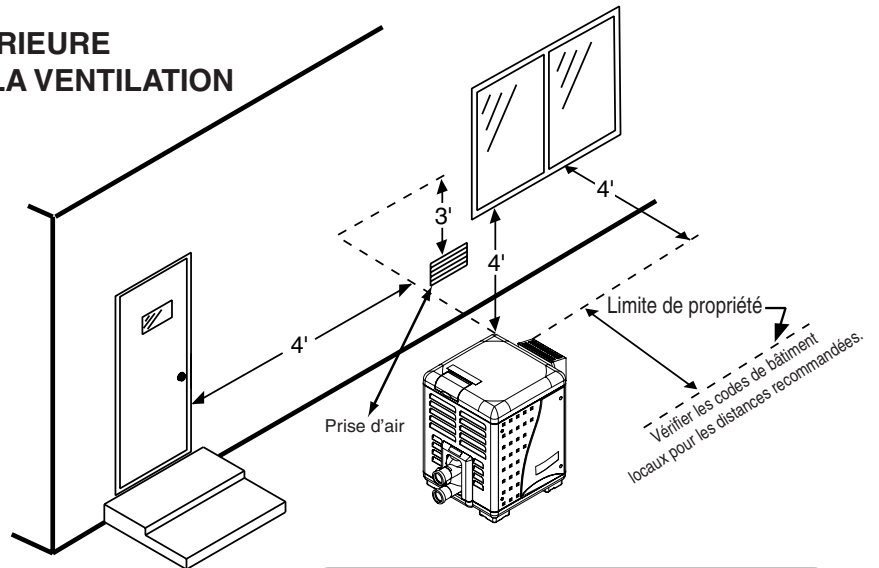
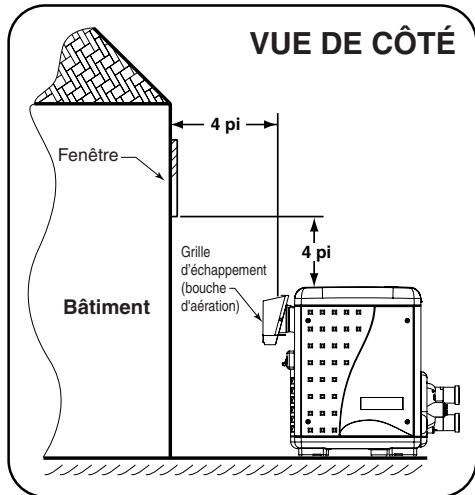


Figure 8.

### ⚠ ATTENTION

Si le chauffe-eau doit être installé à proximité d'un appareil de climatisation ou d'une thermopompe, prévoir un dégagement minimum de 36 po (91,4 cm).

## INSTALLATION EXTÉRIÈRE RECOMMANDATIONS POUR LA VENTILATION



### Terminaison de la ventilation :

- Doit être à au moins 3 pi d'une quelconque prise d'air extérieure située dans un rayon de 10 pi.
- Doit être placé à 4 pieds du mur du bâtiment et les distances suivantes doivent être respectées autour de quelconques portes, fenêtres ou entrées gravitationnelles :
  - 4 pi en dessous,
  - 4 pi (1,20 m) à l'horizontal

**Figure 9.**

## VENTILATION INTÉRIEURE - Exigences Générales

**Le chauffe-eau peut être installé en tant qu'appareil de « catégorie I » ou « catégorie III ».**

### Appareil électrique avec système d'évacuation (Catégorie I) – Vertical seulement

Un appareil qui fonctionne avec une pression statique à ventilation non positive et une température de ventilation du gaz qui évite la production de condensation dans la conduite, voir page 20-22.

### Appareil électrique avec système d'évacuation (Catégorie III) – Vertical ou Horizontal

Un appareil qui fonctionne avec une pression statique à ventilation *positive* et une température de ventilation du gaz qui évite la production excessive de condensation dans la conduite, voir page 23-25.

Si ce chauffe-eau doit être raccordé à un système d'évacuation existant, il faut s'assurer que le système d'évacuation est conforme aux exigences d'évacuation tel qu'indiqué dans ce guide, aux pages 18 à 27. Sinon, il faut remplacer le système d'évacuation. **NE PAS** utiliser de coupe-tirage avec ce chauffe-eau.

Le tuyau de ventilation doit être du même gabarit ou plus grand. Les chauffe-eau MasterTemp sont capables de rotation de débit à 270 degrés et de fonctionner avec une pression statique à ventilation positive et une température de ventilation du gaz à moins de 400 °F. La longueur totale du parcours à l'horizontale ne doit pas excéder la longueur mentionnée plus bas dans la **tableau 11** sur la page 23.

## DÉGAGEMENT - EXIGENCES GÉNÉRALES

### **INSTALLATION INTÉRIEURE (É.-U.) OU INSTALLATION EXTÉRIEURE SOUS ABRIS (CANADA)**

Les distances suivantes doivent être observées des surfaces combustibles :

<b>DESSUS</b> .....	<b>6 po (15 cm)</b>
<b>CÔTÉ ÉVACUATION</b> .....	<b>6 po (15 cm)</b>
<b>CÔTÉ COLLECTEUR</b> .....	<b>6 po (15 cm)</b>
<b>PANNEAUX D'ACCÈS†</b> .....	<b>6 po (15 cm)</b>

**Remarque (†)** À des fins d'entretien, il est conseillé d'allouer suffisamment d'espace autour d'une des portes d'accès. Le chauffe-eau est certifié par CSA International pour convenir à l'installation sur un plancher inflammable. Pour une installation sur tapis, le chauffe-eau doit être placé sur un panneau de tôle ou de bois qui dépasse d'au moins de trois pouces (10 cm) la base du chauffe-eau. Si le chauffe-eau est installé dans un placard ou en alcôve, le plancher en entier doit être recouvert par le panneau. Pour une installation extérieure sous abris, les résidus de combustion sortent par une conduite d'évacuation. Orienter le chauffe-eau pour que la conduite d'évacuation n'entrave pas l'accessibilité des commandes. Le tableau de commande sur le dessus du panneau supérieur peut être positionné sur n'importe quel côté du chauffe-eau pour plus d'accessibilité. Cependant, le tableau de commande ne doit pas être placé du côté de la conduite d'évacuation.

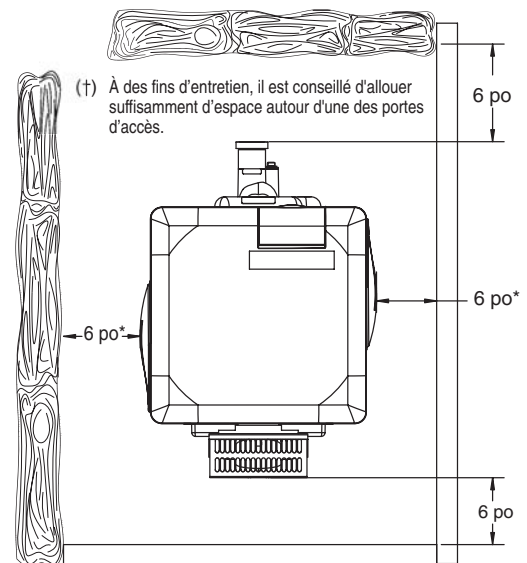


Figure 10.

### **RETRAIT DU COUVERCLE DE VENTILATION EXTÉRIEURE**

Le chauffe-eau est doté d'un système de ventilation sans cheminée intégré pour installation extérieure. Il faut retirer le couvercle de ventilation extérieure pour une installation sous abris.



## ADMISSION D'AIR DE COMBUSTION

Pour l'installation intérieure, le chauffe-eau doit être placé dans un endroit où l'approvisionnement d'air est adéquat pour la combustion et la bonne ventilation de l'air environnant.

Il est nécessaire que la pièce où le chauffe-eau est installé soit approvisionnée par deux entrées d'approvisionnement d'air permanentes; une située à 12 pouces (30 cm) du plafond, et l'autre à 12 pouces (30 cm) du planché, conformément avec la dernière version de la norme ANSI Z223.1, ou au National Fuel Gas Code, la CSA B149, Natural Gas and Propane Installation Codes, selon le cas, et les codes locaux pertinents. Ces entrées doivent, directement ou par conduit, être reliées à l'air extérieur du bâtiment.

*Pentair Water Pool and Spa, Inc. ne recommande pas les installations intérieures qui ne permettent pas l'admission d'air de combustion provenant de l'extérieur du bâtiment.*

### Guide sur les exigences pour l'approvisionnement d'air pour les chauffe-eau MasterTemp

Emplacement non obstrué minimum pour chaque ouverture* (Pouces Carrés/Centimètres)				
Modèle	Tout l'air provenant de l'immeuble		Tout l'air provenant de l'extérieur de l'immeuble	
	Combustion	Évent	Combustion	Évent
175	200 po <sup>2</sup> 1290 po <sup>2</sup> cm	200 po <sup>2</sup> 1290 po <sup>2</sup> cm	50 po <sup>2</sup> 323 po <sup>2</sup> cm	50 po <sup>2</sup> 323 po <sup>2</sup> cm
200	200 po <sup>2</sup> 1290 po <sup>2</sup> cm	200 po <sup>2</sup> 1290 po <sup>2</sup> cm	50 po <sup>2</sup> 323 po <sup>2</sup> cm	50 po <sup>2</sup> 323 po <sup>2</sup> cm
250	250 po <sup>2</sup> 1613 po <sup>2</sup> cm	250 po <sup>2</sup> 1613 po <sup>2</sup> cm	63 po <sup>2</sup> 406 po <sup>2</sup> cm	63 po <sup>2</sup> 406 po <sup>2</sup> cm
300	300 po <sup>2</sup> 1935 po <sup>2</sup> cm	300 po <sup>2</sup> 1935 po <sup>2</sup> cm	75 po <sup>2</sup> 484 po <sup>2</sup> cm	75 po <sup>2</sup> 484 po <sup>2</sup> cm
400	400 po <sup>2</sup> 2580 po <sup>2</sup> cm	400 po <sup>2</sup> 2580 po <sup>2</sup> cm	100 po <sup>2</sup> 645 po <sup>2</sup> cm	100 po <sup>2</sup> 645 po <sup>2</sup> cm

\* Emplacement indiqué convient à une des deux ouvertures; une au niveau du sol et l'autre au niveau du plafond.

Tableau 8.

## ⚠ ATTENTION

Les produits chimiques ne doivent pas être rangés près de l'installation du chauffe-eau. L'air de combustion peut être contaminé par des vapeurs chimiques corrosives et peut annuler la garantie.

### Émanations corrosives et causes possibles

Endroit	Contaminants probables
Piscines et spa chlorés	Produits de nettoyage chimique pour piscines et spa. Acides, tel que chlorhydrique ou muriatique.
Emplacement avec de nouvelles constructions ou en rénovation	Colles et ciments, colles mastic, peintures, vernis, et décapants. Cires et nettoyeurs contenant du chlorure de calcium chlorure de sodium.
Salons de beauté	Permanente, décolorants, cannettes en aérosol contenant des hydrocarbures chlorés ou des fluorocarbures.
Des installations frigorifiques ou des usines de finissage ou de traitement	Réfrigérants, acides, colles et ciments, colles mastic.
Teinturier et buanderie	Javellisants, détergent ou savons contenant du chlore. Cires et nettoyeurs contenant du chlore, du chlorure de calcium ou de sodium.

Tableau 9.

## INSTALLATION DES CONDUITES DE VENTILATION - INSTALLATION INTÉRIEURE (É.-U.) OU

### INSTALLATION EXTÉRIEURE SOUS ABRIS (CANADA)

#### (Catégorie I)

Les résidus de combustion du chauffe-eau doivent toujours être évacués vers l'extérieur, voir la remarque\*.

- Utiliser une conduite de raccordement de Type « B » à double paroi pour une ventilation verticale.

Installer le chauffe-eau de façon à réduire la longueur et le nombre de coudes requis pour la conduite d'évacuation horizontale. Les tuyaux d'aération horizontaux doivent être élevés de ¼ pouce par pied (2cm/M) depuis le chauffe-eau pour permettre à la condensation de s'évacuer et il est conseillé d'installer une purge de condensation ainsi que décrit dans les instructions d'installation de l'aération.

### VENTILATION VERTICALE - PRESSION NÉGATIVE

(Voir les figures 11, 12, et 13)

Installer une conduite verticale du chauffe-eau doit être conforme aux codes locaux, ou en leurs absences, au National Fuel Gas Code, ANSIZ223.1/NFPA 54 et/ou CSA B149.1, Natural Gas and Propane Installations Codes. Un connecteur à double paroi de type B est recommandé; cependant, un tuyau à simple paroi est permis dans certaines conditions par le National Fuel Gas Code. Consulter les codes locaux pour plus d'information. **Ne pas** utiliser de coupe-tirage avec ce chauffe-eau.

Pour raccorder une conduite d'évacuation métallique à pression négative, il faut commander le collet de cheminée métallique approprié, voir le tableau ci-dessous :

Collet de cheminée métallique	N° de pièce
4 x 6"	77707-0076
4 x 8"	77707-0077

**REMARQUE \***: La conduite d'évacuation doit être à au moins (8) pieds de toute surface verticale. Les conduites d'évacuation qui font plus de (5) pieds au dessus du toit doivent être renforcées ou haubanées. Consulter les codes locaux pour plus d'information.

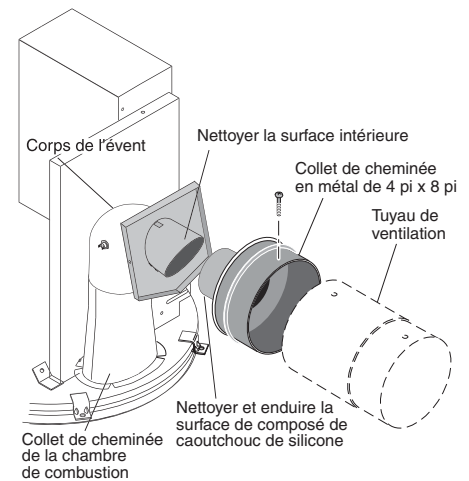


Figure 11.

1. Consulter le **tableau 10** pour déterminer les dimensions de tuyau qui convient au chauffe-eau.

**REMARQUE** : Les données du **tableau 10** s'appliquent à des installations dont la longueur de conduite latérale totale (c.-à-d., la distance horizontale du collet de cheminée à la portion verticale principale de la conduite) est moins d'une demi la hauteur totale de la conduite (la distance verticale du collet de cheminée à la terminaison d'évacuation) et qui a trois coudes ou moins dans le système. Pour des systèmes d'évacuation qui ne satisfont pas à ces conditions, consulter la norme du National Fuel Gas Code, ANSI Z223.1 (É.-U.), ou CSA B149.1 et B149.2 (Canada).

*Veillez lire la section « VENTILLATION VERTICALE - PRESSION NÉGATIVE » avant d'utiliser ce tableau.*

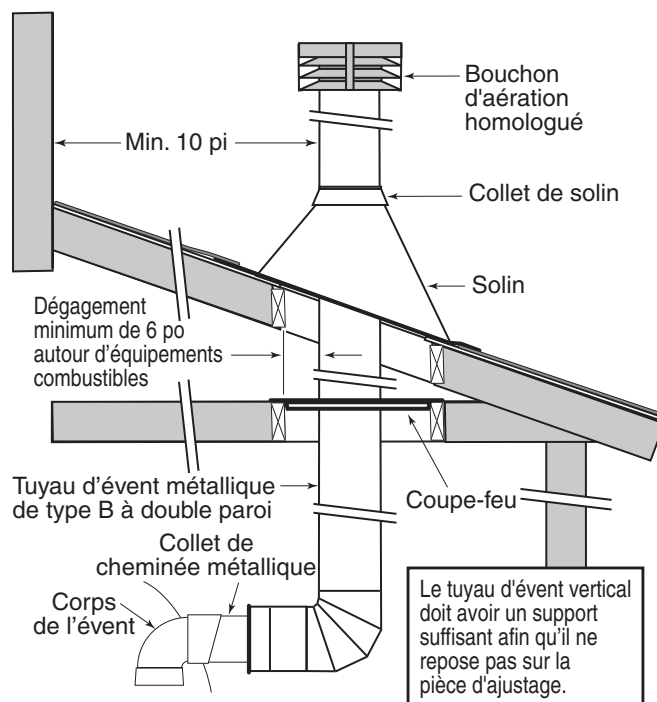
**Tableau 10.** – Hauteur minimum et maximum permise des conduites de ventilation, par dimension et modèle de chauffe-ea

Tuyau d'événement métallique de type B à double paroi avec connecteur à double paroi en pieds (mètres)					
Dimension de la conduite	Modèle 175 Hauteur min./max.	Modèle 200 Hauteur min./max.	Modèle 250 Hauteur min./max.	Modèle 300 Hauteur min./max.	Modèle 400 Hauteur min./max.
6 po	6 pi (1.8)/100 pi (30.5)	6 pi (1.8)/100 pi (30.5)	18 pi (5.5)/100 pi (30.5)	30 pi (9)/100 pi (30.5)	Non recommandé
7 po	6 pi (1.8)/100 pi (30.5)	6 pi (1.8)/100 pi (30.5)	8 pi (2.4)/100 pi (30.5)	10 pi (3)/100 pi (30.5)	15 pi (4.6)/100 pi (30.5)
8 po	6 pi (1.8)/100 pi (30.5)	6 pi (1.8)/100 pi (30.5)	6 pi (1.8)/100 pi (30.5)	6 pi (1.8)/100 pi (30.5)	8 pi (2.4)/100 pi (30.5)
9 et 10 po	6 pi (1.8)/50 pi (15.3)	6 pi (1.8)/50 pi (15.3)	6 pi (1.8)/50 pi (15.3)	6 pi (1.8)/100 pi (30.5)	6 pi (1.8)/100 pi (30.5)
Tuyau d'événement métallique de type B à double paroi avec connecteur à simple paroi en pieds (mètres)					
Dimension de la conduite	Modèle 175 Hauteur min./max.	Modèle 200 Hauteur min./max.	Modèle 250 Hauteur min./max.	Modèle 300 Hauteur min./max.	Modèle 400 Hauteur min./max.
6 po	6 pi (1.8)/15 pi (4.6)	6 pi (1.8)/15 pi (4.6)	6 pi (1.8)/15 pi (4.6)	Non recommandé	Non recommandé
7 po	6 pi (1.8)/8 pi (2.4)	6 pi (1.8)/8 pi (2.4)	6 pi (1.8)/8 pi (2.4)	10 pi (3)/20 pi (6)	15 pi (4.6)/50 pi (15.3)
8 po	Non recommandé	Non recommandé	Non recommandé	6 pi (1.8)/20 pi (6)	8 pi (2.4)/20 pi (6)
9 po	Non recommandé	Non recommandé	Non recommandé	Non recommandé	6 pi (1.8)/6 pi (1.8)
10 po	Non recommandé	Non recommandé	Non recommandé	Non recommandé	Non recommandé

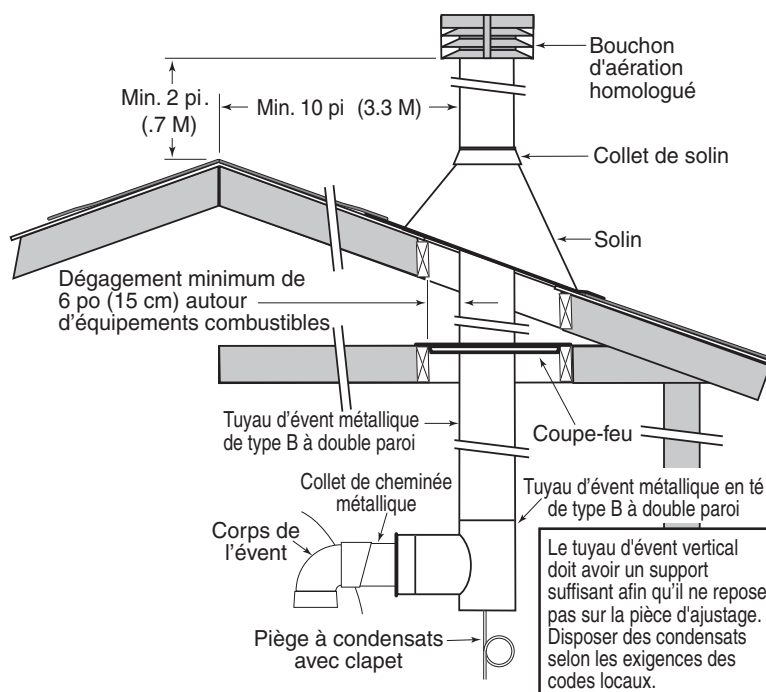
2. Installer le collet de cheminée métallique dans le corps de l'évent du chauffe-eau, situé en dessous du couvercle de ventilation extérieure. Fixer le collet de cheminée métallique au corps de l'évent à l'aide de deux vis à tête n° 10. Utilisez un composant en caoutchouc de silicone RTV résistant aux hautes températures pour calfeutrer le collet de cheminée et le corps de l'évent. Avant d'insérer le collet de cheminée dans le corps de l'évent, passer un linge ou un essuie-tout propre humidifié avec de l'alcool isopropylique et frotter l'intérieur du corps de l'évent où les deux pièces se fixeront. Essuyer immédiatement les surfaces propres avec un linge ou un essuie-tout propre. Répéter l'opération pour l'embout extérieur de 4 po du collet de cheminée. Fixer le collet de cheminée au corps de l'évent à l'aide du silicone RTV inclus avec l'ensemble, selon les directives du fabricant des conduites (incluses).
3. Fixer l'évent au collet de cheminée à l'aide de vis à tête.

## ⚠ AVERTISSEMENT

**Risque d'incendie ou d'asphyxie si la conduite d'évacuation n'est pas assemblée selon les directives du fabricant ou si des pièces de plusieurs fabricants sont utilisées.** Les conduites d'évacuation de différents fabricants NE SONT PAS interchangeables. Si des conduites de différents fabricants sont utilisées, pourraient causer des fuites ou endommager les conduites. Lors de l'installation de la conduite d'évacuation, il est important de choisir un fabricant et de s'assurer que toutes les pièces proviennent uniquement de ce même fabricant et qu'elles soient recommandées par le fabricant pour cet appareil. S'assurer de suivre les instructions du fabricant et d'être conforme aux codes locaux et au National Fuel Gas Code (É.-U.) ou au CSA B149.1 et B149.2, Natural Gas and Propane Installations Codes (Canada) pour le montage et l'installation.



**Figure 12.** – L'installation de tuyau de conduit en métallique typique - É.-U.  
(Verticale- la Pression Négative)



**Figure 13.** – L'installation de tuyau de conduit en métallique typique - Canada.  
(Verticale- la Pression Négative)

4. Installer la conduite de manière à ce qu'elle puisse prendre de l'expansion et se contracter pour accommoder les changements de température. La conduite doit être soutenue afin qu'elle ne s'affaisse pas conformément aux codes pertinents et aux directives du fabricant des conduites. Le soutien de la conduite doit permettre au tuyau d'être libre de tout mouvement, sans mettre une tension sur le chauffe-eau ou le corps de l'évent. La course horizontale doit être inclinée de 1/4 po par pied (2 cm par mètre) du chauffe-eau à l'extrémité de la conduite. Installer des pièges à condensation aux endroits où les condensats pourraient s'accumuler. Raccorder les pièges à condensation à un drain avec un tuyau haute température, tel que fait de caoutchouc silicone ou de terpolymère d'éthylène-propylène-diène - ne pas utiliser du tuyau en vinyle ou à basse température. Suivre les directives du fabricant de drains.
5. Utiliser un coupe-feu homologué lorsque des ouvertures dans le plancher et le plafond sont requises. Utiliser des viroles homologuées lorsque des ouvertures dans les murs sont requises. Utiliser un solin, un support de fixation rapide ou une virole lorsque des ouvertures dans le toit sont requises. Ne pas remplir l'espace autour du tuyau, (c.-à-d. le jour dans la virole ou le coupe-feu), avec un matériau isolant. L'ouverture du toit doit être située de façon à ce que la conduite soit à la verticale.
6. **Ne pas raccorder la conduite d'évacuation du chauffe-eau à une conduite d'un autre appareil.**

### **▲ AVERTISSEMENT**

**Risque d'incendie. Ne pas raccorder la conduite d'évacuation du chauffe-eau directement dans une cheminée en maçonnerie.** L'installation dans une cheminée en maçonnerie requière le chemisage de cheminée et doit être conforme aux codes locaux, et au National Fuel Gas Code, ANSI Z223.1/NFPA 54 et/ou CSA B149.1, Natural Gas and Propane Installations Codes.

### **▲ AVERTISSEMENT**

**Risque d'incendie, d'empoisonnement au monoxyde de carbone ou d'asphyxie.** Il est recommandé d'utiliser un détecteur de monoxyde de carbone et de fumée dans les pièces où il y a des appareils au gaz.

**VENTILATION HORIZONTALE OU VERTICALE - PRESSION POSITIVE** (Voir les figures 14, 15, et 16)**(Catégorie III)**

Aérez ce chauffe-eau soit horizontalement soit verticalement à l'aide d'un adaptateur d'aération facultatif pour tuyaux d'aération de 4 pouces de Catégorie III, approuvés pour le gaz. L'installation de la conduite d'évacuation doit être conforme au National Fuel Gas Code, Z223.1 (É.-U.) ou aux CSA B149.1, Natural Gas and Propane Installations Codes, aux codes locaux et aux instructions du fabricant des conduites de ventilation. Ne pas utiliser de coupe-tirage avec ce chauffe-eau. Installer la conduite d'évacuation selon les directives détaillées du fabricant des conduites.

Maintenir une distance entre la conduite et les surfaces combustibles selon les directives du fabricant des conduites et des exigences des codes locaux. Ne pas placer de matériau d'isolation autour des conduites et s'assurer de maintenir les dégagements requis. Voir le [tableau 11](#) afin de connaître les longueurs maximum permises.

**REMARQUE**

**La course allouée pour chaque diamètre de conduite principale de ventilation est différente et ne peut être dépassé.**

Chaque coude à 90 degrés réduit la course de ventilation horizontale de 12 pieds (2,60 m), et chaque coude à 45 degrés réduit la course de ventilation de 6 pieds (1,20 m). Se reporter aux tables ci-dessous pour les longueurs maximales de ventilation utilisant des coudes à 90 et 45 degrés.

Le chauffe-eau MasterTemp fait partie des appareils de la « Catégorie III » pour piscine et spa à induction d'air et utilise une pression positive pour pousser les gaz du conduit de cheminée à travers le tuyau de ventilation vers l'extérieur. **Il est possible que des gaz d'échappement sous pression positive puissent fuir vers l'intérieur de la résidence à cause d'une fissure ou de joints descellés dans le conduit de ventilation, ou encore à cause d'une mauvaise installation de la ventilation.** Le système d'évacuation doit avoir été construit avec des joints scellés comme ceux mentionnés pour l'utilisation d'appareils électriques de catégorie III et ceux conçus pour fonctionner à des températures supérieures à 400 °F. Le système d'évacuation doit être fait de matériau inaltérable homologué UL 1738, tel que de l'acier inoxydable, et de l'aluminium galvanisé. Un piège à condensation peut s'avérer nécessaire. L'utilisation de viroles, de supports de fixation rapide et/ou de terminaux de ventilation latéraux est exigée; et des dégagements adéquats autour des équipements combustibles doivent être maintenus selon le type de tuyau de ventilation utilisé - en l'absence de recommandation de dégagement par le fabricant de tuyaux de ventilation, les exigences du Uniform Mechanical Code s'appliquent. **Les exigences de ventilation d'air du chauffe-eau MasterTemp se trouvent page 19.** Il est recommandé que les courses de ventilation de plus de 18 pieds (540 m), soient isolées pour minimiser les problèmes liés à la condensation, et/ou, l'utilisation d'un piège à condensation sur la course de ventilation près du chauffe-eau peut s'avérer nécessaire sur certaines installations telles que celles des climats froids. Les tuyaux horizontaux de 3 pi (1 m) ou moins ne requièrent pas de pièges à condensation. Le chauffe-eau MasterTemp convient à l'installation où l'évacuation des résidus de combustion sont évacués à travers un mur.

4 po Tuyau de ventilation de gaz spécial (vertical ou horizontal)*	
Nombre de coude à 90°	Course maximale en pieds (M)
0	70 pi (21.3M)
1	58 pi (17.7M)
2	46 pi (14.0M)
3	34 pi (10.4M)
4	22 pi (6.7M)

\*La longueur maximale des tuyaux est d'un pied (.34 m), ou selon les recommandations du fabricant, les exigences des codes locaux et nationaux. Les tuyaux horizontaux de 3 pi (1 m) ou moins ne requièrent pas de piège à condensation, mais doivent avoir une pente à 1/4 po vers l'orifice de sortie afin de permettre aux condensats de s'échapper.

Tableau 11.

**ATTENTION**

Ne **PAS** combiner les tuyaux d'échappement de ventilation à un conduit d'échappement commun dans les installations à unités multiples. Installer des tuyaux de ventilation distincts.

**RACCORDEMENT DU TUYAU DE VENTILATION DE GAZ SPECIAL**

Métallique :

- Commandez en option un kit adaptateur pour appareil (Pentair propose des kits adaptateurs pour appareil, contactez notre Service clientèle):  
- N° de pièce 77707-0086 pour Saf-T Vent™ ou Saf-T Vent™ CI.  
- N° de pièce 77707-0087 pour Z-Vent.
- Retirer le couvercle de ventilation extérieure.
- Installer le raccord pour appareil métallique dans le corps de l'évent du chauffe-eau, situé en dessous du couvercle de ventilation extérieure. Avant d'insérer le collet de cheminée dans le corps de l'évent, passer un linge ou essuie-tout propre humidifié avec de l'alcool isopropylique et frotter l'intérieure du corps de l'évent où les deux pièces se fixeront. Essuyer immédiatement les surfaces propres avec un linge ou un essuie-tout propre. Répéter l'opération pour l'extérieure de l'embout de l'adaptateur du côté du chauffe-eau. Fixer l'adaptateur d'appareil au corps de l'évent à l'aide de l'adhésif spécifié par le fabricant en suivant les directives du fabricant.

## ⚠ AVERTISSEMENT

**Risque d'empoisonnement si l'adaptateur n'est pas correctement installé.** Les raccords mécaniques (tel que les vis) peuvent entraîner des fissures et des fuites dans l'adaptateur. **NE PAS** percer des trous ou utiliser des vis pour raccorder l'adaptateur à la conduite du chauffe-eau. Fixer à l'aide de l'adhésif recommandé par le fabricant.

## ⚠ AVERTISSEMENT

**Risque d'incendie ou d'asphyxie si la conduite d'évacuation n'est pas assemblée selon les directives du fabricant ou si des pièces de plusieurs fabricants sont utilisées.** Les conduites d'évacuation de différents fabricants **NE SONT PAS** interchangeables. Si des conduites de différents fabricants sont utilisées, cela pourrait causer des fuites ou endommager les conduites. Lors de l'installation de la conduite d'évacuation, il est important de choisir un fabricant et de s'assurer que toutes les pièces proviennent uniquement de ce même fabricant et qu'elles soient recommandées par le fabricant pour cet appareil. S'assurer de suivre les instructions du fabricant et d'être conforme aux codes locaux et au National Fuel Gas Code (É.-U.) ou au CSA B149.1, Natural Gas and Propane Installations Codes (Canada) pour le montage et l'installation.

4. Installer la conduite de manière à ce qu'elle puisse prendre de l'expansion et se contracter pour accommoder les changements de température. La conduite doit être soutenue afin qu'elle ne s'affaisse pas conformément aux codes pertinents et aux directives du fabricant des conduites. Le soutien de la conduite doit permettre au tuyau d'être libre de tout mouvement, sans mettre une tension sur le chauffe-eau ou le corps de l'évent. Il est conseillé d'incliner le tuyau horizontal qui part du chauffe-eau d'au moins ¼ de pouce par pied (2cm/M). Installer des pièges à condensation aux endroits où les condensats pourraient s'accumuler. Raccorder les pièges à condensation à un drain avec un tuyau haute température, tel que fait de en caoutchouc silicone ou de terpolymère d'éthylène-propylène-diène; ne pas utiliser du tuyau en vinyle ou à basse température. Suivre les directives du fabricant de drains.
5. Utiliser un coupe-feu homologué lorsque des ouvertures dans le plancher et le plafond sont requises. Utiliser des viroles homologuées lorsque des ouvertures dans les murs sont requises. Utiliser un solin, un support de fixation rapide ou une virole lorsque des ouvertures dans le toit sont requises. Ne pas remplir l'espace autour du tuyau, (c.-à-d. le jour dans la virole ou le coupe-feu), avec un matériau isolant. L'ouverture du toit doit être située de façon à ce que la conduite soit à la verticale.
6. **Terminaison d'évacuation - Verticale** (Voir les figures 14 et 15), pour la hauteur de la terminaison d'évacuation au-dessus du toit. Utiliser une terminaison d'évacuation homologuée et spécifiée dans les codes locaux et selon les directives du fabricant. Une terminaison d'évacuation doit être verticale. Au Canada, l'emplacement du couvercle de terminaison doit être à un minimum de 4 pieds (1,2 m) de distance horizontalement des compteurs électriques, des compteurs de gaz, des régulateurs et des soupapes de sécurité.
7. S'assurer que l'étanchéité de l'ensemble de l'installation est conforme aux normes.

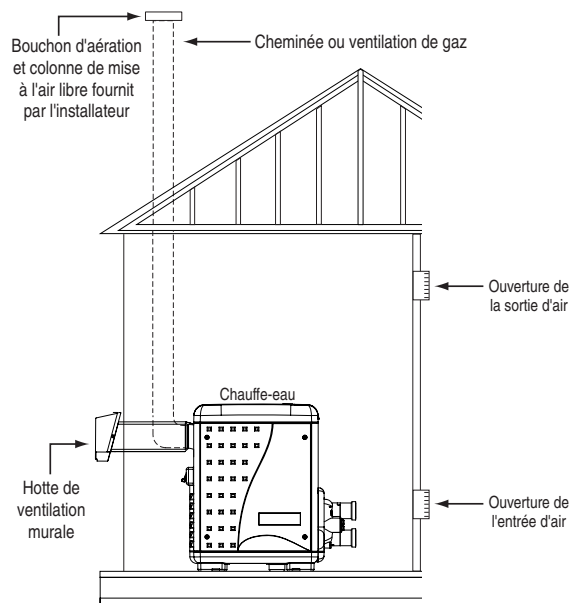


Figure 14.

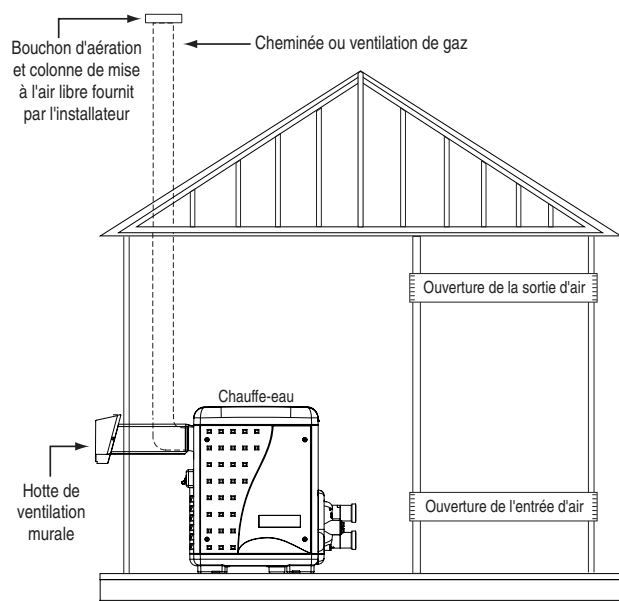


Figure 15.



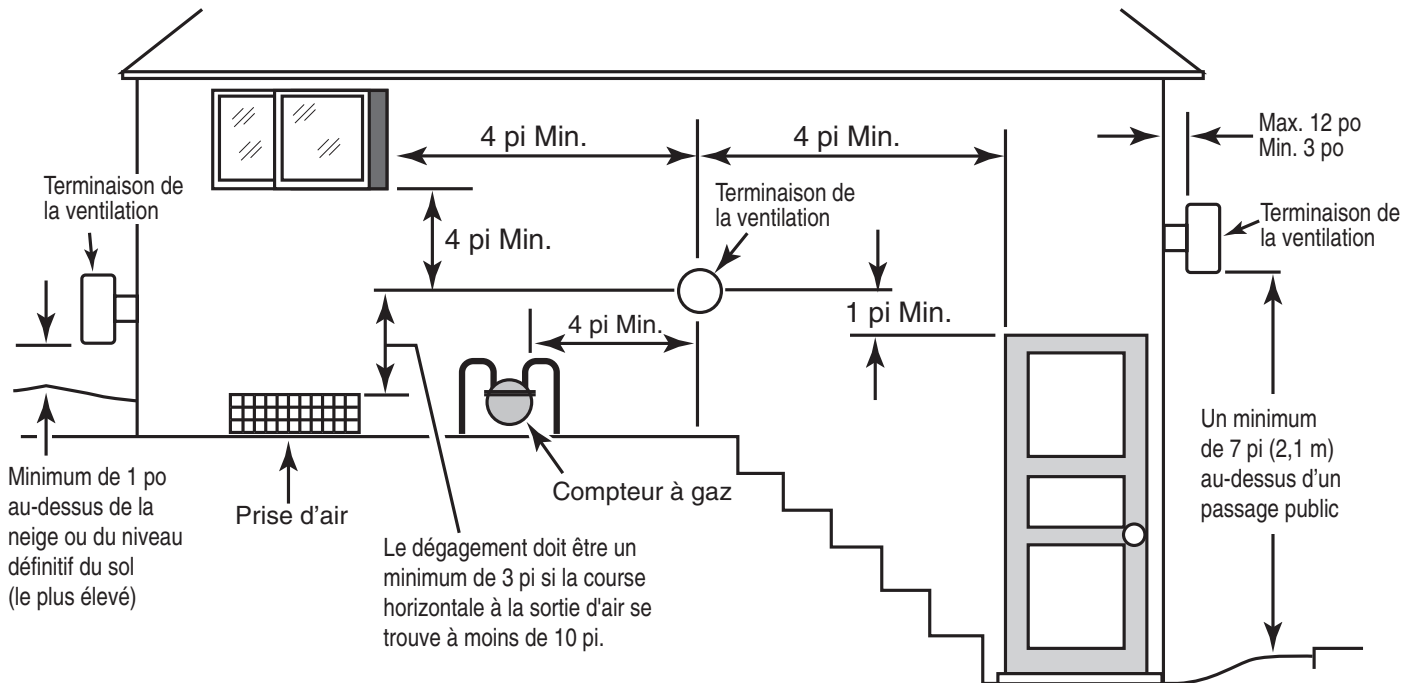


Figure 16.

### 8. Terminaison de la ventilation – Horizontale

La terminaison doit être située (É.-U. - Voir la [figure 16](#)) :

- à au moins 3 po et à un maximum de 12 po à l'extérieur du mur (voir la [figure 17](#)), suivant les directives du fabricant
- à au moins 12 po au dessus du niveau d'accumulation de neige normalement prévu ou du niveau définitif du sol, le plus haut des deux
- à au moins 4 pi en dessous ou à l'horizontale de, ou 1 pi au-dessus, de toutes portes, fenêtres ou entrées gravitationnelles du bâtiment
- à au moins 3 pi d'une quelconque prise d'air extérieure située dans un rayon de 10 pi
- à un minimum de 4 pieds de compteurs électriques, compteur du gaz, régulateurs et soupapes de sécurité
- à au moins 7 pieds au-dessus des trottoirs publics.

La terminaison doit être située (Canada - Voir la [figure 16](#)) :

- à au moins à 10 pi (3,3 m) d'une quelconque ouverture du bâtiment
- à au moins 12 po (0,3 m) au dessus du niveau d'accumulation de neige normalement prévu ou du niveau définitif du sol, le plus haut des deux
- à un minimum de 4 pieds (1,2 m) de compteurs électriques, compteur du gaz, régulateurs et soupapes de sécurité
- à au moins 7 pieds (2,1 m) au dessus des trottoirs publics.

Allouer au moins trois pieds (1 m) de dégagement vertical pour une terminaison lorsque celle-ci est située en dessous du surplomb ou un deck.

Éviter de placer le chauffe-eau dans les coins ou les alcôves, là où la neige ou le vent pourraient entraver à son bon fonctionnement. Le système d'évacuation pourrait endommager les plantes ou le recouvrement de bâtiment. S'assurer que la terminaison n'est pas près de plantes. Afin d'éviter la décoloration ou la détérioration, les surfaces exposées peuvent nécessiter d'être protégées.

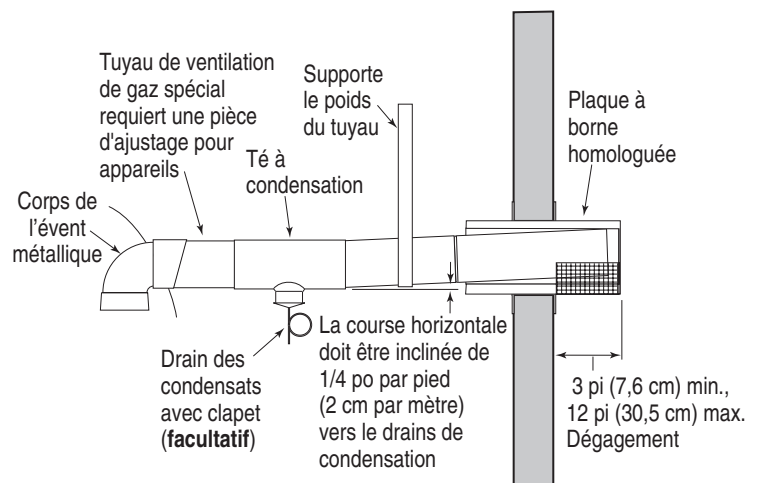


Figure 17.

## ⚠ AVERTISSEMENT

**Risque d'incendie.** Ne pas raccorder la conduite d'évacuation du chauffe-eau à une conduite d'un autre appareil. Ne pas raccorder le tuyau de ventilation de gaz spécial directement ou dans une conduite active comme une cheminée en maçonnerie.

## INSTALLATION EXTÉRIEURE SOUS ABRIS

Au Canada, ce chauffe-eau ne peut être installé qu'à l'extérieur ou dans un endroit fermé qui est normalement inhabité et qui ne communique pas directement avec des endroits habités.

### ⚠ AVERTISSEMENT

**Risque d'asphyxie si les gaz de combustion ne sont pas évacués correctement.** Suivre les instructions concernant la ventilation à la lettre lors de l'installation du chauffe-eau. Ne pas utiliser de coupe-tirage avec ce chauffe-eau, comme le gaz d'échappement est sous la pression de la soufflerie du brûleur, un coupe-tirage acheminerait ce gaz dans la pièce où se trouve le chauffe-eau. Une ventilation extérieure est requise pour toutes les installations extérieures sous abris.

### ⚠ AVERTISSEMENT

**Risque d'explosion si un appareil au gaz propane est installé dans une cavité ou dans un endroit plus bas.** Le gaz propane est plus lourd que l'air. Ne pas installer de chauffe-eau au propane dans une cavité ou dans un endroit où le gaz pourrait s'accumuler. Consulter le code du bâtiment local afin de déterminer les exigences et les restrictions concernant l'installation de chauffe-eau relatif aux unités d'emménagement et d'approvisionnement de gaz de propane. L'installation doit répondre aux exigences spécifiées par la norme Storage and Handling of Liquefied Petroleum Gases, CAN/CSA B149.2 (la dernière édition) ou l'ANSI/NFPA 58 (la dernière édition). Consulter les codes et les autorités locaux pour connaître les exigences et restrictions spécifiques à cette installation.

Ce chauffe-eau est conçu et certifié par le CSA International en vue d'une installation sur un revêtement combustible; dans une alcôve; un sous-sol; placard ou pièce de rangement (aux É.-U.).

## INSTALLATION DANS UN GARAGE OU UNE SALLE DE RANGEMENT

Au Canada, le chauffe-eau doit être installé dans une pièce qui est normalement inhabitée et qui ne communique pas directement aux endroits habités.

### ⚠ AVERTISSEMENT

**Risque d'incendie ou d'explosion si installé au niveau du plancher dans un garage ou près d'un endroit d'emménagement d'essence ou de liquide inflammable.** Les vapeurs d'essence sont plus lourdes que l'air et se concentrent au ras du sol. Les vapeurs d'essence, de l'essence ou autre liquide volatil renversé, (tel que peinture et vernis), peuvent se répandre et être enflammées par un appareil au gaz.

Pour les pièces de rangement ou les garages résidentiels, le chauffe-eau doit être surélevé de 18 pouces (0,5 m) par rapport au sol, voir la [figure 18](#). Lorsque l'installation se fait dans un garage, il faut installer un garde-corps ou un mur afin de protéger le chauffe-eau contre les voitures qui entrent et sortent.

**Il faut prévoir une admission d'air de combustion (Voir le [tableau 8](#), [page 19](#)). Choisir un emplacement qui n'est pas à proximité des sources de vapeurs chimiques corrosives.**

### ⚠ ATTENTION

**Au Massachusetts, il est interdit d'installer un chauffe-eau au gaz propane (LPG) dans un garage, par décret du chef du service des incendies de l'état du Massachusetts. Pour plus d'information, il est possible de contacter le bureau du chef du service des incendies de l'état du Massachusetts.**

**REMARQUE :** L'air de combustion contaminée par des vapeurs chimiques corrosives peut endommager le chauffe-eau et entraîner une annulation de la garantie (Voir le [tableau 9](#), à la [page 19](#)).

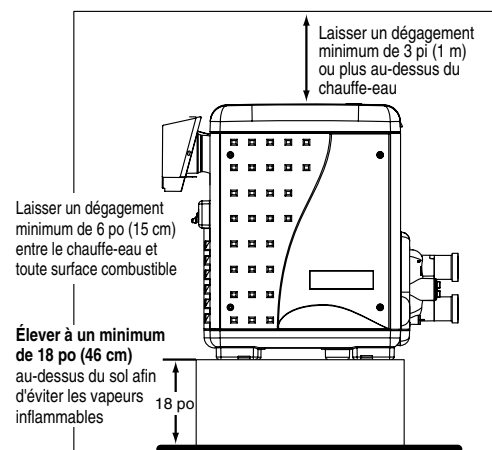


Figure 18.



## POSITIONNEMENT DU TABLEAU DE COMMANDE

Pour une installation extérieure sous abris, les gaz d'évacuation sortent par une conduite d'évacuation. Orienter le chauffe-eau pour que la conduite d'évacuation n'entrave pas l'accessibilité des commandes. Le tableau de commande sur le dessus du panneau supérieur peut être positionné sur n'importe quel côté du chauffe-eau pour plus d'accessibilité voir la **figure 19**.

1. Retirer les boulons des panneaux d'accès. Retirer les deux panneaux d'accès.
2. Retirer les quatre vis aux quatre coins qui retiennent le panneau supérieur. Soulever le panneau supérieur afin de le retirer.
3. Tourner le panneau supérieur à la position désirée, angles à 90°. *Cependant, le tableau de commande NE DOIT PAS être placé du côté de la conduite d'évacuation.*
4. Replacer le panneau sur les panneaux latéraux. S'assurer qu'il n'y a pas de fils coincés sous le panneau.
5. Revisser le panneau à l'aide des quatre vis de coin.
6. Remettre les panneaux d'accès en place.

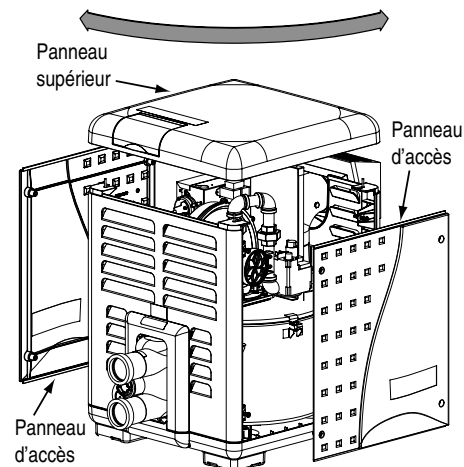


Figure 19.

## LISTE DE CONTRÔLE D'INSTALLATION

S'assurer que la course horizontale de la conduite est inclinée de 1/4 po par pied (2 cm par mètre) vers les pièges à condensation. Qu'il y ait aucun creux, aucune inclinaison, dépression ou saillie.

S'assurer que les coudes, raccords en T, courses horizontales et verticales sont soutenus selon les directives du fabricant et des codes locaux.

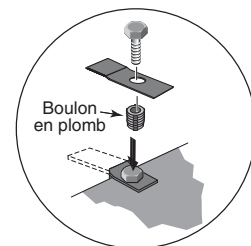
S'assurer que les supports de la ventilation et que les ouvertures sur les murs et plafonds permettent une liberté de mouvement, en haut, en bas, sur les côtés et que le corps de l'évent et le chauffe-eau ne supportent pas leur poids.

S'assurer qu'il y a au moins six pouces (15 cm) de distance entre la conduite et les surfaces combustibles.

S'assurer que tous les raccords sont bien insérés et bien scellés.

En Floride, le code du bâtiment exige que le chauffe-eau soit ancré au panneau ou à la plateforme afin de résister à la pression des grands vents durant les ouragans. Un jeu de fixation de support, pièce n° 460738, est disponible avec des pinces d'ancrage conçues pour maintenir l'appareil au panneau d'installation durant de grands vents. L'installation de pinces d'ancrage est recommandée dans toutes les installations et est exigée en Floride, (voir Florida Building Code 301.13).

Pour les vis et colliers de montage du chauffe-eau, acheter le jeu de fixation de support, No. de pièce 460738.



## RACCORDEMENTS ÉLECTRIQUES

Calibre électrique 60 Hz 120 / 240 volts c.a., monophasé

Mettre le câble d'alimentation du chauffe-eau dans un caniveau à câble flexible branché directement à la boîte de jonction à l'intérieure du panneau d'accès. Du câblage à tension secteur avec un fils de calibre 14, avec un circuit de 15 ampères.

### ⚠ ATTENTION

**Le chauffe-eau est conçu pour fonctionner sur du 120 ou 240 volts c.a. Il n'est pas recommandé de le brancher OU de le faire fonctionner sur du 208 volts c.a.**

### REMARQUE

- Avant de procéder à des connexions, il faut retirer les panneaux d'accès, ouvrir la boîte de commande, retirer les 12 broches du connecteur à 12 broches du sac et brancher le connecteur approprié (120 volts ou 240 volts).
- Si un des fils inclus avec le chauffe-eau doit être remplacé, l'installateur doit fournir du fil torsadé en cuivre (No. 18 AWG, 600 volts, 105 °C approuvé C.U.L. à faible énergie AWM) ou l'équivalent.



### ⚠ ATTENTION

**Le chauffe-eau est livré avec une fiche de 240V installée. Si une fiche de 120V est utilisée et ensuite branchée à une tension secteur de 240V, le transformateur, le tableau de commande et le module de commande d'allumage peuvent être endommagés et entraîner l'annulation de la garantie. Si une fiche de 240V est utilisée et ensuite branchée à une tension secteur de 120V, le chauffe-eau ne fonctionnera pas.**

Lire attentivement les boîtes avec l'en-tête « IMPORTANT! À LIRE EN PREMIER LIEU! » aux pages 37 et 41 avant de poursuivre.

1. Tout le câblage doit être conforme aux normes pertinentes.
2. Le chauffe-eau, une fois installé, doit être raccordé à une mise à la terre et fixé selon les codes locaux, ou en l'absence de ces codes, le Code canadien de l'électricité ou le National Electrical Code, selon le cas. Une cosse est fournie et placée sur l'extérieur du panneau, sous l'orifice de ventilation à cette intention.
3. Le circuit électrique relié au chauffe-eau doit être conforme aux codes locaux et au Code canadien de l'électricité ou au National Electrical Code, (selon le cas).
4. Tout le câblage entre le chauffe-eau et les appareils qui ne lui est pas attaché, ou entre appareils individuels qui sont installés en chantier, doit être de type « T » conçu pour augmentation de température de 35 °C.
5. Tout le câblage de tension secteur doit être placé dans un caniveau à câble flexible, et doit être attaché solidement à la boîte de connexion située à l'intérieur du panneau d'accès. Le caniveau ou connecteur à câble de la boîte à connexion doit être doté d'une douille d'isolement ou son équivalent afin de prévenir l'abrasion des fils lorsqu'ils sont insérés dans la boîte.
6. **La pompe doit fonctionner continuellement lorsque le chauffe-eau est sous tension, et au moins 15 minutes après la mise hors tension du chauffe-eau.** Tous les interrupteurs dans le circuit de la pompe (incluant les disjoncteurs) qui peuvent déconnecter la pompe doivent également déconnecter le chauffe-eau.
7. Ne pas câbler des interrupteurs unipolaires, incluant des dispositifs de sécurité, dans une ligne mise à la terre. Le chauffe-eau n'est pas sensible à la polarité.

Connecter **L1** du bloc d'alimentation au câble **noir**, **L2** ou neutre au câble **rouge** et le câble de **mise à la terre** au câble **vert**. Si la pompe est équipée d'une minuterie, elle doit être dotée d'un coupe-circuit à basse tension qui ferme le chauffe-eau au moins 15 minutes avant la fermeture de la pompe.

*Toujours utiliser des connecteurs de type pince lorsque l'on raccorde deux fils.*



Figure 20.

## RACCORDEMENT DU COUPE-CIRCUIT OU DE LA COMMANDE À DISTANCE

### ⚠ ATTENTION

Lorsque le chauffe-eau est branché à une tension secteur, si un des fils 24 V c.a. qui est branché au tableau de commande entre en contact avec une des bornes (incluant le sautoir de l'interrupteur du coupe-circuit), cela détruira le tableau de commande et entraînera l'annulation de la garantie.

### CONTRÔLE À DISTANCE

1. Couper l'alimentation du chauffe-eau à partir du panneau conjoncteur-disjoncteur principal.
2. Retirer les boulons des panneaux d'accès.
3. Ouvrir le couvercle de la boîte de commande (voir la [figure 21](#)).
- 4a. *Branchement d'une commande à deux fils* (tel que IntelliTouche ou EasyTouche de Pentair) ou une minuterie :

- Retirer le cavalier d'usine des terminaux du coupe-circuit.
- Brancher les fils entre les terminaux du coupe-circuit du chauffe-eau et le relais électrique. Brancher les fils de la commande ou de la minuterie au coupe-circuit. La commande, minuterie ou le relais doit être calibré pour une tension de 24 v c.a. à 0,5 ampère (parce qu'ils compléteront le circuit du tableau de commande sur le chauffe-eau, tel qu'illustré dans la [figure 22](#)). NE PAS câbler les terminaux du coupe-circuit avec une tension secteur. Utiliser un fil de calibre 18 avec une isolation de 3/64 po (1,2 mm) d'épaisseur, câblé pour une élévation de température d'au moins 105 °C.
- Des débouchures sont fournies pour filer les fils à travers le dessous de la boîte de contrôle et passer la boîte de jonction.

- 4b. *Branchement d'une commande à trois fils* :

- Brancher les fils entre les terminaux du tableau de commande sur le chauffe-eau et les relais électriques externes, tel qu'indiqué dans la [figure 23](#). Utiliser au moins 2 relais par chauffe-eau, afin de permettre un réglage hors tension sur chaque mode de chauffage. Sélectionner les relais qui peuvent utiliser un interrupteur à niveau. NE PAS câbler les terminaux du coupe-circuit avec une tension secteur.
- Déplacer le cavalier (tel qu'indiqué sur la [figure 23](#)) pour activer la commande externe et pour désactiver la/les touche(s) « Pool ON » et « Spa ON » sur la commande à membrane (la touche « OFF » de la commande à membrane demeure active).
- Des débouchures sont fournies pour filer les fils à travers le dessous de la boîte de contrôle et passer la boîte de jonction.

5. Fermer le couvercle de la boîte de commande.
6. Remettez les panneaux d'accès en place.

Pour commander des chauffe-eau en parallèle, connectez les fils aux mêmes emplacements sur le chauffe-eau que sur la commande à deux ou trois fils. Il est impératif que chaque circuit de commande soit isolé des autres circuits de commande, afin d'éviter que le courant ne passe d'un chauffe-eau à un autre à travers les circuits de commande.

**REMARQUE :** Le fusible pour le coupe-circuit est un fusible commun de 1,25 ampères de 1/4 po x 1/4" po.

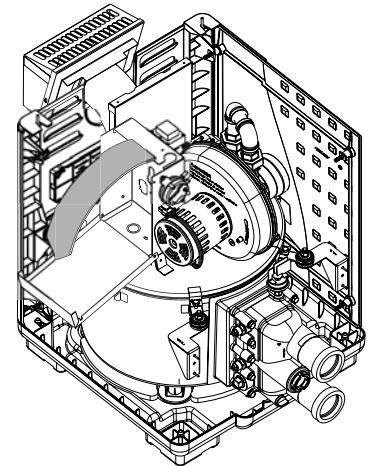


Figure 21.

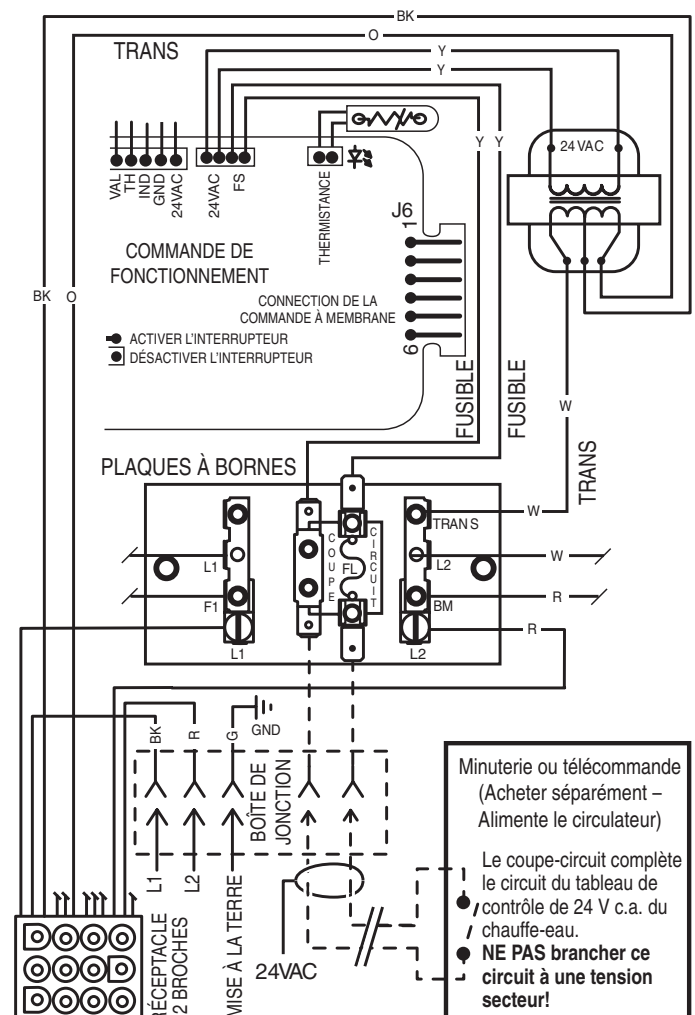


Figure 22.

# SCHÉMA DE CÂBLAGE DU MASTERTEMP™

(SYSTÈME À 3 FILS)

## SCHÉMA DE CONNEXION

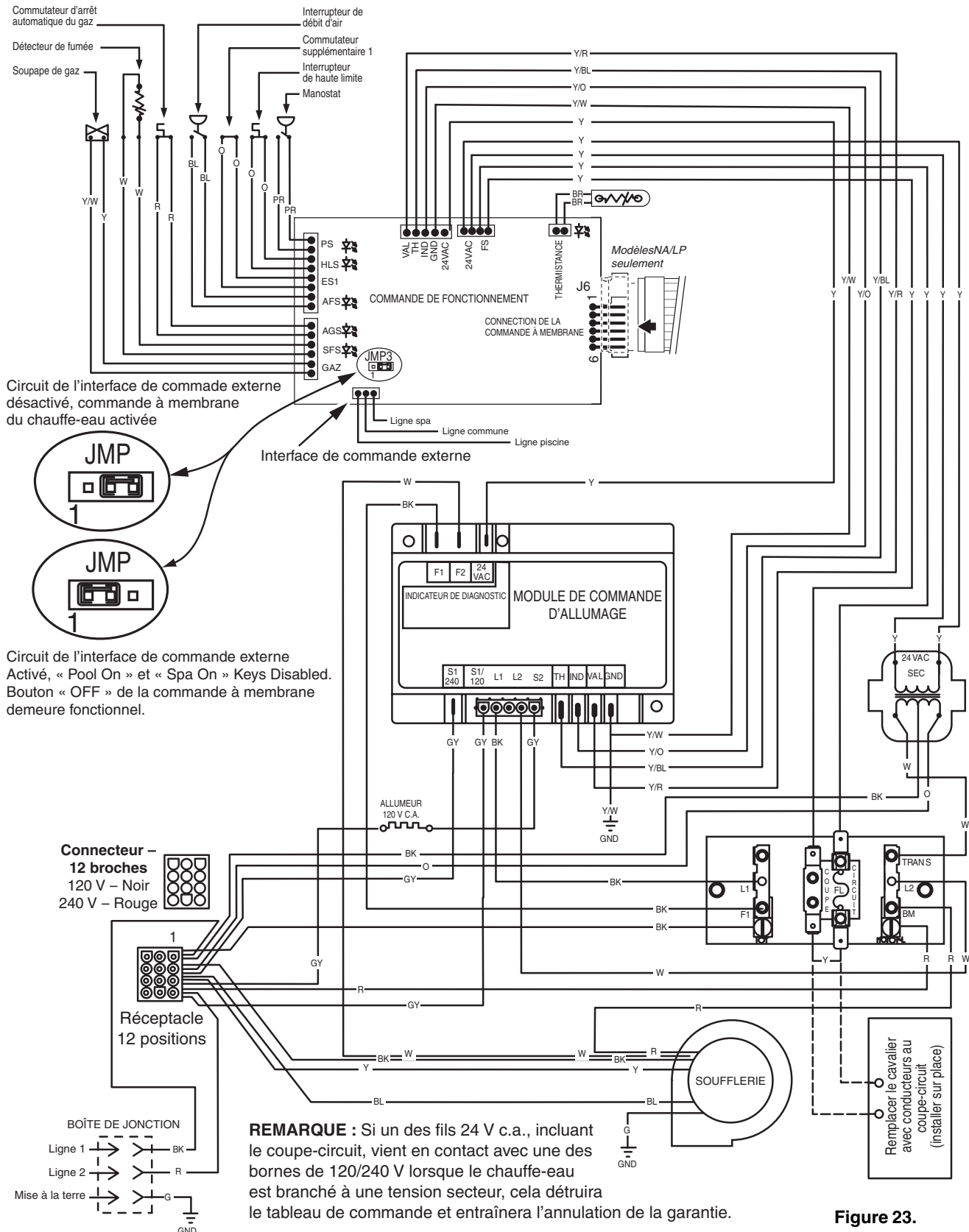
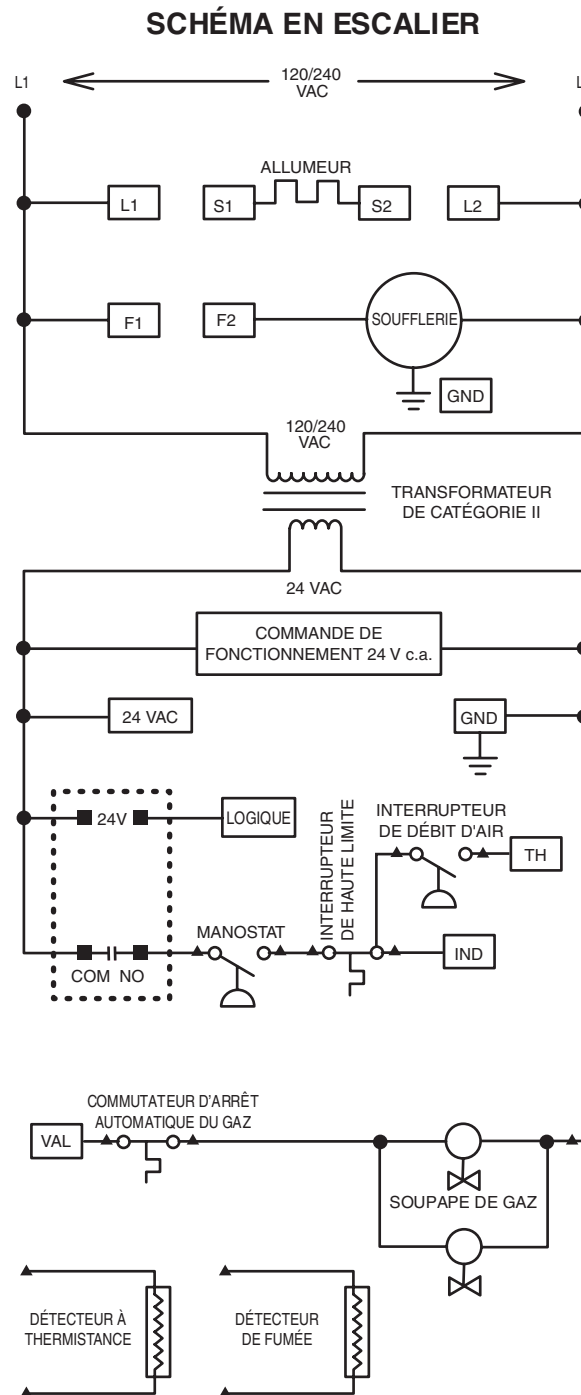


Figure 23.

# DIAGRAMME SCHÉMATIQUE ÉLECTRIQUE EN ESCALIER

**REMARQUE :**

- 1.) 

L1	L2	F1	F2	S1	24 VAC
S2	GND	IND	VAL	AND	TH

SONT BRANCHÉS AU MODULE D'ALLUMAGE.

- 2.) ▲ CONNECTEURS ÉLECTRIQUE À FICHE.
- 3.) SI UN DES CÂBLES INCLUS AVEC L'APPAREIL DOIT ÊTRE REMPLACÉ, IL DOIT ÊTRE REMPLACÉ AVEC UN DE TYPE 105 °C OU ÉQUIVALENT.

**Figure 24.**

# Consignes de Fonctionnement

## FONCTIONNEMENT GÉNÉRAL DU SYSTÈME

Amorcer la pompe, s'assurer qu'elle fonctionne et qu'elle a été purgée, pour fermer le manostat et l'alimentation électrique au chauffe-eau. S'assurer que la piscine et/ou le spa sont remplis à un niveau d'eau adéquat. Suivre les instructions pour l'allumage/Consignes de fonctionnement ci-dessous.

## MASTERTEMP HSI À ALLUMAGE ÉLECTRONIQUE : ALLUMAGE/FONCTIONNEMENT

POUR VOTRE SÉCURITÉ : LIRE ATTENTIVEMENT AVANT D'ALLUMER

### ⚠ AVERTISSEMENT



Si les instructions ne sont pas suivies à la lettre, peuvent en suivre un incendie ou une explosion causant des dommages matériels, des blessures ou la mort.

Ne pas allumer le chauffe-eau si une fuite de gaz est suspectée. Allumer le chauffe-eau pourrait provoquer un incendie ou une explosion causant des dommages matériels, des blessures ou la mort.

### MISE EN ROUTE ET FONCTIONNEMENT

INSTRUCTIONS DE MISE EN ROUTE ET HORS TENSION SONT SUR L'ÉTIQUETTE SUR LE COUVERCLE DE LA BOÎTE DE COMMANDE DE L'APPAREIL.

#### AVANT LA MISE EN ROUTE

- A. Cet appareil électrique ne possède pas de pilote. Il est doté d'un dispositif d'allumage qui allume les brûleurs automatiquement. Ne pas essayer d'allumer les brûleurs à la main.
- B. **AVANT L'ALLUMAGE**, inspecter tout autour de l'appareil pour déceler toute odeur de gaz. Prendre soin de sentir près du sol également, car certains gaz sont plus lourds que l'air et se concentrent au ras du sol.

#### QUE FAIRE EN PRÉSENCE D'ODEUR DE GAZ

- Ne tenter d'allumer aucun appareil.
- Ne toucher aucun interrupteur électrique; n'utiliser aucun téléphone à l'intérieur du bâtiment.
- Appeler immédiatement votre fournisseur de gaz en utilisant le téléphone d'un voisin. Suivre les instructions du fournisseur de gaz.
- Si le fournisseur de gaz ne peut être rejoint, appeler le service des incendies.
- C. N'utiliser que la main pour tourner la manette de contrôle du gaz. Ne jamais utiliser d'outil. Si l'on ne peut tourner la manette à la main, ne pas essayer de la réparer, contacter un technicien qualifié. L'utilisation de la force ou même une tentative de réparation pourrait provoquer un incendie ou une explosion.
- D. Ne pas utiliser ce chauffe-eau si une pièce quelle qu'elle soit a pris l'eau. Contacter immédiatement un technicien d'entretien qualifié pour examiner le chauffe-eau et

remplacer toute pièce du système de contrôle et du contrôle du gaz qui a pris l'eau.

- E. Ne pas faire fonctionner le chauffe-eau sauf si la piscine ou le spa sont remplis à un niveau d'eau adéquat.
- F. Avant de faire fonctionner l'appareil pour la première fois ou après avoir été hors tension pour pendant une période prolongée, procéder à la vérification suivante :
  1. Retirer tous les débris ou autres articles de l'intérieur et autour du chauffe-eau et dans les conduits d'évacuation. S'assurer que les orifices de ventilation sont non obstrués. Pour les installations dans des endroits fermés, s'assurer que les orifices de combustion et de ventilation sont non obstrués.
  2. Garder l'emplacement du chauffe-eau libre de liquides et de produits chimiques inflammables.
  3. S'assurer que tous les raccords sont bien insérés et bien scellés
  4. De l'eau doit circuler à travers le chauffe-eau durant le fonctionnement. S'assurer que la piscine/spa est rempli d'eau et que la pompe fonctionne. S'assurer que l'eau circule sans obstruction dans l'appareil. Avant de faire fonctionner l'appareil pour la première fois ou après avoir été hors tension pour pendant une période prolongée, faire fonctionner la pompe du filtre pendant plusieurs minutes afin de purger tout l'air du système.



## CONSIGNES D'UTILISATION

- ARRÊTEZ!** Lire les informations concernant la sécurité (page 32).
- Régler le thermostat de la piscine et du spa au réglage minimum.
- Couper toute alimentation à l'appareil.
- Cet appareil électrique ne possède pas de pilote. Il est doté d'un dispositif d'allumage qui allume les brûleurs automatiquement. Ne pas essayer d'allumer les brûleurs à la main.
- Retirer les panneaux d'accès en dévissant les quatre vis de chaque porte, soulever ensuite les portes du panneau inférieur. S'il s'avère nécessaire, les vis peuvent servir de poignées, voir la figure 25.
- Soupape de type commutateur :** Tirer le commutateur vers soi afin de fermer l'arrivée du gaz, voir la figure 26.
- Attendre cinq (5) minutes que tout gaz se dissipe. **ARRÊTER** si une odeur de gaz est détectée. Suivre la consigne « B » dans la section « AVANT LA MISE EN ROUTE » (page 32). Passer à l'étape suivante en l'absence de gaz.
- Pousser le commutateur loin de soi pour ouvrir l'arrivée du gaz.
- Remettre les panneaux d'accès en place. Tous les panneaux doivent être en place lors du fonctionnement du chauffe-eau.
- Régler les soupapes d'entrée et de sortie à 3 voies à « POOL » ou « SPA », selon le cas.
- Remettre l'alimentation à l'appareil.
- Appuyer sur la touche « POOL ON » ou « SPA ON » sur le tableau de commande.
- Régler le thermostat à la température désirée (**REMARQUE :** La température programmée doit être au dessus de la température actuelle de l'eau ou le brûleur ne s'allumera pas). Voir « FONCTIONNEMENT DU PANNEAU DE COMMANDE ».
- La soufflerie doit se mettre en route immédiatement, après environ 20 secondes, le brûleur doit s'allumer. Lorsque l'appareil fonctionne pour la première fois, il se peut que le brûleur ne s'allume pas du premier coup en raison de l'air qui se retrouve dans la conduite de gaz. S'il ne s'allume pas du premier coup, appuyer sur la touche « OFF », attendre cinq minutes, et appuyer de nouveau sur la touche « POOL » ou « SPA ON ». Le brûleur devrait s'allumer après 20 secondes. Il faut répéter cette procédure jusqu'à ce que tout l'air se soit dissipé de la conduite de gaz.
- Le brûleur doit rester allumé jusqu'à ce que la température de l'eau de la piscine/spa atteigne la température programmée. La soufflerie continue de fonctionner environ 45 secondes après que le brûleur se soit arrêté. Si le système de fermeture de sécurité se met en route durant le fonctionnement du brûleur, le brûleur se ferme automatiquement, mais la soufflerie continue de fonctionner pour environ 45 secondes. En cas de surchauffe ou si la conduite de gaz ne peut être fermée, fermer la soupape manuelle d'arrivée du gaz.
- Si l'appareil ne fonctionne pas, suivre les consignes « FERMETURE DE L'ARRIVÉE DU GAZ VERS L'APPAREIL » et contacter le technicien d'entretien ou le fournisseur de gaz.

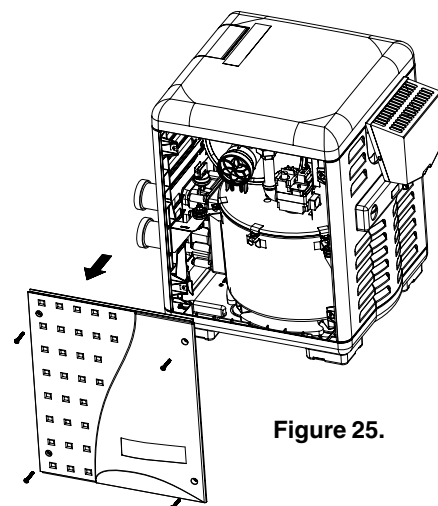
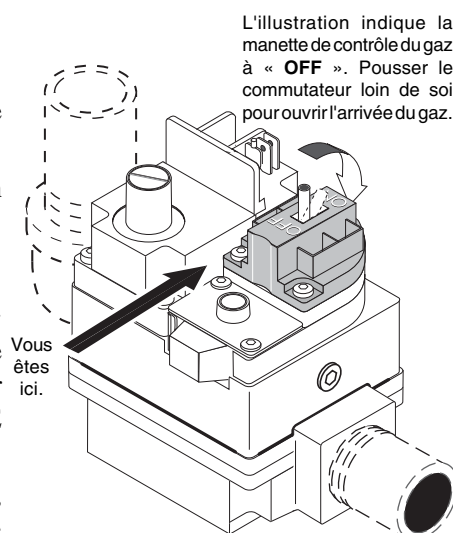


Figure 25.



L'illustration indique la manette de contrôle du gaz à « OFF ». Pousser le commutateur loin de soi pour ouvrir l'arrivée du gaz.

Figure 26.

## FERMETURE DE L'ARRIVÉE DU GAZ VERS L'APPAREIL

- Appuyer sur la touche « OFF » sur le tableau de commande.
- Couper toute alimentation à l'appareil.
- Retirer les panneaux d'accès, voir la figure 25.
- Soupape de type commutateur :** Tirer vers soi afin de fermer l'admission du gaz, voir la figure 26.
- Remettre les panneaux d'accès en place.

## COMMANDES DE SÉCURITÉ

### INTERRUPTEUR DE DÉBIT D'AIR (AFS)

L'interrupteur de débit d'air, (voir la **figure 27**), est un dispositif de sécurité utilisé pour s'assurer que la soufflerie fonctionne et pour contrôler la pression négative (du vide) à l'intérieur de la soufflerie. L'interrupteur de débit d'air est installé en usine et est connecté en amont du module d'allumage. Le module d'allumage ne fonctionne que lorsque l'interrupteur de débit d'air ainsi que tous les autres interrupteurs de sécurité sont fermés.



### MANOSTAT

#### ⚠ AVERTISSEMENT

**Pression dangereuse. Ne pas contourner le manostat ou le rendre inopérant.**

Le manostat, (voir la **figure 28**). Si le flux de l'eau est réduit, le manostat peut empêcher le brûleur de s'allumer et activer le témoin DEL « Service System ». Si le témoin reste allumé après avoir procédé à l'entretien du filtre, demander à un technicien d'entretien qualifié de vérifier le système.

Pour une installation au niveau de la terrasse, le manostat est réglé en usine à 3,00 psi ( $\pm 20,6$  kPa). **REMARQUE** : Voir, « Installation sous le niveau de l'eau » à la **page 12**. Si le manostat est à un pied (0,3 m) en dessous ou au-dessous du niveau de l'eau, réinitialiser le manostat pour qu'il soit ouvert lorsque la pompe est fermée et fermer lorsque la pompe fonctionne.

Tourner la rondelle étoilée sur la soupape en tournant dans le sens horaire (  ) pour augmenter le réglage (chauffe-eau sous le niveau de l'eau) et antihoraire (  ) pour diminuer le réglage (chauffe-eau au-dessus du niveau de l'eau) - voir **Figure 29**. Faire l'essai du manostat après avoir modifié les réglages.

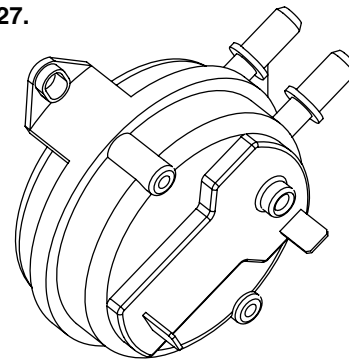
**REMARQUE** : Lorsque le chauffe-eau est installé à plus de cinq pieds (1,5 m) au dessus ou quatre pieds (1,2 m) en dessous du niveau du deck, un manostat ne convient plus. Un interrupteur de débit d'air doit être installé.

**REMARQUE** : Faire fonctionner le chauffe-eau lorsque les réglages du manostat sont incorrects peut provoquer un arrêt du flux de l'eau. Faire fonctionner le chauffe-eau sans un flux d'eau suffisant peut gravement endommager le chauffe-eau.

### COMMUTATEUR HAUTE LIMITE

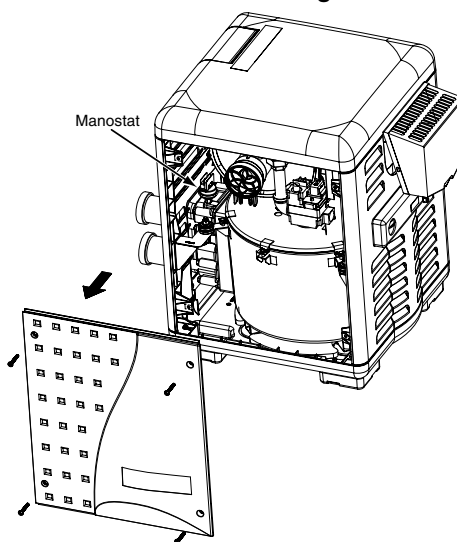
Une commande « Haute Limite », est un outil de sécurité qui ouvre le circuit électrique et ferme le chauffe-eau en se basant sur une température programmée sur le « dispositif de haute limite ». La gamme de chauffe-eau MasterTemp est dotée de deux (2) dispositifs de haute limite qui sont situés sur le collecteur principal d'entrée et de sortie.

Figure 27.

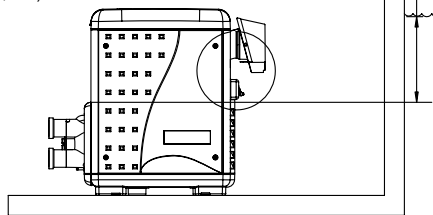


Interrupteur de Débit d'Air

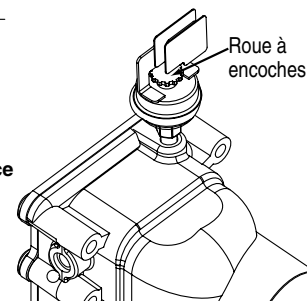
Figure 28.



Tourner la roue à encoches dans le sens **horaire** pour augmenter le point de consigne de la pression si le manostat est à plus de 4 pi (1,2 m) en dessous du niveau de l'eau.



Il y a une échelle de référence sur l'arrière du manostat.



Tourner la roue à encoches dans le sens **antihoraire** pour diminuer le point de consigne de la pression si le manostat est à plus de 5 pi (1,5 m) au-dessus du niveau de l'eau.

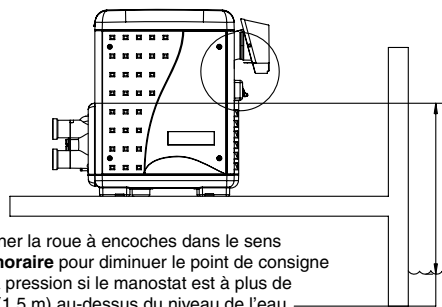


Figure 29.



## COMMANDES DE SÉCURITÉ, (SUITE)

### FONCTIONNEMENT DU MODULE D'ALLUMAGE

Le module d'allumage (voir la [figure 30](#)) est basé dans le microprocesseur et fonctionne sur du courant 24 V c.a. fourni par le transformateur. Le contrôle utilise un microprocesseur pour suivre, analyser et contrôler sans interruption et en toute sécurité, le bon fonctionnement du stabilisateur de flamme. Le module, aidé du détecteur de flamme et utilisant un correcteur de flamme, permet au chauffe-eau de fonctionner.

### FONCTIONNEMENT DU PANNEAU DE COMMANDE

Les cinq touches de fonction sont :

- POOL ON** Appuyer sur cette touche pour que le chauffe-eau soit commandé automatiquement par la température de l'eau de la piscine.
- SPA ON** Appuyer sur cette touche pour que le chauffe-eau soit commandé automatiquement par la température de l'eau du spa.
- HEATER OFF** Appuyer sur cette touche pour mettre le chauffe-eau hors tension.
- ▲ TEMP** Enfoncer ce bouton pour augmenter le réglage de la température.
- ▼ TEMP** Enfoncer ce bouton pour diminuer le réglage de la température.

Pour commuter entre l'affichage en Centigrade (°C) et en Fahrenheit (°F) :

- Mettre le tableau de commande à « OFF ».
- Appuyer sur **▲ TEMP** ou **▼ TEMP** pendant 5 secondes. L'écran d'affichage clignote une fois et change de mode (°C à °F ou vice versa).
- Mettre le tableau de commande sur « ON ».

Lorsqu'un des boutons **▲ TEMP** ou **▼ TEMP** sont enfoncés, l'écran numérique indique le réglage de température. Après cinq secondes, l'écran retourne à la température actuelle de la piscine/spa.

En plus de l'écran affichage numérique, il y a cinq témoins d'état :

Le témoin « **POOL ON** » indique que la température de la piscine commande le chauffe-eau.

Le témoin « **SPA ON** » indique que la température du spa commande le chauffe-eau.

Le témoin « **HEATING** » s'allume et demeure allumé lorsque le brûleur fonctionne. Ce témoin s'allume lorsque le brûleur est allumé. Il clignote lorsque le chauffe-eau fait un appel de chaleur, mais que le brûleur ne s'allume pas. Si le témoin est allumé, mais que le brûleur ne s'allume pas, un des témoins de service devrait être allumé, indiquant une défaillance du système.

Le témoin « **SERVICE SYSTEM** » indique qu'il y a un flux d'eau insuffisant vers le chauffe-eau. Si la pompe fonctionne, cela peut être causé par une obstruction du filtre et/ou de l'écumoire (certains filtres requièrent de faire un cycle de lavage à contre-courant). Si le témoin demeure allumé après avoir fait l'entretien du filtre/écumoire, un technicien d'entretien qualifié doit vérifier le système.

Le témoin « **SERVICE HEATER** » indique une défaillance du chauffe-eau ou du système de commande. Lorsque ce témoin s'allume, mettre le chauffe-eau hors tension (voir « **FERMETURE DE L'ARRIVÉE DE GAZ VERS L'APPAREIL** », [page 33](#)), ET demander à un technicien d'entretien qualifié de vérifier le système.

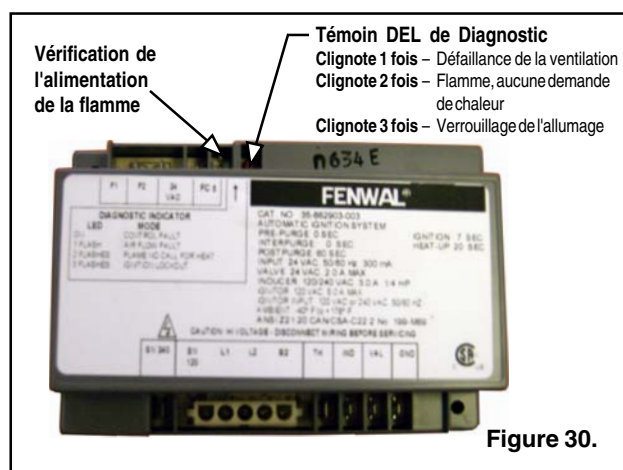


Figure 30.

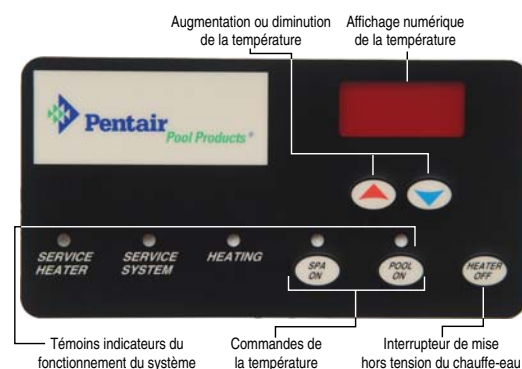


Figure 31.

## ⚠ AVERTISSEMENT

**Risque d'explosion ou d'incendie entraînant des brûlures ou la mort si le système de fermeture de sécurité est désactivé. NE PAS faire fonctionner le chauffe-eau lorsque le témoin « SERVICE HEATER » est allumé ou si la soufflerie ou le brûleur ne démarrent pas. Suivre plutôt la procédure de « FERMETURE DE L'ARRIVÉE DE GAZ » et contacter immédiatement un technicien d'entretien qualifié afin qu'il répare l'appareil.**

## RÉGLAGE DE LA TEMPÉRATURE

La température du chauffe-eau est pré-réglée en usine à 78 °F pour le mode piscine « Pool » et à 100 °F pour le mode spa. À l'aide des flèches (haut et bas), il est possible de régler le thermostat jusqu'à une température minimale de 65 °F et maximale de 104 °F. Si seulement un des deux plans d'eau doit être chauffé, le thermostat peut passer en mode arrêt (OFF) pour l'autre plan d'eau. Par exemple, si uniquement le spa doit être chauffé, maintenir la flèche enfoncée vers le bas de la piscine et le thermostat diminuera le réglage de la température à 65 °F et ensuite passera en mode d'arrêt (OFF).

## RÉGLAGE MAXIMUM DE LA TEMPÉRATURE

1. Déboulonner et retirer les panneaux d'accès, (voir la [figure 32](#)).
2. Accéder au tableau de commande situé sous le panneau supérieur. Trouver la touche jaune dans le coin du tableau de commande.
3. Appuyer sur la touche « **Max. Temp. Set Point** » à l'arrière du tableau de commande (voir la [figure 33](#)).

La séquence suivante doit arriver :

- A. L'appareil se met sous tension et le témoin « **POOL ON** » s'allume.
  - B. Appuyer sur le bouton ▲ **TEMP** ou ▼ **TEMP** (sur le dessus du tableau) pour régler la température maximum de la piscine.
  - C. Attendre 30 secondes; l'appareil se met sous tension et le témoin « **POOL ON** » s'allume. Pour sauter le délai accordé, appuyer sur le bouton « **Max. Temp. Set Point** » à nouveau.
  - D. Appuyer sur le bouton ▲ **TEMP** ou ▼ **TEMP** sur le tableau de commande pour régler la température maximum du spa à 104 °F (40 °C) ou moins.
  - E. Attendre 30 secondes; le témoin « **SPA ON** » s'allume et l'appareil se met hors tension. Pour sauter le délai accordé, appuyer sur le bouton « **Max. Temp. Set Point** » à nouveau.
4. Remettre les panneaux d'accès en place.

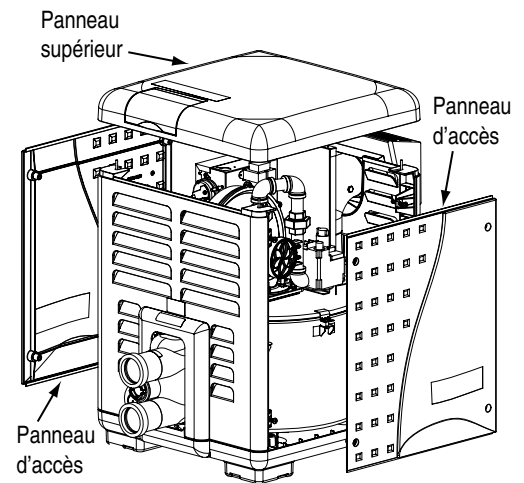


Figure 32.

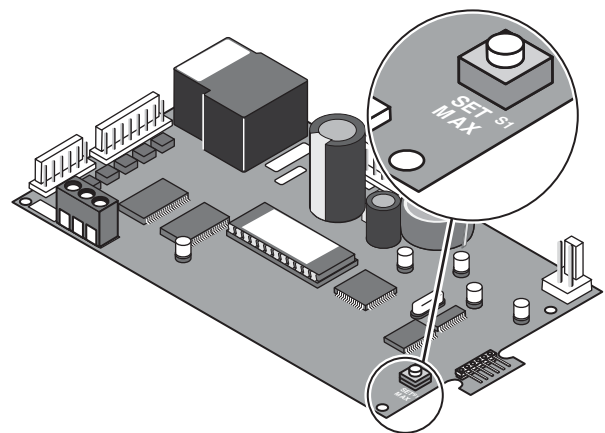


Figure 33.

# Consignes de Dépannage

## Dépannage Initial

Uniquement des techniciens de service professionnels spécialisés avec de l'équipement de vérification approprié doivent faire l'entretien du chauffe-eau. Toute composante du système affecte le fonctionnement du chauffe-eau. Avant de commencer la procédure de dépannage, s'assurer que la pompe fonctionne correctement, qu'il n'y a pas de blocages dans le système, que les soupapes sont adéquatement réglées et la minuterie fonctionne et est correctement programmée.

### IMPORTANT! À LIRE EN PREMIER LIEU!

**REMARQUE :** Si la fiche **noire de 120 V** est installée dans le boîtier de contrôle puis le chauffe-eau est branché à une tension secteur de **240 V**, cela détruira le transformateur, le tableau de commande et le module de commande d'allumage et entraînera l'annulation de la garantie.

Si la fiche rouge de 240 V est installée et que le chauffe-eau est branché à une tension secteur de 120 V, le chauffe-eau ne fonctionnera pas.

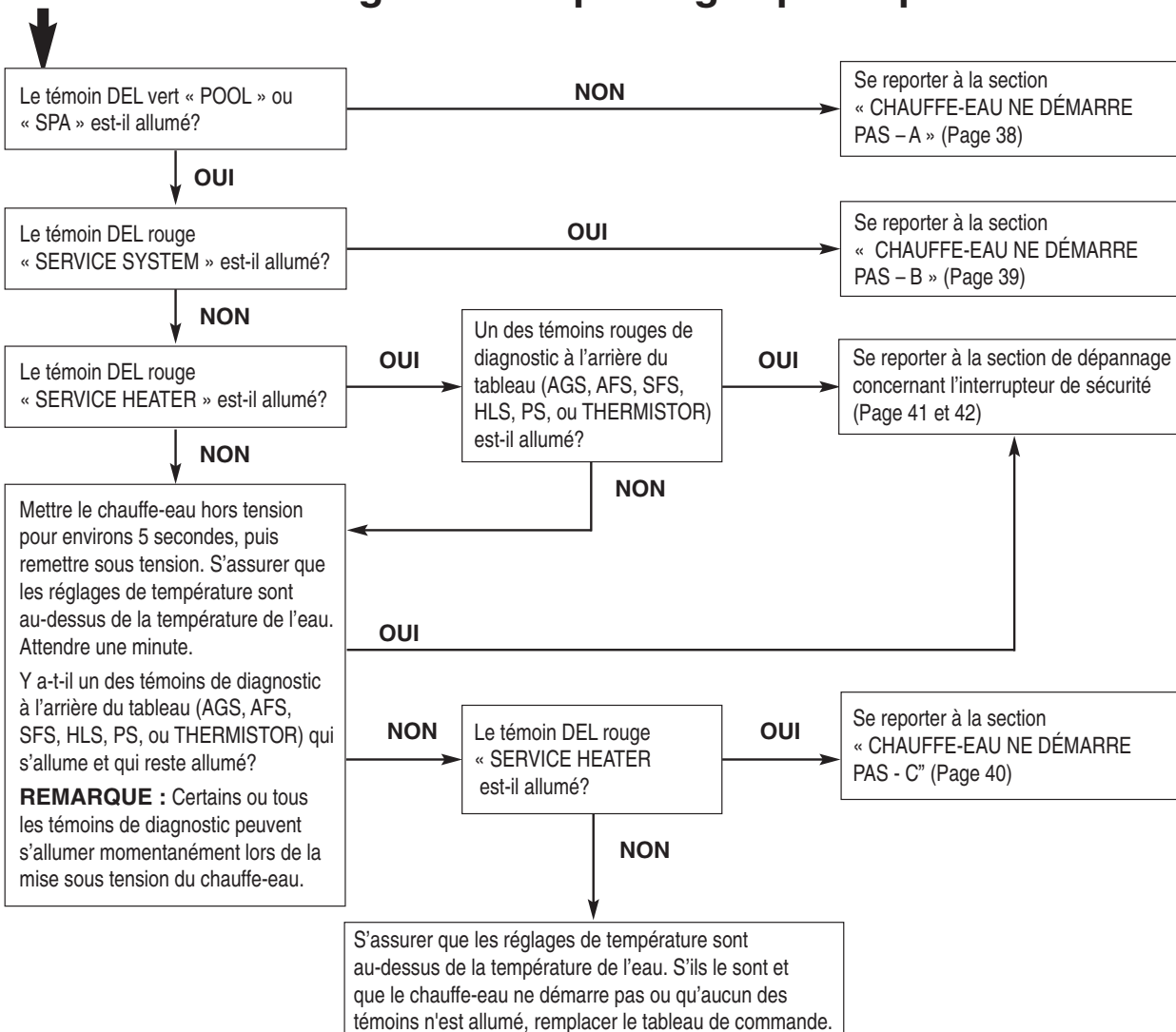
**LIRE ATTENTIVEMENT LES CONSIGNES SUIVANTES :**

1. Vérifier la tension secteur reliée au chauffe-eau. Ce chauffe-eau fonctionne sur une tension de 120 V c.a. ou 240 V c.a.

2. Retirer les couvercles et vérifier le connecteur à 12 broches à l'arrière de la boîte de contrôle. Le connecteur à broches doit correspondre à la tension du circuit du chauffe-eau.

3. Si le connecteur à 12 broches n'est pas branché à l'arrière de la boîte de contrôle, sélectionner le connecteur approprié dans le sac de la boîte de contrôle et le brancher. La fiche **NOIRE** est pour du **120 volts**, la fiche **ROUGE** est pour du **240 volts**.

## Tableau des consignes de dépannage spécifiques

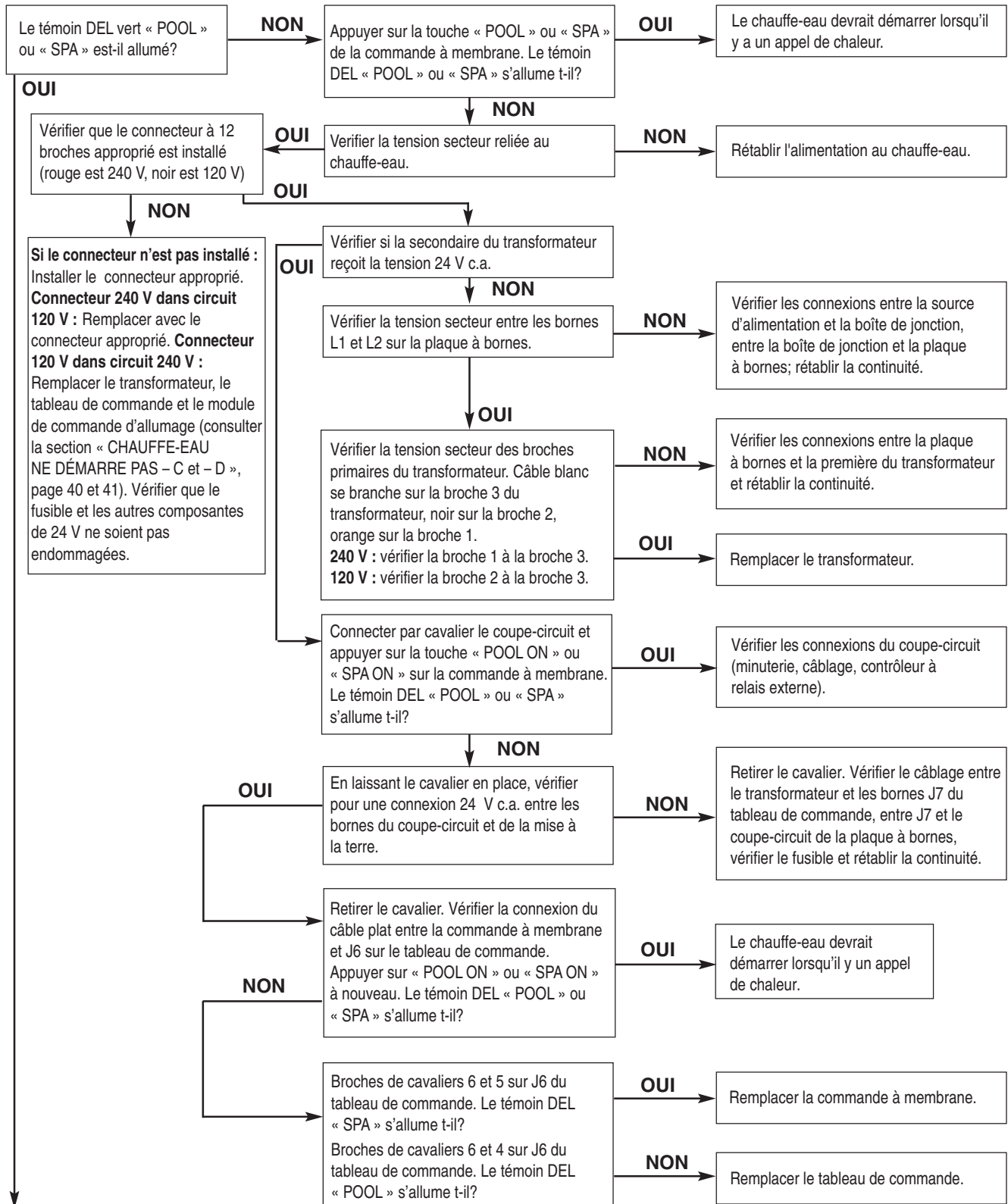


**MISE EN GARDE** Tension dangereuse. Risque de décharge, de brûlure ou de blessure mortelle. Débrancher le courant électrique avant d'effectuer l'entretien d'une des composantes.

**MISE EN GARDE** Risque d'incendie et d'explosion. Ne pas modifier les terminaux pour remédier à un interrupteur de sécurité défaillant.

# Chauffe-eau ne démarre pas - A

## Début

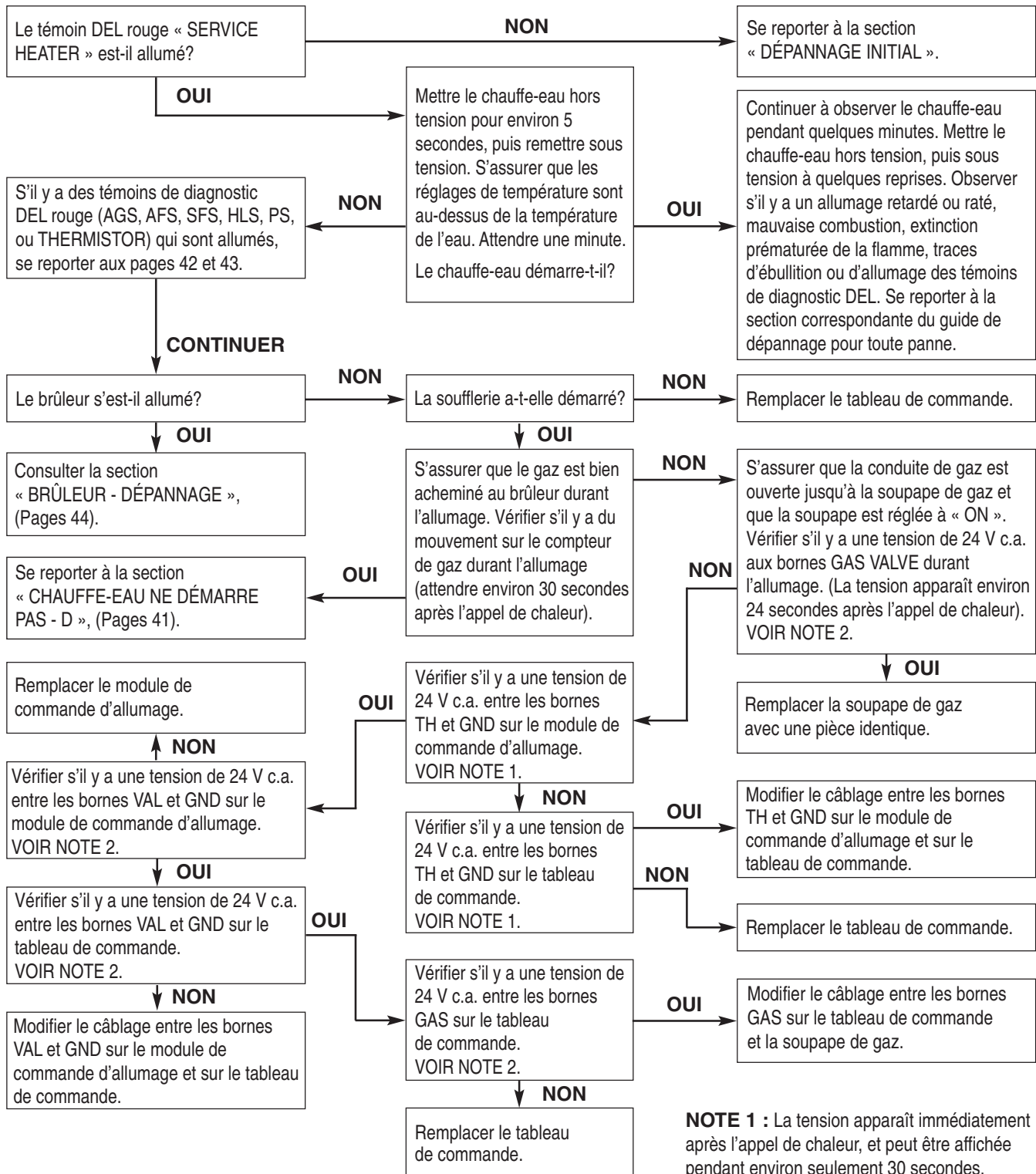


**CONSULTER LE TABLEAU  
 « CHAUFFE-EAU NE DÉMARRE PAS - B »  
 à la page 39**



# Chauffe-eau ne démarre pas - C

## Début



**NOTE 1 :** La tension apparaît immédiatement après l'appel de chaleur, et peut être affichée pendant environ seulement 30 secondes.

**NOTE 2 :** La tension apparaît environ 24 secondes après l'appel de chaleur, et peut être affichée pendant environ seulement 7 secondes.



## Chauffe-eau ne démarre pas - D

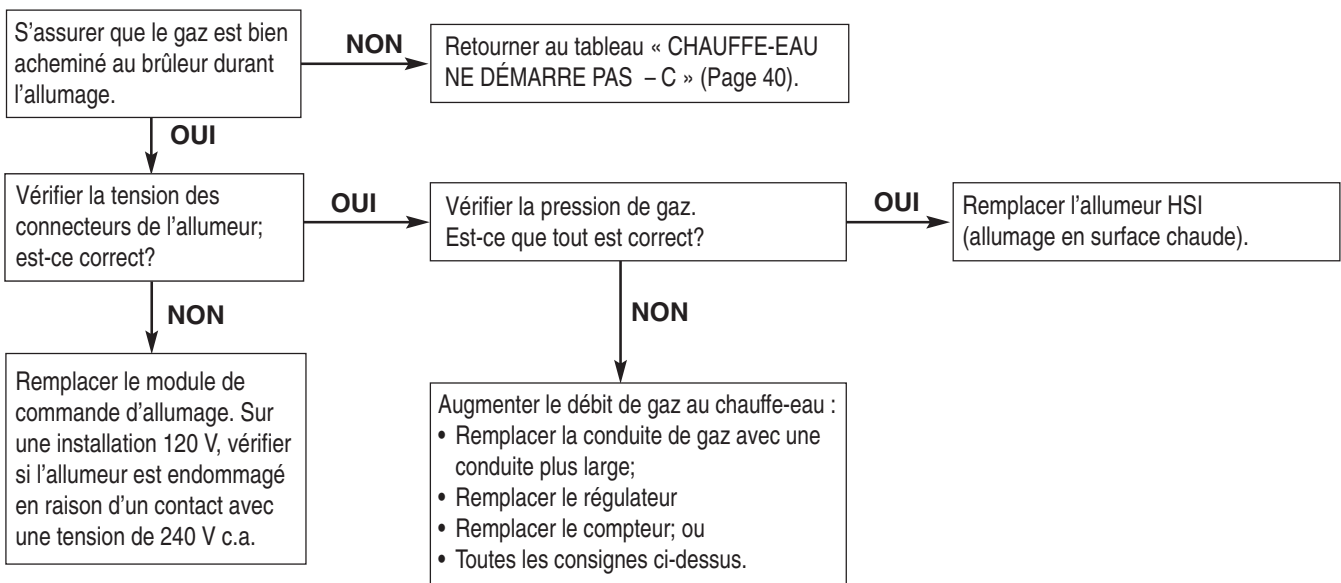
### IMPORTANT! À LIRE EN PREMIER LIEU!

#### IMPORTANT! À LIRE EN PREMIER LIEU!

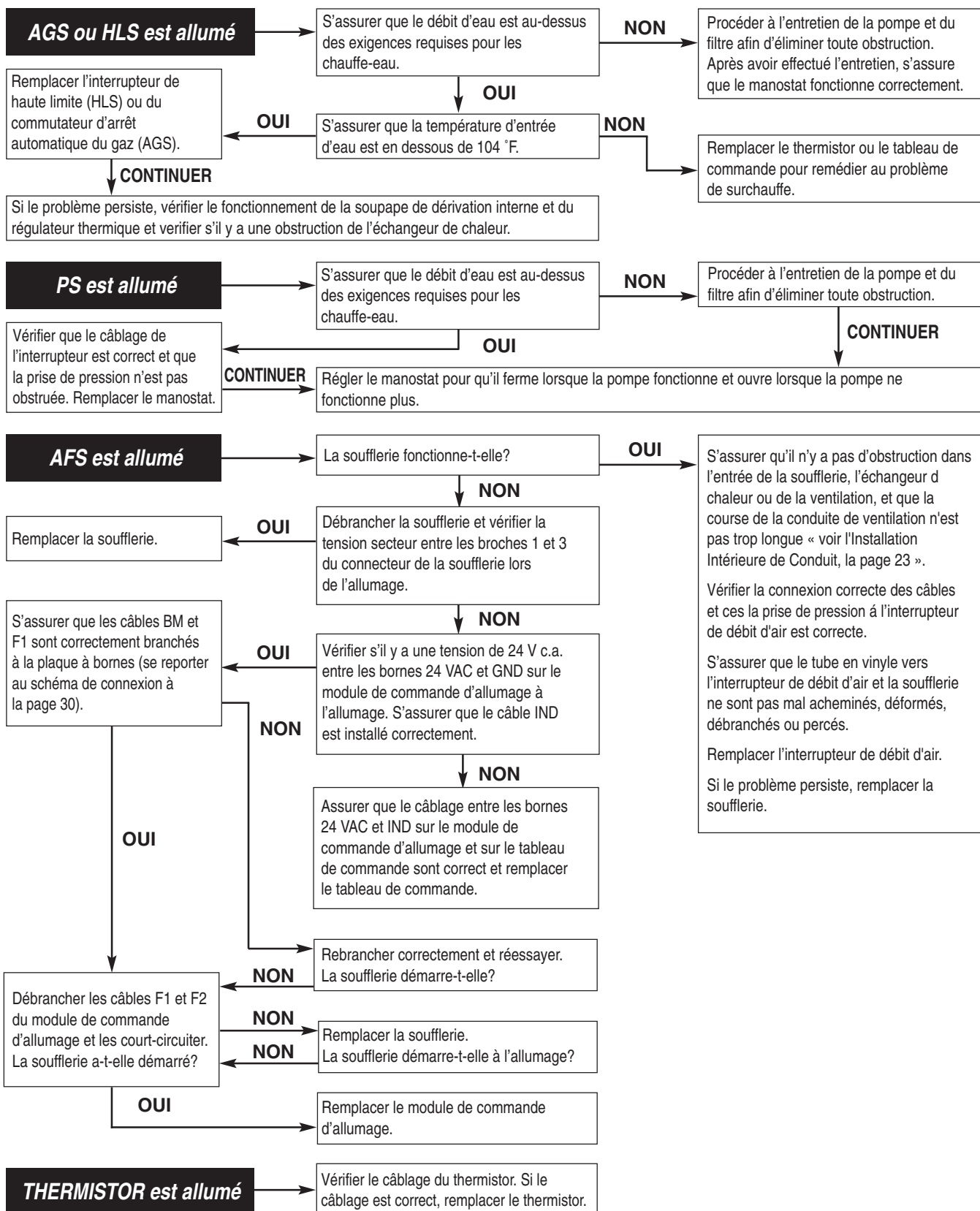
Si votre chauffe-eau est correctement branché à une tension de 240 volts c.a., le module de commande d'allumage converti la tension de 240 V c.a. à une impulsion intermittente à l'allumeur. Les compteurs numériques ne réussissent pas à bien lire ce type de signal. (Un compteur analogique vous donnera une meilleure lecture qu'un compteur numérique).

Si le module de commande d'allumage est défaillant, le voltmètre vous donnera une lecture de 0 V c.a. ou de 240 V c.a. Si le module de commande d'allumage fonctionne, le voltmètre donnera une lecture entre 0 V c.a. et 240 V c.a. La lecture obtenue dépend du compteur, mais avec un module de commande d'allumage qui fonctionne bien, la lecture ne sera pas de 0 V c.a. ou de 240 V c.a., mais entre les deux.

### Début



## Témoins DEL de diagnostic : AGS, AFS, HLS, PS, THERMISTOR

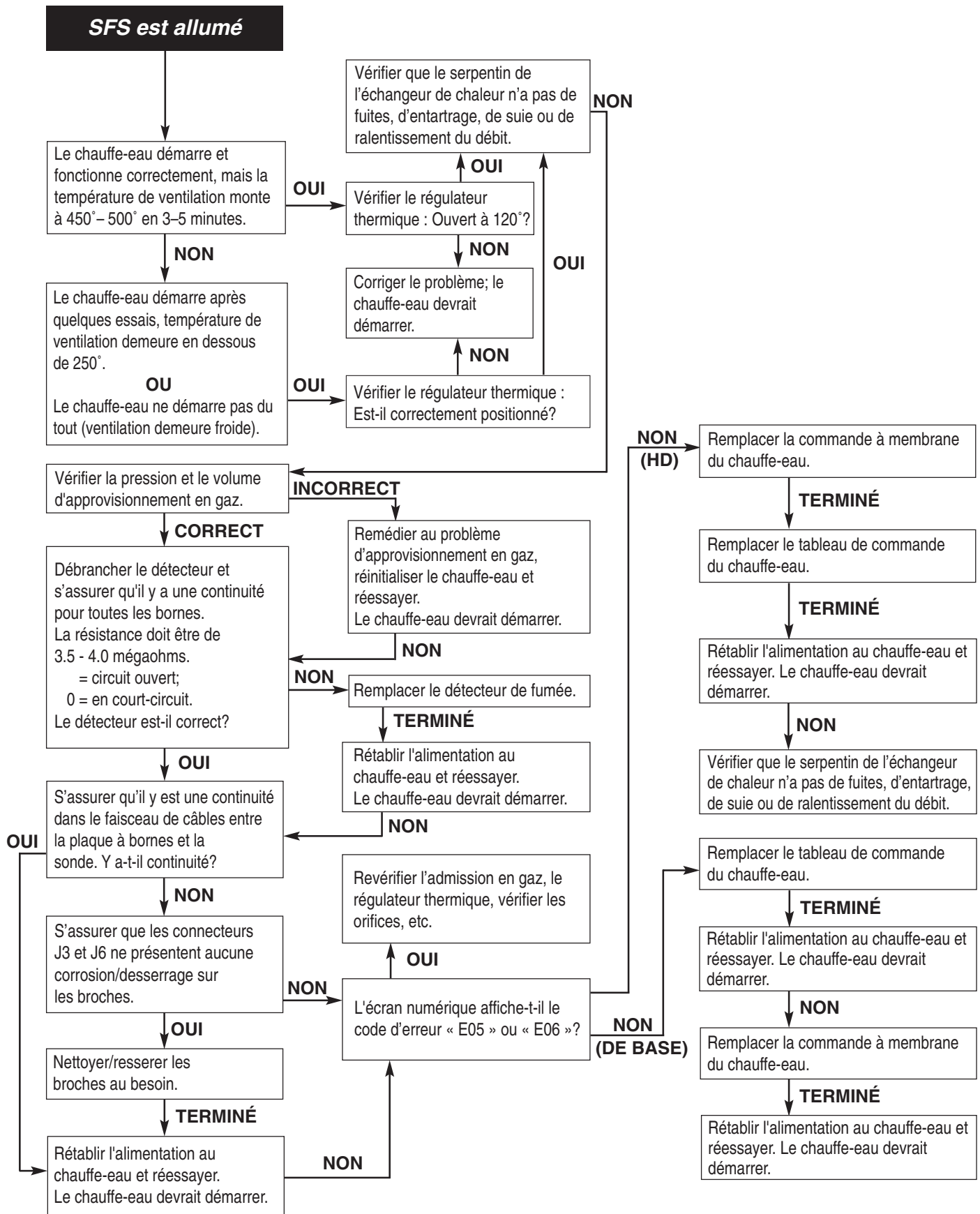


**ATTENTION** Ne pas court-circuiter un interrupteur de sécurité pour remédier à un interrupteur défectueux.

**Note** : ES1 en est un de rechange et peut être mis en dérivation.



## Témoins DEL de diagnostic : SFS



## Dépannage du brûleur

<b>SYMPTÔMES</b>	<b>CAUSE</b>	<b>SOLUTION</b>
Sifflement aigu intense	Flamme trop grande.	Vérifier la prise de pression entre la soupape de gaz et l'entrée de soufflerie. Se reporter à la page 15 et vérifier que le réglage du régulateur de gaz est à -0,2 po CE (-0,5 cm). Contacter un technicien qualifié ou le service d'entretien afin qu'il remplace l'orifice de gaz.
Flamme sautille. L'air d'évacuation a une odeur âcre ou le brûleur ne demeure pas allumé.	Flamme trop faible.	Se reporter à la page 15 et vérifier que le réglage du régulateur de gaz est à -0,2 po CE (-0,5 cm). Contacter un technicien qualifié ou le service d'entretien afin qu'il remplace l'orifice de gaz.
Le brûleur fonctionne par coups ou brusquement, surtout durant l'allumage.	La course de la conduite d'évacuation est trop longue.	Réduire la course de la conduite d'évacuation et/ou le nombre de coude.
La combustion semble normale, mais la flamme ne demeure pas allumée.	Le courant de la flamme n'est pas détecté.	S'assurer que l'allumeur n'est pas mouillé ou endommagé avec une faible résistance de mise à la terre. Remplacer l'allumeur. S'assurer que le stabilisateur de flamme est bien mis à la terre. Remplacer le module de commande d'allumage.

## Dépannage – Brûleur/Échangeur de chaleur

<b>SYMPTÔMES</b>	<b>CAUSE</b>	<b>SOLUTION</b>
Traces d'ébullition dans l'échangeur de chaleur. Peut être accompagné de battements sonores.	Entrée d'eau vers chauffe-eau faible. Echangeur de chaleur obstrué. Soupape de dérivation bloquée en position ouverte. Régulateur thermique bloqué en position fermée.	Procéder à l'entretien de la pompe ou du filtre. Procéder à l'entretien de l'échangeur de chaleur. Corriger la composition chimique de l'eau. Procéder à l'entretien de la soupape de dérivation. Remplacer le régulateur thermique.
Ressuage.	Le régulateur thermique fait défaut.	Remplacer le régulateur thermique.

# Consignes d'entretien

## CONSIGNES D'ENTRETIEN

### ⚠ AVERTISSEMENT

**Risque d'incendie ou d'explosion en présence de vapeurs inflammables.** Ne pas ranger d'essence, produits nettoyants, vernis, peintures ou autres liquides volatiles inflammables près du chauffe-eau ou dans la même pièce que le chauffe-eau.

Il est recommandé de vérifier les pièces suivantes au moins tous les six mois et au début de chaque nouvelle saison de baignade.

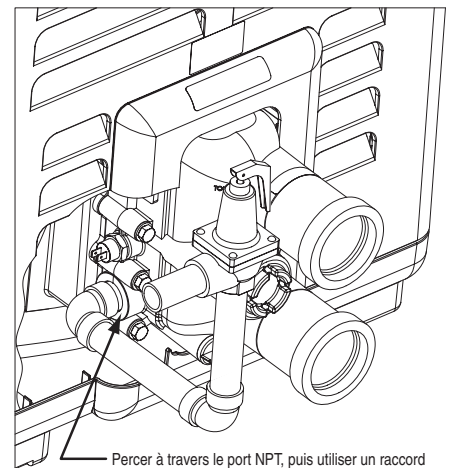
1. Examiner les panneaux et le système d'évacuation afin de s'assurer qu'il n'y a rien qui puisse faire obstruction au débit d'air nécessaire à la combustion et à la ventilation. S'assurer que les entrées d'air sont ouvertes et non obstruées.
2. S'assurer qu'il n'y a aucun matériau combustible, essence et autre gaz ou liquide inflammables à proximité du chauffe-eau.
3. Il faut vérifier le fonctionnement de la soupape de surpression en levant la manette de la soupape.
4. S'assurer que le manostat fonctionne correctement. (Voir « MANOSTAT » pour les consignes de vérification).
5. Pour les installations fermées avec un système d'évacuation de gaz à haute température, refaire la procédure « Liste de contrôle d'installation », page 27. Inspecter les conduites contre la présence de fuite provenant des joints. S'assurer que les joints sont étanches ou qu'ils ne sont pas déplacés ou séparés. Examiner les tuyaux pour des fissures ou des cassures. Le ventilateur d'air de combustion est lubrifié en permanence, il n'est pas nécessaire de le lubrifier. Le brûleur ne requiert aucun entretien ou ajustement à faire par l'utilisateur. Si le brûleur requiert un entretien, il faut contacter un technicien d'entretien qualifié pour l'examiner.

## SOUPAPE DE SURPRESSION

Quelques codes locaux américains et le code canadien exigent l'installation d'une soupape de surpression (PRV). Acheter séparément et installer une soupape de surpression de ¾ po se conformant au ANSI/ASME Boiler and Pressure Vessel Code, ayant une capacité égale au BTU/heure du chauffe-eau. Le taux de délestage de la soupape NE DOIT PAS EXCÉDER 50 PSI.

Une soupape de surpression doit être installée à la verticale. Pour installer la vanne, utiliser un raccord en cuivre de ¾ po. x 2 po. au niveau du collecteur, les deux coudes et raccords sont (fournis par l'utilisateur), tel qu'illustré dans la **Figure 34**. Il est interdit de placer une soupape entre l'adaptateur du collecteur et la soupape de surpression

Afin d'éviter les dégâts d'eau et les brûlures dues à l'opération de la soupape de surpression, installer un drain dans la sortie de la soupape de surpression qui dirigera l'eau provenant de la soupape vers un tuyau d'évacuation. Ne pas installer de raccord de réduction ou de soupapes dans le tuyau d'évacuation. Le tuyau d'évacuation doit être installé de manière à permettre une évacuation complète de la soupape et du tuyau de drainage. **La soupape de surpression doit être contrôlée au moins une fois par année en levant la manette de la soupape.**



Perçer à travers le port NPT, puis utiliser un raccord fileté de ¾ po et un coude en laiton (fourni par l'utilisateur) pour une installation d'une soupape de surpression.

**Figure 34.**

### ⚠ AVERTISSEMENT

**Risque d'explosion.** Tout chauffe-eau doté de dispositifs de restriction dans le système de canalisation en aval du chauffe-eau, (incluant clapets de non-retour, robinet d'isolement, tuyère ou soupapes pour bain thérapeutique), doit être installé avec une soupape de surpression tel qu'indiqué ci-dessus.

## APRÈS LA MISE EN ROUTE

### VÉRIFICATION DE L'ENTRÉE D'EAU

#### AVERTISSEMENT

**Risque d'incendie ou d'inondation.** Si l'appareil surchauffe et que le brûleur ne s'éteint pas, suivre la procédure de « FERMETURE DE L'ARRIVÉE DE GAZ » à la page 33 et contacter immédiatement un technicien d'entretien qualifié afin qu'il répare l'appareil.

Après la mise en route, la conduite de sortie doit être légèrement plus tiède que la conduite d'entrée. Si elle est plus chaude ou si elle bout dans le chauffe-eau, il se peut qu'il n'y ait pas suffisamment d'eau qui entre dans l'appareil. S'assurer que le filtre n'est pas obstrué. Si la température de l'eau demeure élevée, mais que le chauffe-eau fonctionne toujours, fermer l'appareil et contacter un technicien d'entretien qualifié.

### UTILISATION PRINTANIÈRE ET AUTOMNALE

Si la piscine n'est utilisée qu'occasionnellement, abaisser le thermostat à 65°F (20 °C) et laisser fonctionner le chauffe-eau. Cela maintiendra la piscine et la terre environnante à une température assez chaude, et l'on pourra rétablir une température de baignade plus confortable en dedans d'une journée.

### UTILISATION HIVERNALE

#### ATTENTION

- Faire fonctionner ce chauffe-eau, de façon continue, à des températures de l'eau inférieure à 68 ° F, peut entraîner des problèmes liés à la condensation et endommager le chauffe-eau, ce qui pourrait entraîner l'annulation de la garantie.
- Lorsque le chauffe-eau a été vidangé de toute l'eau, il est important de ne pas le remettre sous tension (ON) sans que de l'eau ne circule dans ses conduites à nouveau.
- En raison du gel, si de l'eau reste emmagasinée dans l'échangeur d'air ou les collecteurs des dommages à ces derniers pourraient survenir. Les dommages faits à l'échangeur de chaleur, en raison d'un mauvais équilibre chimique, ne sont pas couverts par la garantie.
- Lors de l'ouverture de la saison de baignade, le chauffe-eau peut être utilisé pour chauffer une eau ayant une température de l'eau en dessous de 50 ° F (10 ° C); cependant, s'assurer que le chauffe-eau fonctionne continuellement jusqu'à ce que la température de l'eau atteigne la température minimum programmée de 68 ° F (20 ° C). Par temps froid lorsque l'eau ne risque pas de geler, faire fonctionner la pompe du filtre même si le chauffe-eau ne fonctionne pas. Si la température doit chuter en dessous du point de congélation (32 ° F/0 ° C), fermer le chauffe-eau et procéder à l'hiverner.

Pour les chauffe-eau installés dans les endroits où il y a risque de gel, fermer l'appareil et le vidanger pour l'hiver de la façon suivante :

1. Couper toute alimentation au chauffe-eau et à la pompe.
2. Fermer la soupape d'arrivée principale du gaz et la soupape manuelle d'arrivée du gaz (située à l'extérieur du chauffe-eau). Fermer l'interrupteur de la soupape du gaz du chauffe-eau (OFF).
3. Dans le climat plus froid, où ils pourraient être exigés, ouvrir le robinet de vidange situé dans le fond de l'adaptateur du collecteur, et vidanger l'échangeur de chaleur et l'adaptateur du collecteur complètement. Si le chauffe-eau est en dessous du niveau de l'eau, s'assurer de fermer les soupapes d'isolement pour empêcher de vider la piscine (les soupapes d'isolement ne sont pas requises et ne devraient pas être utilisées sur les chauffe-eau installés au-dessus du niveau de l'eau, sauf lorsque nécessaire pour vidanger les soupapes pour l'hiver). Il est possible d'utiliser de l'air comprimé pour vidanger le système de l'échangeur de chaleur jusqu'au raccord du manostat (moins de 5 PSI ou 35 kPa).

#### AVERTISSEMENT

**Risque d'explosion.** Purger le système avec de l'air comprimé pourrait causer l'explosion de certaines composantes, et entraîner d'importantes blessures ou la mort aux personnes se tenant à proximité. Utiliser uniquement un compresseur basse pression (en dessous de 5 PSI ou 35 kPa) à grands volumes d'air pour purger le chauffe-eau, la pompe, le filtre ou la canalisation.

4. Retirer le manostat. Brancher le port dans le collecteur afin d'éviter que des insectes et de la saleté s'infiltrent dans le collecteur.
5. Vidanger à partir du collecteur d'entrée/de sortie en plastique à la conduite de sortie. Si la conduite ne se vidange pas naturellement vers la piscine, installer un robinet de vidange sur la conduite de sortie pour vider le collecteur.
6. Couvrir la grille d'entrée d'air avec un sac en plastique afin d'éviter que des insectes, feuilles, etc. entrent dans le chauffe-eau.

**REMARQUE :** L'eau restante dans le chauffe-eau, en gelant peut endommager l'appareil. Laisser geler le chauffe-eau entraîne l'annulation de la garantie.

Mise en route du chauffe-eau après l'hivernisation :

1. Fermer le robinet de vidange et les raccords.
2. Avant de mettre en route le chauffe-eau, faire circuler de l'eau à travers l'appareil durant plusieurs minutes, jusqu'à ce que tous bruits d'air s'arrêtent. Voir également « AVANT LA MISE EN ROUTE » (page 32) ET « CONSIGNE D'ENTRETIEN » (page 45).

(Voir les remarques supplémentaires sous la section *Consignes importantes dans l'Introduction.*)

## MAINTIEN DE LA TEMPÉRATURE DE L'EAU

Afin de maintenir la température de l'eau, s'assurer que l'interrupteur et la robinetterie du chauffe-eau soient réinitialisés aux réglages de la piscine après avoir utilisé le spa.

### CONSEIL POUR ÉCONOMISER DE L'ÉNERGIE

1. Recouvrir la piscine ou le spa lorsqu'ils ne sont pas utilisés. Cela réduit la facture de chauffage, l'évaporation de l'eau, augmente la durée d'efficacité des produits chimiques et réduit la charge du système de filtration.
2. Réduire la température du thermostat de la piscine à 78 °F (25 °C) ou plus bas, à 100 °F (38 °C) pour le spa. C'est la température reconnue par la Croix Rouge Américaine comme étant la plus saine pour la baignade.
3. Utiliser une minuterie pour que le système de filtration ne démarre qu'à partir de 6 h. L'eau de la piscine perd moins de chaleur après la levée du soleil.
4. Pour les piscines qui ne sont utilisées que le week-end, abaisser le thermostat de 10 °F à 15 °F (5 °C à 8 °C) durant la semaine pour éviter la perte de chaleur. Un chauffe-eau qui est de la dimension appropriée pour la piscine rétablit la température en une journée.
5. Si le chauffe-eau ne doit pas être utilisé pendant une période prolongée, mettre ce dernier hors tension.
6. Établir un programme d'entretien régulier pour le chauffe-eau à chaque nouvelle saison. Contrôler le fonctionnement du chauffe-eau et de toutes ces commandes.

## L'ÉQUILIBRE CHIMIQUE DE L'EAU

### EAU DE PISCINE ET SPA

Le chauffe-eau Pentair a été spécialement conçu pour votre piscine ou votre spa, et vous permettra d'apprécier des années d'entretien facile, à condition de maintenir un bon équilibre chimique de l'eau.

Une qualité d'eau exceptionnelle découle directement d'un bon entretien préventif. Lorsqu'un chlorinateur est utilisé, s'assurer qu'il est installé en aval du chauffe-eau et à une hauteur moindre de la sortie du chauffe-eau. Installer une soupape de sécurité anti-corrosion parfaitement étanche (P/N R172288) entre le chlorinateur et le chauffe-eau afin d'éviter le contre-siphonnement de produits chimiques concentrés ne s'infilte dans le chauffe-eau. Le contre-siphonnement se produit le plus fréquemment lorsque la pompe s'arrête, créant ainsi une différence de pression. Ne PAS nettoyer la piscine en mettant des rondelles ou des bâtonnets de chlore dans l'écumoire. Lorsque la pompe est hors tension, ceci entraîne une haute concentration de chlore à entrer dans le chauffe-eau, et pourrait corroder l'échangeur de chaleur.

Les trois causes principales de défaillances du chauffe-eau sont : un pH mal réglé, des résidus de désinfectant, et une alcalinité totale. Si l'équilibre de ces trois facteurs n'est pas maintenu comme il se doit, le chauffe-eau aura une durée de vie plus courte et subira des dommages irréparables.

### **⚠ ATTENTION**

**Les dommages faits à l'échangeur de chaleur, en raison d'un mauvais équilibre chimique, ne sont pas couverts par la garantie.**

### EFFET D'UN DÉSINFECTANT

Deux invités indésirables dans sa piscine sont les algues et les bactéries. Pour s'en débarrasser et rendre l'eau propre à la baignade - ainsi que pour améliorer le goût, l'odeur et la clarté - il faut utiliser certains types de désinfectants.

Chlore et brome sont approuvés et reconnus dans le monde entier par les autorités sanitaires comme étant des agents désinfectants pour le contrôle des bactéries.

### QU'EST-CE QU'UN RÉSIDU DE DÉSINFECTANT?

Lorsqu'on ajoute du chlore ou du brome à l'eau de baignade, une part du désinfectant sera consommé pendant la destruction des bactéries, algues et autres matières oxydables. Le désinfectant restant est appelé résidu de chlore ou résidu de brome. On peut mettre en évidence ce résidu grâce à un test fiable disponible chez votre fournisseur de produits pour piscines.

Il faut maintenir un niveau de résidu suffisant pour assurer une destruction continue des bactéries et virus introduits dans l'eau par les nageurs, mais aussi par l'air, la poussière, la pluie et les autres facteurs de propagation.

## L'ÉQUILIBRE CHIMIQUE DE L'EAU (SUITE)

Il est sage de contrôler l'eau de baignade régulièrement. Le niveau résiduel de chlore ne doit pas descendre en dessous de 0,6 ppm (pièces par million). Le niveau résiduel minimum pour une action efficace est de l'ordre de 1,4 ppm.

**pH** - ce terme fait référence à l'équilibre acide/basique (alcalin) de l'eau et s'exprime sur une échelle allant de 0 à 14. Un test de mesure du pH est disponible chez votre fournisseur de produits pour piscines; voir [tableau 12](#).

L'acide chlorhydrique a un pH égal à 0. Une eau pure a un pH de 7 (neutre). Une solution de lessive faible a un pH égal à 13-14.

**RÈGLE :** le pH doit être maintenu entre 7,4 et 7,6. Il est primordial de respecter un pH adéquat, voir [tableau 12](#).

**Si le pH devient trop élevé (alcalin), les effets suivants seront constatés :**

1. Réduction de la puissance de destruction des bactéries et des algues du chlore.
2. L'eau devient trouble.
3. Le risque de formation de moisissure sur le plâtre et l'échangeur de chaleur est accru.
4. Les particules du filtre peuvent se bloquer.

**Si le pH est trop faible (plus acide), on peut rencontrer les effets suivants :**

1. Brûlure importante des yeux et irritation de la peau.
2. Érosion du plâtre.
3. Corrosion des fixations métalliques du système de filtration et de recyclage, ce qui peut faire des taches marron, bleues, vertes, ou parfois presque noires, sur le plâtre.
4. Corrosion du cuivre dans le chauffe-eau, ce qui peut causer des fuites.
5. Si vous possédez un filtre pour le gravier et le sable, le sulfate d'aluminium utilisé dans le filtre peut se dissoudre et passer à travers le filtre.

**ATTENTION :** Ne pas tester le pH lorsque le taux résiduel du chlore est égal ou supérieur à 3,0 ppm, ou 6,0 ppm pour le brome. Demander l'aide de votre fournisseur de produits pour piscines pour établir le bon équilibre chimique de l'eau.

**RÈGLE :** Les produits chimiques acides abaissent le pH. Les produits chimiques alcalins augmentent le pH.

**ALCALITÉ Haute ou basse :**

« L'alcalinité totale » est la mesure de la quantité totale de produits chimiques alcalins contenue dans l'eau, et aide à maintenir le pH à un bon niveau. (On ne parle pas du même pH, qui fait simplement référence à l'équilibre relatif d'acidité/alcalinité). L'alcalinité totale de la piscine doit être de 100-140 ppm pour permettre un contrôle de pH plus facile.

Un test d'alcalinité totale est simple à réaliser à l'aide d'un ensemble fiable. Il faudra faire ce test au moins une fois par semaine et faire les ajustements qui conviennent jusqu'à ce que l'alcalinité atteigne un niveau acceptable. Par la suite, conduire ce test environ une fois par mois pour s'assurer que ce même niveau est maintenu. Demander l'aide de votre fournisseur de produits pour piscines pour établir le bon équilibre chimique de l'eau.

### PARAMÈTRES DE LA COMPOSITION CHIMIQUE DE L'EAU

Tableau 12.

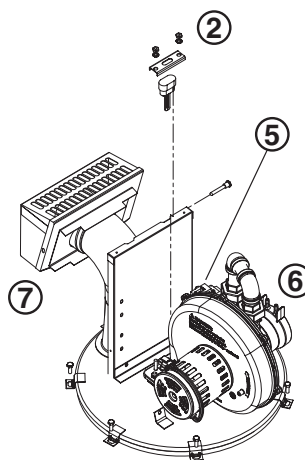
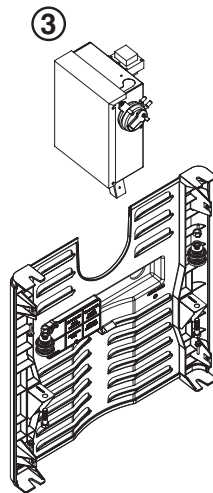
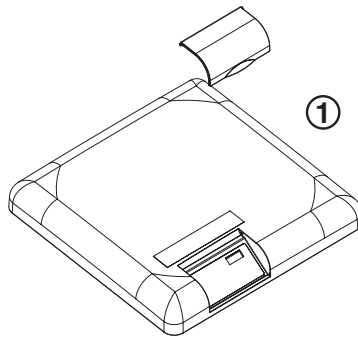
Niveaux de désinfectants	Minimum	Idéal	Maximum
Chlore libre, ppm	1.0	2.0-4.0	10.0
Chlore combiné, ppm	Aucun	Aucun	0.2
Brome, ppm	2.0	4-6	10.0
Autres désinfectants	Niveaux non établis Consulter les autorités sanitaires locales avant d'en faire l'utilisation.		
<b>Valeurs chimiques</b>			
pH	7.2	7.4-7.6	7.8
Alcalinité totale (Tampon), ppm en tant que CaCO <sub>3</sub>	60	80-100	180
Teneur totale en matières dissoutes, ppm	S/O	S/O	1,500 ppm > TDS au démarrage*
Dureté calcique, ppm en tant que CaCO <sub>3</sub>	150	200-400	500-1,000
Métaux lourds	Aucun	Aucun	Aucun
<b>Valeurs biologiques</b>			
Algues	Aucun	Aucun	Aucun
Bactéries	Aucun	Aucun	Consulter les codes locaux

**REMARQUE :** Le non-respect de la liste des paramètres de la composition chimique de l'eau peut provoquer une défaillance prématurée de l'échangeur de chaleur et entraîne l'annulation de la garantie.

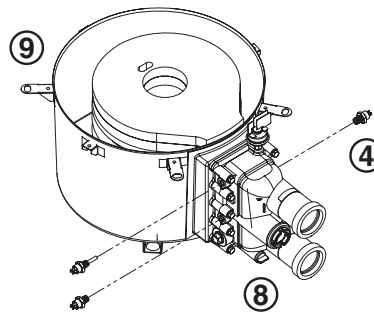
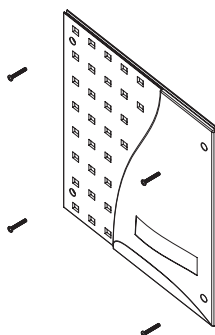
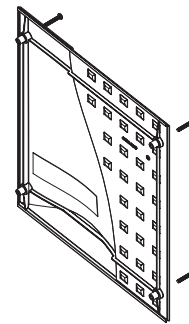
\*La TSD au démarrage inclut les TSD dans l'eau de source et autres sels minéraux ajoutés au démarrage.

## PIÈCES DE REMPLACEMENT MASTERTEMP™

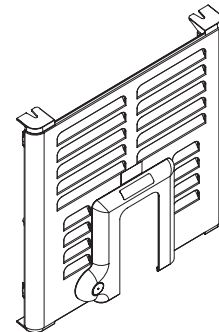
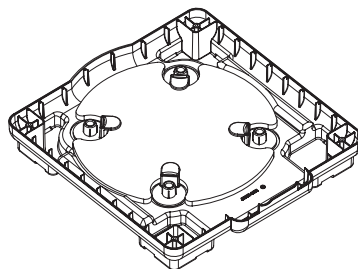
Pour une liste complète de toutes les pièces du Système Électrique (Pièces no 1 à 4), se reporter à la page 53.



Pour une liste complète de toutes les pièces du Système de Brûleur (Pièces n° 5 à 7), se reporter à la page 51.



Pour une liste complète de toutes les pièces du Système de Plomberie (Pièces no 8 à 9), se reporter à la page 52.



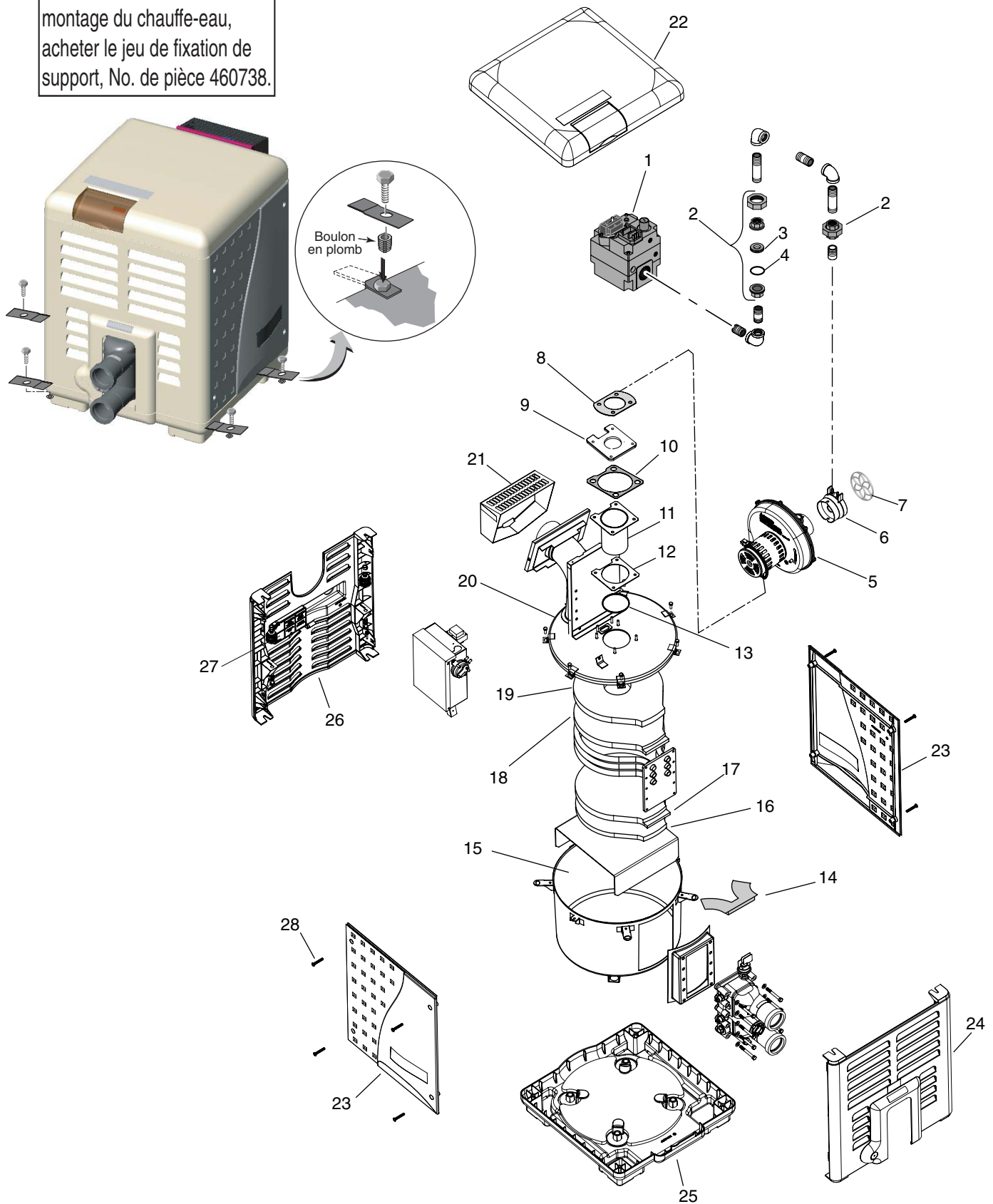
**Les pièces de remplacement sont disponibles chez les détaillants Pentair.**

Si vous ne pouvez vous les procurer chez votre détaillant, contactez le service à la clientèle au 1-800-831-7133.



## PIÈCES DE REMPLACEMENT MASTERTEMP™

Pour les vis et colliers de montage du chauffe-eau, acheter le jeu de fixation de support, No. de pièce 460738.



# PIÈCES DE REMPLACEMENT MASTERTEMP™

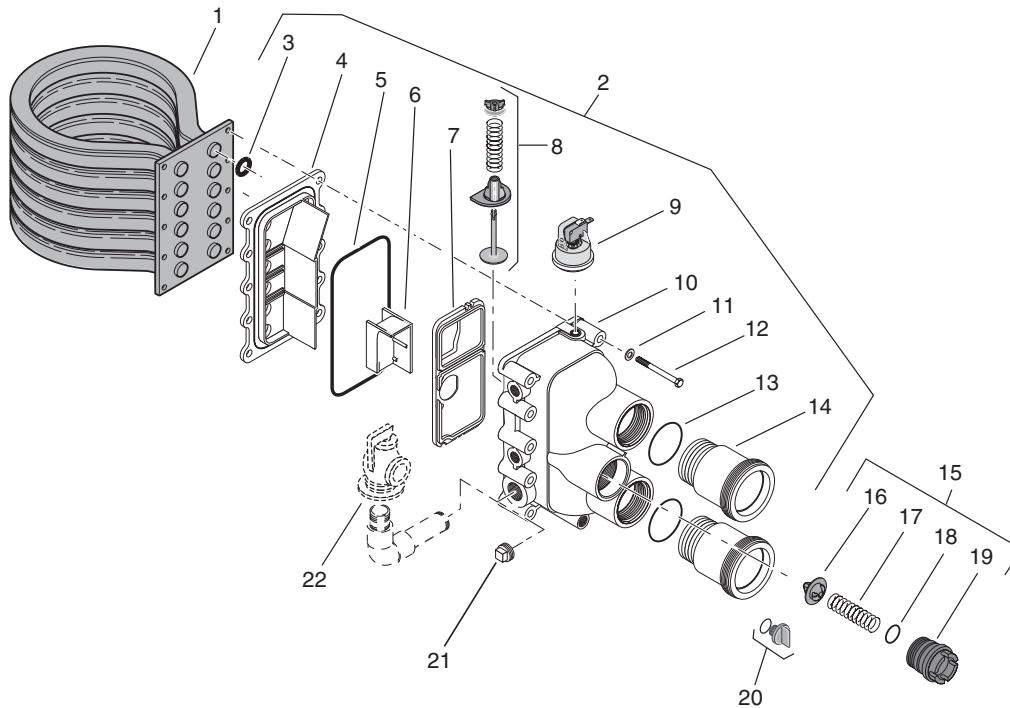
## PIÈCES DE REMPLACEMENT – COMPOSANTES DU BRÛLEUR

Numéro de pièce	Description	Qté.	Modèle				
			175NA 175LP	200NA 200LP	250NA 250LP	300NA 300LP	400NA 400LP
1	Ensemble de soupape de gaz combiné	1	42001-0051S	42001-0051S	42001-0051S	42001-0051S	42001-0051S
2	Raccord union ¾ po	2	38404-4097S	38404-4097S	38404-4097S	38404-4097S	38404-4097S
3	Orifice de gaz	1					
4	Joint torique de l'orifice de gaz	1					
	• Ensemble pour orifice de gaz – Gaz naturel (Incl. N° de pièce 3 et 4)†		460794	77707-0431	460739	460753	77707-0411
	• Ensemble d'orifice de gaz – Propane (Incl. N° de pièce 3 et 4)†		460795	77707-0461	460740	460754	77707-0441
	• Ensemble de conversion gaz naturel à propane (Incl. N° de pièce 3 et 4)†		460794	77707-1461	460741	460755	77707-1441
	• Ensemble de conversion propane à gaz naturel (Incl. N° de pièce 3 et 4)†		460795	77707-1431	460742	460756	77707-1411
5	Ensemble de soufflerie à air						
	Appareils au gaz naturel	1	77707-0251	77707-0251	460743	460757	77707-0253
	Appareils au gaz propane	1	77707-0254	77707-0254	460744	460758	77707-0256
	• Ensemble pour orifice d'air (Incl. N° de pièce 6 et 7)	1	460798	77707-0111	460745	460759	77707-0113
6	Orifice d'air	1					
7	Grille d'orifice d'air	1	42001-0114S	42001-0114S	42001-0114S	42001-0114S	42001-0114S
	• Soufflerie/Ensemble de joint d'adaptateur de plaque (Incl. N° de pièce 8, 9, 10, 12)	1	77707-0011	77707-0011	77707-0011	77707-0011	77707-0011
	• Stabilisateur de flamme (Incl. N° de pièce 10, 11, 12, 13 et sur 300 et 400) modèles seulement – Insert de stabilisateur de flamme	1	77707-0202	77707-0202	460746	77707-0203	77707-0204
8	Soufflerie/Ensemble de joint pour adaptateur de plaque	1					
9	Plaque d'adaptation de soufflerie	1					
10	Stabilisateur de flamme/Joint pour plaque d'adaptation	1					
11	Module de stabilisation de flamme	1					
12	Stabilisateur de flamme/Joint de chambre de combustion*	1					
13	Bouchon d'isolation du stabilisateur de flamme	1					
	• Insert de stabilisateur de flamme	1					
14	Plaque d'évaporation de condensats	1					
15	Chambre monobloc de métal/Module de la chambre à combustion						
	Ensemble	1	42001-0200S	42001-0200S	42001-0200S	42001-0200S	42001-0200S
	• Ensemble d'isolation (Incl. pièces n° 13, 14, 16, 17, 18 et 19)	1	77707-0008	77707-0008	77707-0008	77707-0008	77707-0008
16	Plaque d'isolation extérieure inférieure*	1					
17	Isolation inférieure intérieure de 1 po	1					
18	Isolation supérieure de 1 po	1					
19	Plaque d'isolation extérieure supérieure*	1					
	• Isolation du boîtier inférieur	1	42001-0074S	42001-0074S	42001-0074S	42001-0074S	42001-0074S
20	Coude de métal monobloc/Chambre de combustion						
	Couvercle	1	42001-0214S	42001-0214S	42001-0214S	42001-0214S	42001-0214S
21	Bouchon d'aération de métal		42002-0005S	42002-0005S	42002-0005S	42002-0005S	42002-0005S
	Couvercle	1	42001-0214S	42001-0214S	42001-0214S	42001-0214S	42001-0214S
22	Panneau supérieur du chauffe-eau	1	42002-0034Z	42002-0034Z	42002-0034Z	42002-0034Z	42002-0034Z
23	Panneau de côté (Panneau d'accès)	1	42002-0039	42002-0039	42002-0039	42002-0039	42002-0039
24	Panneau de côté (Collecteur)	1	42002-0033	42002-0033	42002-0033	42002-0033	42002-0033
25	Dessous du chauffe-eau	1	42002-0031	42002-0031	42002-0031	42002-0031	42002-0031
26	Panneau de côté (Cheminée)	1	42002-0032	42002-0032	42002-0032	42002-0032	42002-0032
27	Couvercle de boîte de raccordement	1	42002-0041	42002-0041	42002-0041	42002-0041	42002-0041
28	Ensemble de vis, Panneau	1	XXXXXX	XXXXXX	XXXXXX	XXXXXX	XXXXXX

\* Non disponible séparément.

† Non inclus avec le chauffe-eau. Commander séparément.

## PIÈCES DE REMPLACEMENT MASTERTEMP™



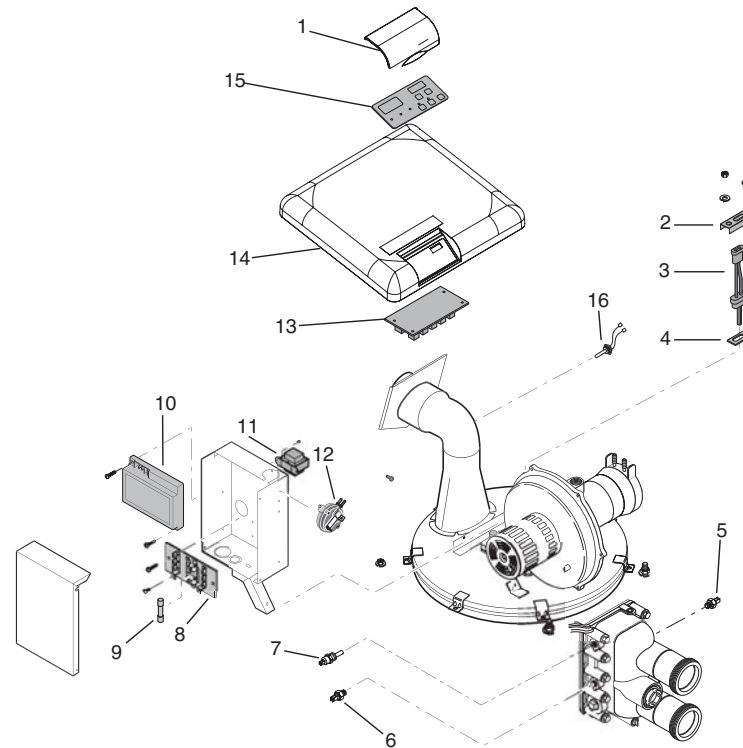
### PIÈCES DE REMPLACEMENT – COMPOSANTES DE PLOMBERIE

Numéro de pièce	Description	Qté.	Modèle			
			175NA - 200NA 175LP - 200LP	250NA 250LP	300NA 300LP	400NA 400LP
1	Module d'échangeur à plaque tubulaire (Séries NA et LP) (Inclus la pièce n° 3)	1	77707-0232	460747	77707-0233	77707-0234
1	Module d'échangeur à plaque tubulaire (Séries HD - NA) (Inclus la pièce n° 3)	1	-	473710	-	77707-0244
2	Ensemble collecteur (Incl. pièces n° 3-14, 21, et les pièces no 5-7), dans « Composantes Électriques », Page 53	1 ( )	77707-0014 77707-0117(6)	460748 460749(8)	77707-0015 77707-0118(10)	77707-0016 77707-0119(12)
3	Échangeur/Ensemble joint d'étanchéité torique de la plaque tubulaire	1				
4	Plaque inférieure du collecteur	1				
5	Joint d'étanchéité torique	1	77707-0120	77707-0120	77707-0120	77707-0120
•	Jeux de joint d'étanchéité torique (Incl. pièces n° 3 et 5)	1				
6	Insert du collecteur*	1				
7	Défecteur du collecteur	1				
8	Soupape de dérivation du collecteur	1	42001-0060S	42001-0060S	42001-0060S	42001-0060S
9	Manostat	1				
10	Collecteur	10				
11	Rondelle d'étanchéité de 5/16 po, S.S.	10				
12	5/16 x 18 x 2-3/4 po vis d'assemblage à tête hexagonale	2				
13	Joint étanchéité torique du connecteur	1				
14	Ensemble tube de connecteur (Incl. 1 tube de connecteur et 1 joint d'étanchéité torique)	2	77707-0017	77707-0017	77707-0017	77707-0017
15	Ensemble régulateur thermique (Incl. pièces n° 16, 17, 18, 19 et étrier de ressort)	1	77707-0010 38000-0007S	77707-0010 38000-0007S	77707-0010 38000-0007S	77707-0010 38000-0007S
16	Ensemble régulateur thermique (Incl. l'étrier à ressort)	1				
17	Ressort de régulateur thermique	1	35505-1313	35505-1313	35505-1313	35505-1313
18	Joint d'étanchéité torique du bouchon du régulateur thermique	1				
•	Étrier à ressort du régulateur thermique	1				
19	Bouchon du régulateur thermique	1	U178-920P	U178-920P	U178-920P	U178-920P
20	Bouchon de vidange	1	U78-60ZPS	U78-60ZPS	U78-60ZPS	U78-60ZPS
21	Bouchon de tuyau de 3/4 po	1				
22	Soupape de surpression (Recommandé - Acheter séparément)	1	38674-0719	38674-0719	38674-0719	38674-0719

\* Non disponible séparément.

• Non illustré.

## PIÈCES DE REMPLACEMENT MASTERTEMP™



## PIÈCES DE REMPLACEMENT – SYSTÈME ÉLECTRIQUE

Numéro de pièce	Description	Qté.	Modèle			
			175NA - 200NA 175LP - 200LP	250NA 250LP	300NA 300LP	400NA 400LP
1	Couvercle de l'écran d'affichage	1	42002-0035	42002-0035	42002-0035	42002-0035
2	Support d'allumeur	1	42001-0030S	42001-0030S	42001-0030S	42001-0030S
3	Allumeur/Ensemble d'étanchéité pour allumeur (incl. pièces n° 3 et 4)	1	77707-0054	77707-0054	77707-0054	77707-0054
4	Joint d'étanchéité pour allumeur	1	42001-0066S	42001-0066S	42001-0066S	42001-0066S
5	Commutateur d'arrêt automatique du gaz (AGS)	1	42002-0025S	42002-0025S	42002-0025S	42002-0025S
6	Commutateur hautes limites	1	42001-0063S	42001-0063S	42001-0063S	42001-0063S
7	Thermistor	1	42001-0053S	42001-0053S	42001-0053S	42001-0053S
8	Plaque à bornes	1	42001-0056S	42001-0056S	42001-0056S	42001-0056S
9	Fusible coupe-circuit pompier (1,25 A, 1-1/4 po)	1	32850-0099	32850-0099	32850-0099	32850-0099
10	Module de commande d'allumage	1	42001-0052S	42001-0052S	42001-0052S	42001-0052S
11	Transformateur, 120/240 V	1	42001-0107S	42001-0107S	42001-0107S	42001-0107S
12	Interrupteur de débit d'air	1	42001-0061S	42001-0061S	42001-0061S	42001-0061S
13	Module du tableau de commande (Série NA, LP)	1	42002-0007S	42002-0007S	42002-0007S	42002-0007S
	• Faisceau des câbles du chauffe-eau – 120/240 V	1	42001-0104S	42001-0104S	42001-0104S	42001-0104S
	• Jeu de fiche 120/240 V	1	42001-0105S	42001-0105S	42001-0105S	42001-0105S
14	Chauffe-eau, panneau supérieur	1	42002-0034Z	42002-0034Z	42002-0034Z	42002-0034Z
15	Panneau de commande à membrane (Série NA, LP)	1	472610Z	472610Z	472610Z	472610Z
16	Détecteur de fumée	1	42002-0024S	42002-0024S	42002-0024S	42002-0024S

• Non disponible séparément.

\* Pièces de l'ensemble non disponible séparément.

---

# Remarques


---

# Remarques


## CONSERVER CES CONSIGNES.

***Pentair Water Pool and Spa, Inc.***

1620 Hawkins Ave., Sanford, NC 27330 • (919) 566-8000

10951 W. Los Angeles Ave., Moorpark, CA 93021 • (805) 553-5000





# MasterTemp™

## Calentador para Piscina y Spa

### MANUAL DE INSTALACION Y OPERACION



**Pentair**  
Pool Products®

*Porque su piscina merece lo mejor!®*

#### 120/240 VAC CON GAS NATURAL Y LP

MODELOS	Gas Natural	Gas Propano
175K BTU/HR	460792	460793
200K BTU/HR	460730	460731
250K BTU/HR	460732	460733
250K BTU/HR (HD)	460806	—
300K BTU/HR	460734	460735
400K BTU/HR	460736	460737
400K BTU/HR (HD)	460805	—
400K BTU/HR (ASME)	460775	460776



Consumidor  
Conserve para  
Futura  
Referencia

### ⚠ ADVERTENCIA

#### POR SU SEGURIDAD, LEA ANTES DE PONER EN FUNCIONAMIENTO

- Si usted no sigue estas instrucciones con exactitud, podría ocasionar un fuego o una explosión, lo cual podría resultar en daños a la propiedad, daños personales o pérdida de vidas.
- Una instalación inadecuada, ajuste, alteración, servicio o mantenimiento puede causar daños a la propiedad, lesión personal o la muerte. La instalación y el servicio deben ser llevados a cabo por un instalador calificado, agencia de servicio o por su proveedor de gas.
- No almacene o use gasolina u otros vapores y líquidos inflamables cerca de este calentador u otros artefactos.

#### QUE HACER SI USTED HUELE GAS

- No trate de encender ningún artefacto.
- No toque ningún interruptor eléctrico; no use ningún teléfono en su edificio.
- Inmediatamente llame a su proveedor de gas usando el teléfono de algún vecino. Siga las instrucciones del proveedor de gas.
- Si no puede contactar a su proveedor de gas, llame al departamento de bomberos.

*Para obtener copias adicionales de este manual, llame al (800) 831-7133.*

#### Pentair Water Pool and Spa, Inc.

1620 Hawkins Ave., Sanford, NC 27330 • (800) 831-7133 o (919) 566-8000  
10951 W. Los Angeles Ave., Moorpark, CA 93021 • (800) 831-7133 o (805) 553-5000

## Servicio al Cliente

Si tiene preguntas acerca de cómo ordenar piezas de repuesto Pentair y productos de piscinas, por favor use la siguiente información de contacto.

### **Servicio al Cliente** (8 a.m. a 5 p.m. Hora del Pacífico)

Teléfono: (800) 831-7133

Fax: (800) 284-4151

### **Soporte Técnico**

Sanford, Carolina del Norte (8 a.m. a 5 p.m. Hora del Este)

Teléfono: (919) 566-8000

Fax: (919) 566-8920

Moorpark, California (8 a.m. a 5 p.m. Hora del Pacífico)

Teléfono: (805) 553-5000 (Ext. 5591)

Fax: (805) 553-5515

## Sitio Web

Visite [www.pentairpool.com](http://www.pentairpool.com) o [www.staritepool.com](http://www.staritepool.com) para encontrar información acerca de los productos Pentair

© 2007 Pentair Water Pool and Spa, Inc. Todos los derechos reservados.

1620 Hawkins Ave., Sanford, NC 27330 • (919) 566-8000

10951 West Los Angeles Ave., Moorpark, CA 93021 • (805) 553-5000

293 Wright Street, Delavan, WI 53115 • (262) 728-5551

**Este documento está sujeto a cambios sin previo aviso.**

**Marcas registradas y exenciones de responsabilidad:** El logo de los productos Pentair Pool y MasterTemp son marcas registradas de Pentair Water Pool and Spa Inc. Otras marcas registradas y nombres registrados pueden ser utilizados en este documento para hacer referencia a ya sea las entidades que poseen las marcas y nombres de sus productos. Pentair Water Pool and Spa Inc. renuncia a cualquier interés de propiedad en marcas registradas que sean distintas a las que posee.

# Tabla de Contenido

<b>Sección 1. Información sobre la Identificación del Calentador .....</b>	<b>4</b>
<b>Sección 2. Introducción .....</b>	<b>5</b>
Notas Importantes .....	5
Información Sobre la Garantía .....	5
Requisitos de Códigos .....	6
Información del Consumidor y de Seguridad .....	6 - 8
Especificaciones Generales .....	8
<b>Sección 3. Instalación .....</b>	<b>9</b>
Descripción del Calentador .....	9
Poniendo el Calentador en Servicio .....	9
Especificaciones .....	10
Conexiones de Tuberías .....	11
Válvulas .....	11
Bypass Manual .....	11
Conexiones de Agua .....	12
Instalación por Debajo de la Piscina .....	12
Conexiones de Gas .....	13
Trampas de Sedimento .....	13
Longitud de la Tubería de Gas .....	14
Probando la Presión de Gas .....	15
Instalación en Exteriores .....	16
Pautas para la Instalación de Ventilación Externa .....	17
Ventilación Bajo Techo - Requisitos Generales (Categoría I & Categoría III) .....	18
Espacios del Área del Calentador .....	18
Remoción de la Cubierta de Ventilación Externa .....	18
Suministro de Combustión de Aire .....	19
Vapores Corrosivos y Posibles Causas .....	19
Instalación de la Ventilación (Instalación Bajo Techo para los Estados Unidos o Instalación en Cobertizo al Aire Libre para Canadá) .....	20
Ventilación Vertical - Presión Negativa .....	20 - 22
Ventilación Horizontal o Vertical - Presión Positiva .....	23
Conexión de Ventilación de Gas Especial .....	23 - 25
Instalación de la Ventilación Externa .....	26
Instalación en Garaje o Cuarto de Servicios .....	26
Índice del Panel de Control .....	27
Revisión final de la Instalación .....	27
Conexiones Eléctricas .....	28
Conexión de Interruptor de Bomberos / Conexiones de Control Remoto .....	29
Diagrama de Cableado MasterTemp .....	30
Diagrama Esquemático Eléctrico de Escalera .....	31
<b>Sección 4. Operación .....</b>	<b>32</b>
Operación Básica del Sistema .....	32
Encendido / Operación HSI (Encendido de Superficie Caliente) .....	32
Operación .....	33
Cómo apagar el dispositivo del Gas .....	33
Controles de Seguridad .....	34 - 36
<b>Sección 5. Localización de Averías .....</b>	<b>37</b>
Localización de Averías iniciales y Tabla de Localización de Averías .....	37
Localización de Averías cuando el Calentador no Enciende .....	38 - 41
Diagnósticos de LED .....	42 - 43
Localización de Averías en el Quemador / Intercambiador de Calor .....	44
<b>Sección 6. Mantenimiento .....</b>	<b>45</b>
Cuidado y Mantenimiento .....	45
Válvula de relieve de Presión .....	45
Después del Encendido .....	46
Operación durante Primavera, Otoño e Invierno .....	46
Mantenimiento de la Temperatura de la Piscina .....	47
Consejos para Ahorro de Energía .....	47
Balance Químico .....	47 - 48
Piezas de Repuesto .....	49 - 53

# Información sobre la Identificación del Calentador

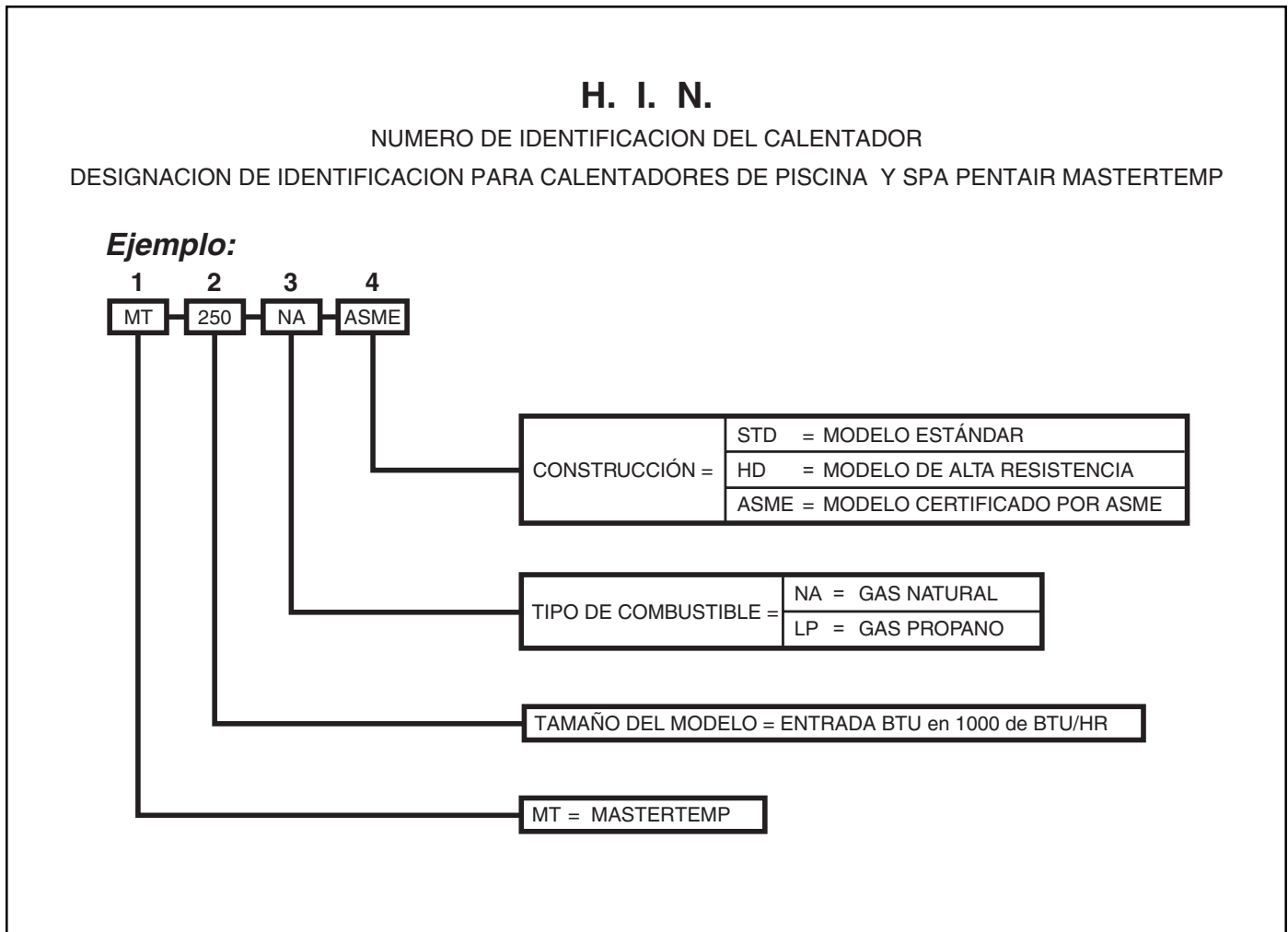
Para identificar el tipo de calentador, vea la placa de clasificación que se encuentra en el interior del panel frontal del equipo. Hay dos designaciones para cada calentador, una es el Número del Modelo y la otra es el Número de Identificación del Calentador (HIN, por sus siglas en Inglés).

**a. Número de Identificación del Calentador (HIN)**

El siguiente *ejemplo* simplifica la identificación del sistema:

- 1) **MT** : MasterTemp
- 2) **Tamaño del modelo** : (175, 200, 250, 300 ó 400) : Capacidad nominal de entrada (Btu/hr) X 1000
- 3) **Tipo de combustible** : (**LP** = Gas propano o **NA** = Gas natural)
- 4) **Construcción** : (**STD** = Modelo Estándar)  
 (**HD** = Modelo de Alta Resistencia)  
 (**ASME** = Modelo Certificado por ASME)

## INFORMACIÓN SOBRE LA IDENTIFICACIÓN DEL CALENTADOR — (HIN)



## Introducción

# MasterTemp™

## Calentador de Piscina y Spa

Felicitaciones por su compra del sistema de calentamiento de alto rendimiento MasterTemp. Una instalación y servicio apropiado de su nuevo sistema de calentamiento, y el mantenimiento químico correcto del agua le asegurarán muchos años de disfrute. El MasterTemp es un calentador compacto, liviano, eficiente que funciona con gas, y puede ser conectado directamente a una tubería PVC schedule 40. El MasterTemp también viene equipado con un controlador de multifunciones Pentair que muestra de un vistazo, el funcionamiento del calentador. Todos los calentadores MasterTemp están diseñados con un dispositivo de encendido directo, HSI (encendido de superficie caliente), el cual suprime la necesidad de un piloto. El MasterTemp requiere una fuente de energía externa de 120/240 VAC 60 Hz para operar.

**INSTRUCCIONES ESPECIALES PARA EL PROPIETARIO:** Conserve este manual para futuras referencias. Este manual de instrucciones brinda instrucciones de funcionamiento, e información sobre la instalación y el servicio para el calentador de alto rendimiento MasterTemp. La información contenida en este manual aplica a todos los modelos MasterTemp. **LEA Y REVISE ESTE MANUAL EN SU TOTALIDAD**, es muy importante que el propietario e instalador lean y entiendan la sección que cubre las instrucciones para la instalación y reconozcan los reglamentos locales y estatales antes de su instalación. Su uso reducirá la necesidad de servicio y el riesgo de lesiones, y extenderá la vida útil del producto. La historia y la experiencia han demostrado que la mayor parte de los daños ocasionados en los calentadores se deben a prácticas de instalación inadecuados.

## NOTAS IMPORTANTES

...Para el instalador y el operador del calentador MasterTemp. La garantía del fabricante puede anularse si, por cualquier razón, el calentador no es instalado y/o operado adecuadamente. Asegúrese de seguir las instrucciones que se indican más adelante en este manual. Si necesita mayor información, o si tiene preguntas con relación a este calentador, por favor comuníquese con Pentair Water Pool and Spa, Inc. al (800) 831-7133.

## INFORMACION SOBRE LA GARANTIA

El calentador MasterTemp es vendido con una garantía de fábrica limitada. **Encontrará detalles específicos en la Tarjeta de Registro de Garantía que se incluye con el producto.** Regrese la tarjeta de registro de garantía después de llenar el número de serie de la placa de clasificación localizada en el interior del calentador.

*Los altos estándares de excelencia de Pentair Water Pool and Spa incluyen una política de mejora de productos continua la cual da como resultado su innovador calentador. Nos reservamos el derecho de realizar mejoras las cuales podrían cambiar las especificaciones del calentador sin incurrir en ninguna obligación de actualizar su equipo actual.*

**Estos calentadores están diseñados para calentar piscinas y Spas con sistemas de cloro, bromo o sal, o en instalaciones no estacionarias y nunca deben ser empleados como calderas de calefacción de espacios o calentadores de agua para propósitos generales. La garantía del fabricante podría ser anulada si, por cualquier razón, el calentador es instalado y/o operado inadecuadamente. Asegúrese de seguir las instrucciones que se mencionan más adelante en este manual.**

## PRECAUCIÓN

**OPERAR ESTE CALENTADOR CONTINUAMENTE EN AGUA CON UNA TEMPERATURA POR DEBAJO DE LOS 20° C, CAUSARA CONDENSACION PERJUDICIAL Y DANARA EL CALENTADOR Y ANULARA LA GARANTIA. No use este calentador para proteger piscinas o Spas del congelamiento si la temperatura de mantenimiento final deseada está por debajo de los 20° C, ya que esto causará problemas relacionados a la condensación.**

## REQUISITOS DE CODIGOS

La instalación de este equipo debe realizarse de acuerdo con todos los reglamentos locales y/o con la edición más reciente del *Código Nacional de Gas Combustible, ANSI Z223.1/NFPA54* y del *Código Nacional de Electricidad, ANSI/NFPA70 (Estados Unidos)*, o con los estándares *CSA B149 - de CODIGOS DE INSTALACION DE ARTEFACTOS Y EQUIPOS DE GAS* y/o reglamentos locales y *Estándar CSA C22.1 - del Código de Electricidad Canadiense, Parte 1* (Canadá). El calentador al ser instalado, debe estar eléctricamente descargado a tierra y en cumplimiento con los reglamentos locales o en ausencia de estos, de acuerdo al *Código de Electricidad Canadiense* o al *Código Nacional de Electricidad, ANSI/NFPA70*, según sea pertinente.



## INFORMACION DEL CONSUMIDOR Y DE SEGURIDAD

### ⚠️ ADVERTENCIA

La Comisión de Seguridad de Productos para el Consumidor de los Estados Unidos advierte que la temperatura elevada del agua puede ser peligrosa. Revise las indicaciones que se dan a continuación acerca de la temperatura del agua, antes de establecer la temperatura.

1. Las temperaturas del agua en spas o jacuzzis no deben exceder nunca los 40° C. Una temperatura de 37.78° C es considerada segura para un adulto saludable. Se sugiere tomar precauciones especiales en el caso de niños pequeños. La inmersión prolongada en agua caliente puede provocar hipertermia.
2. Tomar bebidas alcohólicas antes y durante la inmersión en un spa o jacuzzi puede provocar somnolencia y esta puede llevar a un estado de inconsciencia y subsecuentemente resultar en ahogamiento.
3. ¡Mujeres embarazadas estén alertas! Remojarse en agua por encima de los 37.78° C puede causar daño fetal durante los primeros tres meses de gestación (resultando en el nacimiento de un bebé con daño cerebral o con deformaciones). Las mujeres en estado de gestación deben respetar la regla máxima de los 37.78° C.
4. Antes de ingresar al spa o al jacuzzi, el usuario debe verificar la temperatura del agua con un termómetro de precisión. Los termostatos de los spas o jacuzzis pueden errar en regular las temperaturas del agua tanto como -15.56° C.
5. Las personas con historial clínico de enfermedades del corazón, problemas circulatorios, diabetes o problemas de presión sanguínea; deben consultar a su médico antes de hacer uso del spa o jacuzzi.
6. Las personas que se encuentran tomando medicamentos que producen somnolencia, tales como tranquilizantes, antihistamínicos o anticoagulantes, no deben hacer uso del spa o jacuzzi..

### ⚠️ ADVERTENCIA


Si ocurriese sobrecalentamiento o si el sistema de gas no cerrara, proceda a cerrar manualmente la válvula de control del gas que va hacia el calentador. No use este calentador si alguna parte del mismo ha estado bajo el agua. Llame inmediatamente a un técnico calificado para que inspeccione el equipo y reemplace cualquier parte del sistema de control y de gas, que haya estado bajo el agua.

## INFORMACION DE SEGURIDAD


Los calentadores de piscinas MasterTemp™ están diseñados y fabricados para brindar muchos años de servicio seguro y confiable cuando han sido instalados, operados y mantenidos de acuerdo a la información en este manual. A través de este manual se identifican las advertencias de seguridad y precauciones con el símbolo "⚠". Asegúrese de leer y cumplir con todas las advertencias y precauciones.

### **ADVERTENCIA — PARA SU SEGURIDAD**


Este producto debe ser instalado y obtener servicio de un profesional técnico calificado en la instalación de calentadores para piscinas. Algunas jurisdicciones requieren inclusive que estos instaladores cuenten con licencia. Verifique con la autoridad pertinente en su localidad acerca de los requisitos de licencias para contratistas. Una instalación y/o operación inadecuada puede generar monóxido de carbono y gases combustibles, lo cual puede causar lesiones severas o hasta la muerte. Una instalación y/o operación inadecuada anulará la garantía del producto.


 **ADVERTENCIA** — **Este calentador está equipado con una válvula de control de gas no convencional que viene instalada de fábrica a una presión manométrica de -2 pulgadas wc.** La instalación, ajuste, alteración, servicio o mantenimiento inadecuado, pueden causar daños a la propiedad, lesiones personales o pérdida de la vida. La instalación o servicio debe ser ejecutado por un instalador calificado, una agencia de servicios o por el proveedor de gas. Si este control es reemplazado, debe ser reemplazo con un control idéntico.


**No intente ajustar el flujo de gas a través del regulador.**

 **ADVERTENCIA** — **Riesgo de fuego o explosión debido al uso incorrecto de combustible o por falla en la conversión de combustible.** No trate de operar un calentador de gas natural con gas propano o viceversa. Sólo técnicos de servicio calificados pueden intentar convertir el calentador de un tipo de combustible a otro. No intente alterar el tipo de entrada o de gas cambiando el orificio. Si es necesario la conversión a un tipo diferente de gas, consulte con su distribuidor Pentair. Funcionamiento defectuoso serio del quemador podría resultar en la pérdida de la vida. Cualquier añadidura, cambios o conversiones requeridas para que el artefacto cumpla satisfactoriamente con las necesidades de la aplicación deben ser realizados por un distribuidor Pentair o cualquier otra agencia calificada utilizando partes aprobadas y especificadas por el fabricante. El calentador está disponible solamente para uso con gas natural o con LP (propano). No está diseñado para operar con ningún otro tipo de combustible. Refiérase a la placa de identificación del calentador para verificar el tipo de gas con que funciona.

- Use el calentador únicamente con el tipo de combustible para el que ha sido diseñado.
- Si una conversión de combustible es necesaria, refiera este trabajo a un técnico de servicio calificado o al proveedor de gas antes de poner el calentador en funcionamiento.

 **ADVERTENCIA** — **Riesgo de fuego o explosión a causa de vapores inflamables.** No almacene gasolina, elementos líquidos de limpieza, barnices, pinturas o cualquier otro tipo de líquido inflamable cerca o en la misma sala del calentador.

 **ADVERTENCIA** — **Riesgo de explosión si la unidad es instalada cerca de un almacén de gas propano.** El gas propano (LP) es más pesado que el aire. Consulte sus reglamentos locales y con las autoridades de protección contra incendios para conocer los requisitos específicos para la instalación y sus restricciones. Coloque el calentador lejos del gas propano según lo especificado por el Estándar para Almacenamiento y Manejo de Gases Licuados de Petróleo CAN/CSA B149.2 (última edición) o ANSI/NFPA 58 (última edición).

 **ADVERTENCIA** — **Riesgo de fuego, envenenamiento con monóxido de carbono o asfixia si el sistema de ventilación de escape tiene fugas.** Sólo técnicos calificados deben intentar proveer servicio al calentador, de otra forma con un mal servicio, podría ocurrir fuga de los productos de escape o de gas inflamable.



## INFORMACION DE SEGURIDAD, (continuación)

**⚠ ADVERTENCIA** — **Riesgo de asfixia si el escape no es ventilado correctamente. Siga las instrucciones de ventilación al pie de la letra cuando instale el calentador.** No use una campana de extracción con este calentador debido a que los gases de escape se encuentran bajo presión del ventilador del quemador y una campana de extracción permitiría que las emanaciones de gases caigan en la sala donde está ubicado el calentador. El calentador está provisto con un sistema integral de ventilación para su instalación en el exterior. Hay disponible un kit de conversión de ventilación (Vea la [página 23](#) para los Números de Partes de los Kits de Conversión) para instalaciones en lugares cerrados (Canadá) o en interiores (Estados Unidos). Use únicamente el tipo de ventilación especificado, cuando el calentador esté instalado en un área cerrada o en interiores. En Canadá, este calentador de piscinas puede ser instalado únicamente en exteriores o en un área cerrada que no se encuentre normalmente ocupada y que no tenga conexión directa con áreas habitadas. Vea la [página 19](#) para conocer los requisitos de ventilación en áreas cerradas.

**⚠ PRECAUCIÓN** — **Etiquete todos los cables antes de desconectarlos cuando dé servicio a los controles. Errores de cableado pueden causar un funcionamiento inapropiado y peligroso.** Errores de cableado pueden también destruir el panel de control.

- Conecte el calentador a **120 ó 240** Voltios, 60 Hz., sólo corriente monofásica.
- Verifique el buen funcionamiento después de haber hecho la revisión.
- No permita que los niños jueguen en o alrededor del calentador o de sus partes.
- Nunca permita que los niños usen la piscina o spa sin supervisión de un adulto.
- Lea y siga toda la información de seguridad contenida en este manual antes de poner en funcionamiento este calentador de piscinas.

## ESPECIFICACIONES GENERALES

### NOTA:

- La combustión de aire contaminado por emisiones químicas corrosivas pueden dañar el calentador y anulará la garantía.
- La Válvula de Combinación de Control de Gas en este calentador es diferente a la mayoría de los controles de gas de otros artefactos. Si necesita reemplazarla, por razones de seguridad hágalo sólo con un control de gas idéntico.
- Los paneles de la puerta de acceso deben ser colocados en un lugar con ventilación adecuada. No opere el calentador por más de cinco (5) minutos sin los paneles de la puerta de acceso.
- Este calentador está diseñado bajo certificación de CSA International en cumplimiento con los estándares de Calentadores de Piscinas Operados a Gas, ANSI Z21.56/CSA 4.7, y su uso está previsto para calentar agua fresca en piscinas o spas.
- El calentador está diseñado para calentar piscinas o spas con sistemas de cloro, bromo o sal. **NO** debe ser utilizado como una caldera de calefacción de espacios o como un calentador de agua común y corriente. El calentador requiere una fuente externa de corriente monofásica con potencia de **120 o 240** voltios de corriente alterna.
- El calentador es un diseño certificado por CSA International para ser instalado sobre suelo inflamable. Se deben mantener espacios mínimos específicos en superficies inflamables (ver "Espacios del Área del Calentador", [página 18](#)).
- El calentador debe colocarse en un área en la que el escape del calentador o de sus conexiones no causen daños en el área adyacente o a la estructura. Cuando tales ubicaciones no puedan evitarse, se recomienda colocar un recipiente adecuado como un sumidero debajo del calentador. Este recipiente no debe bloquear el flujo de aire.
- El calentador no puede instalarse dentro de los cinco pies de la superficie interna de la piscina o spa a menos que esté separada por una barrera sólida tal como una pared u otra barrera permanente.

# Instrucciones para la Instalación

## DESCRIPCION DEL CALENTADOR

La Figura 1 es un diagrama del calentador mostrando cómo funciona. Las placas de orificio combinadas a precisión miden el aire y el gas dentro del mezclador. El ventilador dirige el aire y el gas a través del mezclador y lo lleva dentro del portallamas del quemador. Un intercambiador de calor sellado bordea el portallamas, descargando los gases de escape por el conducto de gases.

Dos tuberías de agua de PVC de dos pulgadas conectan directamente con el extremo del escape en el intercambiador de calor usando uniones de PVC de 2", las cuales vienen con el calentador. El colector de escape exterior se mantiene frío; no se requieren disipadores de calor. Un regulador térmico y un bypass interno regulan el flujo de agua a través del intercambiador de calor para mantener la temperatura correcta en la salida. El panel de control del operador del calentador se encuentra ubicado en la parte superior del calentador.

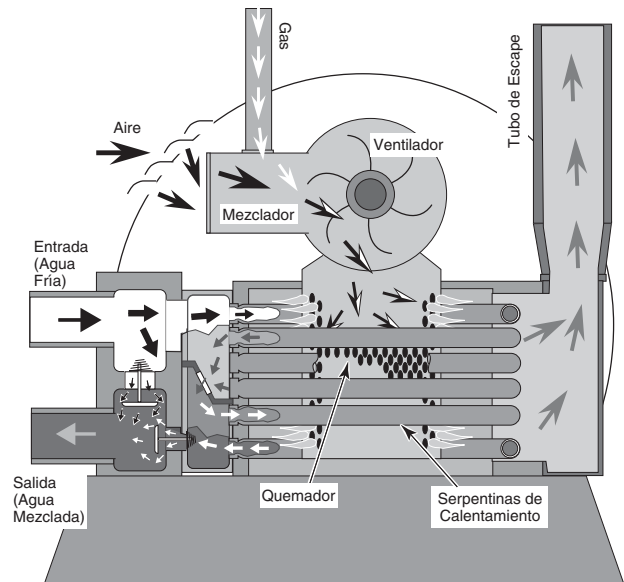


Figura 1.

## SECUENCIA DE OPERACION

Un sensor **termistor** electrónico de temperatura en la entrada del adaptador del colector, controla el funcionamiento del calentador.

Cuando la temperatura de la entrada del agua cae por debajo de la temperatura establecida en el **control de operación**, el **controlador del quemador** provee energía al **ventilador de aire** de combustión a través de una serie de **enlaces de seguridad**. Estos enlaces de seguridad consisten en:

- **interruptor de presión (PS)**, el cual detecta que la bomba está funcionando.
- **interruptor de límite más alto (HLS)**, que se abre si la temperatura de la salida del intercambiador de calor sube sobre los 135° F (57° C).
- **interruptor de flujo de aire (AFS)**, el cual detecta la caída en la presión a través del orificio de medición de aire.
- **interruptor de apagado automático de gas (AGS)**, el cual se abre si la temperatura de la salida del intercambiador de calor sube sobre los 140° F (60° C).
- **sensor de hacinamiento en el conducto del humo (SFS)**, el cual apaga el calentador si la temperatura del gas en el conducto del humo alcanza los 500° F (260° C).

El interruptor de flujo de aire (AFS) detecta la caída en la presión a través del orificio de medición del aire. En cuanto hay suficiente flujo de aire, el AFS se cierra, cerrando el circuito hacia el **encendido de superficie caliente (HSI)**, el cual inicia la mezcla de combustible. Cuando se requiere calor, el ventilador y el HSI reciben energía. En unos 20 segundos, la válvula de gas se abre y el equipo se enciende. Entonces el HSI cambia al modo de sensor y monitorea la llama.

El calentador está equipado con un control de operación digital que permite al usuario preestablecer las temperaturas deseadas en el agua de la piscina o spa. El control permite al usuario seleccionar entre calentar la piscina o el spa y tiene un visualizador digital que indica la temperatura del agua.

## PONIENDO EL CALENTADOR EN SERVICIO

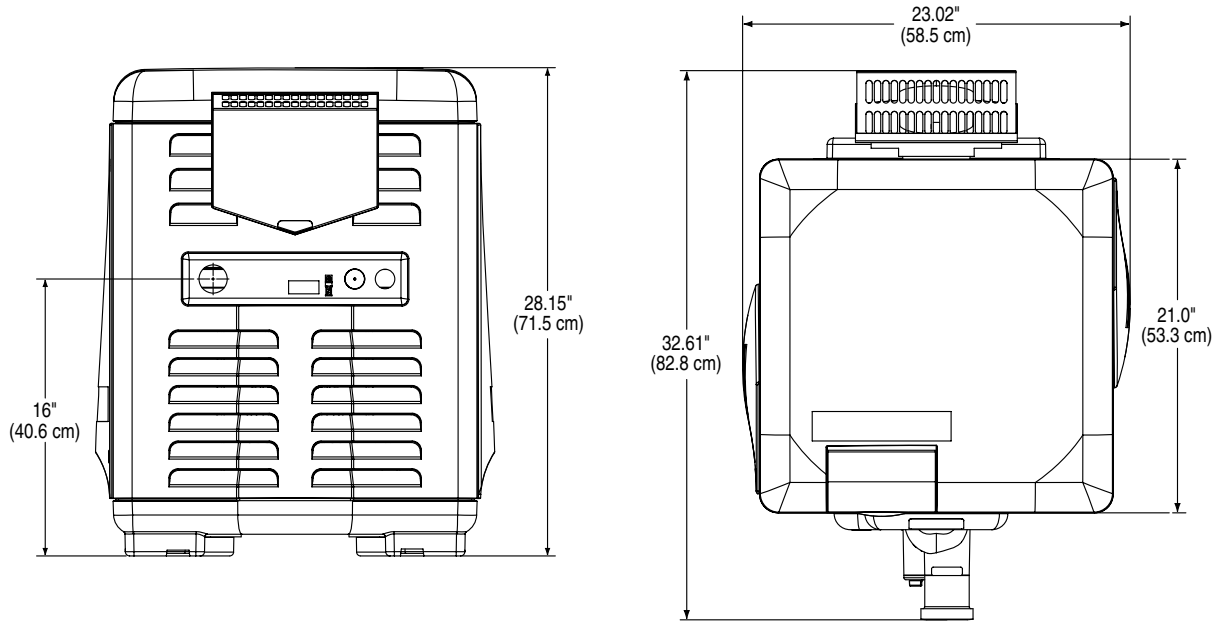
Si el calentador es instalado por debajo del nivel de la piscina, o a más de dos pies por encima del nivel de la piscina, se debe ajustar el parámetro del interruptor de presión. Ver **INTERRUPTOR DE PRESION DE AGUA**, en la sección de **CONTROLES DE SEGURIDAD**.

Antes de poner el calentador en servicio por primera vez, siga las instrucciones en "ANTES DE EMPEZAR" (página 32) de este manual. Verifique el funcionamiento adecuado del calentador siguiendo los pasos en "INSTRUCCIONES DE OPERACION".

Cualquier daño causado al equipo por instalación o reparación inapropiada, anulará la garantía.

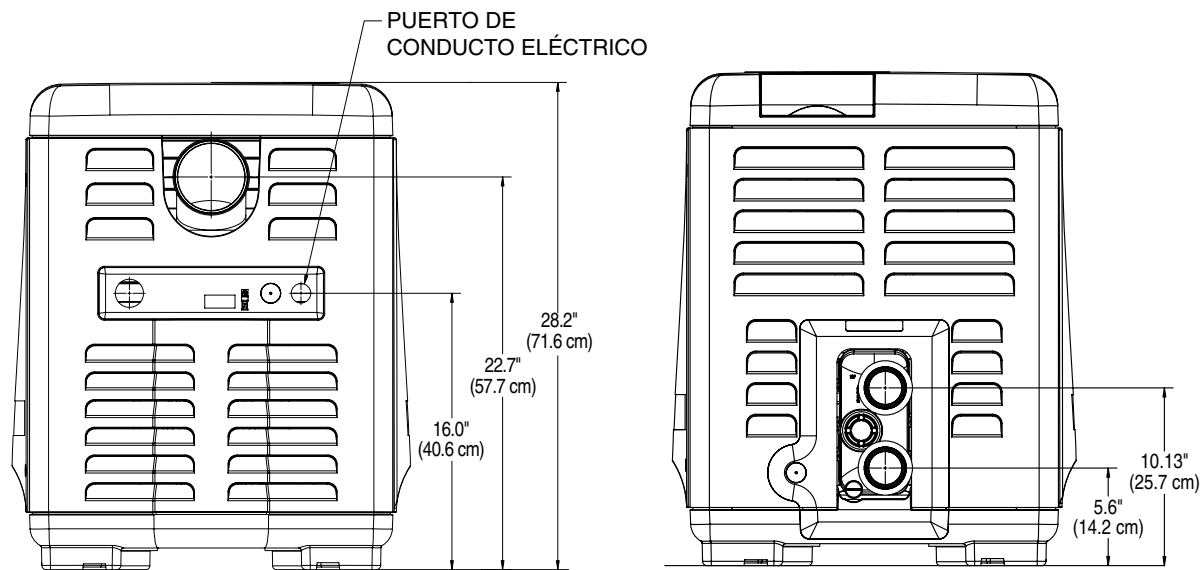
# ESPECIFICACIONES

Estas instrucciones para la instalación están diseñadas para ser usadas sólo por personal calificado, entrenados especialmente para la instalación de este tipo de equipo de calefacción y sus componentes relacionados. Algunos estados requieren que la instalación y la reparación sean hechas por personal con licencia. Si esto se aplica en su estado, asegúrese de que su contratista cuente con la licencia adecuada. Ver **Figura 2** para Instalaciones en Interiores y Exteriores.



**PARTE DELANTERA**

**PARTE SUPERIOR**



**PARTE LATERAL DEL TUBO DE ESCAPE**

**PARTE LATERAL DE LA TUBERÍA**

Figura 2.

## CONEXIONES DE TUBERIA

El calentador MasterTemp tiene la capacidad especial de contar con conexiones directas de tuberías PVC de schedule 40. Un juego de acopladores a prueba de agua es incluido con el MasterTemp para asegurar que se cumpla con los procedimientos de instalación de tuberías de PVC recomendado por Pentair. Pueden utilizarse otras conexiones para tuberías. Vea la **Figura 3** para conexiones de tuberías.

### ⚠ PRECAUCION

Antes de operar el calentador en una nueva instalación, encienda la bomba de circulación y saque todo el aire del filtro utilizando la válvula de liberación de aire ubicado en la parte superior del filtro. El agua deberá fluir libremente a través del calentador. No opere el calentador a menos que el agua de la piscina/spa se encuentre en el nivel adecuado. Si se instala un bypass manual, ciérrelo temporalmente para asegurar que se ha liberado todo el aire del calentador.

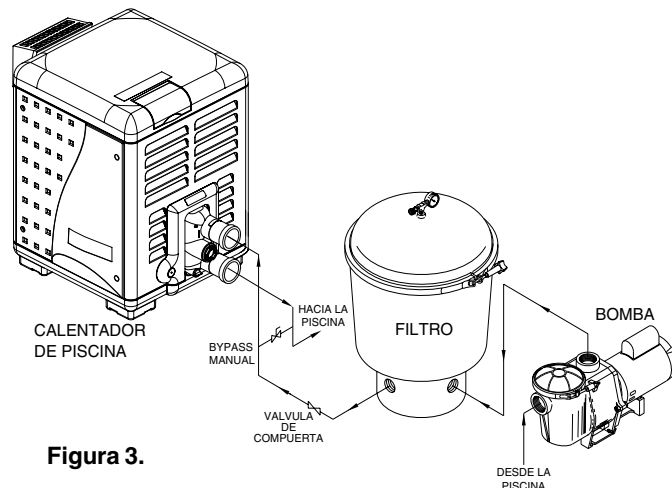


Figura 3.

## VALVULAS

Cuando se coloca algún equipo debajo de la superficie de la piscina o spa, las válvulas deben colocarse en el sistema de tuberías de circulación para aislar el equipo de la piscina o spa. Las válvulas de retención son recomendadas para prevenir un retroflujo del agua. El retroflujo del agua ocurre comúnmente cuando la bomba se detiene, creando un diferencial en la presión-succión. **NO** desinfecte la piscina colocando tabletas o barras de cloro dentro de el skimmer(s). Cuando la bomba se encuentra apagada, puede provocar que una alta concentración de cloro ingrese al calentador, lo cual puede ocasionar daño por corrosión al intercambiador de calor.

### ⚠ PRECAUCION

Tenga sumo cuidado cuando instale alimentadores químicos con el fin de prevenir el reflujo del agua de los químicos dentro del calentador, filtros o bomba. Cuando alimentadores químicos son instalados en la circulación del sistema de tuberías, asegúrese de que la línea de salida del alimentador esté hacia abajo del calentador, y esté equipada con una "Válvula de Retención" de sello positivo no corrosivo (P/N R172288) entre el alimentador y el calentador.

## BYPASS MANUAL

En donde la proporción del flujo del agua exceda el máximo de 120 GPM, se debe instalar y ajustar un bypass manual. Después de instalar la válvula, ajuste la válvula para llevar la proporción del flujo dentro de los límites aceptables. Luego retire la palanca de la válvula o asegúrela, para prevenir algún tipo de manipulación. Ver **Figura 4**.

Modelo	Min. GPM (LPM)	Máx. GPM (LPM) *
175	20 (76)	120 (454)
200	20 (76)	120 (454)
250	25 (95)	120 (454)
300	30 (114)	120 (454)
400	40 (152)	120 (454)

\* No exceder el índice de flujo máximo recomendado para la conexión de la tubería.

Tabla 1.

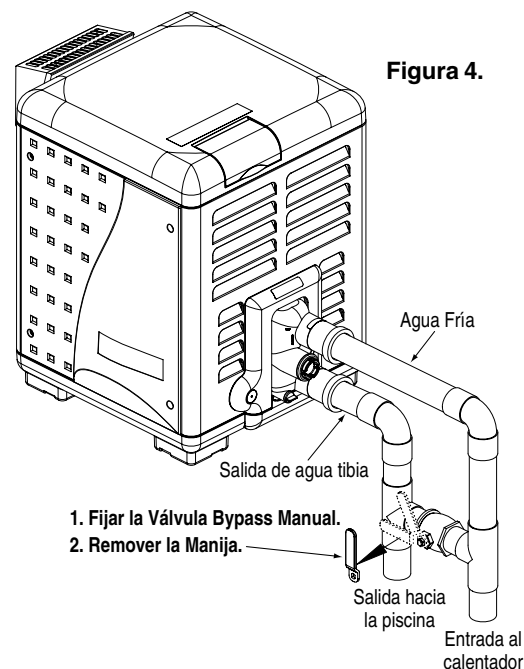


Figura 4.

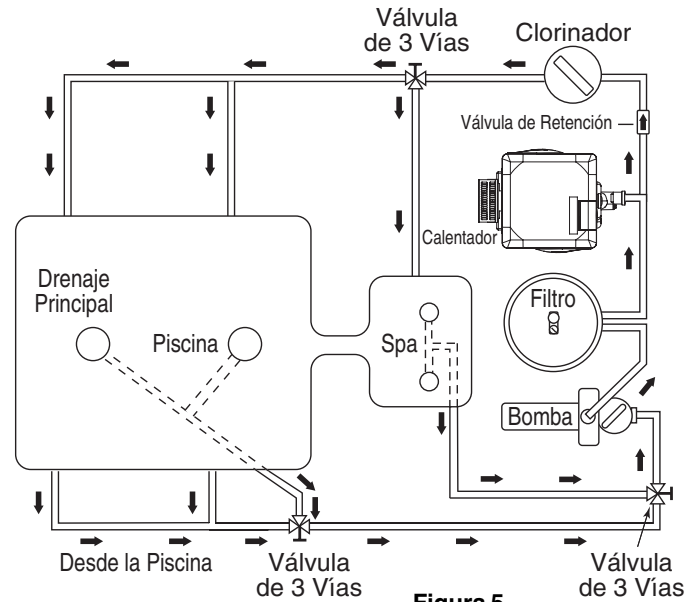
**Ver la Página 45 referente a las Instalaciones de las Válvulas de Liberación de Presión**

## CONEXIONES DE AGUA

El calentador requiere un flujo de agua y la presión apropiada para su operación. Vea la **Figura 5** para la instalación recomendada. La bomba del filtro se descarga en el filtro, el filtro se descarga en el calentador, y el calentador se descarga directamente en la piscina o spa.

Se debe instalar una válvula bypass manual a través del calentador cuando el flujo de la bomba excede 120 GPM (454 LPM). Vea "PROPORCIÓN DEL FLUJO DEL AGUA" en la **Página 11 - Tabla 1** para la colocación de la válvula bypass manual.

Asegúrese de que las tuberías de salida desde el calentador no contengan válvulas de cierre u otras restricciones de flujo que puedan detener los flujos hacia el calentador (excepto por debajo de la piscina tal como se observa más adelante, o válvulas para invierno cuando sea necesario). Para cambiar el flujo entre la piscina o el spa, utilice una válvula de desviación. No utilice ninguna válvula que pueda cortar el flujo. No use una válvula de cierre para aislar el calentador a menos que se encuentre por debajo del nivel de la piscina o spa.



**Figura 5.**

Instale el alimentador de químicos hacia abajo del calentador. Instale una válvula de retención de una vía resistente a químicos entre el calentador y el alimentador de químicos para prevenir el reflujo del agua a través del calentador cuando la bomba esté apagada.

**NOTA:** Si el calentador está conectado al revés, circulará continuamente. Asegúrese de que la tubería del filtro no se encuentra invertida cuando instale el calentador.

Conecte el calentador directamente a un tubo de PVC de 2", utilizando las uniones integrales que se han proporcionado. No se requieren disipadores de calor. La baja masa térmica del calentador prevendrá el sobrecalentamiento de la tubería conectada a la bomba aún si el calentador se detiene de improviso.

Ocasionalmente una bomba de dos velocidades no desarrollará suficiente presión para operar el calentador cuando se encuentra a baja velocidad. En este caso, accione la bomba a alta velocidad, sólo para operar el calentador. Si esto no resuelve el problema, no trate de accionar el calentador. En su lugar corrija la instalación.

No opere el calentador mientras el limpiador automático de la piscina también se encuentre funcionando. Si la succión de la bomba de circulación está tapada (por ejemplo con hojas) podría no haber suficiente flujo al calentador. En este caso no dependa del interruptor de presión.

## INSTALACION POR DEBAJO DE LA PISCINA

Si el calentador está por debajo del nivel del agua, deberá ajustarse el interruptor de presión. Este ajuste debe efectuarlo un técnico de servicio calificado.

Lea la siguiente **PRECAUCION** antes de la instalación.

### **PRECAUCION**

#### **INSTALACION POR ENCIMA O DEBAJO DE LA PISCINA**

La fábrica ha fijado el interruptor de presión del agua a 3.00 PSI ( $\pm 0.75$  PSI). Esta medida es para un calentador instalado a nivel de la piscina. Si el calentador será instalado a más o por debajo de un .305 metros, el interruptor de presión del agua deberá ser ajustado por un técnico de servicio calificado. Vea la **página 34, Figura 29**.

#### **INTERRUPTOR DE FLUJO**

Si el calentador está instalado a más de 1.52 metros sobre el nivel de la piscina o más de 1.22 metros por debajo del nivel de la piscina, se sobrepasará los límites del interruptor de presión y deberá instalarse un interruptor de flujo. Localice e instale de manera externa el interruptor de flujo en la tubería de salida del calentador, tan cerca como sea posible del calentador. Conecte los alambres del interruptor de flujo en el lugar en donde van los alambres del interruptor de presión del agua.

## CONEXIONES DE GAS

### INSTALACIONES DE LINEAS DE GAS

Antes de instalar la línea de gas, asegúrese de verificar que tipo de gas se le ha designado al calentador para su funcionamiento. Esto es importante debido a que los diferentes tipos de gas requieren distintos tamaños de tubos. La placa de clasificación en el calentador indicará que tipo de gas se le ha designado al calentador para su funcionamiento. Las tablas que figuran en la [página 14](#), muestran el tamaño del tubo que se necesita para la distancia que se encuentra entre el medidor de gas y el calentador. La tabla es para gas natural en una gravedad específica de .65 y gas propano a una gravedad específica de 1.55.

Cuando mida las líneas de gas, calcule .914 metros adicionales de tubo recto por cada codo utilizado. Cuando instale la tubería de gas procure evitar que el tubo se ensucie, se contamine con grasa o con algún otro material ya que esto podría causar algún daño a la válvula de gas, y ocasionar un mal funcionamiento del calentador.

*El medidor de gas debe ser revisado para asegurarse de que proporcionará suficiente gas al calentador y a otros artefactos que puedan utilizarse en el mismo medidor. La tubería de gas del medidor usualmente será de un tamaño más grande que la válvula de gas que viene con el calentador. Por lo tanto, será necesario reducir la tubería de gas a conectarse. Realice esta reducción tan cerca como sea posible del calentador.*

El calentador necesita un suministro de gas no menor de 4" (10.2cm) wc (columna de agua) y no mayor de 14" (35.6cm) wc. Presiones del suministro de gas fuera de este rango podría resultar en funcionamiento inapropiado del quemador. Se requiere un flujo o una presión de entrada dinámica (mientras el calentador esté encendido) mínima de 4" (10.2cm) wc para mantener una capacidad nominal de entrada con una baja de presión no mayor de 2" entre estático y dinámico. El suministro de gas deberá instalarse de conformidad con el *Código Nacional de Gas Combustible, ANSIZ223.1*, o el estándar *CSA B149.1, Códigos de Instalación de Gas Natural y Propano*, según aplique y todos los códigos locales aplicables. Instale una válvula de cierre manual, una trampa de sedimento y una unión ubicados fuera de los paneles del calentador, ver [Figura 6](#). No utilice una llave de restricción de gas. Los siguientes tamaños mínimos de tubos de gas son recomendados para tuberías de suministro de gas natural, ver [Tabla 2](#) en la [página 14](#). Para gas LP de baja presión, el tamaño del tubo deberá reducirse por .635 cm con un tamaño de tubo mínimo de 1.27 cm. Verifique para cumplimiento con los reglamentos locales.

El calentador y cualquier otro artefacto de gas deberán ser desconectados del sistema de tuberías del suministro de gas durante cualquier prueba de presión que se esté realizando en ese sistema (mayor de ½ PSI). El calentador y su conexión de gas deberán ser probados contra cualquier fuga antes de poner en funcionamiento el calentador. **No utilice flama para probar la tubería de gas.** Utilice agua enjabonada o algún otro método no inflamable.

#### NOTA

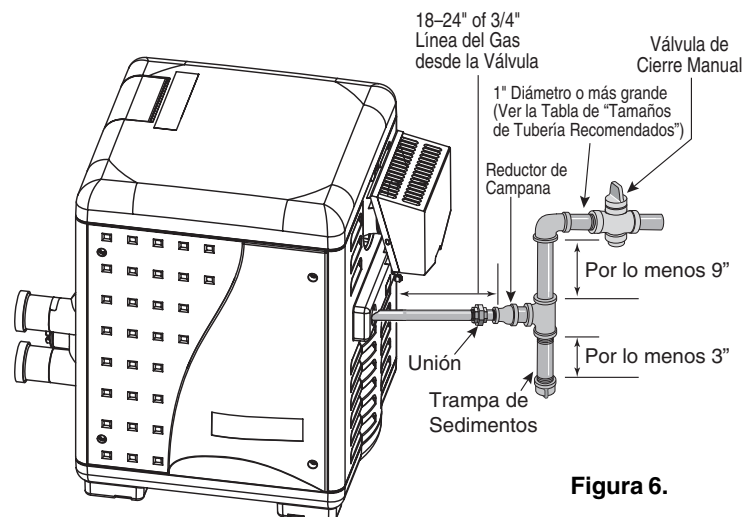
Una válvula manual de cierre deberá ser instalada al calentador externamente.

### ⚠ ADVERTENCIA

**NO INSTALE LA UNION DE LINEA DE GAS DENTRO DEL MUEBLE DEL CALENTADOR. ESTO ANULARA SU GARANTIA.**

### TRAMPAS DE SEDIMENTO

Instale trampas de sedimento y una unión afuera de los paneles del calentador conforme a los requisitos del Código Nacional. No utilice una llave de restricción de gas. La trampa de sedimento deberá ser una unión en "T" con un niple tapado en la salida inferior que pueda ser retirado para limpieza, tal como se ilustra en la [Figura 6](#), o algún otro dispositivo reconocido como una trampa de sedimento efectiva. Todas las tuberías de gas deberán ser probadas luego de su instalación conforme a los reglamentos locales.



**Figura 6.**



## LONGITUD DE LA TUBERIA DE GAS

Tabla 2.

TAMANO DE TUBERIA PARA CONEXIONES DE LINEAS DE GAS														
LONGITUD MAXIMA EQUIVALENTE DE TUBERIA (Pies)														
Gas Natural de 1000 B.T.U. por Pies Cúbicos														
Gas Propano de 2500 B.T.U. por Pies Cúbicos														
MODELO	1/2"		3/4"		1"		1-1/4"		1-1/2"		2"		2-1/2"	
	NAT	PRO	NAT	PRO	NAT	PRO	NAT	PRO	NAT	PRO	NAT	PRO	NAT	PRO
175	-	20'	30'	80'	125'	250'	450'	600'	-	-	-	-	-	-
200	-	20'	30'	80'	125'	250'	450'	600'	-	-	-	-	-	-
250	-	10'	20'	50'	70'	150'	250'	500'	600'	-	-	-	-	-
300	-	-	10'	30'	50'	100'	200'	350'	400'	600'	-	-	-	-
400	-	-	-	10'	20'	60'	100'	150'	200'	450'	400'	-	-	-

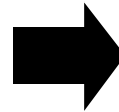
### REGULACION EN 2 FASES DEL GAS **PROPANO** "RESIDENCIAL"

En varias instalaciones de líneas de gas propano, el proveedor y/o instalador de gas utilizará un proceso de regulación de dos fases en donde en el tanque del suministro instalarán el regulador de gas de la primera fase, el cual estará a una presión más alta, usualmente 10 psi. Esta presión más alta permite una distancia más larga y un tamaño de tubo mucho más pequeño. Luego dentro de una distancia pequeña del calentador de la piscina, usualmente alrededor de 60.96 centímetros, instalarán un segundo regulador, el cual es la segunda fase, y deberá fijarse a la presión de ingreso requerida del calentador.

Ver "Tablas de Requisitos de Presión de Gas"

Tamaño de la Tubería de Gas de "Alta Presión" de la Primera Fase			
10 PSI @ 2500 B.T.U. Por Pies Cúbicos			
LONGITUD MAXIMA EQUIVALENTE DE TUBERIA			
Modelo	0 a 50 Pies	50 a 100 Pies	100 a 150 Pies
175 hasta 400	1/2 pulg.	1/2 pulg.	1/2 pulg.

Tabla 3.



Tamaño de la Tubería de Gas de "Baja Presión" de la Segunda Fase		
Fase 2 fijada en 14 pulgadas W.C.		
LONGITUD MAXIMA EQUIVALENTE DE TUBERIA		
Modelo	0 a 10 Pies	10 a 20 Pies
175 hasta 400	3/4 pulg.	3/4 pulg.

Tabla 4.

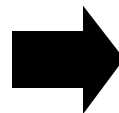
### REGULACION EN 2 FASES DEL GAS **NATURAL** "RESIDENCIAL"

En varias instalaciones de líneas de gas natural, el proveedor y/o instalador de gas utilizará un proceso de regulación de dos fases en donde en el suministro de gas principal de calles instalarán el regulador de gas de la primera fase, el cual estará a una presión más alta. Esta presión más alta por lo general se encuentra en 2 psi o 5 psi y pueden ser para distancias largas y en un tubo mucho más pequeño. Luego dentro de una distancia pequeña del calentador de la piscina, usualmente alrededor de 60.96 centímetros, instalarán un segundo regulador, el cual es la segunda fase. Este regulador de la segunda fase estará fijado a una presión a la presión mínima de operación para el calentador. Para Calentadores para piscinas con gas natural "Pentair" lo mínimo es 7 pulgadas W.C.

Ver "Tablas de Requisitos de Presión de Gas"

Tamaño de la Tubería de Gas de "Alta Presión" de la Primera Fase			
2 PSI @ 1000 B.T.U. Por Pies Cúbicos			
LONGITUD MAXIMA EQUIVALENTE DE TUBERIA			
Modelo	0 a 50 Pies	50 a 100 Pies	100 a 150 Pies
175 hasta 300	1/2 pulg.	1/2 pulg.	1/2 pulg.
400	3/4 pulg.	3/4 pulg.	3/4 pulg.
5 PSI @ 1000 B.T.U. Por Pies Cúbicos			
175 hasta 400	1/2 pulg.	1/2 pulg.	1/2 pulg.

Tabla 5.



Tamaño de la Tubería de Gas de "Baja Presión" de la Segunda Fase		
Fase 2 fijada en 7 pulgadas W.C.		
LONGITUD MAXIMA EQUIVALENTE DE TUBERIA		
Modelo	0 a 10 Pies	10 a 20 Pies
175 hasta 300	3/4 pulg.	3/4 pulg.
400	3/4 pulg.	1 pulg.
Fase 2 fijada en 7 pulgadas W.C.		
175 hasta 400	3/4 pulg.	1 pulg.

Tabla 6.



## PROBANDO LA PRESION DE GAS

Antes de operar el calentador, se deben probar el calentador y las conexiones de gas. **NO utilice llama expuesta para probar las fugas.** Pruebe las conexiones para fugas con agua enjabonada.

Deberá desconectar el calentador y su válvula de cierre individual del sistema de tubería del suministro de gas cuando se realice cualquier prueba de presión del sistema en pruebas de presiones que excedan ½ Psig (3.5 kPa).

El calentador deberá estar aislado del sistema de suministro de gas cerrando su válvula de cierre manual individual durante cualquier prueba de presión del suministro de gas a presiones de prueba igual o menor a ½ Psig (3.5 kPa).

### VERIFICANDO LA PRESION DE GAS A TRAVES DE LA VALVULA DE CONTROL DE COMBINACION DEL GAS

## ⚠️ ADVERTENCIA

**Riesgo de incendio y explosión.** Cualquier instalación inadecuada, ajuste incorrecto, alteración, servicio, o mantenimiento de la válvula de control de combinación del gas puede provocar un incendio o una explosión, que puede provocar pérdidas de vidas, lesiones personales, y/o daños a la propiedad. Si es necesario ajustar la válvula de gas, debe ser hecho sólo por una agencia de servicio calificada. **¡Estas instrucciones solamente son para el uso de técnicos de servicio calificados!**

Este aparato está equipado con una válvula de control de gas no convencional ajustado de fábrica con una presión manométrica de  $-0.2$ " ( $-0.5$  cm) wc. La instalación o servicio debe hacerlo un instalador calificado, agencia de servicio, o el suministrador de gas. Si se reemplaza la válvula de control, deberá reemplazarse con un control idéntico.

La válvula de combinación de gas incorpora válvulas de cierre duales y un regulador de presión negativo. Para una operación adecuada, la presión regulada en la salida del colector de la válvula deberá ser  $-0.2$ " ( $-0.5$  cm) wc por debajo de la presión de referencia en la conexión de entrada del mezclador de ventilador y la llave de la válvula de gas "VENT" deberá estar conectada al orificio de aire del casco final tal como se muestra en la **Figura 7**.

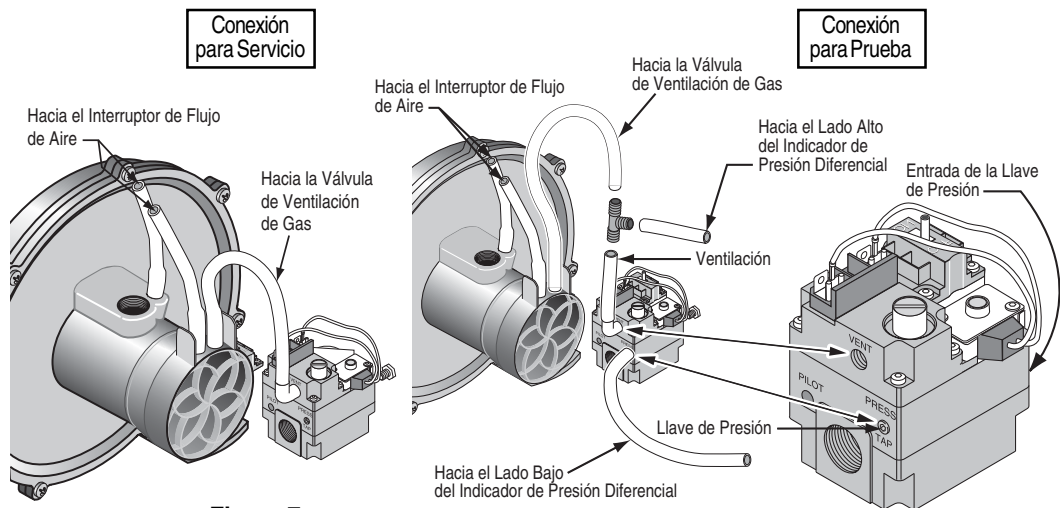


Figura 7.

**No intente ajustar la entrada de gas manipulando la medida fijada del regulador. La medida fijada del regulador de gas es necesaria para mantener una combustión apropiada y NO debe ser alterada.**

## ⚠️ PRECAUCION

No se recomienda el uso de Conectores Flexibles (FLEX) a menos que estén medidos adecuadamente de conformidad con las recomendaciones del proveedor en lo que respecta a la clasificación del calentador.

### REQUISITOS DE LA PRESION DEL GAS

Presión del Gas	Modelo	Natural	Propano
		Pulgadas W.C.	
Entrada Máxima	MT	14	14
Entrada Mínima	MT	4	4
Colector	MT	$-0.2 \pm 0.1$	$-0.2 \pm 0.1$

**NOTA:** Todas las lecturas deben ser realizadas mientras el calentador esté funcionando. Cualquier ajuste o lectura realizada mientras el calentador esté apagado provocará problemas de rendimiento.

Tabla 7.

## INSTALACION EN EXTERIORES (Estados Unidos y Canadá)

Para calentadores ubicados a la intemperie, utilizando el sistema empotrado de ventilador sin chimenea.

### ⚠️ ADVERTENCIA

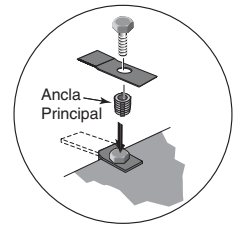
**Riesgo de explosión si una unidad quemando gas propano es instalada en una cavidad o zona baja.** El gas propano es más denso que el aire. No instale el calentador con propano en cavidades u otras zonas en donde el gas se pueda acumular. Consulte con sus funcionarios de reglamentos de construcción locales para determinar los requisitos de instalación y las restricciones específicas de instalación del calentador con relación a los tanques de almacenamiento de propano y al equipo de suministro. La instalación debe seguir los Estándares de Manejo y Almacenamiento de Gases de Petróleo Líquido, ANSI/NFPA 58 (última edición) en los Estados Unidos, o CAN/CSA 8149.2 (última edición) en Canadá. Consulte los reglamentos locales y con las autoridades encargadas de evitar incendios sobre las restricciones específicas de este tipo de instalación.

Ubique el calentador en una superficie plana en un área abierta protegida de drenaje o derrames. Instale el calentador lejos de las hojas u otros escombros que puedan obstruir al calentador.

Para evitar que se dañen los componentes electrónicos, evite exponerlos durante mucho tiempo a fuentes de agua (tales como aspersor de césped, fuertes flujos de agua provenientes del techo, mangueras etc.) Evite activarlo en ambientes de humedad extrema o ambientes salados.

En climas adversos cierre el calentador y desconecte la energía hasta que pase la adversidad. En áreas de huracanes o de vientos fuertes adquiera el Kit de Abrazadera con Tornillos, P/N 460738.

Compre por separado un kit de abrazaderas ajustables para el montaje de grampas y tornillos para el Calentador, Núm. de Parte 460738.



### ESPACIOS DEL AREA DEL CALENTADOR – EXTERIOR

#### ¡IMPORTANTE!

- En una instalación a la intemperie es importante asegurarse que el agua es desviada de los aleros corridos con un sistema apropiado de drenaje. El calentador debe instalarse en una base de nivel adecuado para el drenaje.
- Esta unidad no debe ser operada a la intemperie a temperaturas por debajo de  $-28.89^{\circ}\text{C}$ .

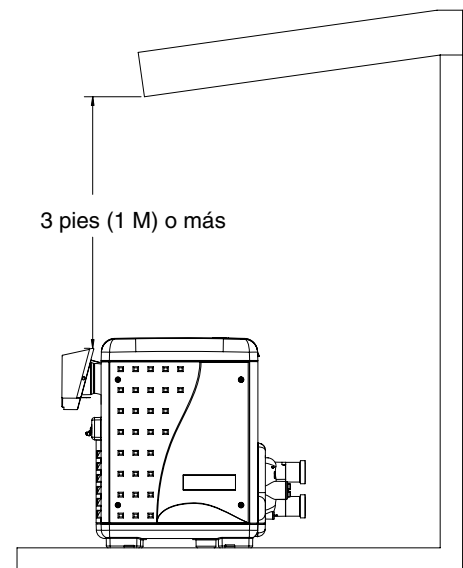
Si se ubica el calentador bajo un techo o una cubierta sobresaliente, debe haber una distancia mínima de 1 metro entre la parte inferior de lo que sobresale y la parte superior del escape de la ventilación del calentador, ver **Figura 8**. Si el calentador se encuentra bajo un techo o una cubierta sobresaliente, el espacio al rededor del calentador debe estar despejado en tres lados.

Para un mínimo de espacio libre de la ventilación en edificios con espacios libres, ver **Figura 9**, página 17.

En Canadá, el calentador debe instalarse con el tope de la ventilación a por lo menos 3 metros por debajo, o a cualquiera de los lados, del espacio abierto hacia el edificio.

Ubique el calentador de manera que facilite los accesos de conexión de agua, gas, o conexiones eléctricas.

Instale el calentador a por lo menos 18 pulgadas (45 cm.) de cualquier línea de la propiedad.

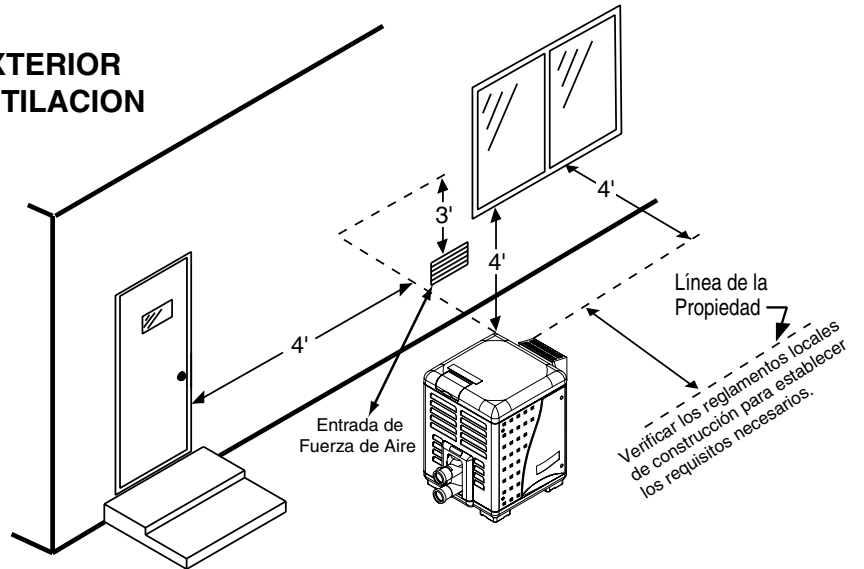
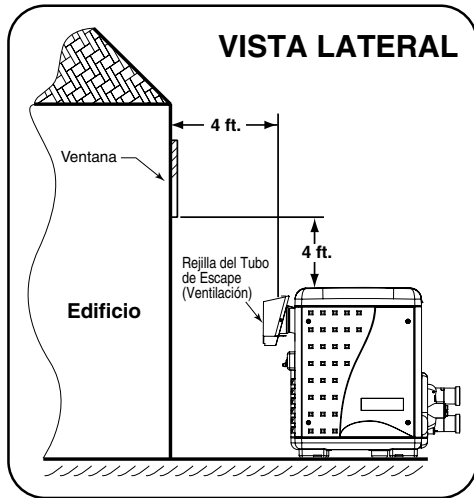


**Figura 8.**

### ⚠️ PRECAUCION

**Si está instalando el calentador al lado o cerca de una unidad de aire acondicionado o bomba térmica, deje un espacio mínimo de 91.44 centímetros entre la unidad de aire acondicionado y el calentador.**

**INSTALACIÓN EN EL EXTERIOR  
INSTRUCCIONES DE VENTILACION**



**Terminación de la Ventilación:**

- Debe estar por lo menos a 3 pies sobre cualquier entrada de aire forzada ubicada dentro de un radio de 10 pies.
- Debe estar localizada a 4 pies alejada de las aberturas de la pared del edificio, y en las siguientes distancias alejada de cualquier puerta, ventana o entrada de gravedad de aire:
  - 4 pies por debajo,
  - 4 pies horizontalmente

**Figura 9.**

## VENTILACION BAJO TECHO – Requisitos Generales

**El calentador puede instalarse como aparato de Categoría I o Categoría III.**

### Aparato ventilado (Categoría I) – Vertical sólo

Un aparato que funciona con una presión estática de ventilación que *no es positiva* y con una temperatura de gas ventilado que evita la producción excesiva de condensación en la ventilación. Ver páginas 20-22.

### Aparato ventilado (Categoría III) – Vertical u Horizontal

Un aparato que funciona con una presión estática de ventilación que es *positiva* y con una temperatura de gas ventilado que evita la producción excesiva de condensación en la ventilación. Ver páginas 23-25.

Si usted quiere conectar este calentador a un sistema de ventilación ya existente, asegúrese que el sistema de ventilación cumpla con los requisitos necesarios provistos en este manual en las páginas 18-27. Si no, reemplace el sistema de ventilación. **NO** utilice una campana de extracción con este calentador.

La tubería de la ventilación debe tener la misma medida o longitud. Los calentadores MasterTemp son capaces de tener una rotación de descarga de 270 grados y operar con una presión estática de ventilación positiva y con una temperatura de gas ventilado menor a 204.45° C. La longitud total del recorrido horizontal no debe exceder la longitud señalada en la Tabla 11 en la página 23.

## ESPACIOS DEL AREA DEL CALENTADOR - Requisitos Generales

### **INSTALACION BAJO TECHO (EE.UU.) O COBERTIZO AL AIRE LIBRE (CANADA)**

Las siguientes distancias de espacio libre deben ser mantenidas de áreas inflamables:

PARTE SUPERIOR .....	6 pulg. (15 cm)
LADO DE ESCAPE .....	6 pulg. (15 cm)
LADO DEL TUBO COLECTOR .....	6 pulg. (15 cm)
PANELES DE LA PUERTA† .....	6 pulg. (15 cm)

**Nota** (†) Para servicio técnico se recomienda dejar un espacio de acceso en al menos uno de los paneles de las puertas. El calentador esta diseñado y certificado por CSA International para instalaciones en suelo inflamable. Para instalaciones en alfombrado el calentador debe montarse en un panel de madera o metal que esté al menos 3 pulgadas (10cm) de distancia de la base del calentador. Si se instala el calentador en un closet o alcoba, todo el suelo debe estar cubierto con este panel. En una instalación en un cobertizo al aire libre el escape se descargará a una tubería de ventilación. Ubique el calentador de una manera en que no interfiera con el ajuste de los controles de funcionamiento. El panel de control ubicado en el panel superior puede girarse hacia los tres lados del calentador para fácil acceso. Sin embargo, el panel de control no debe ser ubicado en el lado en donde se encuentra la ventilación.

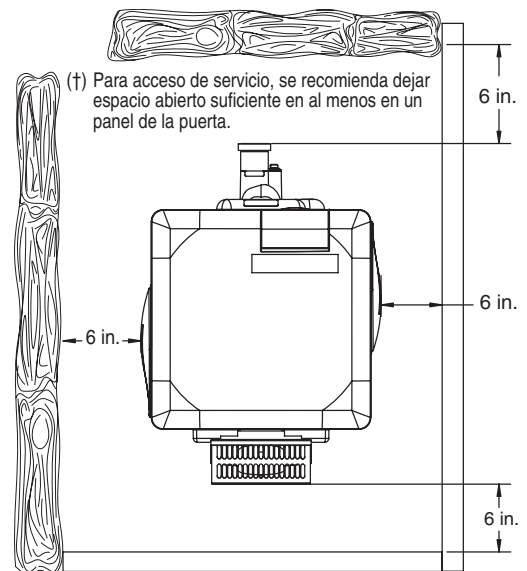


Figura 10.

### **REMOCION DE LA CUBIERTA DE VENTILACION EXTERNA**

El calentador viene equipado de fábrica con un conducto de ventilación externo sin chimenea empotrado para instalaciones al aire libre. Remueva la cubierta de la ventilación externa para instalaciones en cobertizos al aire libre.

## SUMINISTRO DE COMBUSTION DE AIRE

Para instalaciones internas, la ubicación del calentador debe proporcionar suministro de aire suficiente para una combustión y una ventilación adecuada del área que lo rodea.

Los requisitos mínimos para el suministro de aire especifican que el cuarto en donde se ha instalado el calentador debe tener dos aberturas de suministro de aire permanentes; una dentro de las 12 pulgadas (30cm) de distancia del techo, y la otra de hasta 12 pulgadas (30cm) del piso para la combustión del aire, conforme a la última edición del ANSI Z223.1, o del reglamento del National Fuel Gas, el CSA B 149.1, Natural Gas and Propane Installation Codes (Códigos de Instalación para Gas Natural y Gas Propano) según aplique, y cualquier reglamento local que pueda aplicar. Estas aberturas deberán conectarse directamente o a través de un conducto al aire exterior.

*Pentair Water Pool and Spa, Inc. no recomiendan instalaciones internas que no provean combustión de aire desde el exterior del edificio.*

### Guía de Requisitos de Suministro de Aire para Calentadores MasterTemp

Área Libre Abierta Mínima para Cada Abertura* (Pulgadas Cuadradas/Centímetros)				
Modelo	Todo el Aire desde el Interior del Edificio		Todo el Aire desde el Exterior del Edificio	
	Combustión	Ventilación	Combustión	Ventilación
175	200 sq. in. 1290 sq. cm.	200 sq. in. 1290 sq. cm.	50 sq. in. 323 sq. cm.	50 sq. in. 323 sq. cm.
200	200 sq. in. 1290 sq. cm.	200 sq. in. 1290 sq. cm.	50 sq. in. 323 sq. cm.	50 sq. in. 323 sq. cm.
250	250 sq. in. 1613 sq. cm.	250 sq. in. 1613 sq. cm.	63 sq. in. 406 sq. cm.	63 sq. in. 406 sq. cm.
300	300 sq. in. 1935 sq. cm.	300 sq. in. 1935 sq. cm.	75 sq. in. 484 sq. cm.	75 sq. in. 484 sq. cm.
400	400 sq. in. 2580 sq. cm.	400 sq. in. 2580 sq. cm.	100 sq. in. 645 sq. cm.	100 sq. in. 645 sq. cm.

\* El área indicada es para una de dos aberturas; una a nivel de suelo y la otra en el techo.

Tabla 8.

## PRECAUCION

No se deben almacenar químicos cerca de donde ha sido instalado el calentador. La combustión del aire podría contaminarse de gases químicos corrosivos lo cual podría anular la garantía.

## VAPORES CORROSIVOS Y POSIBLES CAUSAS

Área	Posibles Contaminantes
Piscinas y Spas tratados con cloro	Químicos para limpieza de piscina o spa. Ácidos, tales como ácido hidrocórico o muriático.
Nuevas áreas de construcción y remodelación	Pegamentos y cementos, adhesivos de construcción pinturas, barnices y líquido quita pinturas y quita barnices. Ceras y limpiadores que contengan calcio o cloruro de sodio.
Salones de Belleza	Soluciones para hacer permanentes, blanqueadores, latas de aerosol que contengan cloro carbonos o fluoro carbonos.
Plantas de refrigeración o varias plantas de terminados y procesamiento industriales	Refrigerantes, ácidos, pegamentos y cementos, adhesivos para construcción.
Áreas de Limpieza en Seco y Lavandería	Blanqueadores, detergentes o jabones de lavandería que contengan cloro. Ceras y limpiadores que contengan cloro, calcio o cloruro de sodio.

Tabla 9.

## INSTALACION DE LA VENTILACION – INSTALACION BAJO TECHO (EE.UU.) O INSTALACION EN COBERTIZO AL AIRE LIBRE (CANADA)

### (Categoría I)

Siempre ventile el calentador al exterior, ver Nota\*.

- Ventílelo verticalmente utilizando tubería de conexión de ventilación de pared doble Tipo B.

Ubique el calentador de manera que minimice la longitud de la ventilación horizontal y la cantidad de codos que esta requiera. El tendido del conducto de ventilación horizontal debe tener una inclinación hacia arriba a razón de 1/4" por pie (2cm/M) desde el calentador para permitir que la condensación del escape sea drenada y se recomienda tener un drenaje para la condensación según se describe en las instrucciones de instalación de la ventilación.

### VENTILACION VERTICAL – PRESION NEGATIVA

(Ver Figuras 11, 12 y 13)

Ventile el calentador en un sistema de presión negativa de acuerdo al reglamento del National Fuel Gas Code, ANSI Z223.1/NFPA 54 y/o CSA B 149.1, Natural Gas and Propane Installation Codes, y reglamentos locales. Se recomienda un conector de ventilación de doble pared tipo "B", sin embargo, la National Fuel Gas Code permite que sea una tubería de pared individual en ciertas circunstancias. Para mayor información al respecto consulte con los funcionarios de reglamentos locales. **No utilice** una campana de extracción con este calentador.

Para conectar un ventilador de gas metálico con presión negativa al calentador, ordene el Collarín de Conducto Metálico siguiendo el cuadro a continuación:

Collarín de Conducto Metálico	Núm. de Parte
4 x 6"	77707-0076
4 x 8"	77707-0077

**NOTA\*:** La ventilación debe estar alejada, al menos 2.44 metros de distancia de la superficie vertical más cercana. La ventilación que sobrepase el techo 1.52 metros o más deberá ser apuntalada a la pared. Para mayor información al respecto consulte sus funcionarios de reglamentos locales.

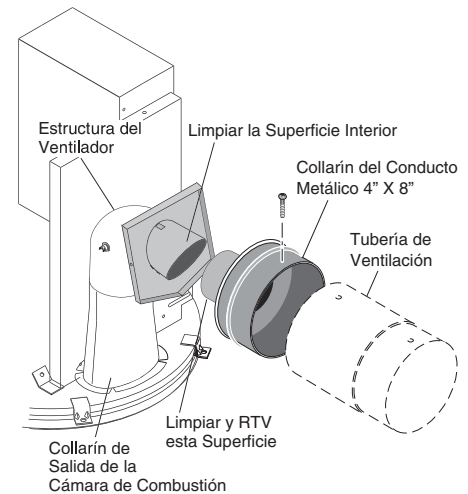


Figura 11.

1. Ver **Tabla 10**, para determinar los tamaños del ventilador permitidos para su calentador.

**AVISO:** La **Tabla 10** es para instalaciones en las cuales la longitud total de la ventilación lateral (es decir, la distancia horizontal desde el collarín de conducto hasta a donde finaliza la porción principal del ventilador) es menor que la mitad de la altura total del ventilador (la distancia vertical desde el collarín de conducta hasta la parte final del ventilador) y el cual tiene tres o menos codos en el sistema. Para sistemas de ventilación que no satisfacen estas condiciones, consulte con el National Fuel Gas Code, ANSI Z223. 1 (EE.UU.), o los estándares CSA B 149.1 y B 149.2 (Canadá).

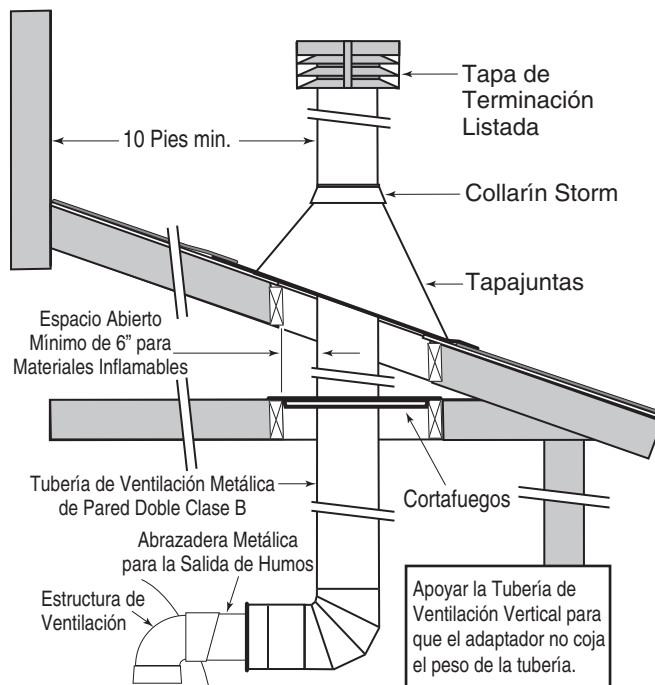
Leer "VENTILACION VERTICAL - PRESION NEGATIVA" antes de usar esta tabla.

Tabla 10. – Alturas Máximas y Mínimas de Ventilación Permitida según el Tamaño y Modelo del Calentador

Ventilación de Pared Doble Tipo "B" con Conector de Pared Doble Tipo "B" en Pies (Metros)					
Tamaño de Ventilación	Modelo 175 Altura mín./máx.	Modelo 200 Altura mín./máx.	Modelo 250 Altura mín./máx.	Modelo 300 Altura mín./máx.	Modelo 400 Altura mín./máx.
6 pulg.	6 pies (1.8)/100 pies (30.5)	6 pies (1.8)/100 pies (30.5)	18 pies (5.5)/100 pies (30.5)	30 pies (9)/100 pies (30.5)	Not Reg.
7 pulg.	6 pies (1.8)/100 pies (30.5)	6 pies (1.8)/100 pies (30.5)	8 pies (2.4)/100 pies (30.5)	10 pies (3)/100 pies (30.5)	15 pies (4.6)/100 pies (30.5)
8 pulg.	6 pies (1.8)/100 pies (30.5)	6 pies (1.8)/100 pies (30.5)	6 pies (1.8)/100 pies (30.5)	6 pies (1.8)/100 pies (30.5)	8 pies (2.4)/100 pies (30.5)
9 y 10 pulg.	6 pies (1.8)/50 pies (15.3)	6 pies (1.8)/50 pies (15.3)	6 pies (1.8)/50 pies (15.3)	6 pies (1.8)/100 pies (30.5)	6 pies (1.8)/100 pies (30.5)
Ventilación de Pared Doble Tipo "B" con Conector de Pared Individual Tipo "B" en Pies (Metros)					
Tamaño de Ventilación	Modelo 175 Altura mín./máx.	Modelo 200 Altura mín./máx.	Modelo 250 Altura mín./máx.	Modelo 300 Altura mín./máx.	Modelo 400 Altura mín./máx.
6 pulg.	6 pies (1.8)/15 pies (4.6)	6 pies (1.8)/15 pies (4.6)	6 pies (1.8)/15 pies (4.6)	Not Reg.	Not Reg.
7 pulg.	6 pies (1.8)/8 pies (2.4)	6 pies (1.8)/8 pies (2.4)	6 pies (1.8)/8 pies (2.4)	10 pies (3)/20 pies (6)	15 pies (4.6)/50 pies (15.3)
8 pulg.	Not Reg.	Not Reg.	Not Reg.	6 pies (1.8)/20 pies (6)	8 pies (2.4)/20 pies (6)
9 pulg.	Not Reg.	Not Reg.	Not Reg.	Not Reg.	6 pies (1.8)/6 pies (1.8)
10 pulg.	Not Reg.	Not Reg.	Not Reg.	Not Reg.	Not Reg.



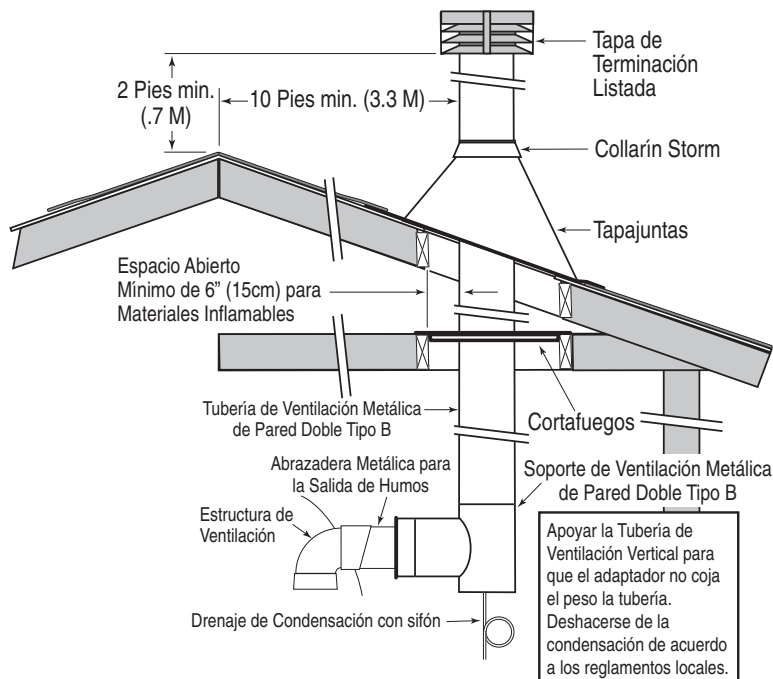
2. Instale el Collarín de Conducto Metálico en la estructura del Ventilador del Calentador (ubicado debajo de la cubierta externa del ventilador). Asegure el Collarín de Conducto Metálico a la estructura del ventilador con dos tornillos para láminas metálicas #10. Utilice sellador de silicón RTV de temperaturas altas para sellar el Collarín de Conducto Metálico a la Estructura del Ventilador. Antes de conectar el Collarín de Conducto Metálico a la Estructura del Ventilador, humedezca un paño limpio o papel toalla con alcohol isopropílico y limpie vigorosamente el encaje de la estructura del ventilador. Inmediatamente limpie y seque las superficies con un paño limpio o papel toalla. Repita este procedimiento para la parte exterior del extremo de 10.16 centímetros del Collarín de Conducto Metálico. Adhiera el Collarín de Conducto Metálico a la Estructura del Ventilador utilizando silicona RTV que viene con el kit siguiendo las instrucciones del fabricante del ventilador (incluido con el kit).
3. Fije el tubo del ventilador al Collarín de Conducto metálico con tornillos para láminas metálicas.



**Figura 12. – Instalación Típica de la Tubería del Ventilador Metálico - EE.UU. (Presión Negativa - Vertical)**

### **⚠ ADVERTENCIA**

**RRiesgo de incendio o asfixia si el ventilador no es ensamblado de acuerdo a las instrucciones del fabricante o si las piezas del ventilador de distintos fabricantes son mezcladas.** Las piezas del ventilador de otros fabricantes NO SON intercambiables. Mezclar piezas provenientes de más de un fabricante puede causar filtraciones o daños al ventilador. Cuando arme un ventilador, escoja un fabricante y asegúrese que todas las piezas del ventilador provengan del mismo fabricante y verifique que estén especificadas por el fabricante para su sistema. Durante el ensamblaje y la instalación siga cuidadosamente las instrucciones del fabricante, los requisitos del reglamento local, el Código Nacional de Gas Combustible (EE.UU.) o los estándares CSA B149.1 y B149.2 (Canadá).



**Figura 13. – Instalación Típica de la Tubería del Ventilador Metálico - Canadá (Presión Negativa - Vertical)**



4. Instale la tubería del ventilador de modo que se pueda expandir y contraer libremente cuando cambie la temperatura. Sostenga la tubería del ventilador de acuerdo a los reglamentos correspondientes y a las instrucciones del fabricante del ventilador. El soporte de la tubería deberá permitir que la tubería del ventilador tenga un movimiento libre de entrada y salida, de lado a lado, o arriba y abajo si es necesario, sin ejercer presión en el calentador o en la estructura del ventilador. La inclinación de la tubería horizontal desde el calentador debe ser al menos ¼" de pie (2 cm por metro). Instale desagües de condensación en los puntos bajos en donde la condensación se podría acumular. Conecte los desagües de condensación a un desagüe a través de una cañería fuerte o de una tubería de temperatura alta como el caucho de silicona o silicona EPDM - no utilizar vinilo ni otras tuberías de baja temperatura. Siga las instrucciones de instalación del fabricante del desagüe.
5. Utilice cortafuegos para pisos y penetraciones en techos. Utilice casquillos para las penetraciones en paredes. Utilice tapajuntas para techos, caballetes de techo o guardacabo de techo para todas las penetraciones. No rellene el espacio alrededor del ventilador (es decir, el espacio del aire en el casquillo o el cortafuegos) con aislamientos. La abertura del techo debe estar centrada de modo que el ventilador se encuentre de forma vertical.
6. **No pasar el ventilador del calentador hacia un ventilador común con otro artefacto.**

### **ADVERTENCIA**

**Riesgo de incendio. No ventile el calentador directamente en una chimenea de mampostearía.** Para una instalación en una chimenea de mampostería se debe utilizar un revestimiento para chimenea y cumplir con el Código Nacional de Gas Combustible, ANSI Z223, 1/NFPA 54 y/o CSA B149.1, los requisitos de los Códigos de Instalación de Gas Natural y Propano y todos los requisitos de reglamentos locales.

### **ADVERTENCIA**

**Riesgo de incendio, envenenamiento con monóxido de carbono o asfixia.** Se recomienda utilizar un Monitor de monóxido de carbono y una Alarma de Incendios en habitaciones que contengan artefactos que funcionan con gas.

**VENTILACION HORIZONTAL O VERTICAL - PRESION POSITIVA** (Ver Figuras 14, 15, y 16)**(Categoría III)**

Ventile el calentador horizontalmente o verticalmente utilizando un adaptador opcional de ventilación de gas de 10.16 centímetros especialmente aprobado para tuberías de ventilación de Categoría III listados en la Tabla 11. Instale la tubería de ventilación conforme a los reglamentos locales y a las indicaciones del Código Nacional de Gas Combustible, ANSI Z223.1 (EE.UU.), o los estándares CSA B149.1 Códigos de Instalación de Gas Propano y Gas Natural (Canadá) y las instrucciones del fabricante del ventilador. No utilice una campana de extracción con este calentador. Instale el ventilador de acuerdo a las instrucciones detalladas del fabricante.

Mantenga espacio abierto entre la tubería de ventilación y superficies inflamables de acuerdo a las instrucciones detalladas del fabricante del ventilador y los requisitos de los reglamentos. No coloque ningún material aislante alrededor del ventilador o dentro del espacio de aire requerido alrededor del ventilador. Ver la **Tabla 11** para las longitudes máximas permisibles de ventilación.

**NOTA**

**La extensión de ventilación permitida para cada diámetro de tubería de ventilación es distinta y no puede ser excedida.**

Cada codo de 90 grados reduce la extensión máxima de ventilación horizontal máxima por 3.66 metros y cada codo de 45 grados la reduce por 1.83 metros. Ver la tabla de abajo para las longitudes máximas de la ventilación utilizando codos de 90 grados y 45 grados.

El MasterTemp es un artefacto de "Categoría III" y es un calentador para piscinas y spa que utiliza presión positiva para expulsar los gases de combustión a través de la tubería de ventilación hacia el exterior. **Los gases de combustión bajo presión positiva pueden filtrarse hacia la habitación debido a rajaduras o conexiones sueltas en la tubería de ventilación o por una instalación inadecuada del ventilador.** La tubería de ventilación debe ser de una construcción de costura sellada, como las que aparecen listadas para ser utilizadas con "Artefactos de Categoría III" y para temperaturas de operaciones de menos de 204.45° C. La calidad de la tubería de ventilación debe ser de material anticorrosivo aprobado UL 1738, como acero inoxidable y aluminio galvanizado. Se podría necesitar una trampa de condensación. Se requiere el uso de caballetes de techo, guarda cabos de techo y/o terminales de ventilación; y espacios abiertos adecuados hacia materiales inflamables deberán mantenerse de acuerdo al tipo de tubería de ventilación que se emplee—en la ausencia de una recomendación de espacio abierto de parte del fabricante, se deberán cumplir con las recomendaciones del Código de Mecánica Uniforme. **En la página 19 se encuentran los requisitos de ventilación de aire para el calentador MasterTemp.** Para tuberías de ventilación con una longitud sobre los 5.489 metros se recomienda que sean aisladas para reducir los problemas relacionados a la condensación y/o el uso de una trampa de condensación cerca del calentador podría ser necesario en algunas instalaciones como en climas fríos. Las tuberías de ventilación con una longitud de 3 pies (1M) o menos no requieren una unión "T" de condensación. El calentador MasterTemp es adecuado para la ventilación a través de la pared.

Ventilador Especial de Gas de 4 pulg. (Vertical u Horizontal)*	
Núm. de Codos de 90°	Longitud Máxima en Pies (M)
0	70 pies (21.3M)
1	58 pies (17.7M)
2	46 pies (14.0M)
3	34 pies (10.4M)
4	22 pies (6.7M)

\* La longitud mínima de la ventilación es de un pie (.34M), o según las instrucciones del fabricante del ventilador y de acuerdo con los reglamentos nacionales y locales. Las ventilaciones horizontales de 3'(1M) o menos de longitud no requieren un soporte de condensación, pero debe tener una inclinación de ¼" de pie (2cm/M) en dirección a la salida para permitir el drenaje de la condensación.

Tabla 11.

**⚠ PRECAUCION**

**NO** combine las tuberías de ventilación de escape con un ventilador de escape común en instalaciones de unidades múltiples. Es necesario separar las tuberías de ventilación.

**CONEXION DE VENTILACION DE GAS ESPECIAL AL CALENTADOR**

Metálico:

- Ordene un equipo de adaptador opcional para dispositivos, (Pentair ofrece equipos de adaptadores opcionales, llame a nuestro departamento de servicio al cliente.):
  - Parte Núm. 77707-0086 para Saf-T Vent™ o Saf-T Vent™ CI
  - Parte Núm. 77707-0087 para Z-Vent
- Retire la cubierta externa del ventilador.
- Instale el Adaptador de Artefacto en la estructura del ventilador del calentador (ubicado debajo de la cubierta externa del ventilador). Antes de conectar el Adaptador de Artefacto en la estructura del ventilador, humedezca un trapo limpio o papel toalla con alcohol isopropílico y limpie vigorosamente el conector de la estructura del ventilador. Inmediatamente limpie y seque las superficies con un trapo limpio o papel toalla. Repetir este proceso en el exterior de la parte que va hacia el calentador del Adaptador de Artefacto. Conecte el adaptador de artefacto a la estructura del ventilador utilizando el adhesivo indicado por el fabricante y siguiendo las instrucciones del fabricante.

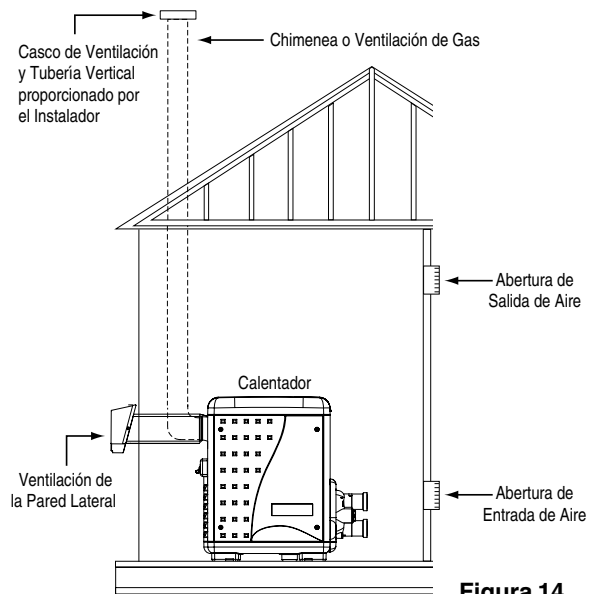
## ⚠️ ADVERTENCIA

**Riesgo de envenenamiento con monóxido de carbono si el adaptador es conectado inapropiadamente.** Las conexiones mecánicas (como uso de tornillos) pueden causar rajaduras y filtraciones en el adaptador. **NO** taladrar o utilizar tornillos para conectar el adaptador de artefacto a la estructura del ventilador del calentador. Conéctelo con el adhesivo especificado por el fabricante.

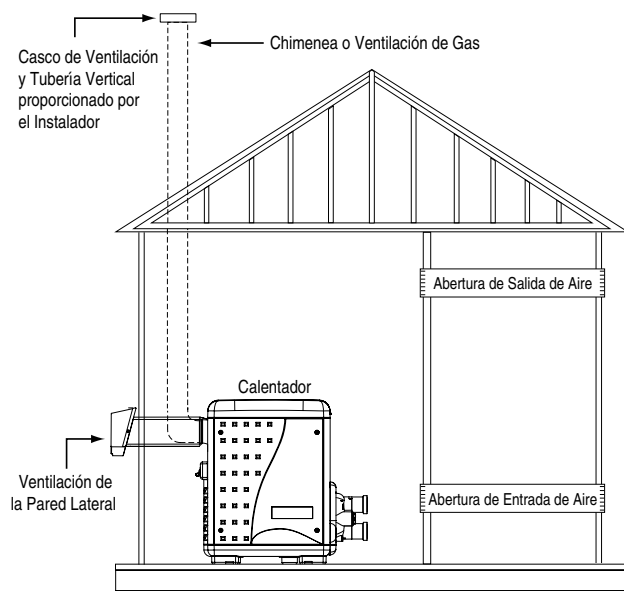
## ⚠️ ADVERTENCIA

**Riesgo de incendio o asfixia si el ventilador no es ensamblado de acuerdo a las instrucciones del fabricante o si las piezas del ventilador de distintos fabricantes son mezcladas.** Las piezas del ventilador de distinto fabricantes **NO SON** intercambiables. La mezcla de piezas que provienen de distintos fabricantes puede causar filtraciones o daños al ventilador. Cuando instale un ventilador, escoja un fabricante y asegúrese que todas las piezas del ventilador provengan del mismo fabricante y verifique que este se adapte a su sistema. Durante el ensamblaje e instalación siga las instrucciones del fabricante, los requisitos del reglamento local, del Código Nacional de Gas Combustible (EE.UU.) o CSA B149.1 y de los Códigos de Instalación de Gas Natural y Propano (Canadá).

4. Instale la tubería de ventilación de modo que se expanda y se contraiga libremente cuando cambie la temperatura. Coloque la tubería de ventilación de acuerdo a los reglamentos correspondientes y a las instrucciones del fabricante del ventilador. El soporte de la tubería deberá permitir que la tubería del ventilador tenga un movimiento libre de entrada y salida, de lado a lado, o arriba y abajo si es necesario, sin ejercer presión en el calentador o en la estructura del ventilador. Se recomienda inclinar hacia arriba el tendido de la tubería horizontal desde el calentador debe ser al menos  $\frac{1}{4}$ " de pie (2 cm por metro). Instale desagües de condensación en los puntos bajos en donde la condensación se podría acumular. Conecte los desagües de condensación a un desagüe a través de una cañería fuerte o de una tubería de temperatura alta como el caucho de silicona o silicona EPDM - no utilizar vinilo ni otras tuberías de baja temperatura. Siga las instrucciones de instalación del fabricante del desagüe.
5. Utilice cortafuegos para pisos y penetraciones en techos. Utilice casquillos para las penetraciones en paredes. Utilice tapajuntas para techos, caballetes de techo o guardacabo de techo para todas las penetraciones. No rellene el espacio alrededor del ventilador (es decir, el espacio del aire en el casquillo o el cortafuegos) con aislamientos. La abertura del techo debe estar centrada de modo que el ventilador se encuentre de forma vertical.
6. **Terminación de la Ventilación – Vertical** (Ver Figuras 14 y 15), para saber la altura de la terminación de la ventilación sobre el techo. Utilice un terminal de ventilación establecido por los reglamentos nacionales y locales y las instrucciones del fabricante. La terminación del techo debe ser vertical. En Canadá, la ubicación del casco del ventilador debe tener un espacio abierto mínimo de 4 pies (1.2m) horizontalmente de contadores eléctricos, contadores de gas, reguladores y aberturas de desahogo.
7. Asegúrese que la instalación completa esté sellada según las normas aprobadas.



**Figura 14.**



**Figura 15.**

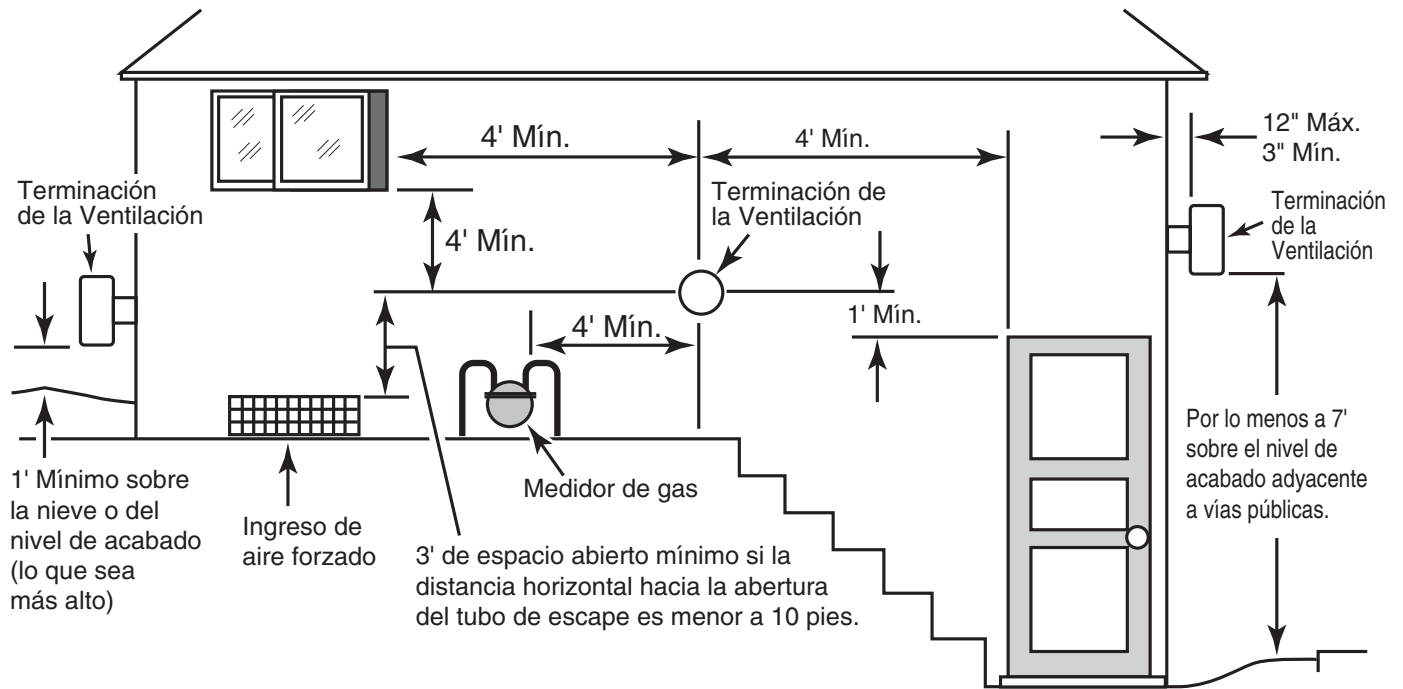


Figura 16.

**8. Terminación de la Ventilación – Horizontal**

El terminal debe ser ubicado (EE.UU.) - Ver Figura 16).

- Por lo menos a .076 metros y como mucho a .305 metros fuera de la pared (ver Figura 17), siguiendo las instrucciones del fabricante del ventilador
- Por lo menos a .305 metros sobre el nivel de acabado o el nivel de acumulación de nieve que se genera normalmente, el que sea más alto
- Por lo menos a 1.22 metros por debajo o horizontalmente desde, o .31 metros sobre cualquier puerta, ventana o entrada de aire por gravedad a un edificio
- Por lo menos a .914 metros sobre cualquier entrada de aire a presión ubicado dentro de 3.05 metros
- Por lo menos a 1.22 metros horizontalmente de contadores eléctricos, contadores de gas, reguladores y equipo de desahogo
- Por lo menos a 2.134 metros sobre el nivel de acabado adyacente a vías públicas o áreas de tráfico

El terminal debe ser ubicado (Canadá - Ver Figura 16)

- Por lo menos a 3.05 metros de cualquier abertura hacia un edificio
- Por lo menos a .305 metros sobre el nivel de acabado o el nivel de acumulación de nieve que se genera normalmente, el que sea más alto
- Por lo menos a 1.22 metros horizontalmente de contadores eléctricos, contadores de gas, reguladores y equipo de desahogo
- Por lo menos a 2.134 metros sobre el nivel de acabado adyacente a vías públicas o áreas de tráfico

Permita por lo menos 1 metro de distancia vertical sobre la terminación de la ventilación cuando acaba debajo de una saliente o cubierta.

Evite esquinas u hornacinas donde la nieve o viento puedan tener efecto. El escape puede afectar arbustos y algunas materiales de construcción. Mantenga los arbustos alejados de la terminación. Para prevenir manchas o deterioro se podría necesitar sellar o proteger las superficies expuestas.

**⚠️ ADVERTENCIA**

**Peligro de Incendio.** No lleve la ventilación del calentador adentro de una ventilación común con otro aparato. No lleve la ventilación de gas especial adentro, a través de o en el interior de cualquier ventilación activa como una chimenea construida de fábrica o de mampostería.

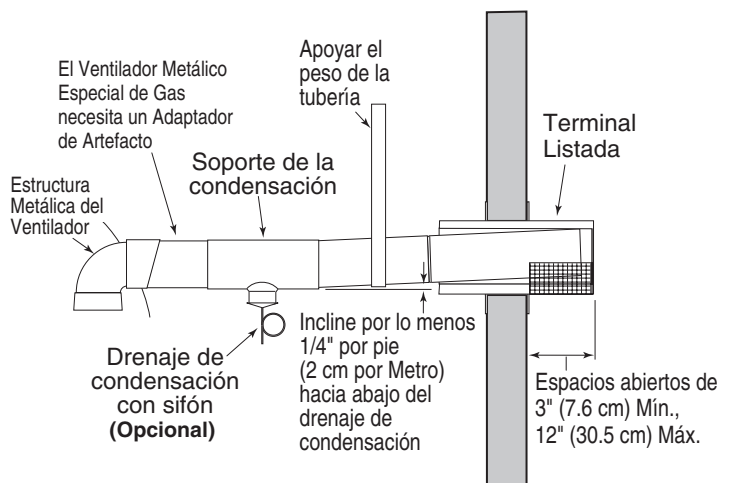


Figura 17.

## INSTALACIÓN EN COBERTIZO AL AIRE LIBRE

En Canadá este calentador de piscina sólo puede ser instalado en el exterior o en áreas cerradas que normalmente no son ocupadas y que no tenga aberturas directas hacia áreas ocupadas.

### ⚠️ ADVERTENCIA

**Riesgo de asfixia si el escape no es correctamente ventilado.** Siga las instrucciones de ventilación al instalar el calentador. No use campana de extracción con este calentador, debido a que los escapes están bajo presión del ventilador del quemador y una campana de extracción permitiría que los vapores ingresen al cuarto alojando el calentador. La ventilación de los escapes hacia el exterior es requerido en todas las instalaciones en cobertizos al aire libre.

### ⚠️ ADVERTENCIA

**Riesgo de explosión si una unidad quemando gas propano es instalada en un hoyo o punto bajo.** Propano es más pesado que aire. No instale el calentador que utiliza propano en hoyos u otros lugares en donde el gas podría acumularse. Consulte sus funcionarios locales de reglamentos de construcción para determinar los requisitos y las restricciones específicas de la instalación del calentador en relación a los tanques de almacenamiento de propano y equipo de suministro. La instalación debe cumplir con los requisitos de la Estándar para el Almacenamiento y Manejo de Gases Licuados de Petróleo, CAN/CSA B1492 (última edición) o ANSI/NFPA 58 (última edición). Consulte reglamentos locales y autoridades de protección de incendio sobre restricciones específicas de instalación.

El Calentador es un diseño certificado por CSA International para instalación en suelo inflamable, en sótanos; armarios o cuartos de servicios (en los EE.UU.).

## INSTALACION EN GARAJE O CUARTO DE SERVICIOS

En Canadá el calentador debe ser instalado en un cuarto que usualmente no sea ocupado y que no tenga aberturas directas hacia áreas ocupadas.

### ⚠️ ADVERTENCIA

**Riesgo de fuego y explosión si es instalado al nivel del suelo en un garaje de automóviles o cerca de gasolina o almacenamiento de líquido inflamable.** Los vapores de la gasolina pesan más que el aire y se asentarán al nivel del suelo en espacios cerrados. Los vapores de gasolina y gasolina derramada u otro líquido volátil (como pinturas y barnices) viajarán a través del suelo y podrían ser encendidos por un artefacto a gas.

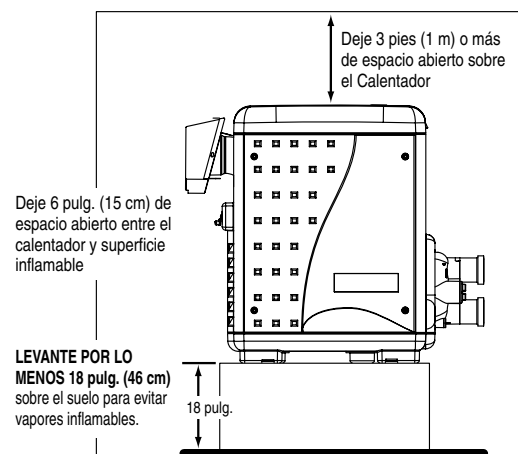
En cualquier instalación de cuarto de servicios o garaje residencial, instale el calentador con la base a por lo menos 18 pulgadas (.5m) sobre el suelo, ver **Figura 18**. En un garaje instale una riel o pared para proteger el calentador de daño físico provocado por un vehiculo en movimiento.

**Provea un suministro adecuado de aire de ventilación** (Ver **Tabla 8**, **pagina 19**). **Escoja un lugar que evite contaminación de vapores químicos..**

### ⚠️ PRECAUCION

**Un calentador de fuego propano (LPG) no debe ser instalado en un garaje en Massachussets por orden del Jefe de Bomberos del Estado de Massachussets (Massachussets State Fire Marshal). Para más información llame a la oficina del Jefe de Bomberos del Estado de Massachussets.**

**NOTIFICACION:** El aire de combustión contaminado por vapores químicos corrosivos puede dañar el calentador y anulará la garantía. (Ver **Tabla 9**, **pagina 19**).

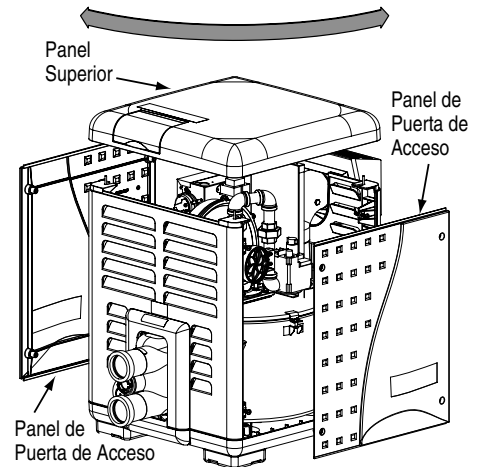


**Figura 18.**

## INDEXADO DEL PANEL DE CONTROL

En una instalación en un cobertizo al aire libre, los escapes descargan en una tubería de ventilación. Oriente el calentador para que la tubería de ventilación no interfiera con los ajustes de los controles operativos. El panel de control localizado en el panel superior puede ser rotado a cualquiera de los tres lados del calentador para fácil acceso, ver **Figura 19**.

1. Remueva los pernos de los paneles de las puertas. Remueva los dos paneles de acceso de las puertas.
2. Remueva los cuatro tornillos esquineros que aseguran el panel superior. Levante el panel superior hacia arriba para quitar el panel superior.
3. Rote el panel superior a la posición deseada ubicada en ángulos de 90°. *Nota que el panel de control NO debe ser ubicado en el lado en que se encuentra la abertura.*
4. Reponga el panel superior sobre los paneles laterales. Este seguro de que ningún cable se haya pinchado debajo del panel.
5. Asegure el panel superior usando los cuatro tornillos de las esquinas.
6. Reconecte los paneles de acceso de las puertas.



**Figura 19.**

## REVISION FINAL DE LA INSTALACION

Verifique que la tubería de ventilación horizontal corre con una inclinación uniforme de por lo menos ¼" por pie (2cm por metro) para condensar drenaje(s). Que no haya hendiduras, bajadas, ni puntos altos o bajos.

Verifique que la ventilación este soportada en los codos, cruces "T", y tiros horizontales y verticales de acuerdo a las instrucciones de fabricante y los requisitos de los reglamentos.

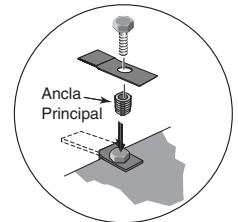
Verifique que los soportes de ventilación y penetraciones de pared y techo permitan movimiento libre hacia arriba, abajo, y a los costados sin ponerle esfuerzo a el calentador o a la estructura del ventilador.

Verifique que haya por lo menos 6 pulgadas (15cm) de espacio libre de aire entre la tubería de ventilación del calentador y materiales inflamables.

Verifique que todas las conexiones estén juntas y selladas.

En Florida, los reglamentos de construcción requieren que el calentador sea anclado a la placa del equipo para que resista presiones altas de vientos durante huracanes. Un Kit de Soporte con Tornillo P/N 460738 está disponible con abrazaderas de ancla diseñadas para aguantar la unidad a la placa del equipo en condiciones de vientos fuertes. La instalación de abrazaderas de ancla es recomendada en todas las instalaciones y es requerido en Florida, (Ver El Código de Construcción de Florida 301.13/Florida Building Code 301.13).

Compre por separado un kit de abrazaderas ajustables para el montaje de grampas y tornillos para el Calentador, Núm. de Parte 460738.





## CONEXIONES ELECTRICAS

Calificación Eléctrica 60Hz 120/240 Voltios AC, Monofásico

Encierre la línea para el calentador en un conducto flexible aprobado directamente a la caja de conexiones dentro de la puerta de acceso del panel. El cableado de la línea de voltaje debe ser calibre 14 con una capacidad de circuito de 15 amperios.

### ⚠ PRECAUCION

**Este calentador fue diseñado para operar en 120VAC o 240VAC. No se recomienda conectar U operar en 208 VAC.**

#### NOTA

- Antes de hacer cualquier conexión eléctrica a la fuente de poder remueva los paneles de la puerta de acceso, abra la caja de control y retire los enchufes de 12 pines de su bolsa y enchufe el enchufe correcto (120 voltios o 240 voltios).
- Si cualquiera cable del cableado original suministrado con este calentador debe ser reemplazado, el instalador debe proveer cable de cobre (Alambre núm. 18 AWG, 600V, 105° C. U.L. AMW aprobado energía baja hilo) o su equivalente.



### ⚠ PRECAUCION

**El calentador es enviado desde la fábrica con el enchufe de 240V instalado. Instalar el enchufe de 120V y conectar el calentador a una toma de 240V destruirá inmediatamente el transformador, panel de control, y el módulo del control de encendido, y anulará la garantía. Si instala el enchufe de 240V y conecta el calentador a una toma de 120 voltios de corriente, el calentador no operará.**

Por favor lea las cajas encabezadas ";IMPORTANTE! ¡LEAME PRIMERO!" en las páginas 37 y 41 antes de proceder.

1. Todo el cableado debe estar conforme a todos los reglamentos aplicables.
2. El calentador cuando es instalado debe ser eléctricamente conectado a tierra y conforme a reglamentos locales o en la ausencia de reglamentos locales con el Código Nacional Eléctrico o el Código Eléctrico Canadiense (según aplicable). Una oreja de enlace esta disponible en la parte exterior del panel de ventilación para este propósito.
3. Circuitos eléctricos de energía para el calentador de piscina deben seguir reglamentos locales y el Código Nacional Eléctrico o el Código Eléctrico Canadiense (según aplicable).
4. Todo el cableado entre el calentador y los artefactos no conectados a él o entre artefactos separados que estén instalados en el campo debe ser alambre Tipo "T" clasificado para elevación de 35° C.
5. Todo alambrado de línea de voltaje debe ser encerrado en un conducto flexible aprobado y debe estar firmemente conectado a la caja de alambrado localizada en la parte interior del panel de la puerta de acceso. El conducto o el conector del cable en la caja de alambrado deben contener un cojinete de aislamiento o su equivalente para prevenir abrasión en los alambres que entran en la caja.
6. **La bomba de filtro debe correr continuamente cuando el calentador esté encendido y por lo menos 15 minutos después que se haya apagado.** Cualquier interruptor en el circuito de la bomba (incluyendo corta circuitos) que puedan desconectar la bomba deben también desconectar el calentador.
7. No conectar interruptores de un sólo polo incluyendo artefactos de protección a una línea conectada a tierra. El calentador no es sensible a la polaridad.

Conecte el **L1** de la fuente de poder al cable **negro**, el **L2** o neutral al cable **rojo**, y el cable de **tierra** al cable **verde**. Un reloj controlando la bomba de filtro debe tener un Interruptor de Bombero que apague el calentador por lo menos 15 minutos antes de apagar la bomba.

*Siempre utilice conectores de crimpar cuando conecte dos cables.*

Enchufe AC de  
120 Voltios  
o  
240 Voltios

Figura 20.





## CONEXION DEL INTERRUPTOR DE BOMBERO O CONTROL REMOTO

### ⚠ PRECAUCION

Si, mientras aún haya una línea de voltaje conectada al calentador, usted toca cualquiera de los dos terminales de línea de voltaje con cualquier alambre 24VAC que esté conectado al panel de control (incluyendo el arrancador del Interruptor de Bombero) usted destruirá inmediatamente el panel de control y anulará la garantía.

### CONEXIONES DE CONTROL REMOTO

1. Apague el poder para el calentador en el panel principal de corta circuitos.
2. Desentornille y remueva los paneles de la puerta de acceso.
3. Abra la tapa de la caja de control (ver [Figura 21](#)).
- 4a. *Para conectar un control de 2 cables* (tal como Pentair's IntelliTouch o EasyTouch) *o un sincronizador*:
  - Remueva el arrancador instalado de fábrica de los terminales del Interruptor de Bombero.
  - Conecte los cables entre los terminales del Interruptor de Bombero en el calentador y el regulador. Conecte los cables del controlador o del sincronizador al Interruptor de Bombero. El controlador, el sincronizador o el regulador deben ser preparados para manejar 24VAC a 0.5 Amp (por que completara el circuito de 24VAC del panel de control en el calentador como se muestra en la [Figura 22](#)). NO aplique voltaje de línea a los terminales del interruptor de bombero. Use cable calibre 18 con un mínimo de 3/64" (1.2mm) de grosor de aislamiento clasificado para una elevación de temperatura de por lo menos 105° C.
  - Las tapas provisionales están colocados para guiar a los cables a través del fondo de la caja de control pasando la caja de conexiones.
- 4b. *Para conectar un control de 3 cables*:
  - Conecte los cables entre los terminales del panel de control en el calentador y los reguladores externos, como se muestran en la [Figura 23](#). Utilice por lo menos 2 reguladores por calentador para permitir una posición de "APAGADO" en cada modo del calentador. Seleccione reguladores que puedan manejar interrupción de nivel de logística. NO aplique línea de voltaje a los terminales del panel de control.
  - Mueva el arrancador (como se muestra en la [Figura 23](#)) para habilitar el control exterior y deshabilitar los botones "Piscina Encendida" y "Spa Encendido" (la tecla de "Apagado" permanece funcional).
  - Las tapas provisionales están colocados para guiar a los cables a través del fondo de la caja de control pasando la caja de conexiones.
5. Cierre la tapa de la caja de control.
6. Re-instale los paneles de las puertas de acceso.

Para controlar calentadores que son operados en paralelo, conecte el cableado en el mismo lugar en el calentador como en Controlador de 2 Cables y Controlador de 3 Cables. Es imperativo que cada circuito de control este aislado de otros circuitos de control para evitar que la corriente fluya de un calentador a otro a través de los circuitos de controlador.

**AVISO:** El fusible para el Interruptor de Bombero es un fusible de acción rápida de 1.25 Amp 1¼ x ¼" que está comúnmente disponible.

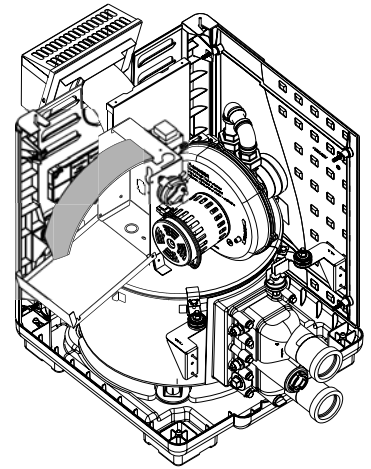


Figura 21.

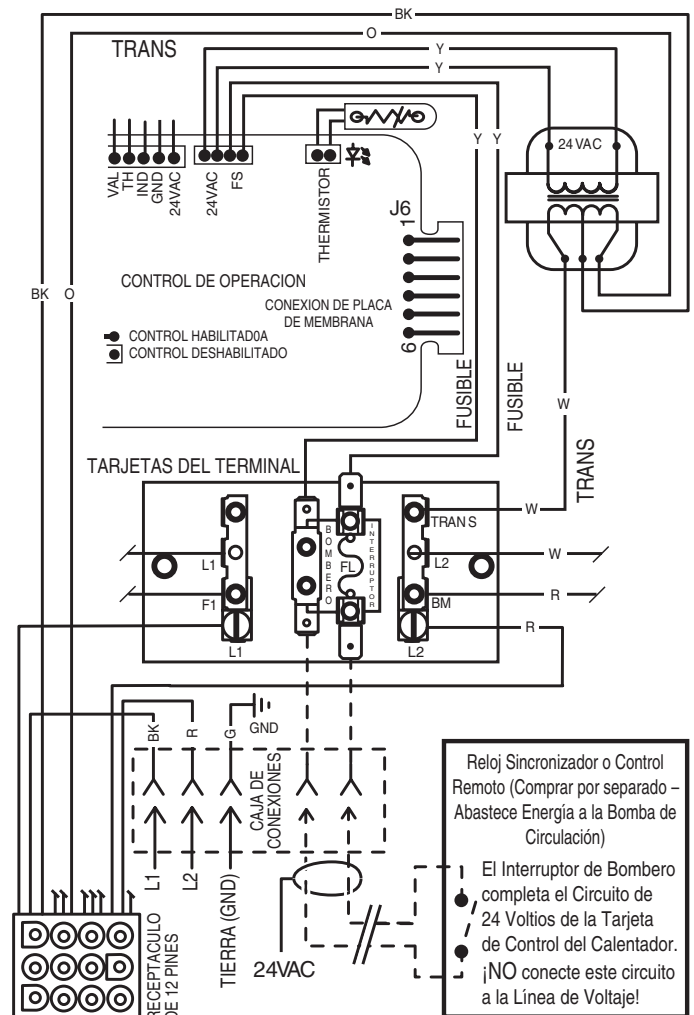


Figura 22.

# DIAGRAMA DE CABLEADO MASTERTEMP (SISTEMA DE 3-CABLES)

## DIAGRAMA DE CONEXION

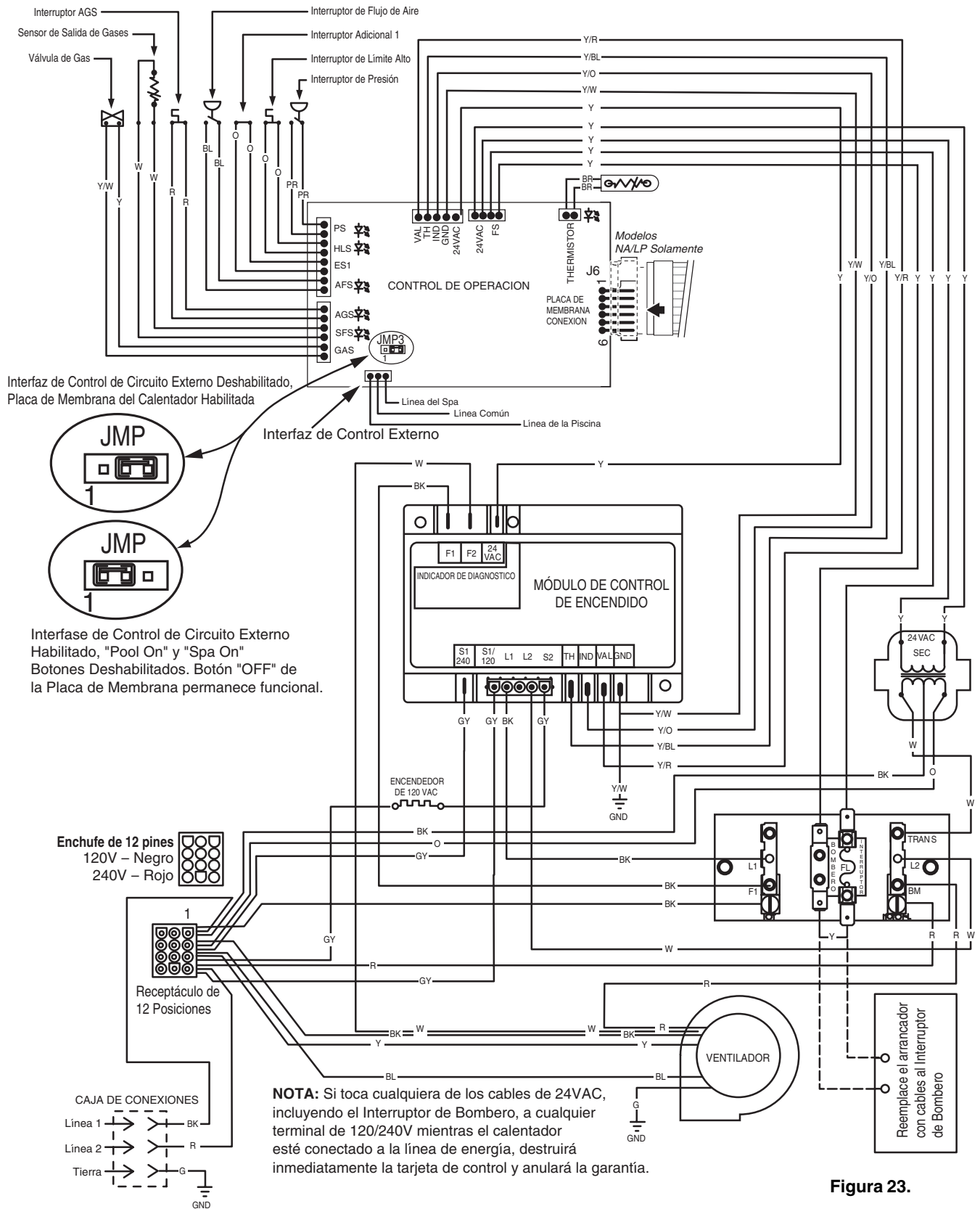
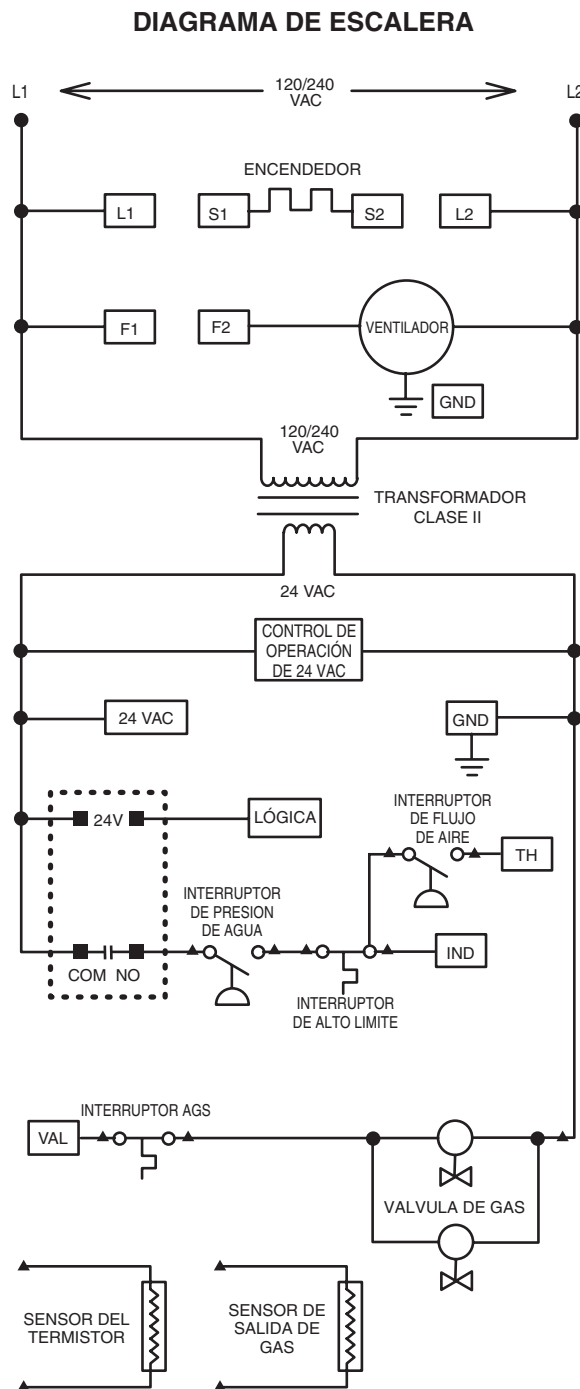


Figura 23.

# DIAGRAMA EN FORMA DE ESCALERA DEL ESQUEMATICO ELECTRICO



**NOTAS:**

- 1.) 

L1	L2	F1	F2	S1	24 VAC
----	----	----	----	----	--------

S2	GND	IND	VAL	Y	TH
----	-----	-----	-----	---	----

ESTAN CONECTADOS AL MODULO DE ENCENDIDO.

- 2.) ▲ CONECTOR DE PIN Y INTERFAZ DE CONEXION.  
 3.) SI CUALQUIERA DE LOS CABLES ORIGINALES SUMINISTRADOS CON EL APARATO DEBE SER REEMPLAZADO, EL MISMO DEBE SER REEMPLAZADO CON TIPO DE 105° C O SU EQUIVALENTE.

**Figura 24.**


# Instrucciones de Operación

## OPERACION BASICA DEL SISTEMA

Encienda la bomba, asegúrese de que la bomba esté funcionando y está preparada para cerrar el interruptor de presión de agua y suministrar energía al calentador. Asegúrese que la piscina y/o spa estén adecuadamente llenos de agua. Siga las siguientes instrucciones sobre Encendido/Operación.

## ENCENDIDO/OPERACION DE LA IGNICION ELECTRONICA MASTERTEMP HSI

### PARA SU SEGURIDAD: LEA ANTES DE ENCENDER

<b>⚠ ADVERTENCIA</b>	
	Si usted no sigue estas instrucciones al pie de la letra, puede ocurrir un fuego o una explosión causando daños a la propiedad, lesiones personales o pérdida de vida.
	No intente encender el calentador si sospecha que hay una fuga de gas. Encender el calentador puede ocasionar fuego o explosión, lo cual puede causar lesiones personales, muerte y daños a la propiedad.

## ENCENDIDO Y OPERACION

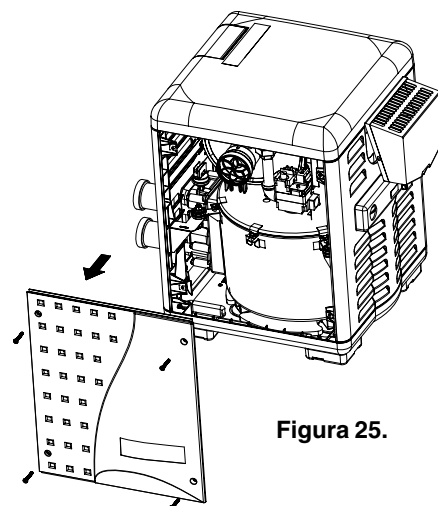
LAS INSTRUCCIONES DE ENCENDIDO Y APAGADO ESTAN EN LA ETIQUETA ADHERIDA A LA CUBIERTA DE LA CAJA DE CONTROL DEL APARATO.

### ANTES DE ENCENDER

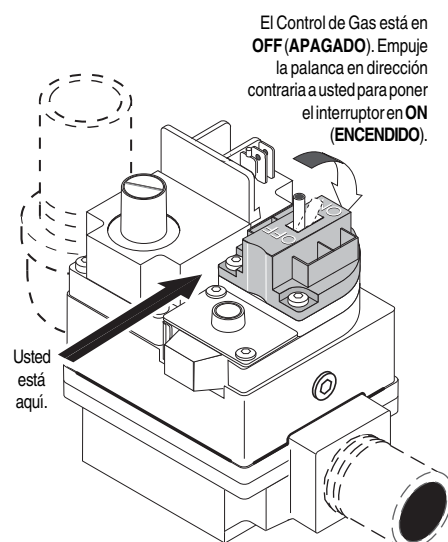
- A. Este aparato no tiene un piloto. Está equipado con un dispositivo de encendido que automáticamente enciende los quemadores. **No** trate de encender los quemadores manualmente.
- B. **ANTES DE USARLO**, asegúrese que no huela a gas alrededor del área del aparato. Asegúrese de oler cerca del suelo porque algunos gases son más pesados que el aire y se fijarán en el suelo.
- C. Use solamente su mano para encender y apagar el control del gas. Nunca use herramientas. Si no puede cambiar la opción de ON/OFF (ENCENDIDO/APAGADO) manualmente, no trate de repararla, llame a un técnico de servicio calificado. Una reparación forzada o intentada puede causar fuego o explosión.
- D. No use este calentador si cualquiera de sus partes ha estado bajo agua. Llame inmediatamente a un técnico de servicio calificado para inspeccionar el calentador y para reemplazar cualquier parte del sistema de control y cualquier control de gas que haya estado bajo agua.
- E. No opere el calentador de piscina a menos que la piscina o spa esté adecuadamente llena de agua.
- F. Antes de hacer funcionar el aparato por primera vez o después de que ha estado apagado por un periodo largo de tiempo, verifique la siguiente lista:
  1. Remueva los desechos u otros artículos del interior del calentador, del área alrededor del calentador y de su ventilación de escape. Asegúrese que las aberturas de la ventilación estén libres de desechos u obstrucciones. Para instalaciones en un espacio cerrado, asegúrese que las aberturas para el aire de combustión y ventilación no estén obstruidas.
  2. Mantenga el área del calentador limpio y libre de combustibles, líquidos inflamables y químicos.
  3. Verifique que todas las conexiones de agua estén cerradas.
  4. El agua debe estar circulando a través del calentador durante su funcionamiento. Asegúrese que la piscina/spa esté llena de agua y que funcione la bomba. Verifique que el flujo de agua del aparato no esté obstruido. Cuando haga funcionar el aparato por primera vez o después de que ha estado apagado por un periodo largo de tiempo, prenda la bomba del filtro por varios minutos para sacar todo el aire del sistema.

## INSTRUCCIONES DE OPERACION

1. **¡ALTO!** Lea la información de seguridad en la (página 32).
2. Fije los termostatos de la piscina y del spa al mínimo.
3. Apague la energía eléctrica del aparato.
4. Este aparato no tiene un piloto. Está equipado con un dispositivo de encendido que automáticamente enciende los quemadores. No trate de encender los quemadores manualmente.
5. Remueva los paneles de la puerta de acceso aflojando los cuatro tornillos ubicados en cada puerta, luego levante hacia arriba y hacia afuera desde la parte inferior del panel para removerlo. Si es necesario, los tornillos pueden usarse como manijas, ver **Figura 25**.
6. **Válvula de Palanca:** Tire la palanca hacia usted para apagar el gas, ver **Figura 26**.
7. Espere cinco (5) minutos para sacar cualquier gas. Si luego le huele a gas, **¡DETENGASE!** Siga el paso "B" de las instrucciones "Antes de Encender" (página 32). Si no le huele a gas, vaya al siguiente paso.
8. Empuje el interruptor de palanca en dirección contraria a usted para encender el gas.
9. Vuelva a colocar los Paneles de la Puerta de Acceso. Todos los paneles deben estar colocados cuando el calentador esté funcionando.
10. Fije las válvulas de 3 formas en la entrada y la salida de la piscina o spa, según corresponda.
11. Encienda la energía eléctrica del aparato.
12. Presione el botón interruptor POOL ON (PISCINA ENCENDIDA) o SPA ON (SPA ENCENDIDO) del control de operación.
13. Fije el termostato en la opción deseada (**NOTA:** El punto de ajuste debe estar sobre la temperatura de agua o el quemador no se encenderá). Ver "FUNCIONAMIENTO DEL PANEL DE CONTROL".
14. El ventilador debe funcionar inmediatamente, y luego de unos 20 segundos, el quemador debe encenderse. Cuando funciona por primera vez, puede ser que el quemador no encienda en el primer intento debido a que puede haber aire en la línea de gas. Si no enciende la primera vez, presione el interruptor OFF (APAGADO), espere cinco minutos, y presione nuevamente el interruptor POOL o SPA ON. El quemador deberá encenderse luego de 20 segundos. Quizás tenga que repetir esto hasta que todo el aire haya salido de la línea de gas.
15. El quemador deberá encenderse hasta que la temperatura de la piscina/spa alcance la temperatura deseada fijada en el termostato. El ventilador continuará funcionando alrededor de 45 segundos después de que el quemador se apague. Si algunos de los ganchos de seguridad se deben abrir durante la operación del quemador, el quemador se apaga inmediatamente, pero el ventilador continúa funcionando alrededor de 45 segundos. Si ocurre un sobrecalentamiento o el suministro de gas no se desconecta, apague la válvula de control de gas manual del aparato.
16. Si el aparato no funcionara, siga las siguientes instrucciones "PARA APAGAR EL GAS DEL ARTEFACTO", y llame a su técnico de servicio o proveedor de gas.



**Figura 25.**



El Control de Gas está en **OFF (APAGADO)**. Empuje la palanca en dirección contraria a usted para poner el interruptor en **ON (ENCENDIDO)**.

Usted está aquí.

**Figura 26.**

## PARA APAGAR EL GAS DEL ARTEFACTO

1. Presione el botón OFF (APAGADO) del control de operación.
2. Apague toda la energía eléctrica de la unidad.
3. Remueva los paneles de la puerta de acceso, ver **Figura 25**.
4. **Válvula de Palanca:** Tire la palanca hacia usted para apagar el gas, ver **Figura 26**.
5. Vuelva a colocar los paneles de la puerta de acceso.

## CONTROLES DE SEGURIDAD

### INTERRUPTOR DE FLUJO DE AIRE (AFS)

El interruptor de flujo de aire (ver **Figura 27**) es un dispositivo de seguridad utilizado para asegurar que el abanico de combustión del aire (ventilador) esté funcionando y a su vez ha sido diseñado para vigilar la presión de vacío (negativa) dentro de la caja del ventilador. El interruptor de flujo de aire ya está fijado por la fábrica y está conectado en la parte superior del módulo de encendido. El módulo de encendido no funcionará a menos que el interruptor de presión de aire y todos los interruptores de seguridad estén cerrados.

### INTERRUPTOR DE PRESION DE AGUA

#### ⚠ ADVERTENCIA

**Presión peligrosa. No haga un bypass al Interruptor de Presión de Agua o lo haga inoperable.**

El interruptor de presión de agua (ver **Figura 28**). Si el flujo de agua es restringido, el interruptor de presión de agua podría prevenir que el quemador encienda y provocará que la luz del "Brindar Servicio a Sistema" se encienda. Si la luz permanece encendida después de que el filtro ha recibido mantenimiento, un técnico de servicio calificado deberá revisar el sistema.

Para las instalaciones del calentador a nivel de cubierta, el interruptor de presión de agua está fijado por la fábrica a 3.00 psi (20.6 kPa). **NOTA:** Ver, *Instrucciones para la Instalación por debajo del nivel de la piscina, en la página 12*. Si el interruptor de presión está a un pie (.3M) por debajo o por encima del nivel de agua de la piscina, reposicione el interruptor para que se abra cuando la bomba esté apagada y se cierre cuando la bomba esté funcionando. Gire la rueda en forma de estrella del interruptor en sentido de las agujas de reloj (↻) para aumentar el nivel (el calentador por debajo de la piscina) y en sentido contrario a las agujas del reloj (↺) para disminuir el nivel (el calentador por debajo de la piscina – ver **Figura 29**). Pruebe el interruptor después de reposicionar.

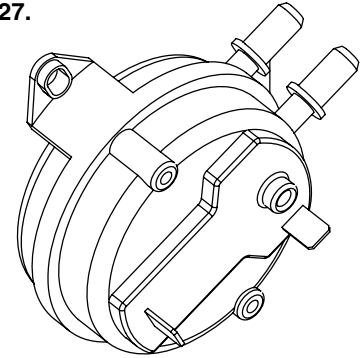
**AVISO:** Cuando el calentador está montado a más de cinco pies (1.5M) por encima o a cuatro pies (1.2M) por debajo del nivel de cubierta, no se recomienda utilizar un interruptor de presión. En su lugar deberá instalarse un interruptor de flujo.

**AVISO:** Hacer funcionar el calentador con un interruptor de presión fijado incorrectamente puede provocar que funcione sin presión de agua. Si el calentador funciona sin el flujo de agua adecuado puede dañarse severamente.

### LIMITES ALTOS

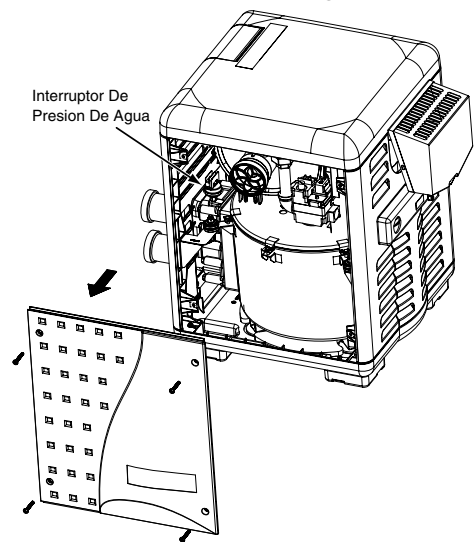
Un "Límite Alto", es un dispositivo de seguridad que abre el circuito eléctrico y desconecta el calentador basado en una temperatura de agua fijada dentro del "Dispositivo de Límite Alto". Las series de calentadores MasterTemp contienen dos (2) dispositivos de control de límite alto, los cuales se encuentran en el cabezal de ingreso/salida principal.

Figura 27.

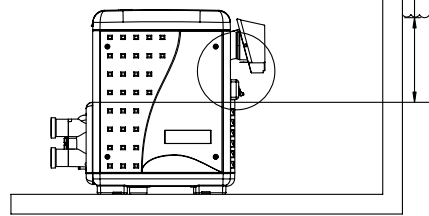


Interruptor de Flujo de Aire

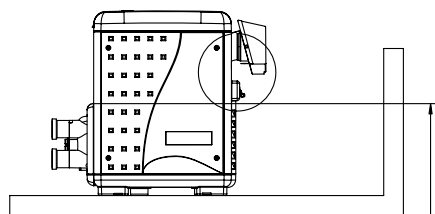
Figura 28.



Gire la rueda en forma de estrella en **sentido de las agujas del reloj** para aumentar la presión establecida si el interruptor de presión está a más de 4 pies (1.2M) por debajo del nivel de agua.



Detrás del interruptor de presión se encuentra una escala de referencia.



Gire la rueda en forma de estrella en **sentido contrario a las agujas del reloj** para disminuir la presión establecida si el interruptor de presión está a más de 5 pies (1.5M) por encima del nivel de agua.

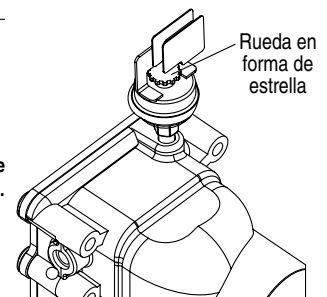


Figura 29.



## CONTROLES DE SEGURIDAD (continuación)

### FUNCIONAMIENTO DEL MODULO DE ENCENDIDO

El Módulo de Encendido (ver **Figura 30**) es un microprocesador que opera a 24VAC los cuales son suministrados por el transformador. El control utiliza un microprocesador para continuamente monitorear, analizar y controlar las operaciones apropiadas del portallamas de gas. El módulo cuenta con un sensor de flama, el cual utilizando rectificación de flama, permite que el calentador funcione.

### FUNCIONAMIENTO DEL PANEL DE CONTROL

Los 5 interruptores de funcionamiento son:

- POOL ON** Presione este botón para indicar el funcionamiento del calentador mediante la fijación de la temperatura de la piscina.
- SPA ON** Presione este botón para indicar el funcionamiento del calentador mediante la fijación de la temperatura del spa.
- HEATER OFF** Presione este botón para apagar el calentador.
- ▲ TEMP** Presione este botón para aumentar la temperatura fijada.
- ▼ TEMP** Presione este botón para disminuir la temperatura fijada.

Para cambiar el visualizador entre los grados centígrados (°C) y los grados Fahrenheit (°F):

1. APAGUE el control de funcionamiento.
2. Presione **▲ TEMP** o **▼ TEMP** por 5 segundos. El visualizador brillará una vez y cambiará de modo (°C a °F o viceversa).
3. ENCIENDA el control de funcionamiento.

Una vez que presione los botones **▲ TEMP (TEMPERATURA)** o **▼ TEMP** el visualizador digital indicará la fijación de la temperatura. Después de 5 segundos el visualizador regresará a la temperatura actual de la piscina/spa.

Además del visualizador de temperatura digital, hay cinco luces indicadoras:

La luz de **POOL ON (PISCINA ENCENDIDA)** indica que la temperatura del agua de la piscina está bajo la operación del calentador.

La luz de **SPA ON (SPA ENCENDIDA)** indica que la temperatura del agua del spa está bajo la operación del calentador.

La luz de la **HEATING (CALEFACCIÓN)** se enciende y permanece encendida cuando el quemador está quemando. Esta luz debe estar encendida cuando el quemador esté encendido. Parpadea cuando el calentador quiere calentarse pero no enciende. Si esta luz se enciende pero el quemador no se enciende, una de las luces de "servicio" deberá encenderse, indicando un fallo en el sistema.

La luz del **SERVICE SYSTEM (BRINDAR SERVICIO AL SISTEMA)** indica que hay un flujo insuficiente de agua hacia el calentador. Si la bomba esta funcionando, por lo general indica que el filtro y/o succionador deben limpiarse (algunos filtros necesitarán que se laven nuevamente). Si la luz permanece encendida después de que el filtro/succionador haya recibido mantenimiento, el sistema deberá ser revisado por un técnico de servicio calificado.

La luz de **SERVICE HEATER (BRINDAR SERVICIO AL CALENTADOR)** indica una falla en el calentador o en sus controles. Si esta luz se enciende, apague el calentador (Ver "PARA APAGAR EL GAS DEL ARTEFACTO" en la **página 33**) y haga que un técnico de servicio calificado revise el sistema.

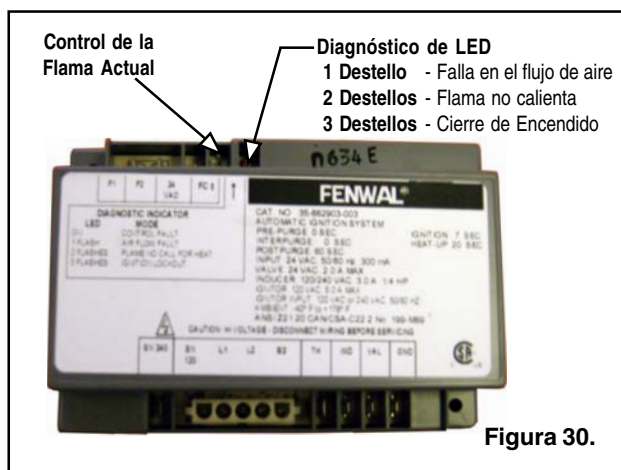


Figura 30.

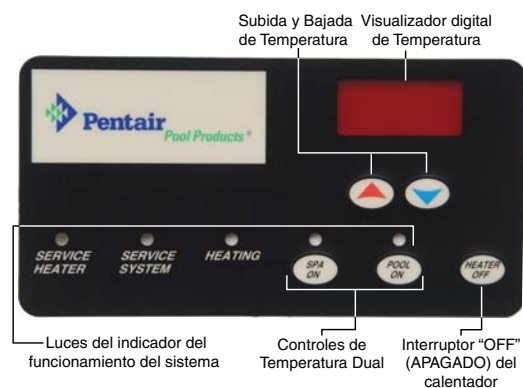


Figura 31.

## ⚠ ADVERTENCIA

**Riesgo de explosión o fuego que puede causar quemaduras o la muerte si los bloqueos de seguridad se encuentran deshabilitados. NO** intente operar el calentador cuando la luz de SERVICE HEATER esté encendida o si el ventilador o el quemador no encienden. En su lugar, siga las instrucciones de "PARA APAGAR EL GAS DEL ARTEFACTO", y llame a un técnico de servicio calificado para reparar la unidad.



## FIJACION DE LA TEMPERATURA

EL calentador está fijado por la fábrica a 25.56° C para el modo de piscina y 37.78° C para el modo del spa. Utilizando las flechas de hacia arriba y hacia abajo, puede fijar los termostatos a una temperatura mínima de 18.33° C., o aun máximo de 40° C. Si desea calentar solamente una porción del agua, el termostato es capaz de apagar uno de los modos. Como ejemplo, si sólo desea calentar el spa y no la piscina simplemente presione y mantenga presionada la flecha de abajo de la piscina, y el termostato disminuirá su punto a 18.33° C luego vaya al modo de apagado.

## PUNTO MAXIMO DE FIJACION DE TEMPERATURA

1. Desentornille y retire los paneles de la puerta (ver la **Figura 32**).
2. Accese la tarjeta del panel de control en la parte inferior de la tapa superior. Localice el botón amarillo en la esquina de la tarjeta del control.
3. Presione el botón de **Punto Máximo de Fijación de Temperatura** localizado detrás de la tarjeta del control (ver la **Figura 33**).

Las siguientes secuencias deben ocurrir:

- A. La unidad se encenderá y la luz de **POOL ON (PISCINA ENCENDIDA)** se encenderá.
  - B. Presione la tecla **▲ TEMP (TEMPERATURA)** o **▼ TEMP** (en la parte SUPERIOR del panel) para fijar la temperatura máxima de la piscina.
  - C. Espere unos 30 segundos; la luz de **POOL ON (PISCINA ENCENDIDA)** se apagará y la luz de **SPA ON (SPA ENCENDIDA)** se encenderá. Para cancelar el periodo de retraso, presione otra vez el botón de **Punto Máximo de Fijación de Temperatura**.
  - D. Presione el botón **▲ TEMP (TEMPERATURA)** o **▼ TEMP** del panel de control y fije la temperatura máxima a 104° F (40° C) o menos.
  - E. Espere hasta 30 segundos; la luz de **SPA ON (SPA ENCENDIDA)** se apagará y la unidad se apagará. Para cancelar el periodo de retraso, presione otra vez el botón de **Punto Máximo de Fijación de Temperatura**.
4. Vuelva a instalar los paneles de acceso de la puerta.

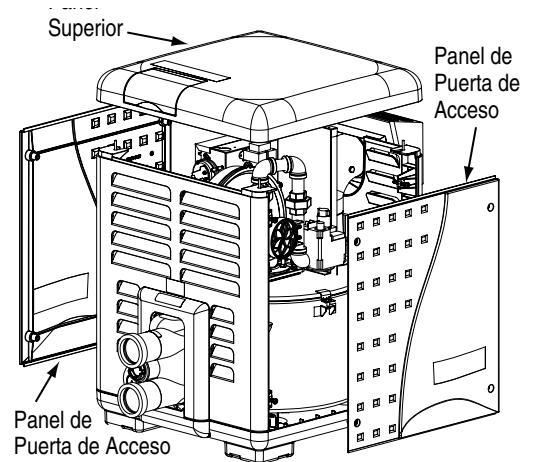


Figura 32.

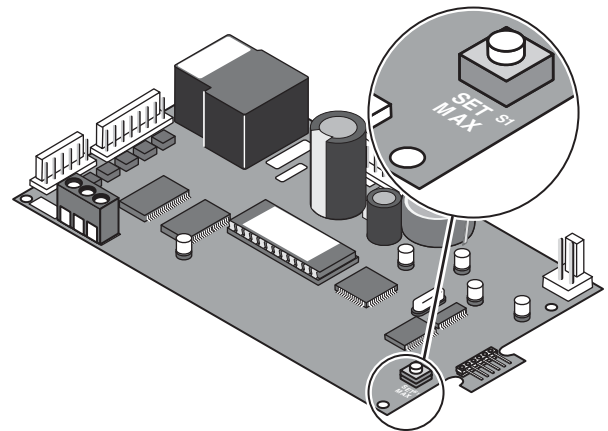


Figura 33.

# Instrucciones para la Localización de Averías

## Localización de Averías Iniciales

Solamente técnicos de servicio calificados y equipados con instrumentos adecuados deben brindar servicio técnico al calentador. Recuerde que todas las partes del sistema afectan el funcionamiento del calentador. Antes de iniciar el siguiente proceso de localización de averías, asegúrese de que la bomba esté funcionando correctamente, que el sistema no esté bloqueado, que las válvulas están correctamente fijadas y que el reloj controlador esté fijado correctamente y esté funcionando.

### ¡IMPORTANTE LEA ESTO PRIMERO!

**AVISO:** Si instala el enchufe negro de 120 voltios en la caja de control y luego conecta el calentador a una línea de 240 voltios, destruirá el transformador, el panel de controles y el módulo de control de encendido, y anulará la garantía. Si instala el enchufe rojo de 240 voltios y luego conecta el calentador a una línea de 120 voltios, el calentador no funcionará.

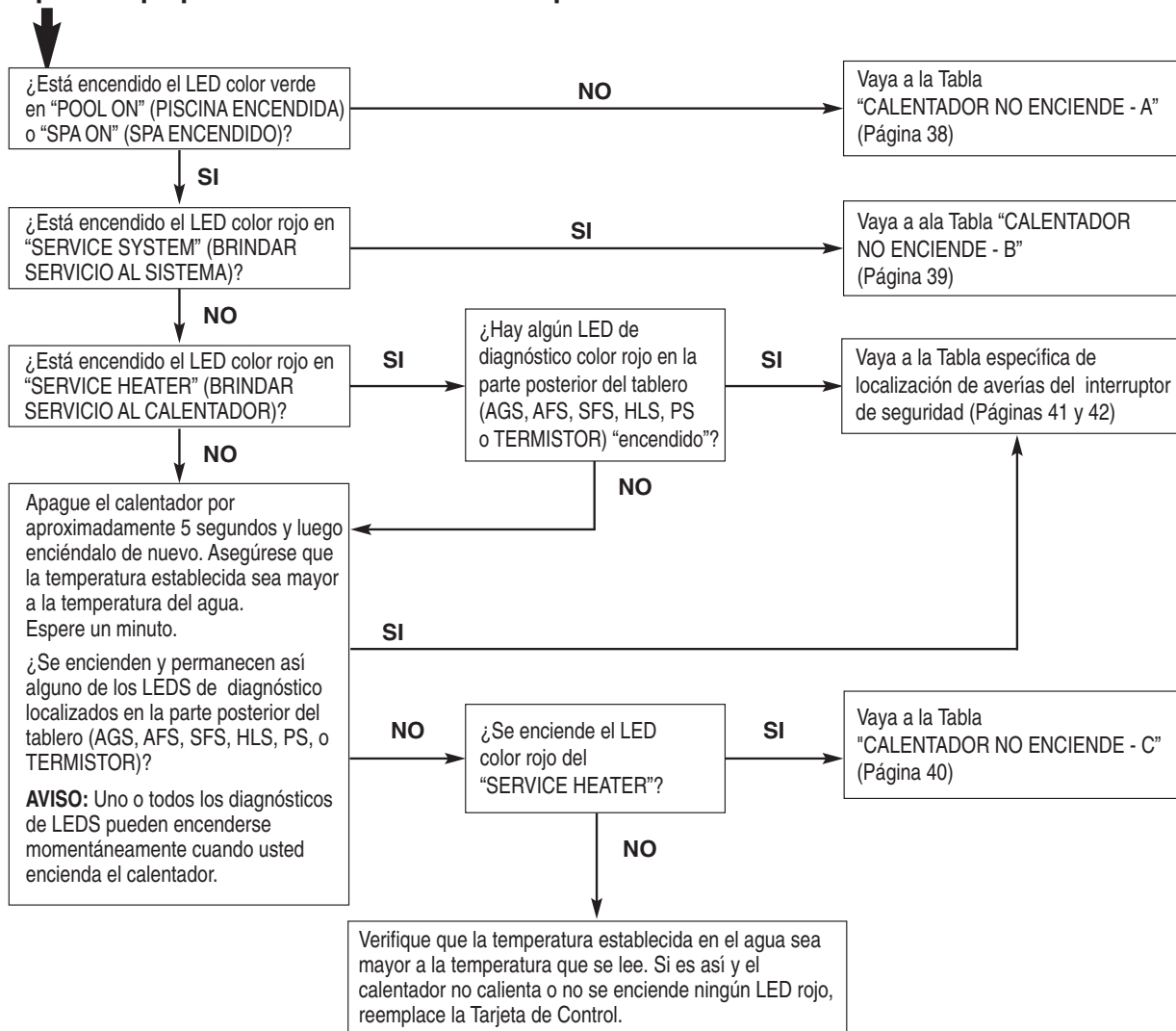
**LEA CUIDADOSAMENTE:**

1. Verifique la línea de voltaje del calentador. El calentador operará ya sea con 120 voltios AC o 240 voltios AC.

2. Retire las cubiertas y verifique el enchufe de 12-pines ubicado detrás de la caja de control. El enchufe debe coincidir con el voltaje del circuito del calentador.

3. Si el enchufe de 12-pines no está enchufado detrás de la caja de control, elija el enchufe correcto que se encuentra en la bolsa de la caja de control y enchúfela. El enchufe **NEGRO** es para 120 voltios, el enchufe **ROJO** es para 240 voltios.

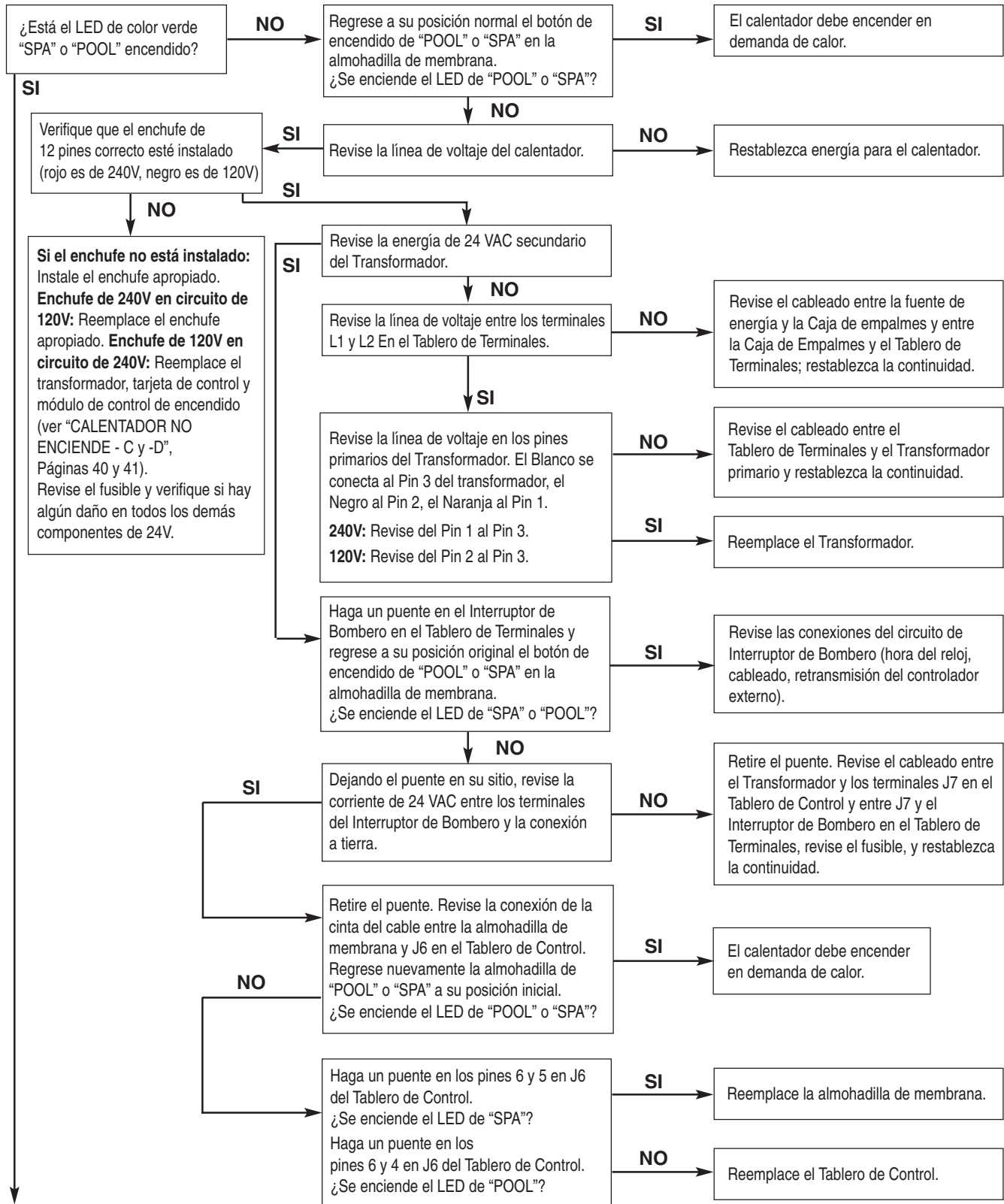
### Empiece aquí para obtener direcciones específicas de la Tabla de Localización de Averías



<p><b>⚠ ADVERTENCIA</b> Voltaje peligroso. Puede ocasionar choque eléctrico, quemadura o muerte. Desconecte la energía antes de hacerle una revisión a cualquiera de los componentes.</p>	<p><b>⚠ ADVERTENCIA</b> Peligro de fuego y explosión. No haga puentes a los terminales del interruptor para reparar un interruptor de seguridad con fallas.</p>
---	---

# El Calentador No Enciende - A

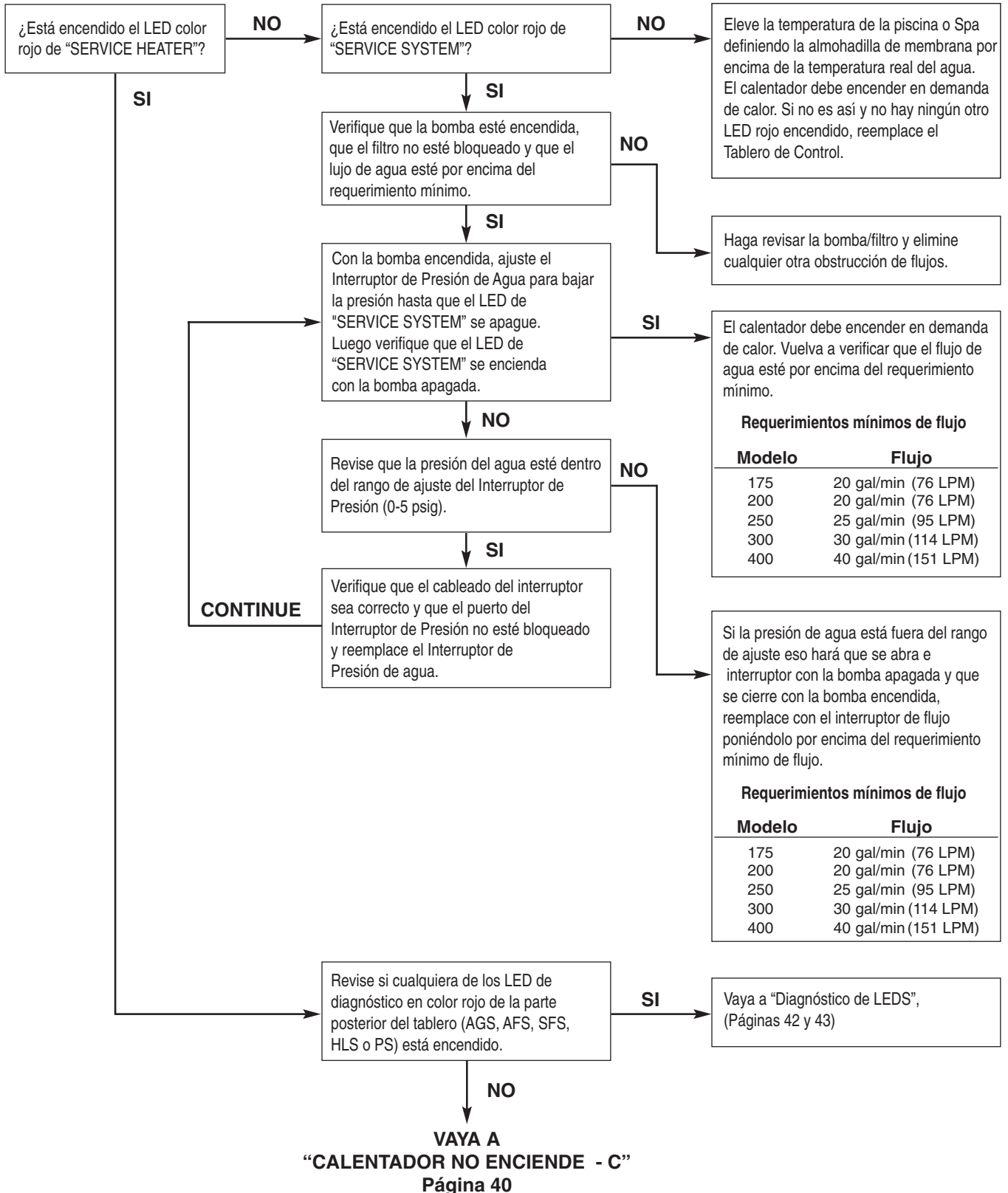
## Inicio



**VAYA A**  
**"CALENTADOR NO ENCIENDE - B"**  
**Página 39**

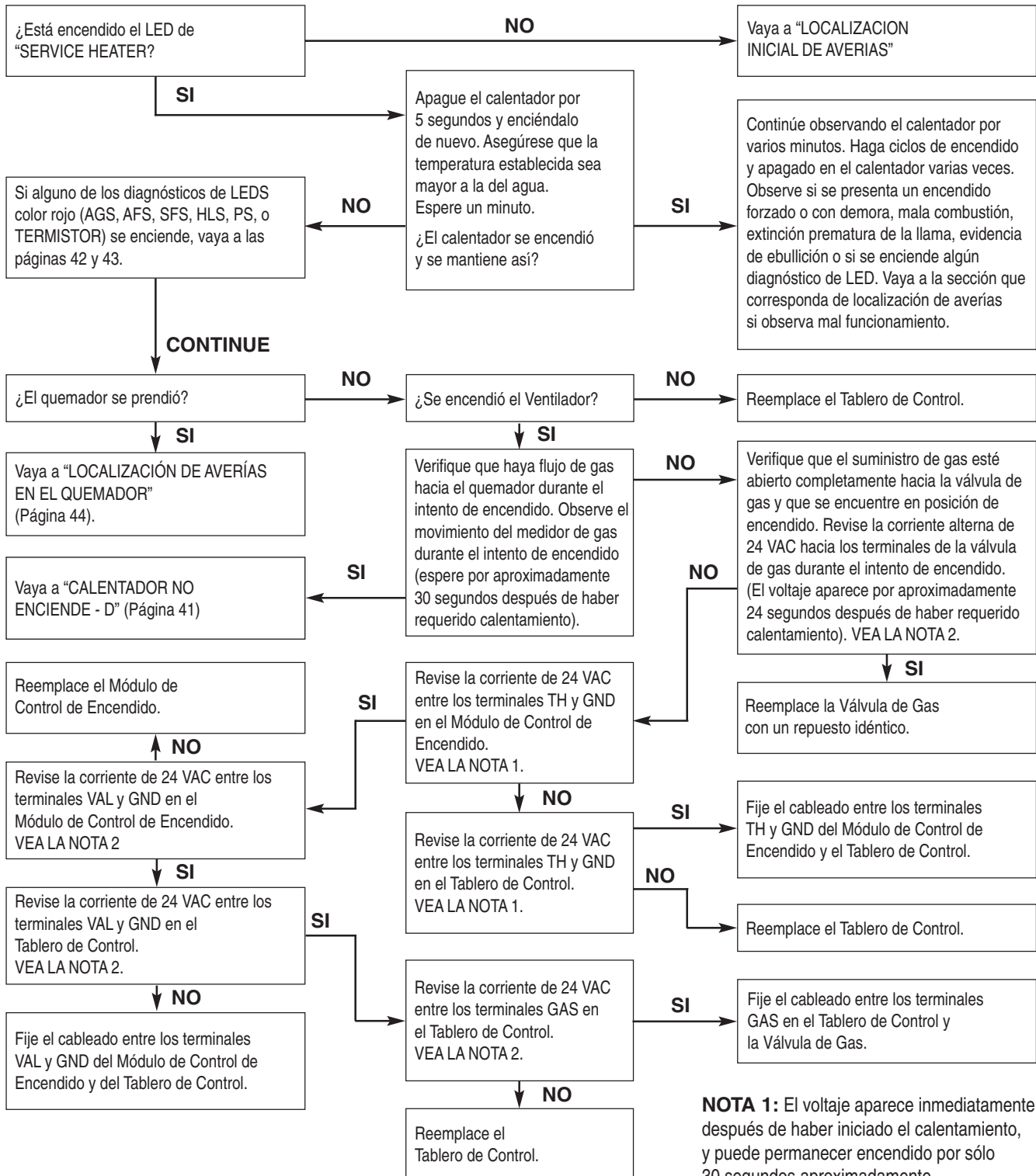
# El Calentador No Enciende - B

## Inicio



# El Calentador No Enciende – C

## Inicio



**NOTA 1:** El voltaje aparece inmediatamente después de haber iniciado el calentamiento, y puede permanecer encendido por sólo 30 segundos aproximadamente.

**NOTA 2:** El voltaje aparece por aproximadamente 24 segundos después de haber iniciado el calentamiento, y puede permanecer encendido por sólo 7 segundos aproximadamente.

## El Calentador No Enciende - D

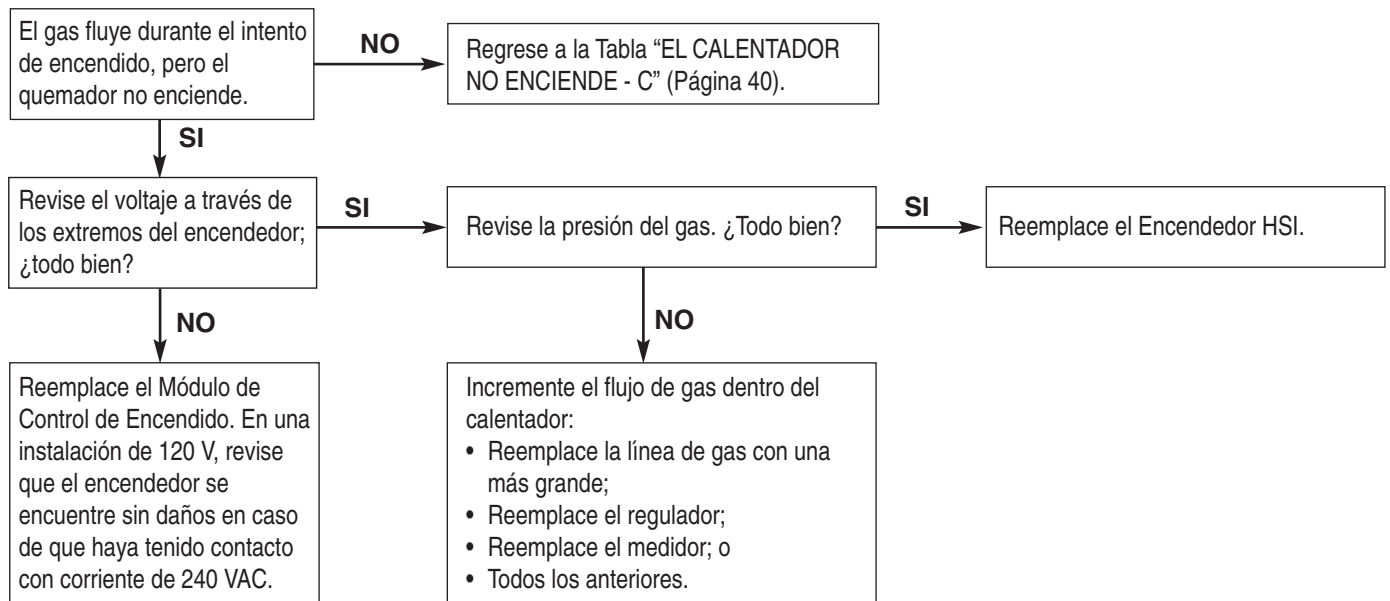
### ¡IMPORTANTE! ¡LEEME PRIMERO!

#### ¡IMPORTANTE! ¡LÉEME PRIMERO!

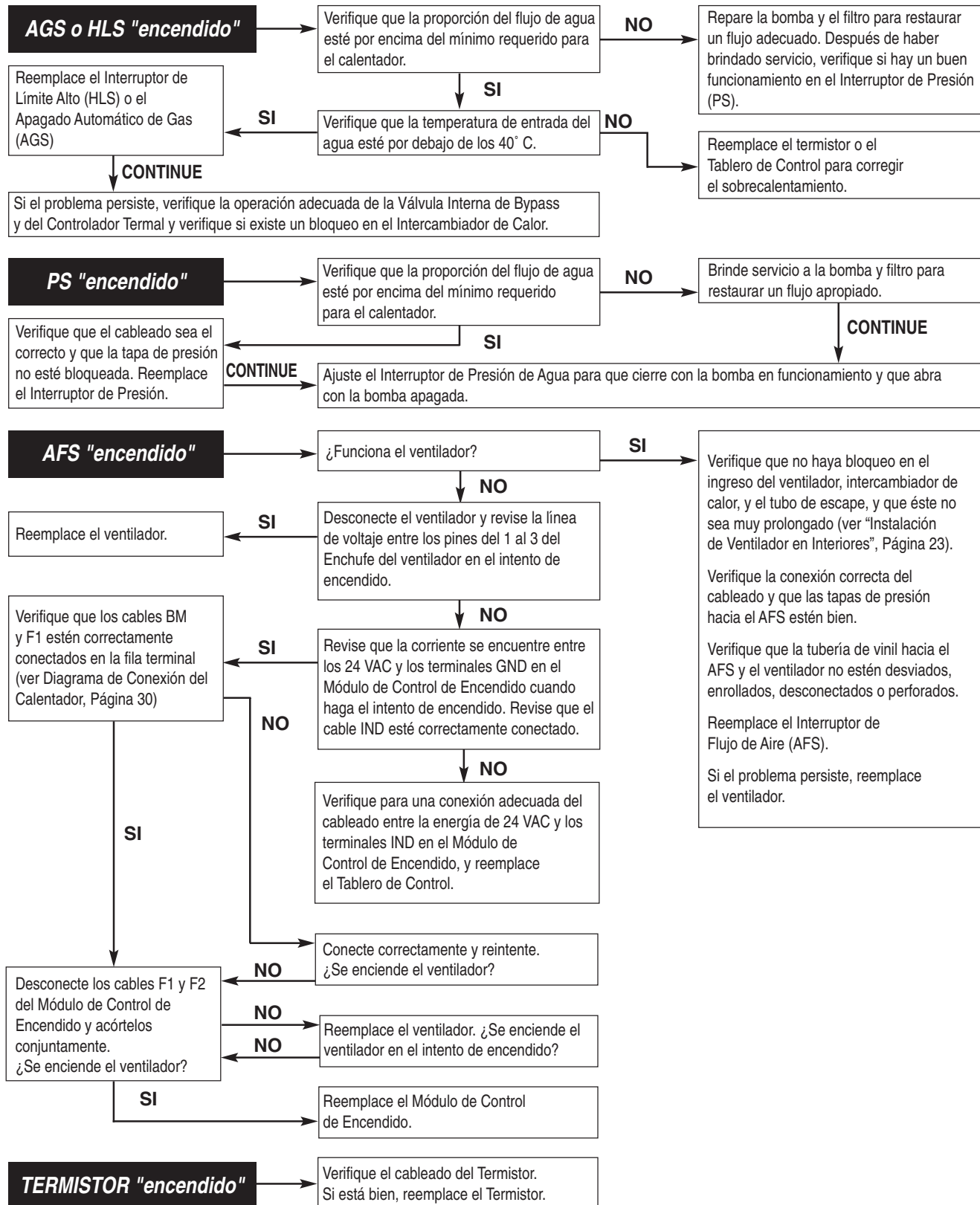
Si su calentador se encuentra conectado correctamente a una energía de **240 Voltios AC**, el Módulo de Control de Encendido (ICM) convertirá la energía de 240VAC en un pulso intermitente hacia el encendedor. Los medidores digitales no leen este tipo de señal óptimamente.

(Un medidor análogo le dará una mejor lectura que un medidor digital). Si el ICM está malo, su voltímetro leerá ya sea 0 VAC o 240 VAC. Si su ICM está bueno, su medidor leerá algún voltaje entre los 0 y los 240 VAC. La lectura exacta dependerá del medidor, pero con un ICM bueno, la lectura no será ni de 0 VAC ni de 240 VAC, sino alguna otra cifra entre estos dos valores.

### Inicio



## DIAGNOSTICO DE LEDS: AGS, AFS, HLS, PS, TERMISTOR

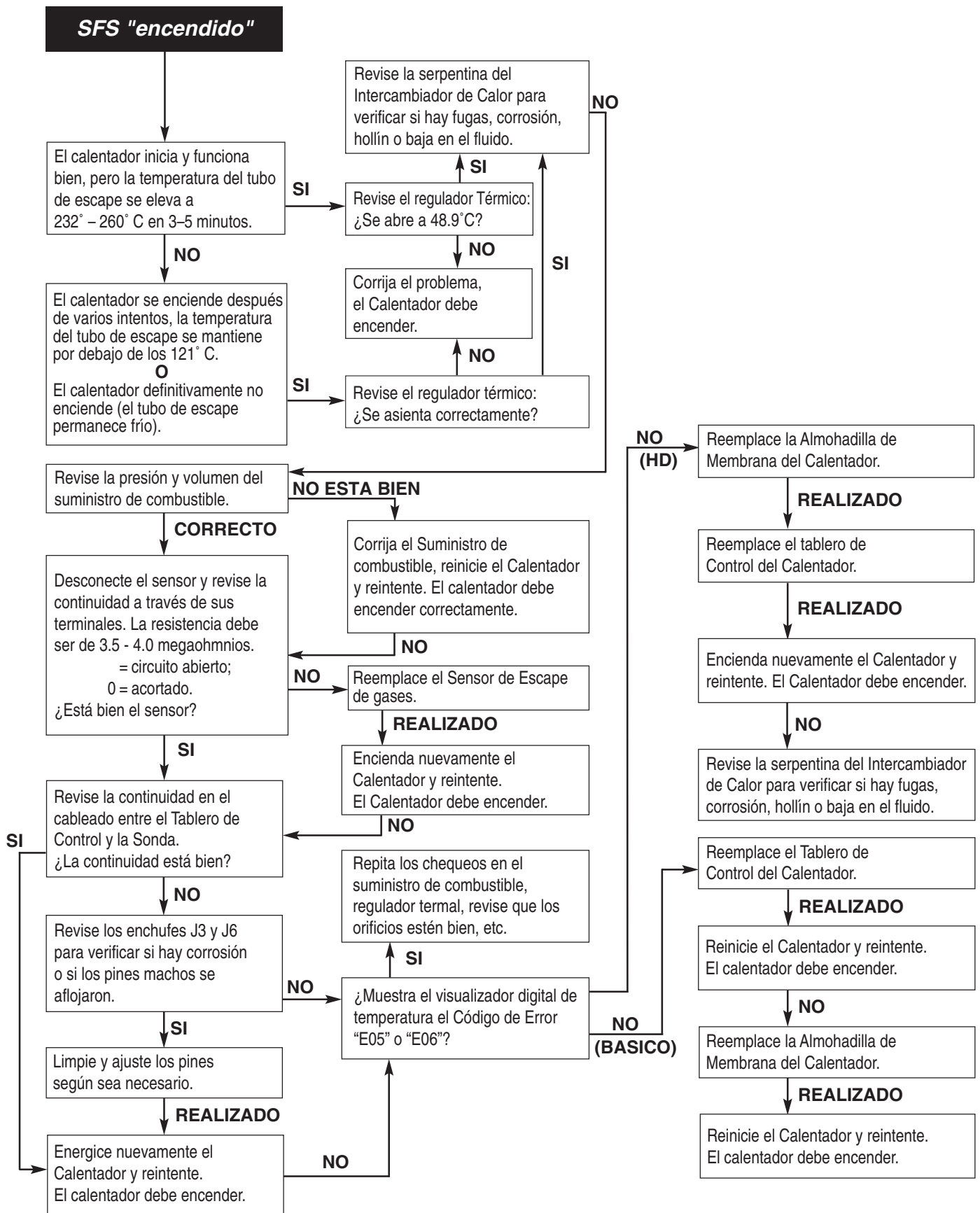


**⚠ PRECAUCION** No haga puente con un interruptor de seguridad para reparar un interruptor con fallas.

**NOTA:** ES1 es un repuesto y debe hacerse un puente.



# LEDs DE DIAGNOSTICO: SFS



## Localización de Averías en el Quemador

SÍNTOMA	CAUSA	REMEDIO
Chirrido alto y agudo.	La llama es muy viva.	Verifique la tapa de presión entre la válvula del gas y la entrada del ventilador. Vea la página 15 y verifique que el regulador de gas esté fijado en $-0.2''$ ( $-0.5\text{cm}$ ) wc. Contacte un técnico calificado o agencia de servicio para reemplazar el orificio del gas.
La llama "revolotea. El tubo de escape huele a acre el quemador no permanece encendido.	La llama es muy delgada.	Vea la página 15 y verifique que el regulador de gas esté fijado en $-0.2''$ ( $-0.5\text{cm}$ ) wc. Contacte un técnico calificado o agencia de servicio para reemplazar el orificio del gas.
El quemador vibra y/o se eleva, especialmente en el encendido.	La ventilación del tubo de escape es muy grande.	Reduzca el tamaño de la ventilación del tubo de escape y el número de codos.
La combustión parece normal pero la llama no se queda encendida.	La corriente de la llama no se está siendo percibida.	Verifique si el encendedor está húmedo o dañado con baja resistencia a tierra. Reemplácelo con un nuevo encendedor. Verifique que el portallamas esté bien conectado a tierra. Reemplace el Módulo de Control de Encendido.

## Localización de Averías con el Intercambiador de Calor

SÍNTOMA	CAUSA	REMEDIO
Ebullición en el intercambiador de calor.  Puede estar acompañado ruidos de "sacudida".	Bajo flujo de agua al calentador.  Intercambiador de calor conectado.  Válvula bypass abierta.  Controlador termal se quedó cerrado.	Brinde servicio a la bomba o filtro.  Brinde servicio al Intercambiador de calor. Corrija la química del agua.  Brinde servicio a la válvula bypass.  Reemplace el controlador termal.
Sudoración.	Falla en el controlador termal.	Reemplace el controlador termal.

# Instrucciones de Mantenimiento

## CUIDADO Y MANTENIMIENTO

### ⚠️ ADVERTENCIA

**Riesgo de fuego o explosión por vapores inflamables.** No almacene gasolina, líquidos para limpieza, barnices, pinturas u otros líquidos volátiles inflamables cerca del calentador o en la misma sala donde este se encuentra.

Se recomienda el siguiente mantenimiento cada seis meses y al inicio de cada temporada de nado:

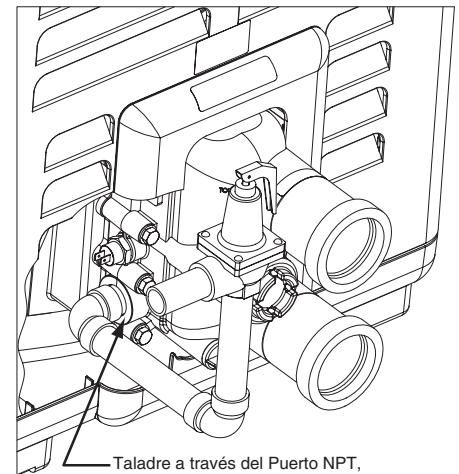
1. Inspeccione los paneles del calentador y del sistema de ventilación para asegurarse que no hay obstrucciones en el flujo de aire de ventilación o en el escape del quemador. Revise que las entradas de aire de la habitación estén despejadas y libres de obstrucción.
2. Mantenga el área donde se encuentra el calentador y las áreas alrededor de esta, despejadas y libres de materiales inflamables, gasolina u otros vapores inflamables y líquidos corrosivos.
3. Pruebe el funcionamiento de la válvula de salida de presión levantando el nivelador de válvula.
4. Pruebe la operación correcta del interruptor de presión. (Ver "INTERRUPTOR DE PRESION DE AGUA" para obtener instrucciones de evaluación).
5. En instalaciones cerradas con sistemas de ventilación especial de gas con alta temperatura, repita el "Chequeo final de instalación", [página 27](#). Revise si hay evidencia de fuga en las conexiones. Asegúrese que las conexiones no se hayan resbalado parcial o completamente fuera de su sitio. Revise la tubería y los ajustes para comprobar si existen rajaduras o rupturas. El ventilador de combustión de aire está permanentemente lubricado y no requiere lubricación periódica. El quemador no requiere mantenimiento o ajuste por el usuario. Llame a un técnico de servicio calificado si sospecha que el quemador pudiera necesitar mantenimiento.

## VALVULA DE LIBERACION DE PRESION

Los reglamentos canadienses y algunos reglamentos estadounidenses locales pueden requerir la instalación de una válvula de liberación de presión (PRV). Compre una separadamente e instale la válvula de liberación de presión de 3/4" cumpliendo con el Código ANSI/ASME para Calderas y Recipientes, que tenga una capacidad igual a la capacidad Btu/hr del calentador. La liberación de presión de la válvula **NO DEBE EXCEDER** los 50 PSI.

Esta válvula debe ser instalada en forma vertical. Para instalar la válvula, utilice un niple de 3/4" x 2" de bronce en el colector, los dos codos de bronce y los nipples son (suministrados por el usuario), como se muestra en la [Figura 34](#). Ninguna válvula debe ser colocada entre el adaptador del colector y la válvula de liberación.

Para prevenir daños o quemaduras por la operación de la válvula de liberación, instale una tubería de drenaje a la salida de la válvula de liberación de presión que dirigirá el agua que se vaya descargando de la válvula hacia un lugar seguro. No instale ninguna unión de reducción o válvulas en la tubería de drenaje. La tubería de drenaje debe ser instalada para permitir un drenaje completo de la válvula y de la línea de desagüe. **La válvula de liberación debe ser probada por lo menos una vez al año, levantando el nivelador de la válvula.**



Taladre a través del Puerto NPT, luego use un Niple Metálico y un Codo de 3/4" (suministrado por el usuario) para la instalación de un PRV.

**Figura 34.**

### ⚠️ ADVERTENCIA

**Peligro de explosión.** Cualquier calentador instalado con aparatos restrictivos en el sistema de tubería desde el calentador (incluyendo válvulas de retención, válvulas de aislamiento, boquillas de flujo o válvulas de piscinas terapéuticas), deben tener una válvula de liberación instalada, tal como se describe anteriormente.

## DESPUES DEL ENCENDIDO

### REVISANDO EL FLUJO DE AGUA

#### ADVERTENCIA

**Peligro de fuego o inundación.** Si la unidad se recalienta y el quemador no se apaga, siga las instrucciones indicadas en "Para cerrar el Gas en el Artefacto", [página 33](#), y llame a un técnico de servicio calificado para reparar la unidad.

Después del encendido, la tubería de salida de agua debe sentirse ligeramente más tibia que en la tubería de entrada. Si se siente caliente, o si oye que el agua está hirviendo en el calentador, puede que no haya suficiente flujo de agua hacia el equipo. Asegúrese que el filtro no esté conectado. Si la temperatura del agua sigue alta pero la unidad sigue funcionando, apague el equipo y llame a su técnico de servicio.

### OPERACION DURANTE PRIMAVERA Y OTONO

Si la piscina sólo es usada ocasionalmente, baje el termostato de la piscina a 68° F (20° C) y deje encendido el calentador. Esto mantendrá la piscina y el terreno adyacente lo suficientemente cálido para que el calentador pueda restaurar la piscina a una temperatura agradable en aproximadamente un día.

### OPERACION DURANTE INVIERNO

#### PRECAUCION

- El funcionamiento continuo de este calentador con el agua a una temperatura por debajo de los 68° F (20° C) causará una condensación perjudicial y dañará el calentador y anulará la garantía.
- Si el calentador ha sido drenado después de haber estado congelado, NO LO ENCIENDA hasta que el sistema esté circulando agua.
- Agua atrapada en el intercambiador de calor puede resultar en daño de congelamiento en el intercambiador o sus cabezales. El daño por congelamiento no está cubierto específicamente por la garantía.
- Cuando inicie el calentador para la temporada de nado con una temperatura menor a los 50° F (10° C), el calentador puede ser usado para calentar el agua; sin embargo, asegúrese que el calentador funcione continuamente hasta que la temperatura del agua alcance la temperatura mínima de 68° F (20° C). En climas fríos, si no existe peligro de congelación, opere la bomba de filtro continuamente aun cuando el calentador no esté en funcionamiento. Si se espera que la temperatura del aire baje hasta el nivel de congelamiento (32° F/0° C), apague el calentador y póngalo en modo de invierno.

Para calentadores en el exterior en climas de congelamiento, apague el calentador y drénelo para el invierno según las siguientes indicaciones:

1. Apague el suministro eléctrico hacia el calentador y la bomba.
2. Cierre la válvula principal de control de gas y la válvula manual de gas (ubicada en la parte externa del calentador). Ponga el interruptor de la válvula de gas del calentador en posición OFF - APAGADO.
3. En los climas del norte en donde podría ser requerido, abra la válvula de drenaje ubicada en la parte inferior del adaptador del colector, y drene completamente el intercambiador de calor y el adaptador del colector. Si el calentador se encuentra por debajo del nivel del agua de la piscina, asegúrese de cerrar las válvulas de aislamiento para prevenir que se drene la piscina (las válvulas de aislamiento no son requeridas ni deben ser usadas en calentadores instalados por encima del nivel del agua de la piscina excepto cuando es necesario para colocar válvulas de invierno). Ayude con el drenaje echando aire al intercambiador de calor a través del acople del interruptor de presión con aire comprimido de baja presión (menos de 5 PSI o 35 kPa).

#### ADVERTENCIA

**Peligro de explosión.** Purgar el sistema con aire comprimido puede causar la explosión de los componentes, con riesgo de daños severos o muerte a cualquiera que se encuentre cerca del área. Use solamente presión baja (menos de 5 PSI o 35 kPa), y un alto volumen de sople cuando purgue con aire el calentador, la bomba, el filtro o las tuberías.

4. Remueva el interruptor de Presión de Agua. Enchufe el puerto en el colector para prevenir que entren insectos y suciedad en el colector.
5. Drene el la entrada y salida del colector a través de la tubería de salida. Si la tubería no drene naturalmente hacia la piscina, instale una válvula de drenaje en la tubería de salida para drenar el colector.
6. Cubra la rejilla de la entrada de aire con una bolsa plástica para prevenir que entren insectos, hojas, etc. en el calentador.

**NOTA:** El agua atrapada en el calentador puede causar daños por congelamiento. Si deja que el calentador se congele, se anulará la garantía.

Para volver a poner el calentador en servicio después del tiempo de invierno:

1. Cierre la válvula de drenaje y los acoples.
2. Antes de encender el calentador, circule agua a través del calentador por varios minutos hasta que todos los ruidos de aire se detengan. Ver también "ANTES DEL ENCENDIDO" ([página 32](#)) y "CUIDADO Y MANTENIMIENTO" ([página 45](#)).

(Ver notas adicionales en la sección *Notas Importantes en la Introducción*).

## **MANTENIENDO LA TEMPERATURA DE LA PISCINA**

Para mantener la temperatura de la piscina asegúrese que el interruptor del calentador y las válvulas estén nuevamente con los ajustes de la piscina después de usar el spa.

### **CONSEJOS PARA AHORRO DE ENERGIA**

1. Mantenga la piscina o el spa cubiertos cuando no estén en uso. Esto reducirá los gastos de calentamiento, evaporación de agua, conserva químicos y reduce el trabajo del sistema de filtración.
2. Baje el termostato de la piscina a 78° F (25° C) o menos, baje la temperatura del spa a 100° F (38° C). Esta temperatura es considerada la mas sana para nadar por la Cruz Roja Americana.
3. Use reloj sincronizador para encender la bomba del filtro a las 6 a.m. o después. La piscina pierde menos calor después del amanecer.
4. Para las piscinas usadas solamente los fines de semana baje el termostato entre 10° F a 15° F (5° C a 8° C) durante la semana para reducir la pérdida de calor. Un calentador del tamaño apropiado para la piscina restaurará la temperatura normal dentro de un día.
5. Apague el calentador cuando la piscina no vaya ser usada durante un periodo extendido.
6. Siga un programa regular preventivo de mantenimiento para el calentador cada nueva temporada de natación. Revise la operación de calentador y sus controles.

## **BALANCE QUIMICO**

### **AGUA DE PISCINA Y SPA**

Su calentador Pentair fue diseñado específicamente para su piscina o spa y le dará muchos años de servicio sin problemas mientras mantenga la química de su agua en condiciones apropiadas.

La química del agua debe seguir las buenas prácticas de la química del agua de piscina. Cuando use un clorinador instálelo corriente abajo del calentador y a un nivel más bajo que la salida del calentador. Instale una "Válvula de Retención" de sello positivo resistente a la corrosión, (P/N R172288), entre el calentador y el clorinador para prevenir el reflujo de químicos concentrados en el calentador. Es más probable que el reflujo ocurra cuando la bomba se detiene, creando un diferencial en la presión de succión. NO desinfecte la piscina colocando tabletas o barras de cloro en el skimmer. Cuando la bomba está apagada, esto causará que una alta concentración de cloro entre al calentador, lo cual causará daño de corrosión al intercambiador del calentador.

Los tres principales productos que podrían causar problemas a su calentador son: pH inapropiado, residuo de desinfectante, y alcalinidad total. Si estos productos no se mantienen apropiadamente balanceados podrían reducir la calidad de funcionamiento de su calentador y causar daño permanente.

### **⚠PRECAUCION**

**Un Intercambiador de Calentador dañado como resultando de un desequilibrio químico no está cubierto por la garantía.**

### **LO QUE HACE UN DESINFECTANTE**

Las algas y las bacterias son cosas que no deseas en tu piscina. Para deshacerte de ellas y volver el agua de la piscina saludable para nadar - así como para también mejorar el sabor, olor y la claridad del agua - se debe usar algún tipo de desinfectante.

Bromo y cloro son universalmente aprobados por las autoridades de salud y son desinfectantes aceptados para el control de las bacterias.

### **¿QUE ES UN RESIDUO DE DESINFECTANTE?**

Cuando usted agrega cloro o bromo al agua de la piscina, una porción del desinfectante será consumido en el proceso para destruir las bacterias, algas y otros materiales oxidables. El desinfectante que permanece se llama cloro residual o bromo residual. Usted puede determinar el residuo de desinfectante del agua de su piscina con un kit de prueba confiable disponible en su tienda local de piscinas.

Usted debe mantener un nivel residual de desinfectante lo suficientemente adecuado para matar continuamente las bacterias o virus introducidos en el agua de la piscina por los nadadores, el aire, el polvo, la lluvia y otras fuentes.

## BALANCE QUIMICO, (CONTINUACIÓN)

Es sabio probar el agua de la piscina regularmente. Nunca permita que el residuo de cloro baje a menos de 0.6 ppm (partes por millón). El nivel efectivo mínimo para residuo de cloro o bromo es 1.4 ppm.

**pH** – El termino pH se refiere al equilibrio de acido/alcalino en el agua expresado en una escala numérica de 0 a 14. Un kit de prueba para medir el balance del pH en su piscina está disponible en su tienda local de piscinas, ver [Tabla 12](#).

El acido muriático tiene un pH de aproximadamente 0. Agua pura es 7 (neutral). La solución de lejía suave tiene un pH de 13-14.

**REGLA:** 7.4 a 7.6 es un rango deseable de pH. Es esencial mantener el pH correcto, ver [Tabla 12](#).

### Si el pH se pone muy alto (muy alcalino), tiene estos efectos:

1. Disminuye la habilidad del cloro para destruir algas y bacterias.
2. El agua se pone nublosa.
3. Hay mas peligro de que se forme costra en el yeso o en la tubería del intercambiador del calentador.
4. Los elementos del filtro se podrían tapar.

### Si el pH se pone muy bajo (muy ácido) las siguientes condiciones podrían ocurrir:

1. Quemadura de ojos e irritación de la piel.
2. Grabado del yeso.
3. Corrosión de metales en el sistema de filtración y recirculación que podrían causar manchas verdes, marrones, azules y en ocasiones casi negras en el yeso.
4. Corrosión de las tuberías de cobre en el calentador que podrían causar filtraciones.
5. Si tiene un filtro de arena y gravilla, el alambre utilizado como auxiliar para el filtro podría disolverse y pasar por el filtro.

**PRECAUCION:** No haga pruebas para pH cuando el residuo de cloro es de 3.0 ppm o más y cuando el residuo de bromo sea de 6.0 ppm o más. Consulte su tienda local de piscinas para balancear apropiadamente la química de su agua.

**REGLA:** Químicos ácidos bajan el pH. Químicos alcalinos suben el pH.

### ALCALINIDAD Alta o Baja:

"Alcalinidad Total" es una medida de la cantidad de químicos alcalinos que se encuentran en el agua, y que controla el pH. (No es lo mismo que el pH que se refiere solamente al equilibrio relativo con alcalino/acido). La alcalinidad total del agua en su piscina debe ser de 100 - 140 ppm para permitir un control más fácil del pH.

Una prueba de alcalinidad total es fácil de tomar con un kit de prueba confiable. Necesitará examinar el agua una vez a la semana y hacer los ajustes apropiados hasta que la alcalinidad esté en el rango debido. Después examine una vez al mes para estar seguro que se mantiene. Consulte con su vendedor de piscinas local para que le ayude a equilibrar adecuadamente la química de su agua.

### PARAMETROS QUIMICOS DEL AGUA

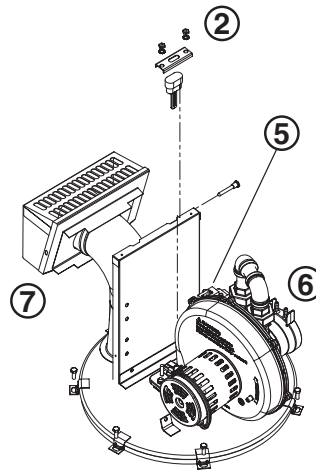
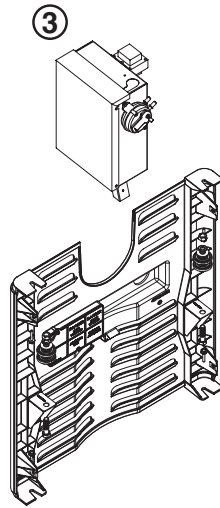
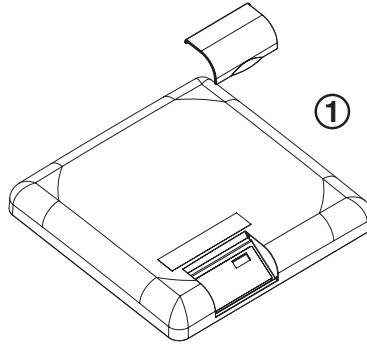
Tabla 12.

Niveles de desinfectantes	Mínimo	Ideal	Máximo
Cloro libre, ppm	1.0	2.0-4.0	10.0
Cloro combinado, ppm	Ninguno	Ninguno	0.2
Bromo, ppm	2.0	4-6	10.0
Otros Desinfectantes	Niveles no establecidos. Consulte con su departamento de salud local antes de su uso.		
<b>Valores químicos</b>			
pH	7.2	7.4-7.6	7.8
Alcalinidad Total (Tope), ppm	60	80-100	180
Como CaCO <sub>3</sub>			
Total de sólidos disueltos, ppm	N/A	N/A	1,500 ppm > TDS en el encendido*
Dureza del calcio, ppm, como CaCO <sub>3</sub>	150	200-400	500-1,000
Metales pesados	Ninguno	Ninguno	Ninguno
<b>Valores Biológicos</b>			
Algas	Ninguno	Ninguno	Ninguno
Bacteria	Ninguno	Ninguno	Vea sus reglamentos locales

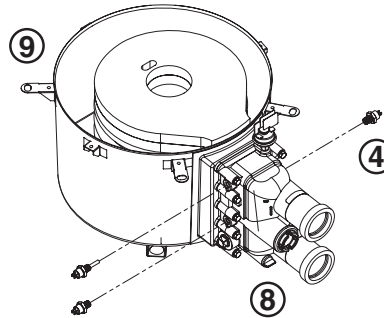
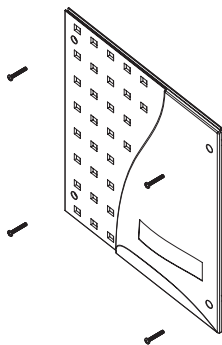
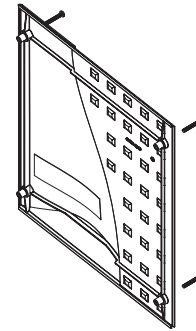
**NOTA:** Si no cumple con los parámetros de la química del agua listados, podría haber falla prematura del intercambiador del calentador y anulará la garantía. \*Inicio TDS incluye fuente de agua TDS y cualquier sal inorgánica añadida al inicio.

## PIEZAS DE REPUESTO PARA MASTERTEMP

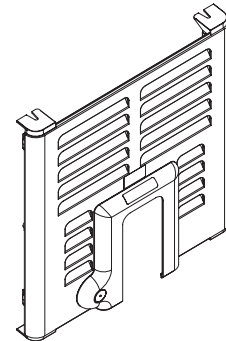
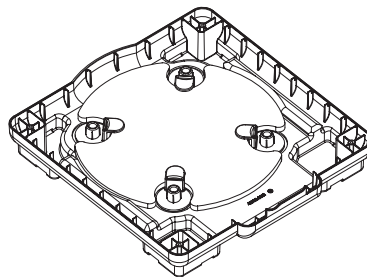
Para una lista detallada de las Piezas del Sistema Eléctrico (Números del 1 al 4), ver página 53.



Para una lista detallada de las Piezas del Sistema del Quemador (Números del 5 al 7), ver página 51.



Para una lista detallada de las Piezas del Sistema de Agua (Números del 8 al 9), ver página 52.



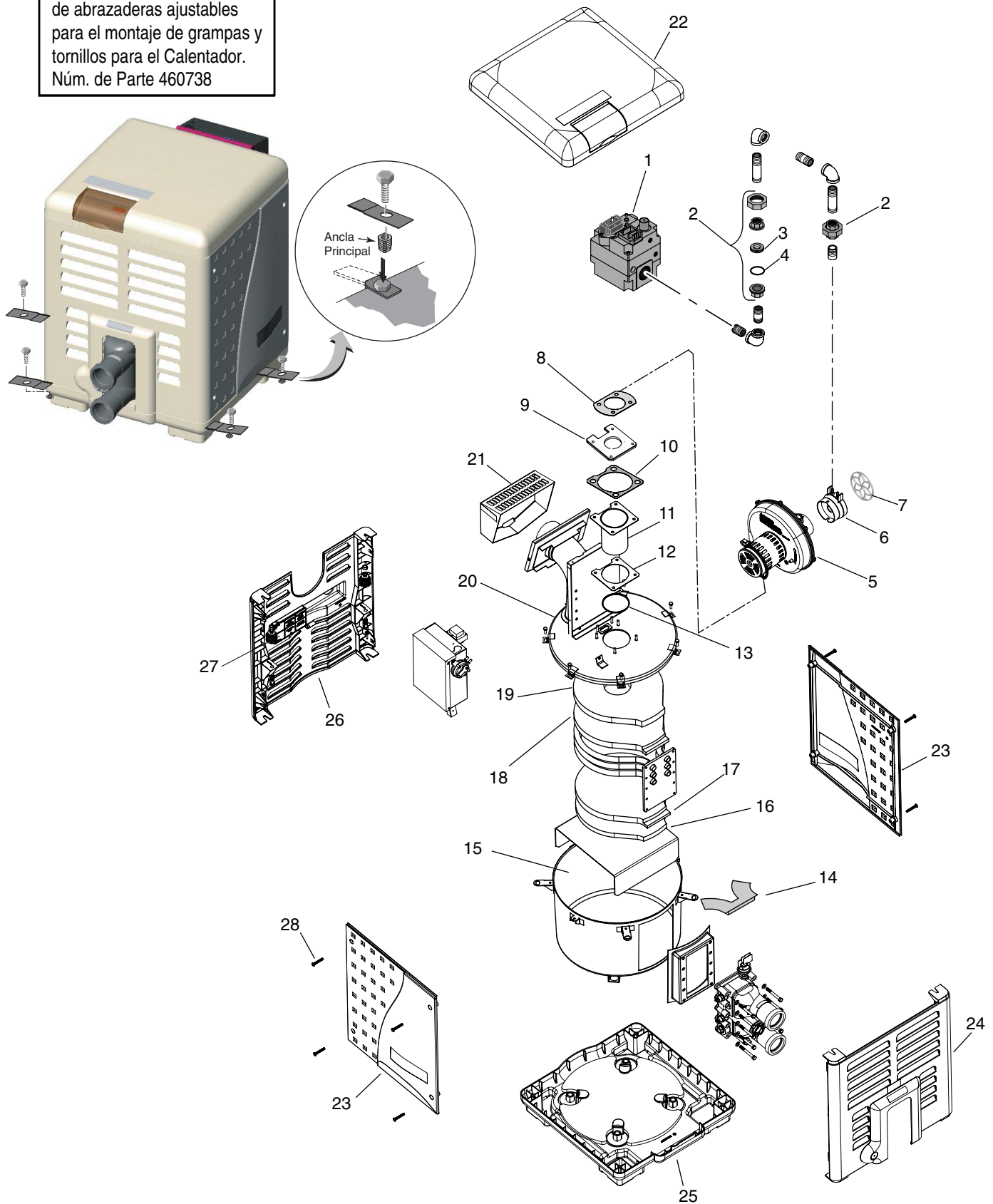
**Los repuestos están disponibles en su concesionario local Pentair.**

Si su concesionario no puede suministrarle los repuestos que necesita, llame al número de Servicio al Cliente 1-800-831-7133, (919) 566-8000 o (805) 553-5000.



## PIEZAS DE REPUESTO PARA MASTERTEMP

Compre por separado un kit de abrazaderas ajustables para el montaje de grampas y tornillos para el Calentador. Núm. de Parte 460738



## PIEZAS DE REPUESTO PARA MASTERTEMP

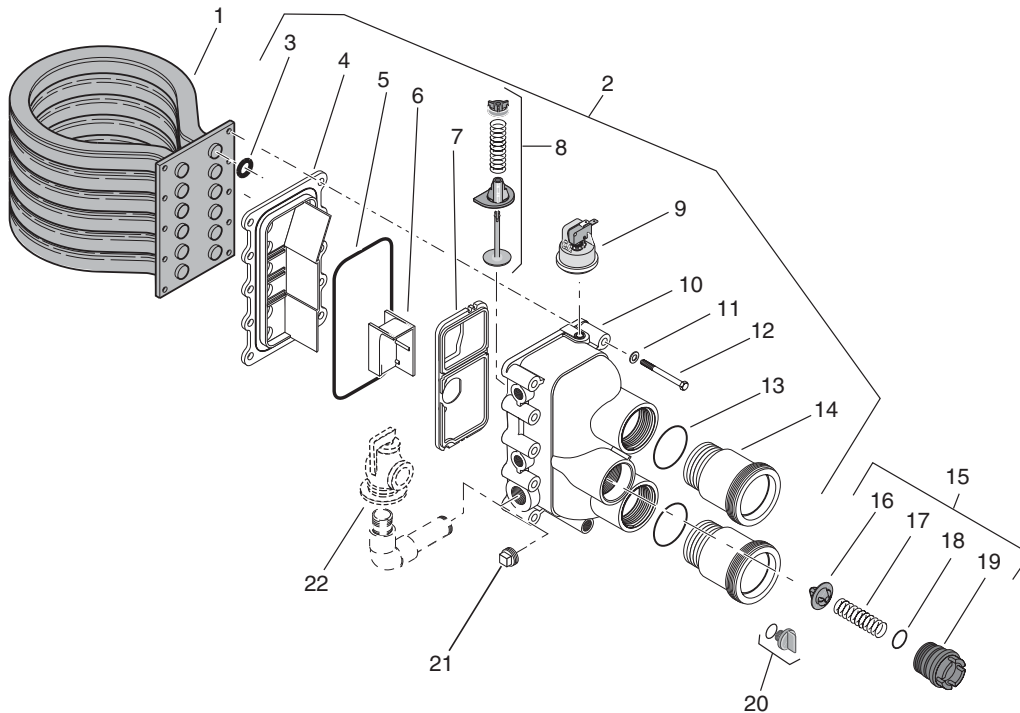
### PIEZAS DE REPUESTO – SISTEMA DEL QUEMADOR

Clave N°.	Descripción	Cant.	Modelo				
			175NA 175LP	200NA 200LP	250NA 250LP	300NA 300LP	400NA 400LP
1	Kit de Válvula de Control de Combinación de Gas	1	42001-0051S	42001-0051S	42001-0051S	42001-0051S	42001-0051S
2	Unión de 3/4"	2	38404-4097S	38404-4097S	38404-4097S	38404-4097S	38404-4097S
3	Orificio de Gas	1					
4	Junta tórica de orificio de gas	1					
	• Kit de orificio de gas natural (incluye Núms. 3 y 4) †		460794	77707-0431	460739	460753	77707-0411
	• Kit de orificio de gas propano (incluye Núms. 3 y 4) †		460795	77707-0461	460740	460754	77707-0441
	• Kit de conversión de gas natural a gas propano (incluye Núms. 3 y 4) †		460794	77707-1461	460741	460755	77707-1441
	• Kit de conversión de gas propano a gas natural (incluye Núms. 3 y 4) †		460795	77707-1431	460742	460756	77707-1411
5	Kit de ventilador de aire						
	Unidades de gas Natural	1	77707-0251	77707-0251	460743	460757	77707-0253
	Unidades de gas Propano	1	77707-0254	77707-0254	460744	460758	77707-0256
	• Kit de orificio de aire (incluye Núms. 6 y 7)	1	460798	77707-0111	460745	460759	77707-0113
6	Orificio de Aire	1					
7	Parrilla de orificio de aire	1	42001-0114S	42001-0114S	42001-0114S	42001-0114S	42001-0114S
	• Kit de junta de la placa del ventilador / adaptador (incluye Núms. 8, 9, 10, 12)	1	77707-0011	77707-0011	77707-0011	77707-0011	77707-0011
	• Kit de portallamas (incluye Núms. 10, 11, 12, 13 y sólo en los modelos 300 & 400 – Inserción de portallamas)	1	77707-0202	77707-0202	460746	77707-0203	77707-0204
8	Junta de la placa del ventilador / adaptador	1					
9	Placa de adaptador del ventilador	1					
10	Junta de la placa del portallamas / adaptador	1					
11	Montura del portallamas	1					
12	Junta de la cámara de combustión / portallamas*	1					
13	Tapa de aislamiento del portallamas	1					
	• Inserción del portallamas	1					
14	Placa de evaporador de condensación	1					
15	Montura de cámara metálica de una pieza / cámara de combustión	1	42001-0200S	42001-0200S	42001-0200S	42001-0200S	42001-0200S
	• Kit de aislamiento (incluye Núms. 13, 14, 16, 17, 18 y 19)	1	77707-0008	77707-0008	77707-0008	77707-0008	77707-0008
16	Manta de aislamiento externo inferior*	1					
17	Aislamiento interno inferior de 1"	1					
18	Aislamiento superior de 1"	1					
19	Manta de aislamiento externo superior*	1					
	• Aislamiento compartimiento inferior	1	42001-0074S	42001-0074S	42001-0074S	42001-0074S	42001-0074S
20	Codo de metal de una sola pieza / cámara de combustión	1					
	Montura de cubierta	1	42001-0214S	42001-0214S	42001-0214S	42001-0214S	42001-0214S
21	Cubierta de ventilador de metal	1	42002-0005S	42002-0005S	42002-0005S	42002-0005S	42002-0005S
	Montura de cubierta	1	42001-0214S	42001-0214S	42001-0214S	42001-0214S	42001-0214S
22	Parte superior del calentador	1	42002-0034Z	42002-0034Z	42002-0034Z	42002-0034Z	42002-0034Z
23	Panel lateral (panel de servicio)	1	42002-0039	42002-0039	42002-0039	42002-0039	42002-0039
24	Penal lateral (colector)	1	42002-0033	42002-0033	42002-0033	42002-0033	42002-0033
25	Parte inferior del calentador	1	42002-0031	42002-0031	42002-0031	42002-0031	42002-0031
26	Panel lateral (tubo de chimenea)	1	42002-0032	42002-0032	42002-0032	42002-0032	42002-0032
27	Cubierta de caja J	1	42002-0041	42002-0041	42002-0041	42002-0041	42002-0041
28	Kit de tornillos, panel	1	XXXXXX	XXXXXX	XXXXXX	XXXXXX	XXXXXX

\* No está disponible por separado.

† No está incluido con el calentador. Ordenar por separado.

## PIEZAS DE REPUESTO PARA MASTERTEMP



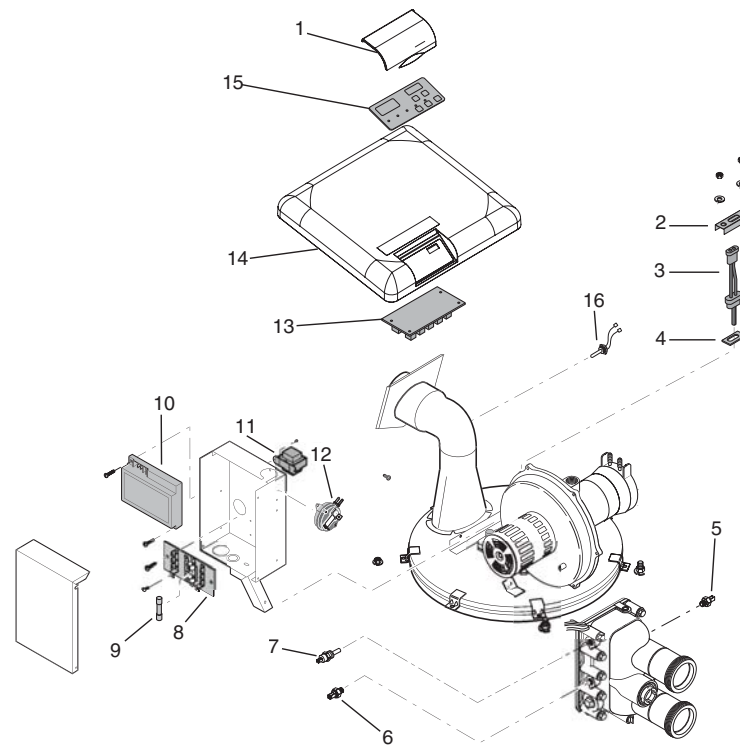
### PIEZAS DE REPUESTO – SISTEMA DE AGUA

Clave Núm.	Descripción	Cant.	Modelo			
			175NA - 200NA 175LP - 200LP	250NA 250LP	300NA 300LP	400NA 400LP
1	Kit de montura de resorte de lamina de Tubería (series NA, LP) (incluye Núm. 3)	1	77707-0232	460747	77707-0233	77707-0234
1	Kit de montura de resorte de lamina de Tubería (Series HD - NA) (incluye Núm. 3)	1	–	473710	–	77707-0244
2	Kit del colector (incluye Núms. 3-14, 21 y Núms. 5-7 en "Sistema Eléctrico", Pág. 53)	1 ( )	77707-0014 77707-0117(6)	460748 460749(8)	77707-0015 77707-0118(10)	77707-0016 77707-0119(12)
3	Kit de junta tórica para sellado de resorte / tubería	1				
4	Placa inferior del colector	1				
5	Junta tórica del colector	1	77707-0120	77707-0120	77707-0120	77707-0120
•	Kit de junta tórica (incluye Núms. 3, 5)	1				
6	Inserción del colector*	1				
7	Placa estabilizadora del colector	1				
8	Válvula bypass del colector	1	42001-0060S	42001-0060S	42001-0060S	42001-0060S
9	Interruptor de presión de agua	1				
10	Colector	10				
11	Arandela de 5/16", S.S.	10				
12	Tuerca hexagonal de 5/16x18x2-3/4"	2				
13	Junta tórica de tubería de conexión					
14	Kit de tubería de conexión (incluye una tubería de conexión y una junta tórica)	2	77707-0017	77707-0017	77707-0017	77707-0017
15	Kit de regulador térmico (incluye Núms. 16, 17, 18, 19 y un cierre de resorte)	1	77707-0010	77707-0010	77707-0010	77707-0010
16	Regulador térmico (incluye cierre de resorte)	1	38000-0007S	38000-0007S	38000-0007S	38000-0007S
17	Resorte de regulador térmico	1	35505-1313	35505-1313	35505-1313	35505-1313
18	Junta tórica de tapa del regulador térmico	1				
•	Cierre de resorte del regulador térmico	1				
19	Tapa del regulador térmico	1	U178-920P	U178-920P	U178-920P	U178-920P
20	Conector de drenaje	1	U78-60ZPS	U78-60ZPS	U78-60ZPS	U78-60ZPS
21	Conector de tubería de 3/4"					
22	Válvula de liberación de presión (recomendado – comprar por separado)	1	38674-0719	38674-0719	38674-0719	38674-0719

\* No está disponible por separado.

• No ilustrado.

## PIEZAS DE REPUESTO PARA MASTERTEMP



### PIEZAS DE REPUESTO – SISTEMA ELECTRICO

Clave Núm.	Descripción	Cant.	Modelo			
			175NA - 200NA 175LP - 200LP	250NA 250LP	300NA 300LP	400NA 400LP
1	Cubierta del visualizador del calentador	1	42002-0035	42002-0035	42002-0035	42002-0035
2	Abrazadera del encendedor	1	42001-0030S	42001-0030S	42001-0030S	42001-0030S
3	Kit de junta del encendedor / encendedor (incluye Núm. 3 y 4)	1	77707-0054	77707-0054	77707-0054	77707-0054
4	Junta del encendedor	1	42001-0066S	42001-0066S	42001-0066S	42001-0066S
5	Interruptor de Apagado Automático de Gas (AGS)	1	42002-0025S	42002-0025S	42002-0025S	42002-0025S
6	Interruptor de Límite Alto	1	42001-0063S	42001-0063S	42001-0063S	42001-0063S
7	Termistor	1	42001-0053S	42001-0053S	42001-0053S	42001-0053S
8	Panel de Terminales	1	42001-0056S	42001-0056S	42001-0056S	42001-0056S
9	Fusible del Interruptor de Bombero (1.25A, 1-1/4")	1	32850-0099	32850-0099	32850-0099	32850-0099
10	Módulo de Control de encendido	1	42001-0052S	42001-0052S	42001-0052S	42001-0052S
11	Transformador de 120/240 voltios	1	42001-0107S	42001-0107S	42001-0107S	42001-0107S
12	Interruptor de Flujo de Aire	1	42001-0061S	42001-0061S	42001-0061S	42001-0061S
13	Kit del Panel de Control (Series NA, LP)	1	42002-0007S	42002-0007S	42002-0007S	42002-0007S
	• Arnés de cableado del Calentador 120/240 voltios	1	42001-0104S	42001-0104S	42001-0104S	42001-0104S
	• Kit de conectores de 120/240 voltios	1	42001-0105S	42001-0105S	42001-0105S	42001-0105S
14	Parte superior del Calentador	1	42002-0034Z	42002-0034Z	42002-0034Z	42002-0034Z
15	Placa de Membrana (Series NA, LP)	1	472610Z	472610Z	472610Z	472610Z
16	Sensor de salida de gases	1	42002-0024S	42002-0024S	42002-0024S	42002-0024S

• No está disponible por separado.

\* Las piezas contenidas en los kits no están disponible por separado.

# NOTAS




## CONSERVE ESTAS INSTRUCCIONES

***Pentair Water Pool and Spa, Inc.***

1620 Hawkins Ave., Sanford, NC 27330 • (919) 566-8000

10951 West Los Angeles Ave., Moorpark, CA 93021 • (805) 553-5000

293 Wright Street, Delavan, WI 53115 • (262) 728-5551

© 2007 Pentair Water Pool and Spa, Inc. Todos los derechos reservados.





# Attention Installer

Please give this manual to the owner and/or operator once installation is complete.

# Attention User

Please retain this manual for future reference, it contains important information that will help you in operating and maintaining this heater.

Call (800) 831-7133 for additional free copies of these instructions.

© 2007 Pentair Water Pool and Spa, Inc. All rights reserved.

This document is subject to change without notice.

1620 Hawkins Ave., Sanford, NC 27330 • (800) 831-7133 • (919) 566-8000

10951 West Los Angeles Ave., Moorpark, CA 93021 • (800) 831-7133 • (805) 553-5000

