



#300 & #302 CHLORINE/BROMINE FEEDERS

Features:

- No special venting required.
- Completely enclosed-no escaping gases.
- Positive external no-clog control valve.
- Feeder is designed to automatically lower the water level so tablets are not soaking during off period of pump. This allows more efficient use of tablets.
- No equipment damage. Feeds sanitizer directly to pool or spa.
- All parts replaceable.
- To prevent over feeding during use, completely close the control valve and the built in check valve will prevent chemical from being fed into pool or spa.

It is important to read all information BEFORE proceeding with the installation. The information will guide you in installing your feeder properly and to avoid problems due to improper installation.

IF YOUR POOL OR SPA HAS COPPER PLUMBING . . . STOP!!

Never install the feeder into copper plumbing as pipe damage will occur. (See Equipment Safety CAUTION sheet enclosed). **NOTE:** If heaters are used, a Fireman's Switch or equivalent must be installed to prevent possible damage and improper operation of Check Valve and other equipment subject to heat damage.

WHERE TO INSTALL YOUR FEEDER

Series #300 and #302 are designed for EXISTING pools or spas or new pools or spas where conditions are such to make permanent installation into the return line impractical. The outlet line must be installed after the heater. If your pool does not have a heater, then it must be installed after the filter. (see Fig. A & B)

DAMAGE TO YOUR HEATER COULD RESULT IF HIGHLY CHLORINATED WATER FLOWS THROUGH IT.

If your pool has a heater, install the line to the feeder between the filter and heater. If your pool does not have a heater, install the inlet line between the pump and the filter. Refer to installation drawings A & B for your particular condition. Choose a site where feeder can be installed in a vertical position. Always install as far from any metal equipment as practical since fumes, etc. can corrode them. If optional corrosion resistant check valve is required, refer to installation instructions before next step.

INSTALLATION INSTRUCTIONS

Position feeder close to filter and cut tubing to desired lengths. Be careful to cut ends straight.

ATTACH INLET LINE TO FEEDER

Screw control valve into side of feeder. Use teflon tape to seal threads. Push compression nut over tubing and then push tubing onto tapered end of control valve. Tighten nut firmly by hand.

ATTACH OUTLET LINE TO FEEDER

Screw Combination check valve elbow into bottom of feeder. Refer to drawing on other side. Use teflon tape to seal threads. **CAUTION**, do not overtighten. Damage to threads or check valve could occur. Push compression nut over tubing end. Then push tubing onto tapered end of elbow. Tighten nut firmly by hand.

INSTALL INLET LINE IN PLUMBING

(Line to side of feeder.) Turn off pump and timer switches. Drill $\frac{3}{8}$ " hole in plumbing, remove burrs and install saddle clamp assembly. See drawing on other side. Attach inlet line by first pushing compression nut over tub end. Then push tube onto tapered end of tube fitting. Tighten nut firmly by hand.

INSTALL OUTLET LINE IN PLUMBING

(Line from feeder.) Drill $\frac{3}{8}$ " hole in plumbing (AFTER the heater. If no heater, drill after filter.) and remove burrs. See drawing on other side. Install saddle clamp assembly. Attach outlet line by first pushing compression nut over tube end. Then push onto tapered end of tube fitting. Tighten nut firmly by hand. Installation is now complete.

OPERATING INSTRUCTIONS

Before start up of feeder, your pool should be properly conditioned and the residual should be 1.0 to 1.5 ppm, (Bromine 2.0-4.0 ppm). The water in a newly-filled pool should be properly conditioned to insure maximum effectiveness of

the feeder. Consult your local dealer for water conditioning information for your area.

1. Remove cap of feeder and fill with proper size tablets.

Series 300 uses 1" or 3" dia. tablets

Series 302 uses 1" dia. tablets in Spa Chamber.

2. Making sure O-Ring is clean, lubricated with Lifeguard Silicone and is in place, replace cap. Hand tighten only.

3. Turn on pump and timer switches.

4. Adjust control valve according to your pool/spa size. Use a test kit. It is recommended that the chemical residual be checked daily for the first 5 days. Remember . . . hot days, higher water temperature or increased pool/spa activity will cause your pool/spa to use more sanitizer. When possible, increase the feed rate a day or two in advance. Because the sanitizer demand in your pool/spa varies and is dependent on many factors (sunlight, bather load, water temperature, etc) your valve setting may have to be changed from time to time to adjust to these conditions. For example, the winter setting may be #2 while the summer setting is #3. Check the residual daily to find the ideal setting. Note: Higher numbers dispense more chemical. Small gradual changes are imperative for control.

HOW TO RECHARGE FEEDER

1. Turn control valve to the closed position. **SHUT OFF PUMP.**

2. Wait one minute. This will allow water and fumes to drain from feeder.

3. Leave control valve closed and turn on pump. The check valve will prevent water from entering the feeder.

4. Remove cap and fill with proper size tablets or sticks. (See Operating Instructions #1)

5. Making sure O-Ring is clean, lubricated with Lifeguard Silicone and is in place, replace cap. Hand tighten only.

6. Open control valve to original setting. Inspect inlet and outlet line each time feeder is recharged. Replace lines yearly if necessary.

BELOW WATER LEVEL INSTALLATION

Feeder should be installed above water level whenever practical. If installed below water level, a drain valve must be installed to prevent spillage and dangerous splash back of high chlorinated water during recharging. Drill and tap a $\frac{1}{4}$ " MPT hole at the same level the control valve is located. Make sure there is no water or tablets inside the feeder before drilling. Install optional drain valve, Part R172060, or suitable chemical resistant drain valve.

BELOW WATER LEVEL RECHARGING INSTRUCTIONS

1. Shut off pump and timer switches.

2. Shut off control valve.

3. Place a clean container under drain and open drain valve.

4. Exercise extreme caution when opening or servicing feeder. Do not inhale fumes. Wear protective gear. Remove cap. Water will now drain from feeder. Empty container back into pool or spa.

5. Close drain valve. fill with proper size tablets or sticks.

6. Making sure O-Ring is clean, lubricated with Lifeguard Silicone and in place, replace cap.

7. Turn on pump and timer switches.

8. Reset control valve to original setting. Inspect inlet and outlet line each time feeder is recharged. Replace lines yearly if necessary.

READ CAREFULLY

This feeder is designed to use only Trichloro-s-triazinetriene OR Bromine tablets-slow dissolving type **UNDER NO CIRCUMSTANCES** mix Trichlor OR Bromine with Calcium Hypochlorite, with other forms of concentrated chlorine or with other chemicals **FIRE AND EXPLOSION MAY RESULT. NEVER** use oils or grease to lubricate O-ring. Oil in contact with Trichlor OR Bromine may result in fire. Lubricate O-ring with Lifeguard Silicone O-ring Lubricant only, available at your dealer. Caution should be used when removing feeder cap. **Do not inhale fumes.** If shock treatments or Algaecides containing chemicals other than sanitizer tablets in feeder must be used, **turn off Feeder OR remove tablets until the shock or Algae treatment is complete and all granules have dissolved.** Failure to do so may result in granules mixing in feeder causing **FIRE AND/OR EXPLOSION.** The shock or algae treatment **dissolved** in water is safe with tablets.

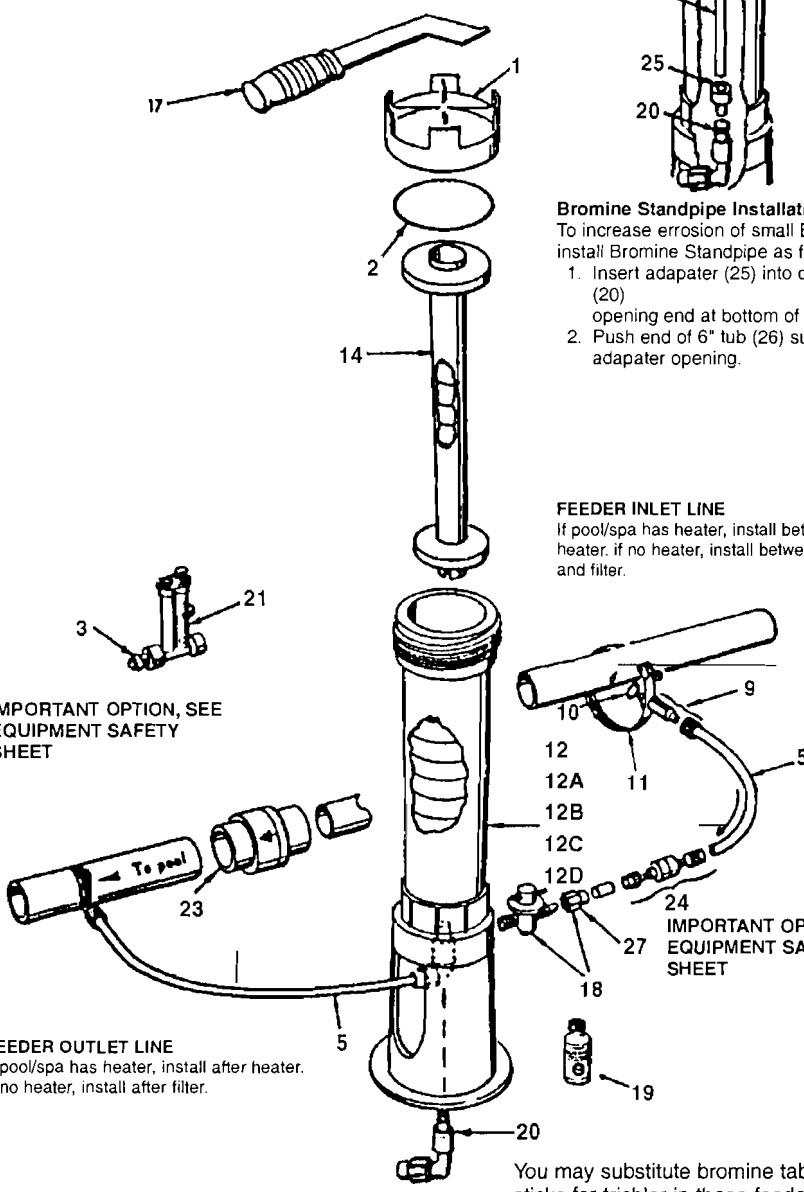


CAUTION

Do not install feeder into copper plumbing. Pipe damage could occur.
Never install feeder before heater.
Heater damage could occur.

#300-302 CHLORINE / BROMINE FEEDER PARTS BREAK DOWN DRAWING

Item	Qty.	Part No.	Description
1	1	R172008	3" Threaded cap
2	1	R172009	O-Ring cap
*3	1	R172020	Check valve
*4	1	R172022	Chlorine control valve
5	8'	R172023	3/8" OD x 1/4" ID tubing
*6	1	R172029	Male tube fitting 1/4" NPT
8	1	R172031	Female tube fitting 1/4" NPT
9	2	R170032	Tube fitting with nut
10	2	R172033	Gasket
11	2	R172034	Saddle clamp
12	1	R172035	Body assy. w/stand #300
12A	1	R172075	Body assy. w/stand #300-19
12B	1	R172076	Body assy. w/stand #300-29
12C	1	R172035A	Body assy. w/stand #302
*13	1	R172038	90° tube fitting-female 1/4" NPT
14	1	R172037	Spa chamber #302 only
17	1	R172052	Cap wrench (optional)
18	1	R172060	Control valve 1/4" NPT x tube with nut
19	1	R172036	Silicone lubricant
20	1	R172061	Combination check valve/elbow
21	Optional	R172080	Flow indicator
23	Optional	R172288	1 1/2"-2" Corrosion resistant check valve
24	Optional	R172323	1/4" Corrosion resistant check valve
25	1	R172061B	Standpipe adapter
26	1	R18761	6" Standpipe 3/8" OD x 1/4" ID



Bromine Standpipe Installation
To increase erosion of small Bromine tablets install Bromine Standpipe as follows:
1. Insert adapter (25) into check valve (20) opening end at bottom of chamber.
2. Push end of 6" tub (26) supplied into adapter opening.

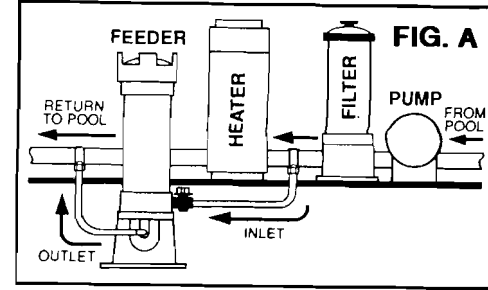
FEEDER INLET LINE
If pool/spa has heater, install between filter and heater. If no heater, install between pump and filter.

IMPORTANT OPTION, SEE EQUIPMENT SAFETY SHEET

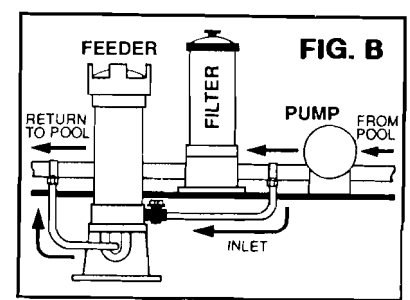
IMPORTANT OPTION, SEE EQUIPMENT SAFETY SHEET

FEEDER OUTLET LINE
If pool/spa has heater, install after heater. If no heater, install after filter.

You may substitute bromine tablets or sticks for trichlor in these feeders. **DO NOT MIX.**



Typical installation with heater



Typical installation without heater



NSF listed for public or residential use in Swimming Pools, Spas or Hot Tubs using Trichlor or Bromine and when used with a flow indicating device such as Rainbow Lifeguard Model #R172080.

U.S. Patent No. 4210624 & 4293425
Canadian Patent No. 1092731



Pentair
Pool Products™
Sanford, NC
Moorpark, CA



EXTENSIONS

- Going on vacation?
- Need more chlorine?
- Filling Chlorinator/Brominator too frequently?

LIFEGARD CHLORINATOR EXTENSIONS SOLVE THE ABOVE PROBLEMS BY:

1. Increasing tablet capacity.
2. Larger chamber size allows more erosion of tablets. (See special instructions below)

The 10" extension doubles and the 20" extension triples (approximately) the capacity and time between refills. ***AVAILABLE THROUGH LIFEGARD DEALERS ONLY.**

NOTE: On free standing #300 series chlorinators, the base of the chlorinator should be secured to prevent the possibility of the chlorinator tipping over due to increased height.

INSTALLATION INSTRUCTIONS

1. Follow recharging instructions to the point of filling with tablets
2. Making sure O-Ring is clean, lubricated with Lifeguard Silicone and in place, screw on extension tightly and secure with lock screw. (You may wish to wait until back in operation before tightening screw to insure against leaks).
3. Fill with tablets and continue with normal recharging procedure.

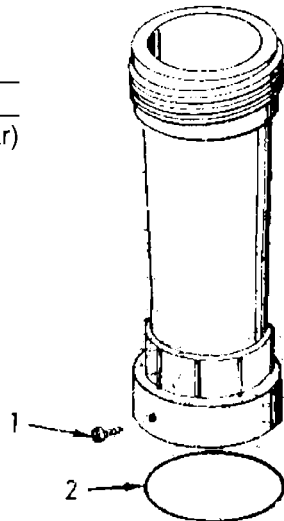
SPECIAL INSTRUCTIONS:

The large chamber size will result in more chlorine being dispensed at the same valve setting, therefore, once installed, several days monitoring will be necessary to readjust chlorinator output.

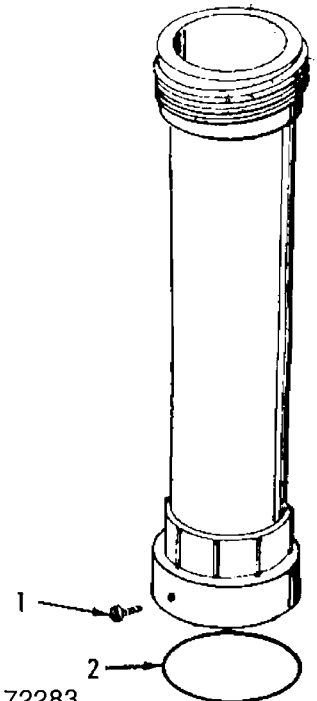
*Does not apply to large capacity #300-19 or #300-29.

Parts Breakdown Drawing

Item	Quantity	Part No.	Description
1	1	R172078	Lockscrew (bottom collar)
2	1	R172009	O-Ring



#R172087
10" Chlorinator extension complete



#R172283
20" Chlorinator extension complete



Sanford, NC
Moorpark, CA

Made & Printed in U.S.A.
R24054-1200



#R172323, #R172324 & #R172288 CHECK VALVE INSTALLATION INSTRUCTIONS

NOTE: MAKE SURE ALL PUMPS AND TIMER SWITCHES ARE IN THE OFF POSITION.

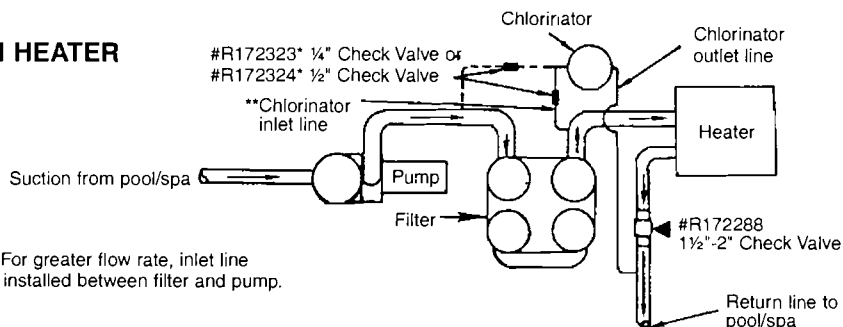
#R172323* 1/4" CHECK VALVE & #R172324* 1/2" CHECK VALVE INSTALLATION:

1. Cut Chlorinator inlet line at desired location.
2. Slide compression nut over one end of line. Make sure arrow on check valve is pointing toward Chlorinator, insert barbed end of check valve into line and tighten the nut finger tight. Repeat procedure for other end of check valve.

#R172288 1 1/2"-2" CHECK VALVE INSTALLATION:

1. Cut piping at required location for your situation (refer to drawings).
2. Making sure arrow on check valve is pointing away from equipment and in the direction of water flow to the pool/spa, glue in check valve using PVC solvent cement. 1 1/2" pipe will glue directly in valve, 2" pipe requires two 2" slip x slip couplings

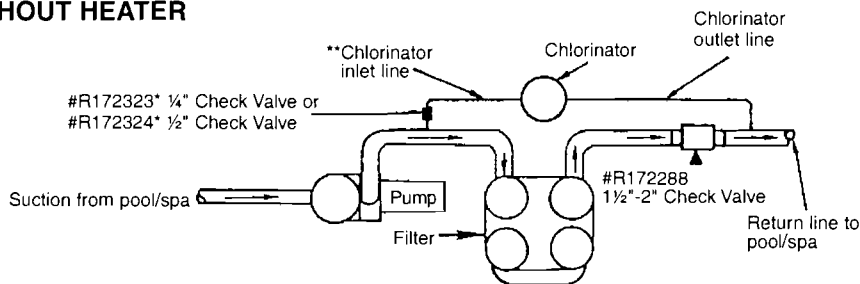
WITH HEATER



**Note: For greater flow rate, inlet line may be installed between filter and pump.

NOTE: If heaters are used, a FIREMAN'S SWITCH or equivalent must be installed to prevent possible damage and improper operation of CHECK VALVE and other equipment subject to heat damage.

WITHOUT HEATER



EQUIPMENT SAFETY CAUTION

PLEASE READ CAREFULLY

Since most pool plumbing is not airtight, and a mixture of air and chlorine is highly corrosive to metals, it is important to protect these items from corrosion in the OFF period when no circulation is taking place. (There is no chance for chlorine corrosion when the circulating system is in operation.)

Of course, corrosion or erosion of metal components can still occur independently of any chlorinator installation for the following reasons:

1. Water velocity too high.
2. Water pH less than 7.2.
3. Total alkalinity less than 100 PPM.

If your pool or spa has any of the following equipment, special plumbing procedures must be followed for safe operation:

1. Brass or bronze gate, rotary or backwash valves.
2. The preceding valves constructed of PVC or other plastic material with metallic shafts.
3. Filters, heaters, heat exchanges or other items with metallic tanks, shafts, coils or tubes.
4. **NOT FOR USE IN COPPER PLUMBING.**

Installation of the **OPTIONAL** Rainbow #R172288, #R172323* and #R172324* positive seal, corrosion resistant check valve **SHOWN ON REVERSE SIDE** will prevent the backflow of corrosive liquids and gases that can damage equipment containing metallic components. Examples listed above.

*Note: Valve size and tubing size must match.

WARNING: If your pool is equipped with a permanent built in pool-cleaning system, damage could occur to that system if materials are not compatible with low pH Tri-Chloro feeders. Check with manufacturer for compatibility.



Pentair
Pool Products™

Sanford, NC
Moorpark, CA

R24296-0502

Made & Printed in U.S.A.
R24296-0502