

POOL

MODELS: 2100 TO 4001

CATALOG NO. 9100.70

Effective: 11-06-12

Replaces: 06-04-07

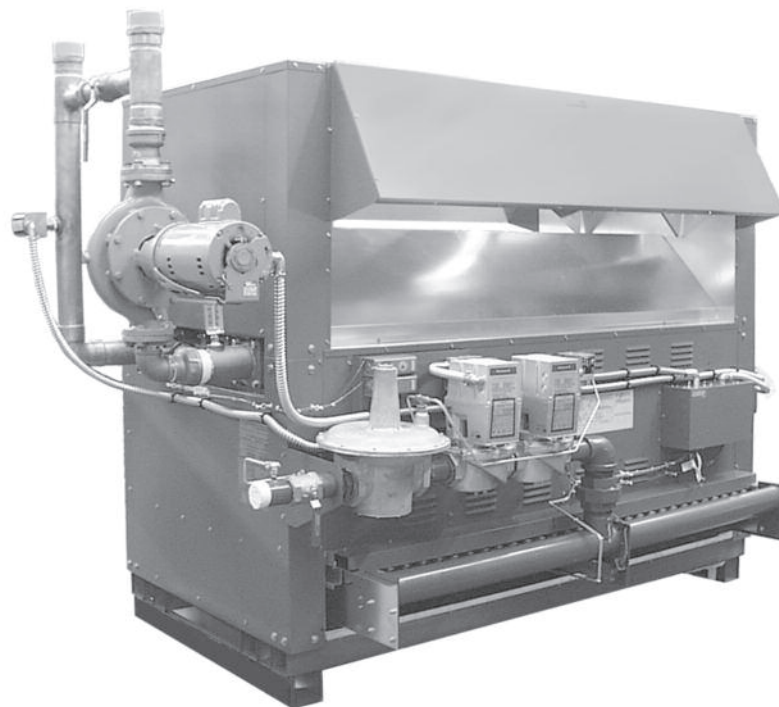
RAYPAK ILLUSTRATED PARTS LIST

MODEL SIZES: 2100, 2500, 3001, 3500 & 4001

MODEL TYPE: P COMMERCIAL POOL

DATES OF MANUFACTURE: 09-01-84 THRU CURRENT

THE PARTS LISTED ARE FOR STANDARD EQUIPMENT FOR THIS MODEL TYPE. RAYPAK RESERVES THE RIGHT TO SUBSTITUTE, DELETE OR CHANGE ANY PART WITHOUT NOTIFICATION. THE ADDITION OF OPTIONS MAY ALSO CHANGE SOME OF THE PARTS. ORDER REPLACEMENT PARTS FROM ACTUAL HEATER COMPONENTS.



FOR DETAILED INSTRUCTIONS, SEE "HOW TO USE YOUR RAYPAK ILLUSTRATED PARTS LIST",
CATALOG NO. 9001.10



Raypak, Inc., 2151 Eastman Avenue, Oxnard, CA 93030
(805) 278-5300 Fax (800) 872-9725
Litho In U.S.A.

J-BOX ASSEMBLY DETAIL

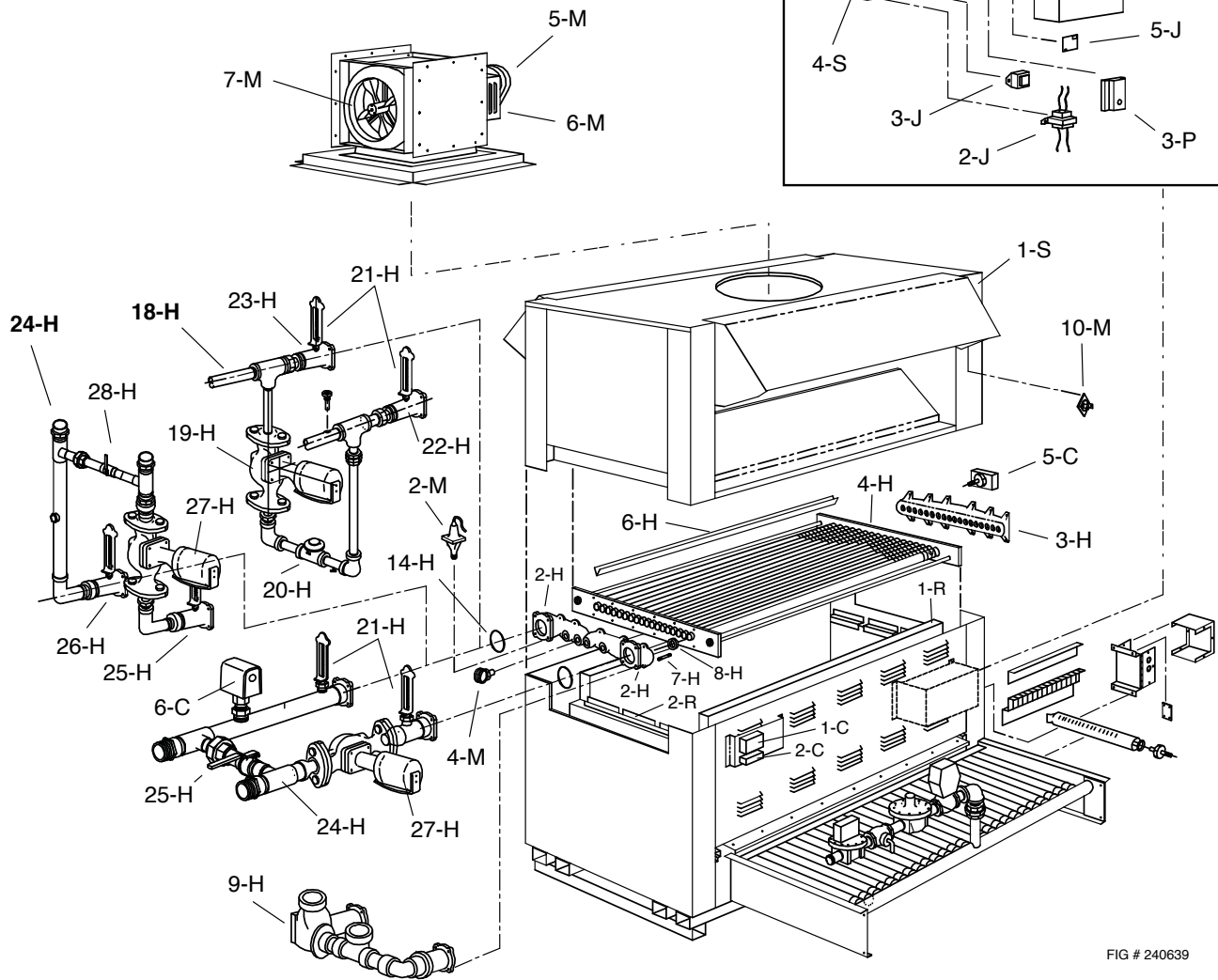
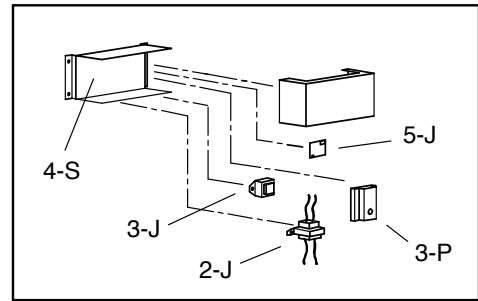
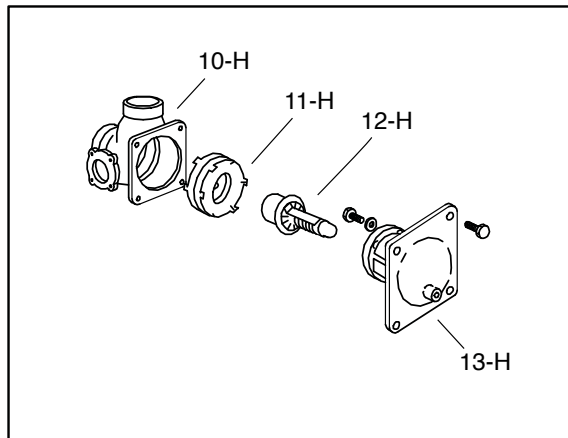
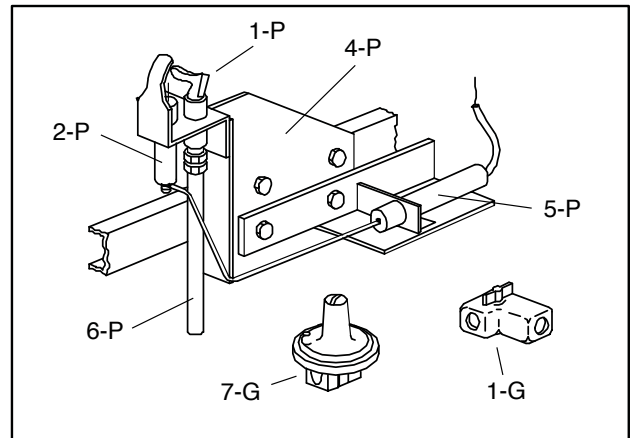


FIG # 240639

UNITHERM GOVERNOR ASSEMBLY



PILOT ASSEMBLY



CALL OUT	DESCRIPTION	2100	2500	3001	3500	4001
B	BURNER TRAY					
1-B	Burner Tray w/Burners (Sea Level)*	001897F	001898F	001899F	001900F	001901F
	Burner Tray w/o Burners (Sea Level)*	001902F	001903F	001904F	001905F	001906F
2-B	Burner Spacer/Hold Down Bracket	001907F	001908F	001909F	001910F	001911F
3-B	Burner	305846/21	305846/25	305846/30	305846/35	305846/40
4-B	Burner Orifice Nat. #17 (Sea Level)*	350791F/21	350791F/25	350791F/30	350791F/35	350791F/40
	Burner Orifice Pro. #36 (Sea Level)*	351053F/21	351053F/25	351053F/30	351053F/35	351053F/40
C	CONTROLS					
1-C	Dualstat Replacement	010863F	010863F	010863F	010863F	010863F
2-C	Manual High Limit 40-180°F	009554F	009554F	009554F	009554F	009554F
4-C	High Pressure Switch			007188F	007188F	007188F
5-C	Low Water Cut Off (Cal Code Only)	006202F	006202F	006202F	006202F	006202F
6-C	Flow Switch	007142F	007142F	007142F	007142F	007142F
7-C	Temp Controller 40-106°F (not shown)	007907F	007907 F	007907F	007907F	007907F
8-C	Temp Controller 0-100 °F (not shown)	006040	006040	0 06040	006040	006040
G	GAS VALVE					
1-G	Manual "B" Valve	007195F	007195F	007195F	007195F	007195F
2-G	Manual "A" Valve	007933F	007933F	600043F	600043F	600043F
3-G	Auto On/Off Valve	004095F	004096F			
4-G	Combination Valve Nat.	600633	600633			
	Combination Valve Pro.	600693	600693			
5-G	Valve Actuator Body			600454/2	600454/2	600454/2
6-G	Regulator Nat.			600078	600078	600078
	Regulator Pro.			003614F	003614F	003614F
7-G	Pilot Regulator Nat.	004060F	004060F	004060F	004060F	004060F
	Pilot Regulator Pro.	004061F	004061F	004061F	004061F	004061F
8-G	Actuator On/Off			011908F	011908F	011908F
9-G	Pilot Gas Valve	600562	600562	600154	600154	600154
10-G	High Gas Pressure Switch			007188F	007188F	007188F
H	HEAT EXCHANGER					
1-H	Heat Exchanger Assy. (Complete)	001932F	001933F	001934F	001935F	001936F
2-H	Inlet Header	010037F	010037F	010037F	010037F	010037F
29-H	Outlet Header	001967F	001967F	001967F	001967F	001967F
3-H	Return Header	001970F	001970F	001970F	001970F	001970F
4-H	Tube Bundle	001942F	001943F	001944F	001945F	001946F
5-H	Heat Exchange Tube	001952F	001953F	001954F	001955F	001956F
6-H	Baffle Kit	001957F	001958F	001959F	001960F	001961F
7-H	Bolt Kit	001962F	001962F	001962F	001962F	001962F
8-H	Header Gasket	001054F	001054F	001054F	001054F	001054F
9-H	Unitherm Governor (Complete)	N/A	N/A	N/A	N/A	N/A
10-H	Housing	005886F	005886F	005887F	005887F	005887F
11-H	Disc	005888F	005888F	005888F	005888F	005888F
12-H	Element	005889F	005889F	005889F	005889F	005889F
13-H	Cap	005890F	005890F	005890F	005890F	005890F
14-H	O-Ring (2)	005891F	005891F	005891F	005891F	005891F
15-H	Sensor Well 1/2"	350338	350338	350338	350338	350338
16-H	Sensor Well 5/8"	350337	350337	350337	350337	350337
17-H	Well Retaining Clip	300203	300203	300203	300203	300203
18-H	Bypass Pump Assy. (Complete)	N/A	N/A	N/A	N/A	N/A
19-H	Bypass Pump 115V 1/4 HP	007226F	007226F	007226F	007226F	007226F
29-H	Pump Flange Gasket 2 Bolt (Not Shown)	012596F	012596F	012596F	012596F	012596F
20-H	Bypass Check Valve	500509	500509	500509	500509	500509
21-H	Thermometer	600133	600133	600133	600133	600133
22-H	Bypass Adapter-Inlet Flange	005592F	005592F	005592F	005592F	005592F
23-H	Bypass Adapter Outlet	005591F	005591F	005591F	005591F	005591F
24-H	Recirculating Assy Complete	007749F	007749F	007749F	007749F	007749F
25-H	Recirculating Adapter inlet	005591F	005591F	005591F	005591F	005591F
26-H	Recirculating Adapter Outlet	007866F	007866F	007866F	007866F	007866F
27-H	Pump In Line 2 HP	012317F	012317F	012317F	012317F	012317F
30-H	Pump Flange Gasket 4 Bolt (Not Shown)	014000F	014000F	014000F	014000F	014000F
28-H	2" Slip Ball Valve	601494	601494	601494	601494	601494

*FOR ALTITUDES ABOVE 2,000 FEET ABOVE SEA LEVEL, CONSULT THE FACTORY.

CALL OUT	DESCRIPTION	2100	2500	3001	3500	4001
J	J-BOX					
1-J	J-Box	002614F	002614F	002615F	002615F	002615F
	J-Box with Pump Relay	005589F	005589F	005590F	005590F	005590F
2-J	Transformer	006533F	006533F	006533F	006533F	006533F
3-J	Relay SPDT 24V	007377F	007377F	007377F	007377F	007377F
	Relay SPDT 120V			008145F	008145F	008145F
4-J	Toggle Switch	008079F	008079F	008079F	008079F	008079F
	Toggle Switch DPST	650958	650958	650958	650958	650958
5-J	Pump Relay PC Board	004675F	004675F	004675F	004675F	004675F
M	MISCELLANEOUS COMPONENTS					
1-M	Pressure Switch	062237B	062237B	062237B	062237B	062237B
2-M	PRV 125 PSI	007759F	007759F	007759F	012312F	012312F
3-M	Delimiting Kit	052870F	052870F	052870F	052870F	052870F
4-M	T & P Gauge	007399F	007399F	007399F	007399F	007399F
5-M	Power Vent Motor	951155F	951155F	951156F	951156F	951156F
6-M	Power Vent Motor Drive Belt	951158F	951158F	951158F	951158F	951158F
7-M	Power Vent Discharge Fan	951159F	951159F	951160F	951160F	951160F
8-M	Power Vent Shaft/Bearing Assy.	951161F	951161F	951162F	951162F	951162F
9-M	Power Vent PC Board	005503F	005503F	005503F	005503F	005503F
10-M	Power Vent FlueSensor	006433F	006433F	006433F	006433F	006433F
11-M	120V Coil Contactor (Not Shown)	007906F	007906F	007906F	007906F	007906F
12-M	Touch-up Paint					
	Green	750125	750125	750125	750125	750125
	Dark Gray	750126	750126	750126	750126	750126
	Cool Dark Gray	750256	750256	750256	750256	750256
P	PILOT					
1-P	Pilot Nat. IID	002084F	002084F	002084F	002084F	002084F
	Pilot Pro. IID	002085F	002085F	002085F	002085F	002085F
2-P	Pilot Orifice Nat.	600552	600552	600552	600552	600552
	Pilot Orifice Pro.	600894	600894	600894	600894	600894
3-P	Ignition Control	004818B	004818B	004818B	004818B	004818B
4-P	Pilot Mounting Bracket	305847	305847	305847	305847	305847
5-P	Ignition Rod	064839	064839	064839	064839	064839
6-P	Pilot Tube (Specify Length)	400013	400013	400013	400013	400013
7-P	High Tension Wire	002663B	002663B	002663B	002663B	002663B
R	REFRACTORY					
1-R	Refractory Kit	001971F	001972F	001973F	001974F	001975F
2-R	Refractory Retainer Kit	001976F	001977F	001978F	001979F	001980F
3-R	Refractory Heat Shield	010226F	010226F	010226F	010226F	010226F
S	SHEET METAL					
1-S	Draft Hood Top Assy.	002079F	002080F	002081F	002082F	002083F



ISO 9001

Registered Quality Management System

www.raypak.com