

POOL

MODELS: 926 TO 1826

CATALOG NO. 9100.65

Effective: 09-01-17

Replaces: 07-15-15

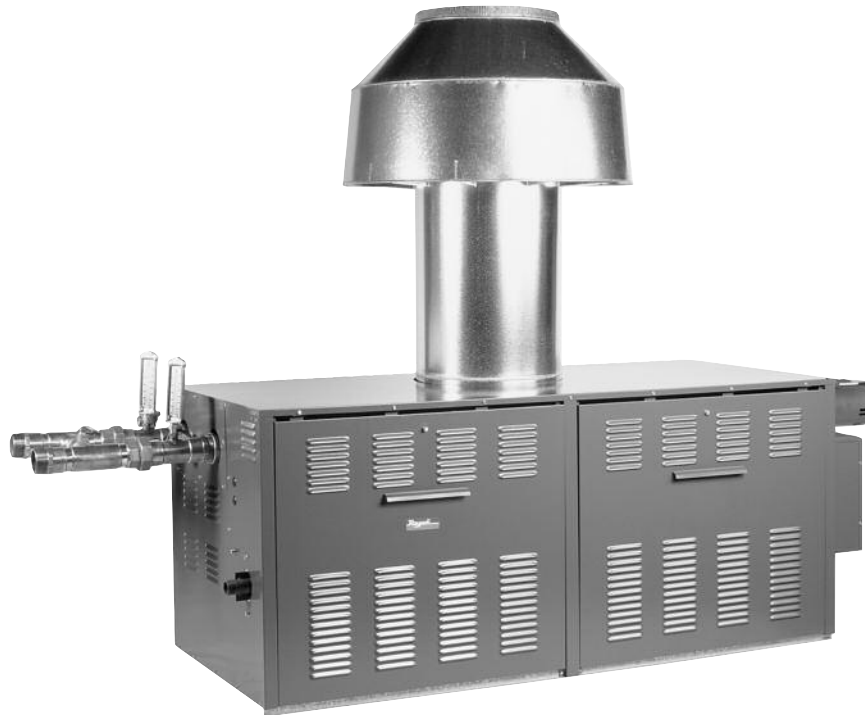
RAYPAK ILLUSTRATED PARTS LIST

**MODEL SIZE: 926, 962, 1083, 1125, 1178, 1223, 1287, 1336, 1414,
1468, 1571, 1631, 1758, 1826**

MODEL TYPE: P COMMERCIAL POOL

DATES OF MANUFACTURE: 09-01-82 THRU CURRENT

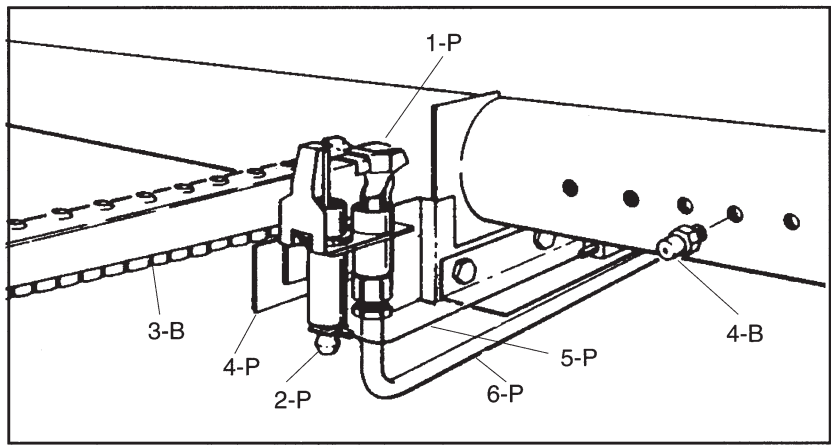
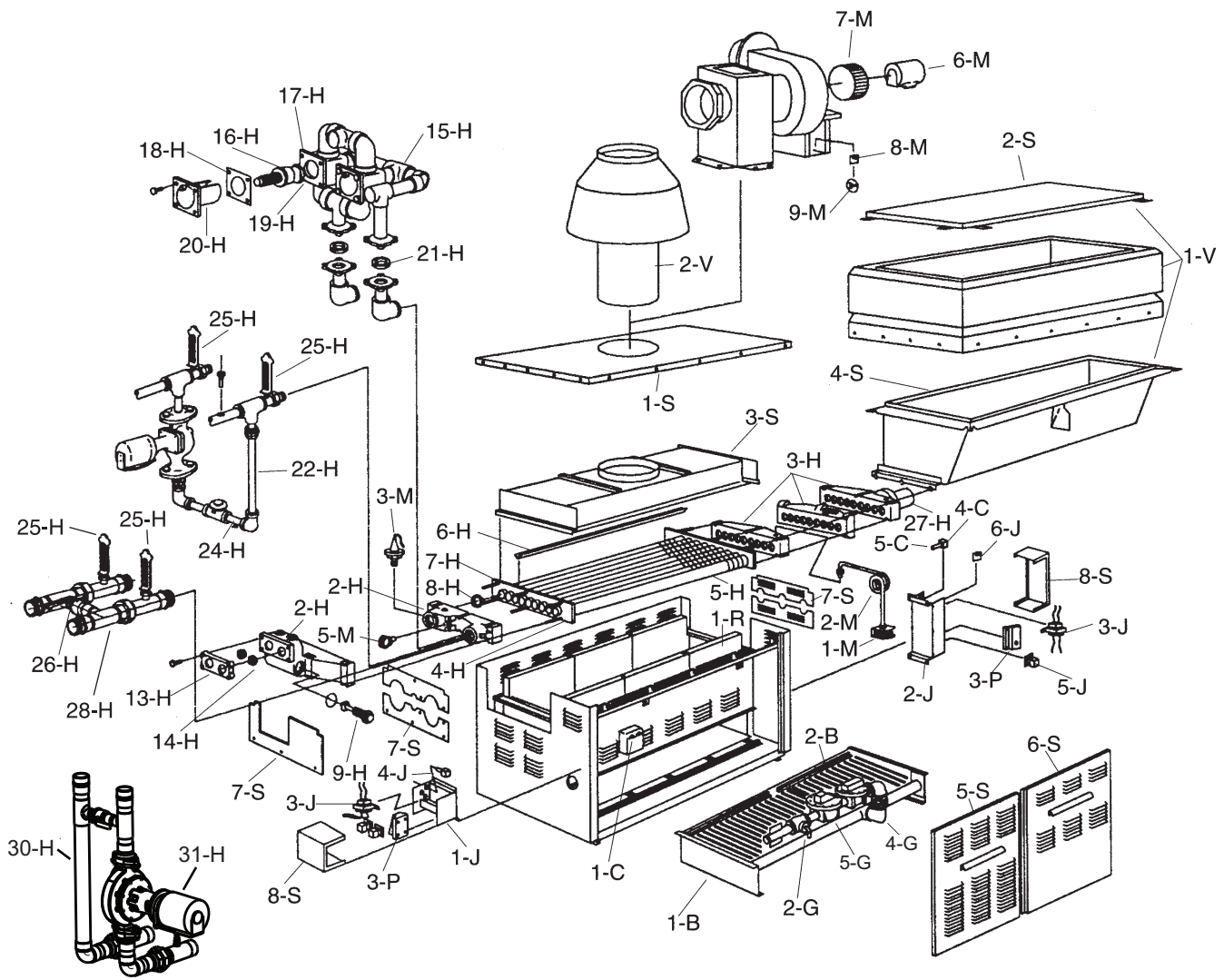
THE PARTS LISTED ARE FOR STANDARD EQUIPMENT FOR THIS MODEL TYPE. RAYPAK RESERVES THE RIGHT TO SUBSTITUTE, DELETE OR CHANGE ANY PART WITHOUT NOTIFICATION. THE ADDITION OF OPTIONS MAY ALSO CHANGE SOME OF THE PARTS. ORDER REPLACEMENT PARTS FROM ACTUAL HEATER COMPONENTS.



FOR DETAILED INSTRUCTIONS, SEE "HOW TO USE YOUR RAYPAK ILLUSTRATED PARTS LIST",
CATALOG NO. 9001.10



Raypak, Inc., 2151 Eastman Avenue, Oxnard, CA 93030
(805) 278-5300 Fax (800) 872-9725
Litho In U.S.A.



CALL OUT	DESCRIPTION	962 [926]	1125 [1083]	1223 [1178]	1336 [1287]	1468 [1414]	1631 [1571]	1826 [1758]
B	BURNER TRAY**							
1-B	Burner Tray w/Burners (Sea Level)*	002092F	002093F	002094F	002095F	002096F	002097F	002098F
	Burner Tray w/o Burners (Sea Level)*	002099F	002100F	002101F	002102F	002103F	002104F	002105F
2-B	Burner Hold Down/Spacer	002120F	002121F	002122F	002123F	002124F	002125F	002126F
3-B	Burner	301210/59	301210/69	301210/75	301210/82	301210/90	301210/100	301210/112
4-B	Burner Orifice Nat. #48 Indoor (Sea Level)*	350077F/59	350077F/69	350077F/75	350077F/82	350077F/90	350077F/100	350077F/112
	Burner Orifice Nat. #49 Outdoor (Sea Level)*	350078F/59	350078F/69	350078F/75	350078F/82	350078F/90	350078F/100	350078F/112
	Burner Orifice Pro. #57 (Sea Level)*	350083F/59	350083F/69	350083F/75	350083F/82	350083F/90	350083F/100	350083F/112
C	CONTROLS							
1-C	Dualstat Replacement (Thermostat & Hi Limit)	010863F	010863F	010863F	010863F	010863F	010863F	010863F
	Auto Reset Adjustable High Limit 240°F Max				007141F	007141F	007141F	007141F
2-C	Manual Reset Adjustable High Limit 180°F Max	009554F	009554F	009554F	009554F	009554F	009554F	009554F
3-C	Low Water Cutoff	006202F	006202F	006202F	006202F	006202F	006202F	006202F
4-C	Flow Switch	007142F	007142F	007142F	007142F	007142F	007142F	007142F
5-C	Flow Switch Paddle							
	McDonnell Miller	004079F	004079F	004079F	004079F	004079F	004079F	004079F
	Taco	010026F	010026F	010026F	010026F	010026F	010026F	010026F
9-C	Poolstat 66-106F with Cover (Not Shown)	010353	010353	010353	010353	010353	010353	010353
6-C	Poolstat 66-106F (Not Shown)	003346F	003346F	003346F	003346F	003346F	003346F	003346F
7-C	High Limit 135F (Screw-In) (Not Shown)	600892F	600892F	600892F				
8-C	Temp Control 16 Optional 0-100 F (Not Shown) (Mfd 2001-Present)	006040	006040	006040	006040	006040	006040	006040
G	GAS VALVE							
1-G	Manual "B" Valve	007195F	007195F	007195F	007195F	007195F	007195F	007195F
2-G	Manual "A" Valve	007189F	007189F	007189F	007190F	007190F	007190F	
	Manual "A" Valve 1-1/2							600881
3-G	Pilot Regulator Nat.	004060F	004060F	004060F	004060F	004060F	004060F	004060F
	Pilot Regulator Pro.	004061F	004061F	004061F	004061F	004061F	004061F	004061F
4-G	Auto On/Off Valve 1-1/4 (V88)	004094F	004094F	004094F	004094F	004094F	004094F	
	Auto On/Off Valve 1-1/2 (V88)							004095F
5-G	Combination Valve Nat. (V8843 or SX243)	600631	600632	600632	600632	600632	600632	600633
	Combination Valve Pro. (V8843 or SX243)	600692	600692	600692	600692	600692	600693	600693
	Pilot Valve	600562	600562	600562	600562	600562	600562	600562
H	HEAT EXCHANGER							
1-H	Heat Exchange Assy ("H" UG)	002482F	002483F	002484F				
	Heat Exchanger Assy (w/ Pump Header)	012346F	012347F	012348F	006952F	006953F	006954F	006955F
	Heat Exchanger Assy (w/o Pump Header)	012349F	012350F	012351F	002485F	002486F	002487F	002488F
2-H	Inlet/Outlet Header 2" ("H" UG)							
	For use with a screw-in high limit	002473F	002473F	002473F	N/A	N/A	N/A	N/A
	For use with a bulb mounted high limit	002489F	002489F	002489F	N/A	N/A	N/A	N/A
	Inlet/Outlet Header 2-1/2"	002216F	002216F	002216F	002216F	002216F	002216F	002216F
3-H	Return Header (For "H" UG Heat Exchanger)	002491F	002491F	002491F				
	Return Header	002492F	002492F	002492F	002492F	002492F	002492F	002492F
	Return Pump Header	002224F	002224F	002224F	002224F	002224F	002224F	002224F
4-H	Tube Bundle	003167F	003168F	003169F	002197F	002198F	002199F	002200F
5-H	Heat Exchange Tube	002208F	002209F	002210F	002211F	002212F	002213F	002214F
6-H	Baffle Kit	001520F	001521F	001522F	001523F	001524F	001525F	001526F
7-H	Bolt Kit	001051F	001051F	001051F	001051F	001051F	001051F	001051F
	Stud Bolt Kit w/Pump Header	001527F	001527F	001527F	001527F	001527F	001527F	001527F
8-H	Header Gasket (For "H" UG Heat Exchanger)	800086B	800086B	800086B				
	Header Gasket	800001B	800001B	800001B	800001B	800001B	800001B	800001B
9-H	U.G. Single	002475F	002475F	002475F				
10-H	Drain Valve 1/4 NPT	014158F	014158F	014158F				
29-H	Manual Bypass Valve (Not Shown)	006994F	006994F	006994F				
11-H	Sensor Well	007211F	007211F	007211F	350338	350338	350338	350338
12-H	Well Retaining Clip	300203	300203	300203	300203	300203	300203	300203
13-H	Inlet/Outlet Flange	002477F	002477F	002477F				
14-H	Flange Gasket	800080B	800080B	800080B				
15-H	U.G. Double w/Piping				N/A	N/A	N/A	N/A
16-H	Unitherm Governor (Mfd 1982-1995)				N/A	N/A	N/A	N/A
17-H	O-Ring				005893F	005893F	005893F	005893F
18-H	Cap Gasket				N/A	N/A	N/A	N/A
19-H	Housing				N/A	N/A	N/A	N/A
20-H	Housing Cap				N/A	N/A	N/A	N/A
21-H	Flange Gasket				005897F	005897F	005897F	005897F
22-H	Bypass Plumbing Assy (Mfd 1995-1997)				N/A	N/A	N/A	N/A
23-H	Pump Inline				N/A	N/A	N/A	N/A
24-H	Check Valve				501581	501581	501581	501581
25-H	Thermometer				600133	600133	600133	600133
28-H	Bypass Plumbing Assy (Complete w/Thermometer) (Mfd 1997-Present)							
	(Mfd 1997-2008)	009507F	009507F	009507F	009507F			
26-H	Ball Valve WOG				501647	501647	501647	501647
30-H	Bypass Plumbing Assy (Complete w/Thermometer) *** (Mfd 2008-Present)					012408F	012408F	012408F
31-H	Pump Inline					007348F	007348F	007348F
32-H	Pump Flange Gasket					013423F	013423F	013423F
27-H	Pump Volute 4 1/4" Impeller				004844F	004844F	004844F	004844F
	Pump Volute 4.7" Impeller	004845F	004845F	004845F	004845F			

* FOR ALTITUDES HIGHER THAN 2000 FEET ABOVE SEA LEVEL, CONSULT THE FACTORY.

** REPLACEMENT BURNER TRAYS ARE BUILT FOR SEA LEVEL, NATURAL GAS APPLICATIONS UNLESS OTHERWISE SPECIFIED AT THE TIME THE ORDER IS PLACED.

*** FOR HEATERS MANUFACTURED WITH COLD WATER RUN BYPASS SEE IPL 9300.82 FOR DETAILS.

CALL OUT	DESCRIPTION	962 [926]	1125 [1083]	1223 [1178]	1336 [1287]	1468 [1414]	1631 [1571]	1826 [1758]
J	J-BOX							
1-J	J-Box Nat. Non-Lockout	002675F	002675F	002675F	002675F	002675F	002675F	002675F
	J-Box Pro./Nat. w/Lockout	002676F	002676F	002676F	002676F	002676F	002676F	002676F
2-J	J-Box Nat. Non-Lockout	002227F	002227F	002227F	002227F	002227F	002227F	002227F
	J-Box Pro./Nat. w/Lockout	002230F	002230F	002230F	002230F	002230F	002230F	002230F
	J Box Pro/Nat w/Lockout and Pump Relay				005588F	005588F	005588F	005588F
	J Box Pro/Nat w/Lockout and Pump Relay Board	006494F	006494F	006494F	006494F	006494F	006494F	006494F
3-J	Transformer	006533F	006533F	006533F	006533F	006533F	006533F	006533F
4-J	Toggle Switch	008079F	008079F	008079F	008079F	008079F	008079F	008079F
5-J	Relay-Pump 24V SPDT				007377F	007377F	007377F	007377F
6-J	Pump Relay PC Board	004675F	004675F	004675F	004675F	004675F	004675F	004675F
M	MISCELLANEOUS COMPONENTS							
1-M	Pressure Switch	062237B	062237B	062237B	062237B	062237B	062237B	062237B
2-M	Pressure Switch Tube Assy.	003273F	003273F	003273F	003273F	003273F	003273F	003273F
3-M	PRV 125 PSI	007224F	007224F	007224F	007224F	007224F	007224F	007758F
4-M	Delimiting Kit	052870F	052870F	052870F	052870F	052870F	052870F	052870F
5-M	T & P Gauge 0-200 PSI	007399F	007399F	007399F	007399F	007399F	007399F	007399F
6-M	Power Vent Motor	951105F	951105F	951105F	951112F	951112F	951112F	951112F
7-M	Power Vent Wheel	951106F	951106F	951106F	951113F	951113F	951113F	951113F
8-M	Power Vent PC Board	005503F	005503F	005503F	005503F	005503F	005503F	005503F
9-M	Power Vent Pressure Switch	601212	601212	601212	601212	601212	601212	601212
10-M	Touch-up Paint							
	Green	750125	750125	750125	750125	750125	750125	750125
	Dark Gray	750126	750126	750126	750126	750126	750126	750126
	Cool Dark Gray	750256	750256	750256	750256	750256	750256	750256
P	PILOT							
P-1	Pilot Nat. IID	002234F	002234F	002234F	002234F	002234F	002234F	002234F
	Pilot Pro. IID	002235F	002235F	002235F	002235F	002235F	002235F	002235F
2-P	Pilot Orifice Nat.	600552	600552	600552	600552	600552	600552	600552
	Pilot Orifice Pro.	600894	600894	600894	600894	600894	600894	600894
3-P	Ignition Control Nat. Non-Lockout	004817B	004817B	004817B	004817B	004817B	004817B	004817B
	Ignition Control Pro. (Nat. w/Lock)	004818B	004818B	004818B	004818B	004818B	004818B	004818B
4-P	Pilot Mounting Bracket	004728F	004728F	004728F	004728F	004728F	004728F	004728F
5-P	Ignition Wire IID	016514F	016514F	016514F	016514F	016514F	016514F	016514F
6-P	Pilot Tube (Specify Length)	400013	400013	400013	400013	400013	400013	400013
7-P	High Tension Wire	002663B	002663B	002663B	002663B	002663B	002663B	002663B
R	REFRACTORY							
1-R	Refractory Kit	001002F	001003F	001004F	001005F	001006F	001511F	001512F
2-R	Refractory Retainer Kit	000987F	000988F	000989F	000990F	000991F	001518F	001519F
S	SHEET METAL							
1-S	Jacket Top (Indoor)	002293F	002294F	002295F	002296F	002297F	002298F	002299F
2-S	Flat Top Assy. (Outdoor)	002312F	002313F	002314F	002315F	002316F	002317F	002318F
3-S	Flue Collector (Indoor)	002248F	002249F	002249F	002250F	002251F	002252F	002253F
4-S	Flue Collector (Outdoor)	002258F	002259F	002260F	002261F	002262F	002263F	002264F
5-S	Door Assy. Left (Indoor)	002265F	002266F	002267F	002268F	002269F	002270F	002271F
	Door Assy. Left (Outdoor)	002279F	002280F	002281F	002282F	002283F	002284F	002285F
	Door Assy. w/Side Latch Brackets (Indoor)*	005337F	005338F	005339F	005340F	005341F	005342F	005343F
6-S	Door Assy. Right (Indoor)	002272F	002273F	002274F	002275F	002276F	002277F	002278F
	Door Assy. Right (Outdoor)	002286F	002287F	002288F	002289F	002290F	002291F	002292F
	Door Assy. w/Side Latch Brackets (Outdoor)*	005330F	005331F	005332F	005333F	005334F	005335F	005336F
7-S	Access Panel Group 2" ("H" UG)	002300F	002300F	002300F	002300F	002300F	002300F	002300F
	Access Panel Group 2 1/2" w/ Pump Header	002304F	002304F	002304F	002304F	002304F	002304F	002304F
	Access Panel Group 2 1/2" w/o Pump	002303F	002303F	002303F	002303F	002303F	002303F	002303F
8-S	J-Box Sheetmetal	002668F	002668F	002668F	002668F	002668F	002668F	002668F
9-S	Pump Cover Rear Mounted (Not Shown)	002671F	002671F	002671F	002671F	002671F	002671F	002671F
	Pump Cover Inline Mounted (Not Shown)	012987F	012987F	012987F	012987F	012987F	012987F	012987F
10-S	Low Water Cut Off Control Cover	016629F	016629F	016629F	016629F	016629F	016629F	016629F
V	VENTING							
1-V	Stackless Top Kit (Outdoor)	002305F	002306F	002307F	002308F	002309F	002310F	002311F
2-V	Draft Hood (Indoor)	006484	006485	006485	006486	006486	006486	006487

* FOR UNITS BUILT 1995 THRU CURRENT



Registered Quality Management System

www.raypak.com