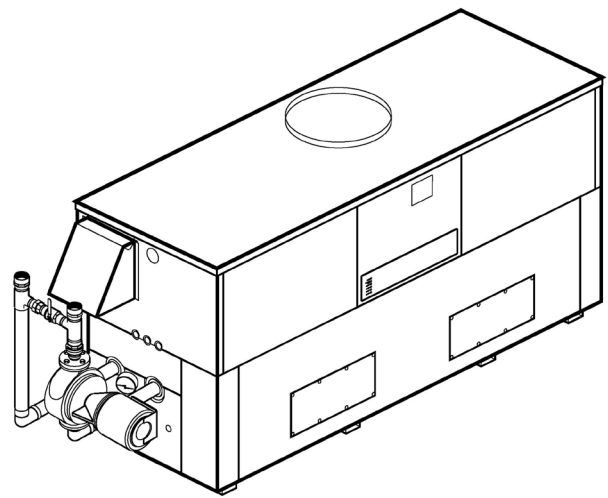




**APPROVED Product Submittal for Hi Delta®- Type P Pool Heater**  
**Models 992C-2342C**

Date: \_\_\_\_\_ Job: \_\_\_\_\_ Location: \_\_\_\_\_  
Equipment Tags: \_\_\_\_\_ Engineer: \_\_\_\_\_ Contractor: \_\_\_\_\_  
Model: \_\_\_\_\_ Notes: \_\_\_\_\_  
Prepared by: \_\_\_\_\_ Indoor  Outdoor  Gas Type: Natural Gas  Propane

- 100% Factory fire-tested
- Thermal Efficiency: 83.1%
- Versa IC® Controller with LCD display
- Maximum Setpoint: 106°F (41.1°C) (104°F/40°C Default)
- Maximum outlet temperature: 160°F (71.1°C)
- Minimum non-condensing inlet temperature: 105°F (40.6°C)
- Thermal shock proof heat exchanger
- Limited 20-year thermal shock warranty
- Limited 5-Year heat exchanger warranty
- Full safety diagnostics with fault history
- PolyTuf Powder-coated cabinet
- No combustible floor shield required
- Fan-assisted
- Patented burner security blanket
- SCAQMD Rule 1146.2 certified, Low NOx < 20 ppm (992C-2002C)
- Cascade up to 8 heaters – no external sequencer required
- Proudly assembled in the USA



H-bypass shown



**Features and Options**

**Heat Exchanger**

**Headers**

- Bronze headers
- ASME HLW Stamped; 160 PSIG MAWP
- National Board registered
- Cupronickel fin tubing
- ASME steel tube sheet
- Silicone high-temp. O-Rings
- 125 PSIG ASME pressure relief valve
- T&P Gauge
- Water connections
  - Left hand (standard)
  - A-6 Right hand
- Bronze pump, 1/2 HP, 120V, 60Hz
- Non-ferrous pool bypass assembly

**Power**

- 120V, 60Hz, 1Ø Power supply
- 120/24V, 60Hz Transformer

**Control**

- VERSA IC® built-in controller
- 100% Shut-Off/Lockout
- Hot surface ignition (HSI)
- Cascade up to 8 heaters
- Water temperature sensors 10kΩ (2 mtd, 1 loose, 1 well)
- Ignition module
  - 3-Try (standard)
  - C-6 Single-try (optional)
- Remote flame sensor
- High limit, manual-reset, fixed 200°F (93.3°C)
- On/Off power switch
- Flow switch
- Blocked vent pressure switch
- Combustion air proving switch
- Programmable pump time delays
  - Heater
  - Recirculation
  - Enable/Disable
- LCD Display; status, fault and diagnostics

- Modbus RTU BMS Port (Up to 115K baud rate, see Manual 241515)
  - B-85 BMS Gateway – BACnet MS/TP BACnet IP, N2 Metasys or Modbus TCP
  - B-86 Gateway - LonWorks
- Cold Water Protection Function
  - CWR Variable-Speed Pump
  - H-Bypass (standard)

**Gas Train**

- Combination Valves
- On/Off Firing
- Fuel
  - Natural Gas
  - Propane Gas (HD-5) (Excludes 2002C)
- Design Certified ANSI Z21.56/CSA 4.7

**Construction**

- Indoor/Outdoor
- Front controls enclosed
- PolyTuf powder-coat finish
- CSA low-lead certified (≤ .25% Lead)

**Venting**

- Vent Location
  - Top – Standard
  - D-14 Rear flue exhaust tee
- Vent Termination
  - D-11 Vent termination, outdoor
  - D-15 Vent termination, sidewall (cat III)
  - D-20 Vent termination, vertical, (cat I)
- Combustion Air
  - D-16 Air intake elbow
  - D-17 In-Line filter kit (TruSeal only)
  - D-21 TruSeal® direct vent air intake (Factory-installed)
    - Left side (standard)
    - Right side (optional)
  - D-22 TruSeal® direct vent air intake (Field-installed)
    - Left Side (standard)
    - Right Side (optional)

**Options**

- E-5 Alarm with 4" bell
  - mtd  loose
- F-10 Low water cut-off, remote probe
- G-2 Vent valve combo
- S-1 Low gas pressure switch, manual
- I-14 High limit, auto-reset, 180°F max
- I-20 High limit, manual-reset, 180°F max
- P-42 CWR controls, mtd
- P-43 CWR controls, loose
- P-47 Injector pump flange kit
- S-2 High gas pressure switch, manual
- X-1 SureRack® Kit (lower unit requires D-14 and manifold modification)
- X-2 SureRack Add-On (lower unit requires D-14 and manifold modification)
- X-3 SureRack restraint brackets

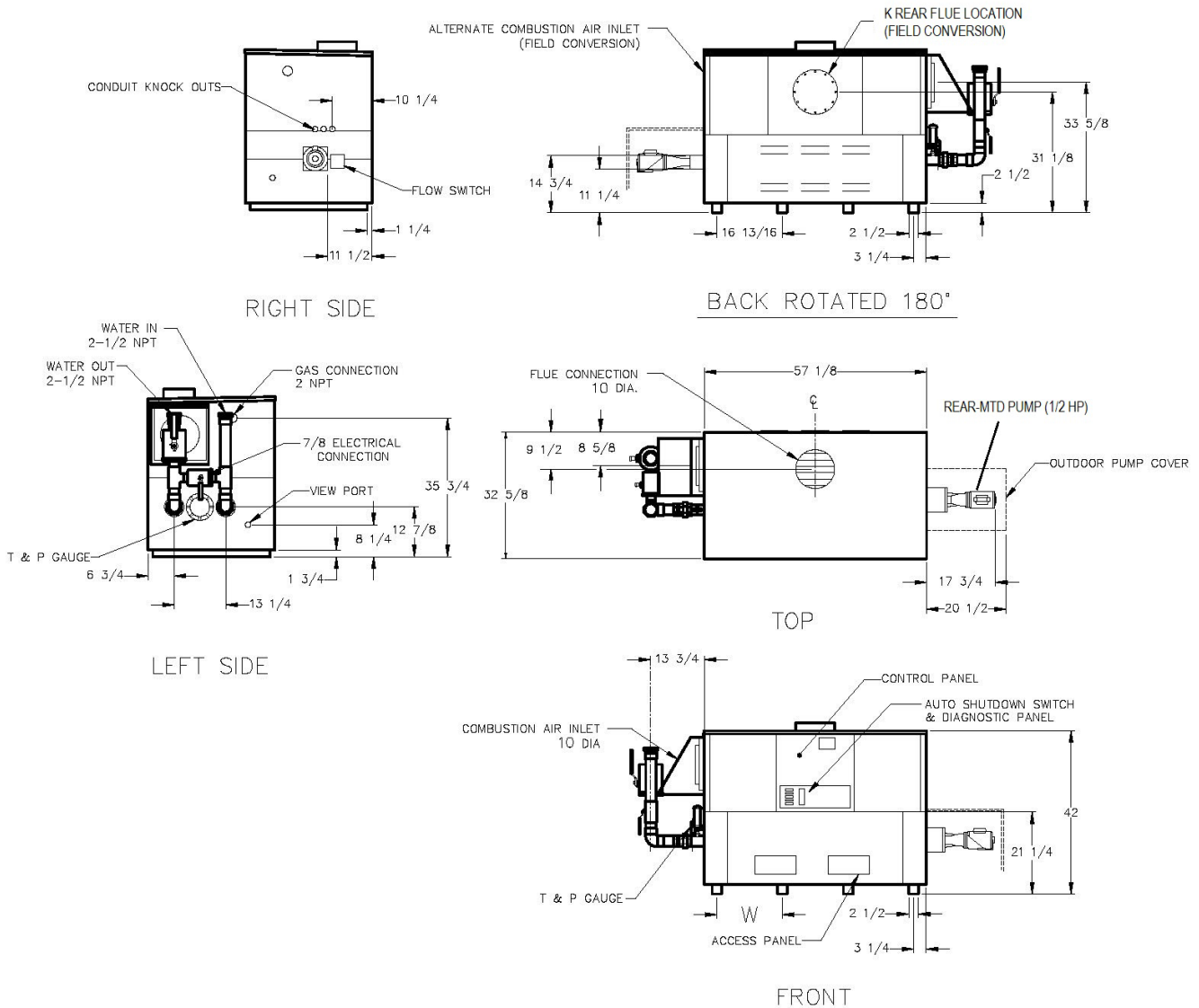
**Additional Options or Accessories**

\_\_\_\_\_

**Multi-Boiler Temperature Controllers**

- B-36 TempTracker Mod+ Hybrid (1-4 Heaters)
- B-37 TempTracker Mod+ Hybrid (5-10 Heaters)
- B-38 TempTracker Mod+ Hybrid (11-16 Heaters)
- B-39\* EMS 4-20 mA Remote setpoint interface module
- B-62\* BACnet MS/TP Interface (\*requires B-36 to B-38)

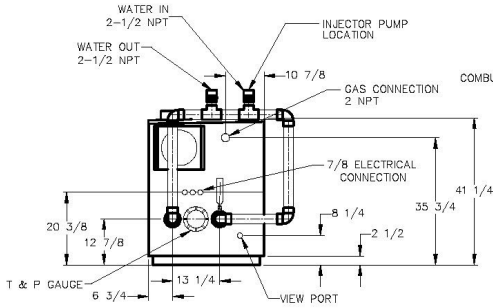
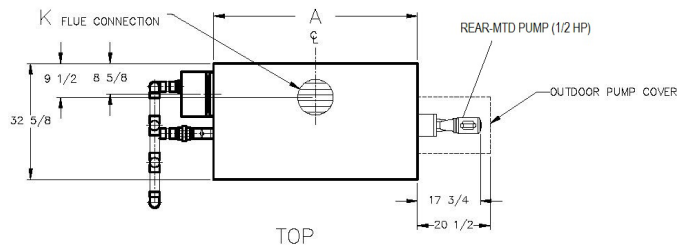
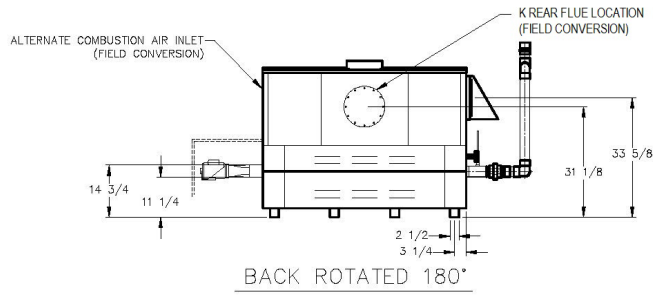
Models 992C-1262C (H-Bypass Option)



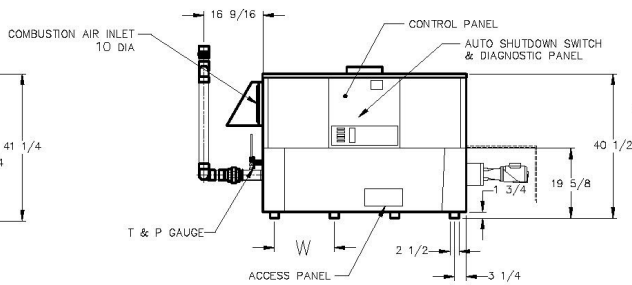
Model	MAX FLOW		
	GPM (L/min)	ΔP (FT WC)	ΔT °F (°C)
<input type="checkbox"/> P 992C	132 (500)	14 (4.3)	13 (7.2)
<input type="checkbox"/> P 1262C	132 (500)	15.5 (4.7)	16 (8.8)

SPECIFICATIONS							
Model	Input	Output	A Width In. (mm)	Flue Collar K In. (mm)	W In. (mm)	Amp. Draw (W/ Pump)	Ship Weight Lbs. (Kg)
<input type="checkbox"/> P 992C	990 (290)	842 (247)	57-1/8 (1451)	10 (254)	16-13/16 (427)	<16	1000 (453.5)
<input type="checkbox"/> P 1262C	1260 (369)	1071 (314)	68-1/2 (1740)	12 (305)	20-9/16 (522)	<16	1055 (478.5)

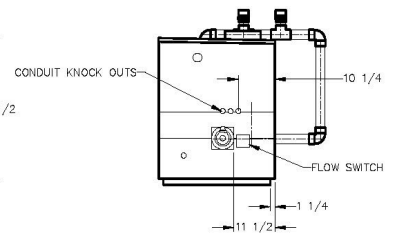
1. Ratings shown are for elevations up to 4,500 feet and for natural or propane gas. De-rate above 4,500 ft.



LEFT SIDE



FRONT

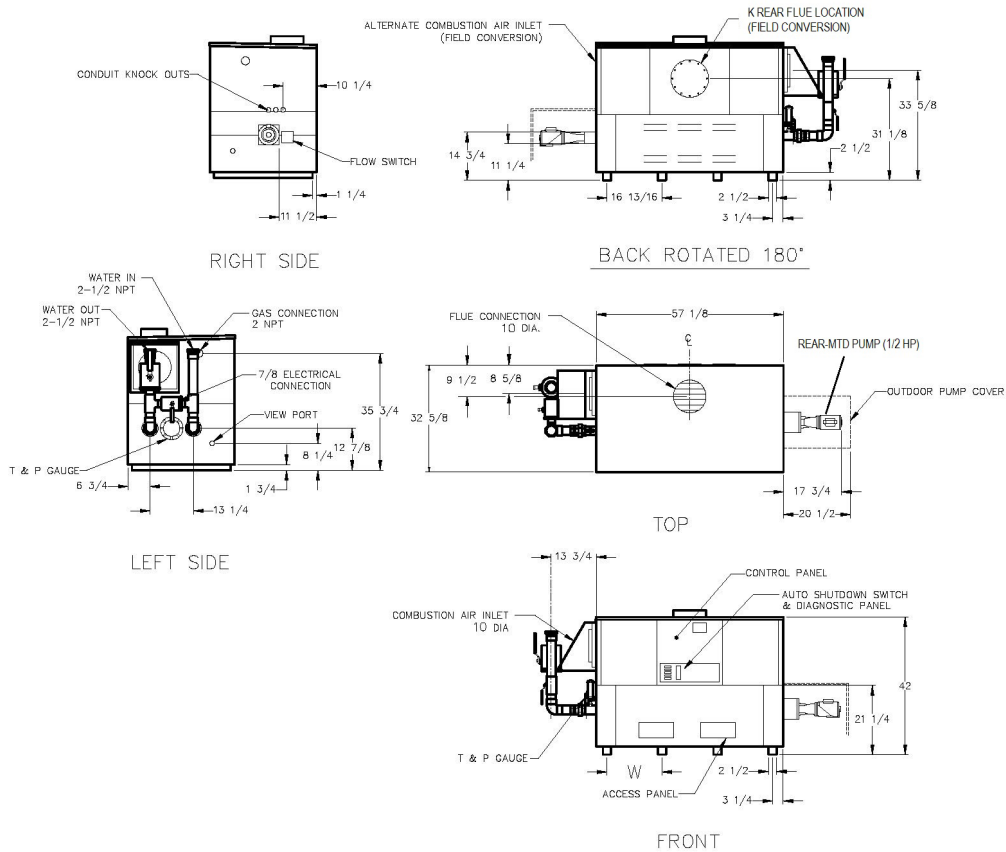


RIGHT SIDE

Model	MAX FLOW		
	GPM (L/min)	ΔP (FT WC)	ΔT °F (°C)
<input type="checkbox"/> P 992C	132 (500)	14 (4.3)	13 (7.2)
<input type="checkbox"/> P 1262C	132 (500)	15.5 (4.7)	16 (8.8)

SPECIFICATIONS							
Model	Input	Output	A Width In. (mm)	Flue Collar K In. (mm)	W In. (mm)	Amp. Draw (w/Pump)	Ship Weight Lbs. (Kg)
<input type="checkbox"/> P 992C	990 (290)	842 (247)	57-1/8 (1451)	10 (254)	16-13/16 (427)	<16	1000 (453.5)
<input type="checkbox"/> P 1262C	1260 (369)	1071 (314)	68-1/2 (1740)	12 (305)	20-9/16 (522)	<16	1055 (478.5)

1. Ratings shown are for elevations up to 4,500 feet and for natural or propane gas. De-rate above 4,500 ft.

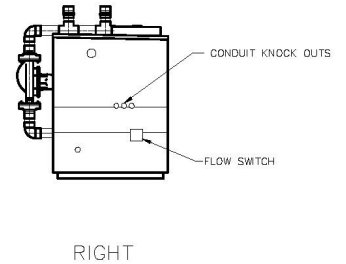
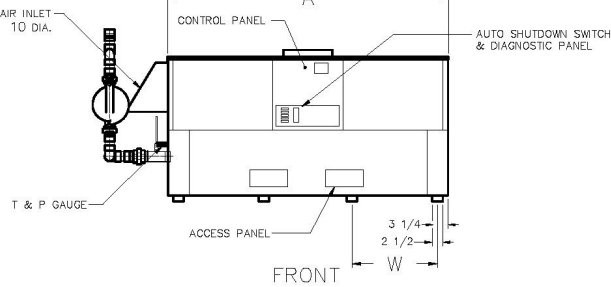
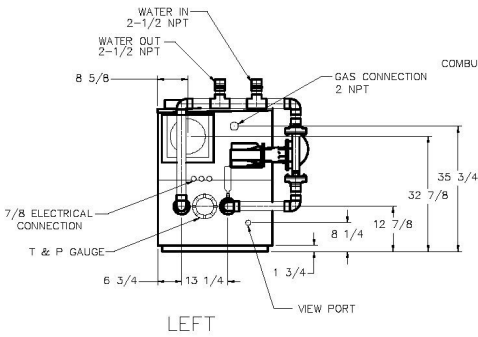
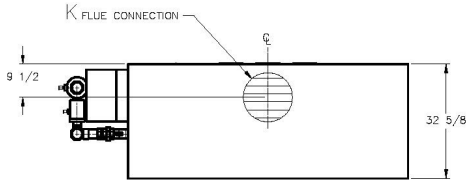
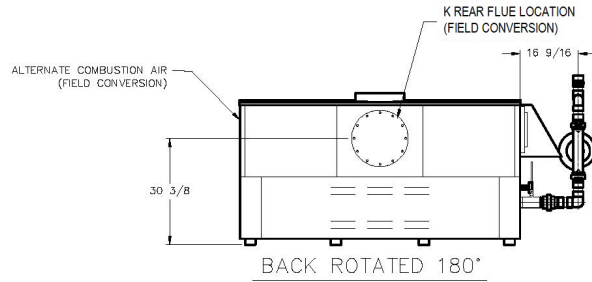


Model	MAX FLOW		
	GPM (L/min)	ΔP (FT WC)	ΔT °F (°C)
<input type="checkbox"/> P 1532C	132 (500)	16.5 (5)	20 (11.1)
<input type="checkbox"/> P 1802C	132 (500)	18.3 (5.6)	23 (12.7)
<input type="checkbox"/> P 2002C	132 (500)	19 (5.8)	26 (14.4)
<input type="checkbox"/> P 2072C	132 (500)	19 (5.8)	27 (14.9)
<input type="checkbox"/> P 2342C	132 (500)	21.4 (6.5)	30 (16.6)

SPECIFICATIONS								
Model	MBTU (kWh)		A Width In. (mm)	Flue Collar K In. (mm)	W In. (mm)	Amp. Draw		Ship Weight Lbs. (Kg)
	Input	Output				Amp. Draw (w/Pump)	Pump Hp.	
<input type="checkbox"/> P 1532C	1530 (448)	1301 (381)	79-7/8 (2029)	12 (305)	24-3/8 (619)	<12	11	1225 (555.6)
<input type="checkbox"/> P 1802C	1800 (528)	1530 (448)	91-1/8 (2315)	14 (356)	28-1/8 (714)	<12	11	1350 (612.2)
<input type="checkbox"/> P 2002C	1999 (586)	1699 (498)	102-1/2 (2604)	14 (356)	31-15/16 (811)	<12	14 <sup>1</sup>	1450 (657.6)
<input type="checkbox"/> P 2072C	2070 (607)	1760 (516)	102-1/2 (2604)	14 (356)	31-15/16 (811)	<12	14 <sup>1</sup>	1450 (657.6)
<input type="checkbox"/> P 2342C	2340 (685)	1989 (583)	113-7/8 (2892)	16 (406)	35-11/16 (906)	<12	21 <sup>1</sup>	1520 (689.3)

1. Requires a separate circuit breaker.  
 2. Ratings shown are for elevations up to 4,500 feet and for natural or propane gas. De-rate above 4,500 ft.

Models 1532C-2342C (Cold Water Run Option)



Model	MAX FLOW		
	GPM (L/min)	ΔP (FT WC)	ΔT °F (°C)
<input type="checkbox"/> P 1532C	132 (500)	16.5 (5)	20 (11.1)
<input type="checkbox"/> P 1802C	132 (500)	18.3 (5.6)	23 (12.7)
<input type="checkbox"/> P 2002C	132 (500)	19 (5.8)	26 (14.4)
<input type="checkbox"/> P 2072C	132 (500)	19 (5.8)	27 (14.9)
<input type="checkbox"/> P 2342C	132 (500)	21.4 (6.5)	30 (16.6)

SPECIFICATIONS								
Model	MBTU (kWh)		A Width In. (mm)	Flue Collar K In. (mm)	W In. (mm)	Amp. Draw		Ship Weight Lbs. (Kg)
	Input	Output				Amp. Draw (w/Pump)	Pump Hp.	
<input type="checkbox"/> P 1532C	1530 (448)	1301 (381)	79-7/8 (2029)	12 (305)	24-3/8 (619)	<12	11	1225 (555.6)
<input type="checkbox"/> P 1802C	1800 (528)	1530 (448)	91-1/8 (2315)	14 (356)	28-1/8 (714)	<12	11	1350 (612.2)
<input type="checkbox"/> P 2002C	1999 (586)	1699 (498)	102-1/2 (2604)	14 (356)	31-15/16 (811)	<12	14 <sup>2</sup>	1450 (657.6)
<input type="checkbox"/> P 2072C	2070 (607)	1760 (516)	102-1/2 (2604)	14 (356)	31-15/16 (811)	<12	14 <sup>2</sup>	1450 (657.6)
<input type="checkbox"/> P 2342C	2340 (685)	1989 (583)	113-7/8 (2892)	16 (406)	35-11/16 (906)	<12	21 <sup>2</sup>	1520 (689.3)

1. Separate 120 VAC or 240 VAC 1Ø power required for Cold Water Run option.
2. Requires separate circuit breaker.
3. Ratings shown are for elevations up to 4,500 ft and for natural or propane gas. De-rate above 4,500 ft.