

**COMMERCIAL and POOL
MODELS: 992C THRU 2342C**

**CATALOG NO. 9300.763
Effective: 10-15-18
Replaces: 12-01-17**

RAYPAK ILLUSTRATED PARTS LIST

MODEL SIZES: 992C, 1262C, 1532C, 1802C, 2002C, 2072C & 2342C

MODEL TYPES: HI DELTA H, WH & P

DATES OF MANUFACTURE: 02-01-17 THROUGH CURRENT

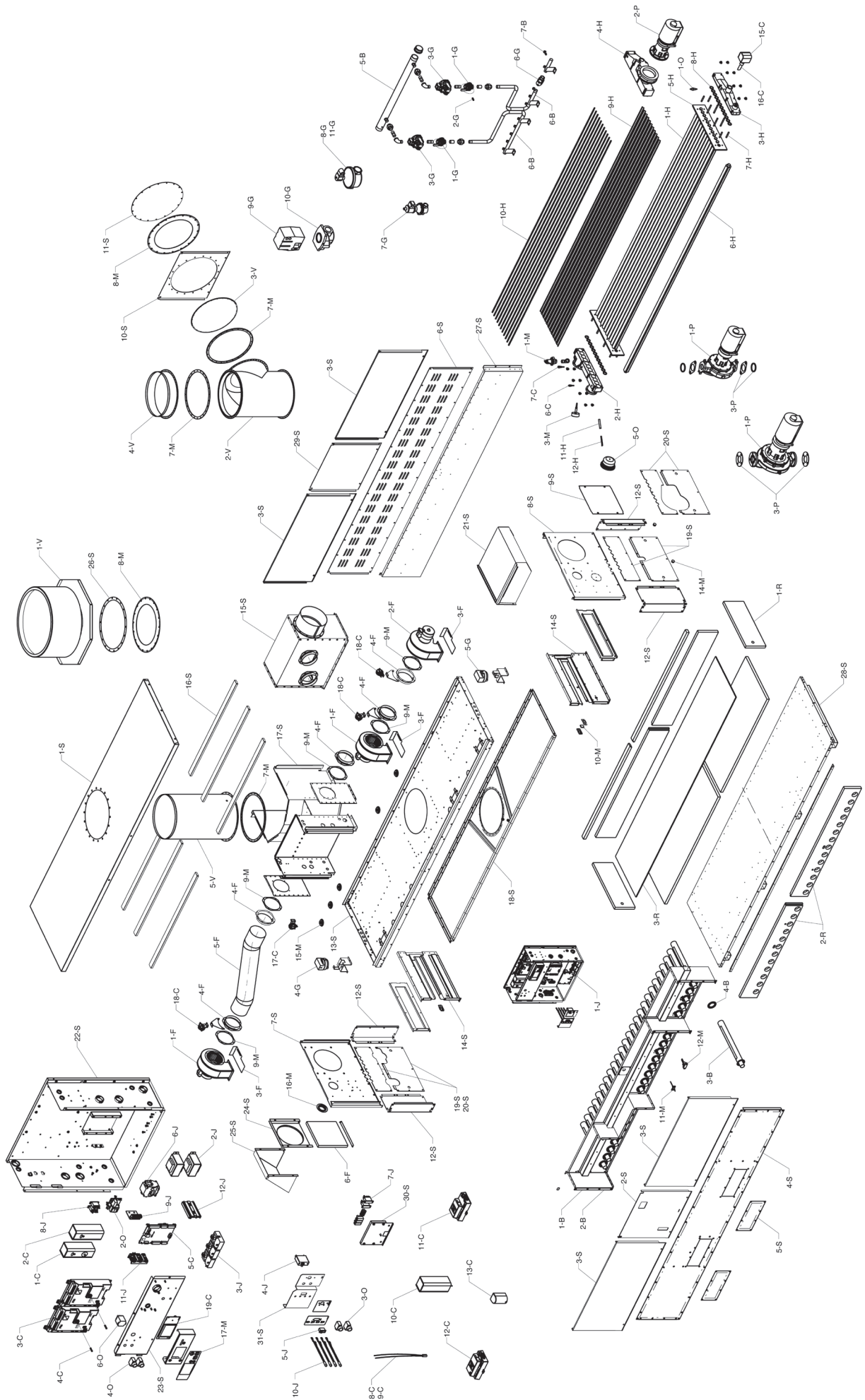
THE PARTS LISTED ARE FOR STANDARD EQUIPMENT FOR THIS MODEL TYPE. RAYPAK RESERVES THE RIGHT TO SUBSTITUTE, DELETE OR CHANGE ANY PART WITHOUT NOTIFICATION. THE ADDITION OF OPTIONS MAY ALSO CHANGE SOME OF THE PARTS. ORDER REPLACEMENT PARTS FROM ACTUAL HEATER COMPONENTS.

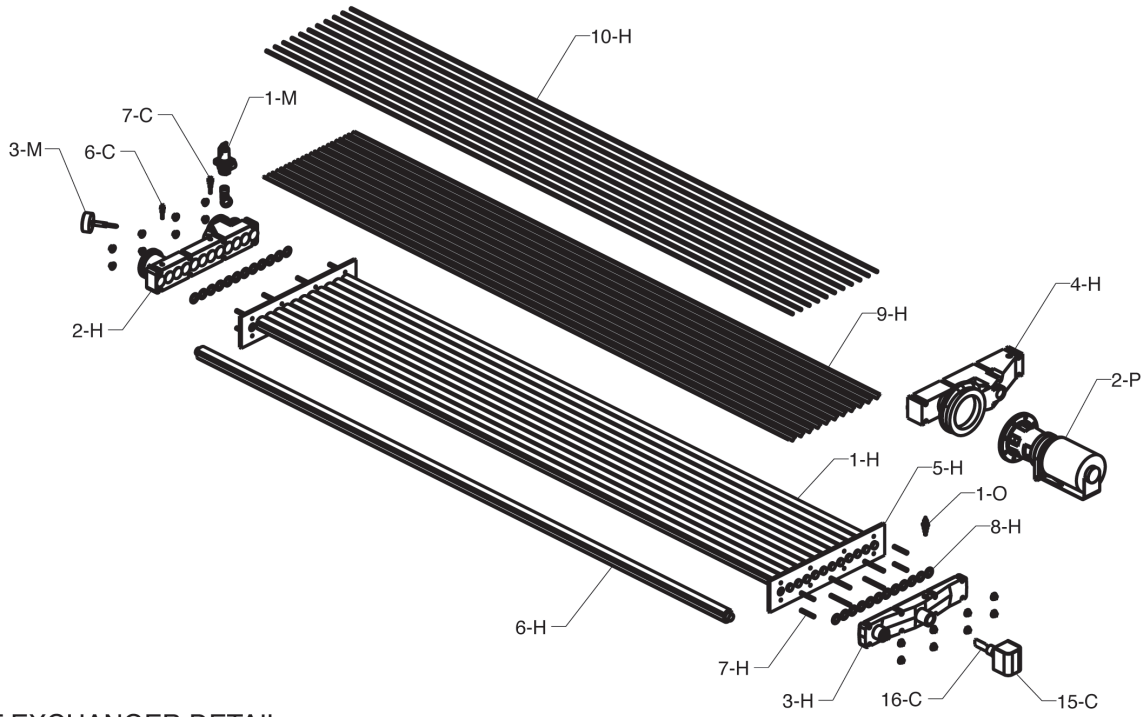


FOR DETAILED INSTRUCTIONS, SEE "HOW TO USE YOUR RAYPAK ILLUSTRATED PARTS LIST",
CATALOG NO. 9001.10

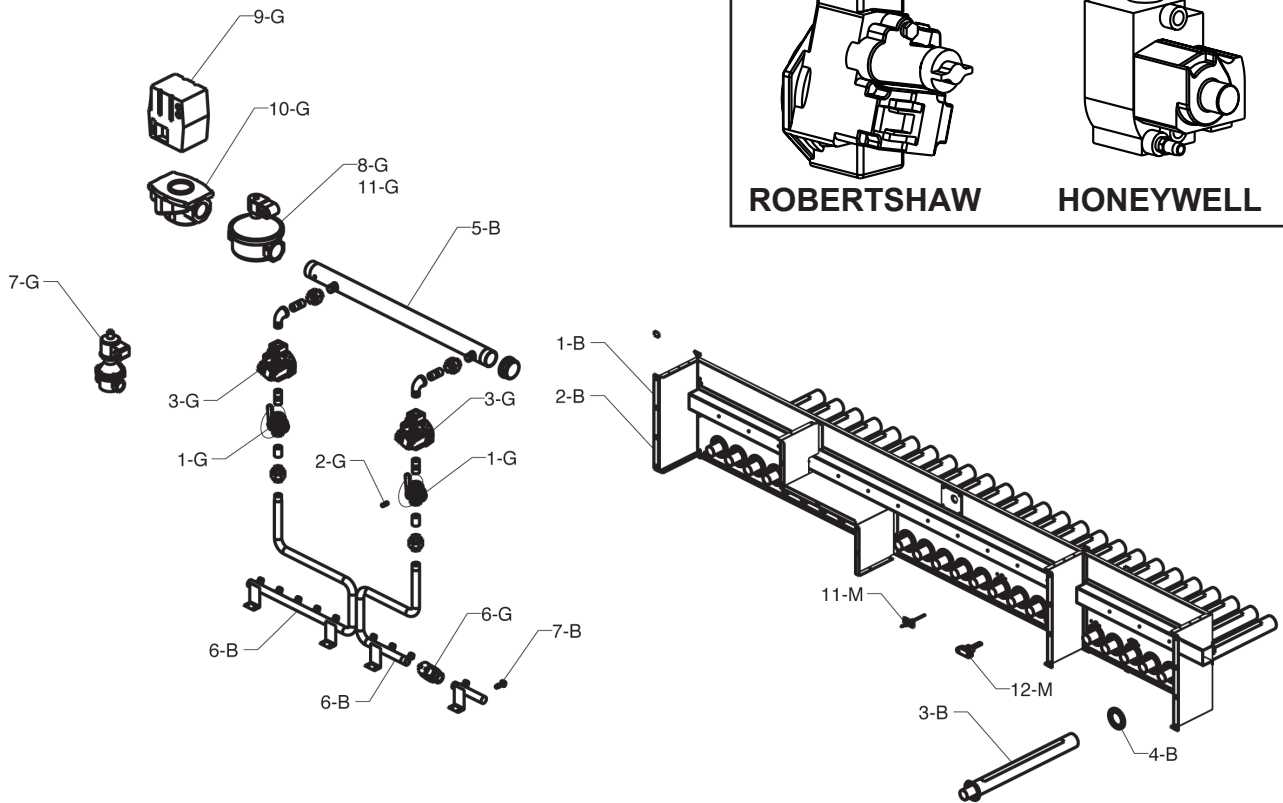
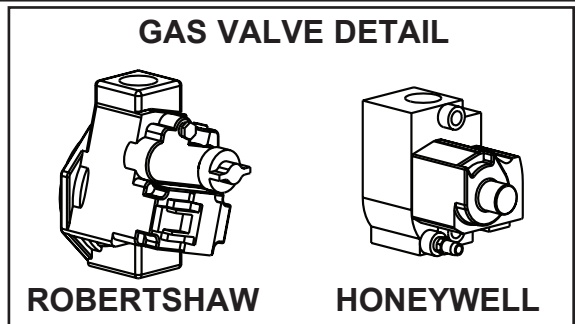


Raypak, Inc., 2151 Eastman Avenue, Oxnard, CA 93030
(805) 278-5300 Fax (800) 872-9725
Litho In U.S.A.
P/N 241686

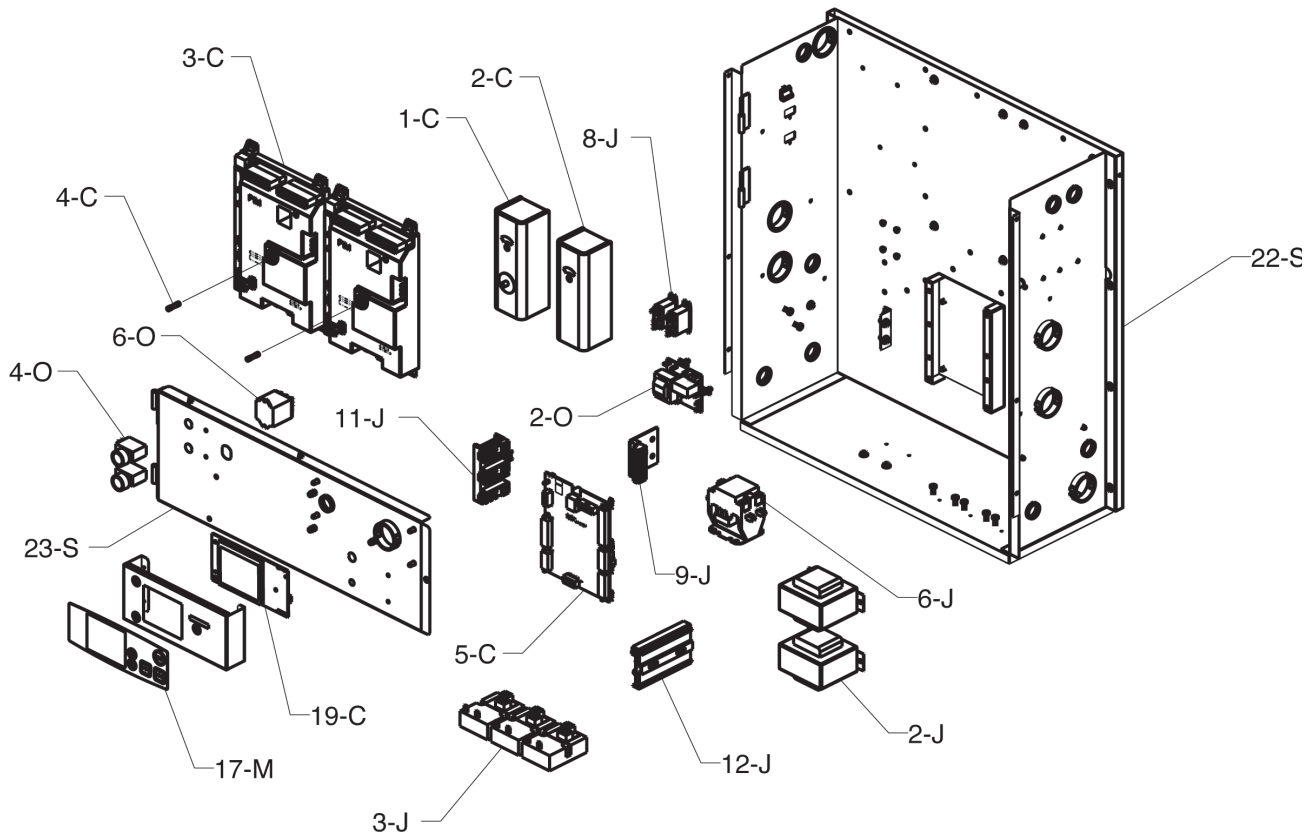




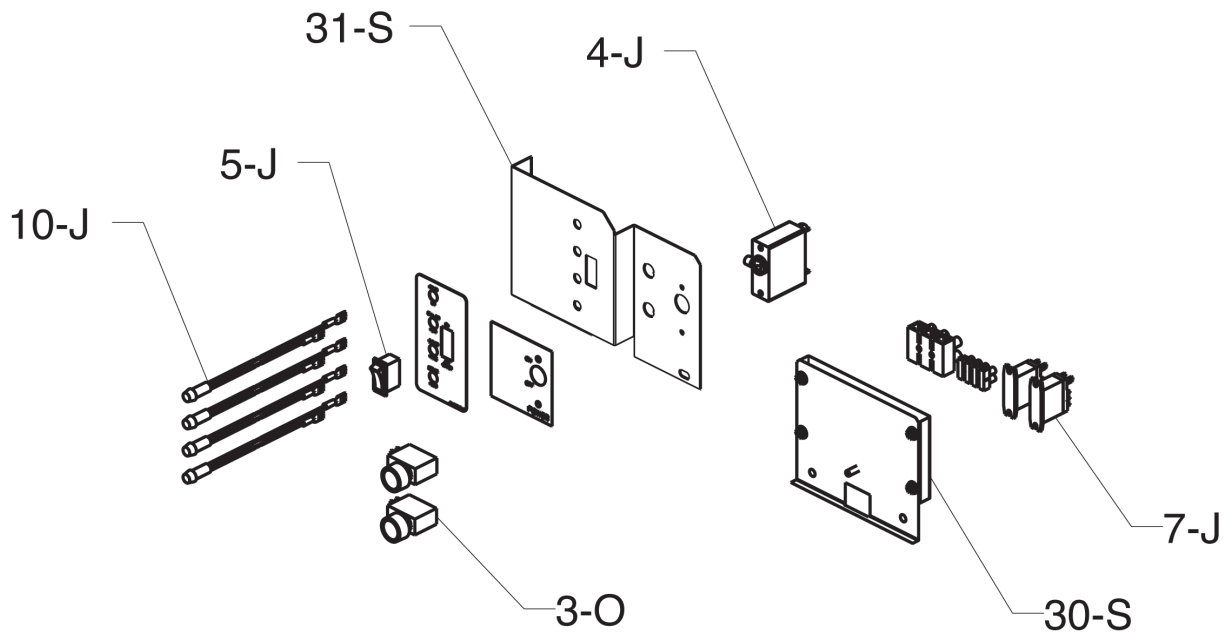
HEAT EXCHANGER DETAIL



BURNER ASSEMBLY DETAIL



CONTROL BOX DETAIL



FRONT SWITCH DETAIL

CALL OUT	DESCRIPTION	992C	1262C	1532C	1802C	2002C	2072C	2342C	
BURNER ASSEMBLY									
1-B	Burner Assy w/Burners	009598F	009599F	009600F	009601F	009602F	009602F	009603F	
2-B	Burner Mounting Assy	009604F	009605F	009606F	009607F	009608F	009608F	009609F	
3-B	Burner	007617F/ 11	007617F/ 14	007617F/ 17	007617F/ 20	007617F/ 23	007617F/ 23	007617F/ 26	
4-B	Seal Gasket	007443F	007443F	007443F	007443F	007443F	007443F	007443F	
5-B	Manifold Upper	009610F	009611F	009612F	009613F	009614F	009614F	009615F	
6-B	Manifold Lower	009616F	009617F	008972F	008973F	008974F	008974F	008975F	
7-B	Burner Orifice * (All Elevations)								
	Natural Gas # 28 (Low Gas Pressure.)	351641/ 11	351641/ 14	351641/ 17	351641/ 20	N/A	351641/ 23	351641/ 26	
	Natural Gas # 33	351444 / 11	351444 / 14	351444 / 17	351444 / 20	N/A	351444 / 23	351444 / 26	
	Natural Gas # 35	N/A	N/A	N/A	N/A	351618 / 23	N/A	N/A	
	Propane Gas # 52	351445 / 11	351445 / 14	351445 / 17	351445 / 20	N/A	351445 / 23	351445 / 26	
CONTROLS									
1-C	Manual Reset Adjustable High Limit 240°F Max	007144F	007144F	007144F	007144F	007144F	007144F	007144F	
	Manual Reset Adjustable High Limit 200°F Max	008081F	008081F	008081F	008081F	008081F	008081F	008081F	
	Manual Reset Adjustable High Limit 180°F Max	009554F	009554F	009554F	009554F	009554F	009554F	009554F	
2-C	Auto Reset Adjustable High Limit 240°F Max	007141F	007141F	007141F	007141F	007141F	007141F	007141F	
	Auto Reset Adjustable High Limit 180°F Max	006445F	006445F	006445F	006445F	006445F	006445F	006445F	
	Auto Reset Adjustable High Limit 200°F Max	012546F	012546F	012546F	012546F	012546F	012546F	012546F	
3-C	PIM (Platform Ignition Module) Multi Try	014324F	014324F	015997F	015997F	015997F	015997F	015997F	
	PIM (Platform Ignition Module) Single Try CSD-1	014325F	014325F	015998F	015998F	015998F	015998F	015998F	
4-C	Fuse 5 Amp (Fast Acting)	013971F	013971F	013971F	013971F	013971F	013971F	013971F	
5-C	PC Board VERSA IC	013935F	013935F	013935F	013935F	013935F	013935F	013935F	
6-C	Inlet Sensor (2 Wire)	013175F	013175F	013175F	013175F	013175F	013175F	013175F	
7-C	Outlet/Limit Sensor (4 Wire)	013932F	013932F	013932F	013932F	013932F	013932F	013932F	
8-C	System Water Sensor 10K	010787F	010787F	010787F	010787F	010787F	010787F	010787F	
9-C	Indirect DHW Sensor 10K	010787F	010787F	010787F	010787F	010787F	010787F	010787F	
10-C	Indirect Tank Aquastat Control B-65	007148F	007148F	007148F	007148F	007148F	007148F	007148F	
11-C	Gateway BACnet Interface Module B-85	016617F	016617F	016617F	016617F	016617F	016617F	016617F	
12-C	Gateway LonWorks Interface Module B-86	016618F	016618F	016618F	016618F	016618F	016618F	016618F	
13-C	Sensor Outdoor Air B-32	010786F	010786F	010786F	010786F	010786F	010786F	010786F	
15-C	Flow Switch	007142F	007142F	007142F	007142F	007142F	007142F	007142F	
16-C	Flow Switch Paddle	010026F	010026F	010026F	010026F	010026F	010026F	010026F	
17-C	Switch Air Pressure (Blocked Vent)	007158F	007158F	007158F	007158F	007158F	007158F	007158F	
18-C	Switch Air Pressure Differential (Blower) (Natural Gas Heaters)	008171F	008171F	008171F	008171F	008171F	008171F	008171F	
	Switch Air Pressure Differential (Blower) (Propane Gas Heaters)	017175F	017175F	017175F	017175F	017175F	017175F	017175F	
19-C	LCD Display PC Board	013939F	013939F	013939F	013939F	013939F	013939F	013939F	
FAN									
1-F	Blower Combustion Air (Left Hand)	007413F	007413F	007413F	007413F	007413F	007413F	007413F	
2-F	Blower Combustion Air (Right Hand)	007414F	007414F	007414F	007414F	007414F	007414F	007414F	
3-F	Air Shutter	009618F	009618F	009618F	009618F	009618F	009618F	009618F	
4-F	Intake Blower Flange 6" (Truseal)	009697F	009697F	009697F	009697F	009697F	009697F	009697F	
	Intake Blower Flange 4" (Truseal)	011746F	N/A	N/A	N/A	N/A	011746F	011746F	
5-F	Hose Duct 6" (Truseal)	007420F	007420F	007420F	007420F	007420F	007420F	007420F	
	Hose Duct 4" (Truseal)	007419F	N/A	N/A	N/A	N/A	007419F	007419F	
6-F	Filter Media	008402F	008402F	008402F	008402F	008402F	008402F	008402F	
GAS VALVES **									
1-G	Valve Gas Manual A 3/4"	007421F	007421F	007421F	007421F	007421F	007421F	007421F	
	Valve Gas Manual A 1" (Low Gas Press.)	007189F	007189F	007189F	007189F	007189F	007189F	007189F	
2-G	Bleedle Valve 1/4"	007422F	007422F	007422F	007422F	007422F	007422F	007422F	
	Bleedle Valve 1/8"	007423F	007423F	007423F	007423F	007423F	007423F	007423F	
3-G	Gas Valve Nat 3/4" Robertshaw 601605	See Gas Valve Replacement Chart							007423F
	Gas Valve Pro 3/4" Robertshaw 601604								
	Gas Valve Nat 3/4" Honeywell 601561								
	Gas Valve Pro 3/4" Honeywell 601563								
	Gas Valve Nat 1" (G-20 Low Gas Pressure) Robertshaw 601784	011732F	011732F	011732F	011732F	011732F	011732F	011732F	
4-G	Switch Low Gas Pressure w/o Bracket	007187F	007187F	007187F	007187F	007187F	007187F	007187F	
5-G	Switch High Gas Pressure w/o Bracket (Optional)	007188F	007188F	007188F	007188F	007188F	007188F	007188F	
6-G	Solenoid Gas Valve	008407F	008407F	N/A	N/A	N/A	N/A	N/A	
7-G	Vent Valve (G-2 & M15 Vent Valve Option)	011914F	011914F	011914F	011914F	011914F	011914F	011914F	
8-G	Solenoid Safety Shut Off Valve (G-2 Vent Valve Option)	011911F	011911F	011911F	011911F	011911F	011911F	011911F	
9-G	Motorized Safety Shut Off Actuator M-1(Optional)	011908F	011908F	011908F	011908F	011908F	011908F	011908F	
10-G	Gas Valve Body M1(Optional)	014558F	014558F	014558F	014558F	014558F	014558F	014558F	
11-G	Solenoid Safety Shut Off Valve M-10 (Optional)	011911F	011911F	011911F	011911F	011911F	011911F	011911F	

* DO NOT re-orifice for elevations above 4500ft. Consult the factory for changes required for proper combustion at elevations above 4500ft.

**For units provided with flex gas option see Catalog 1000.58.

CALL OUT	DESCRIPTION	992C	1262C	1532C	1802C	2002C	2072C	2342C
H HEAT EXCHANGER								
1-H	Heat Exch Cast Iron	016551F	016552F	016553F	016554F	016555F	016555F	016556F
	Heat Exch Brass	016557F	016558F	016559F	016560F	016561F	016561F	016562F
	Heat Exch Cast Iron w/Pump Hdr	016563F	016564F	016565F	N/A	N/A	N/A	N/A
	Heat Exch Brass w/Pump Hdr	016566F	016567F	016568F	N/A	N/A	N/A	N/A
	Heat Exch Cast Iron Cupro Nickel	016569F	016570F	016571F	016572F	016573F	016573F	016574F
	Heat Exch Cast Iron Cupro Nickel with Steel Rod Baffles *	016410F	016411F	016412F	016413F	016414F	016414F	016415F
	Heat Exch Brass Cupro Nickel	016575F	016576F	016577F	016578F	016579F	016579F	016580F
	Heat Exch Brass Cupro Nickel with Steel Rod Baffles *	016333F	016334F	016335F	016336F	016337F	016337F	016338F
	Heat Exch Cast Iron w/Pump Hdr Cupro Nickel	016581F	016582F	016583F	N/A	N/A	N/A	N/A
	Heat Exch Cast Iron w/Pump Hdr Cupro Nickel & Steel Rods Baffles *	016422F	016423F	016424F	N/A	N/A	N/A	N/A
	Heat Exch Brass w/Pump Hdr Cupro Nickel	016584F	016585F	016586F	N/A	N/A	N/A	N/A
	Heat Exch Brass w/Pump Hdr Cupro Nickel & Steel Rods Baffles *	016345F	016346F	016347F	N/A	N/A	N/A	N/A
2-H	Inlet/Outlet Header Cast Iron	016587F	016587F	016587F	016587F	016587F	016587F	016587F
	Inlet/Outlet Header Brass	016588F	016588F	016588F	016588F	016588F	016588F	016588F
3-H	Return Header Cast Iron	007718F	007718F	007718F	007718F	007718F	007718F	007718F
	Return Header Brass	007719F	007719F	007719F	007719F	007719F	007719F	007719F
4-H	Return Pump Header Cast Iron	007720F	007720F	007720F	007720F	N/A	N/A	N/A
	Return Pump Header Brass	007721F	007721F	007721F	007721F	N/A	N/A	N/A
5-H	Tube Bundle	007722F	007723F	007724F	007725F	007726F	007726F	007727F
	Tube Bundle Cupro Nickel	007728F	007729F	007730F	007731F	007732F	007732F	007733F
	Tube Bundle Cupro Nickel with Steel Rod Baffles	016355F	016356F	016357F	016358F	016359F	016359F	016360F
6-H	Heat Exchange Tube	007734F	007735F	007736F	007737F	007738F	007738F	007739F
	Heat Exchange Tube Cupro Nickel	007740F	007741F	007742F	007743F	007744F	007744F	007745F
7-H	Stud Bolt Kit	007828F	007828F	007828F	007828F	007828F	007828F	007828F
	Stud Bolt Kit w/Pump Header	007829F	007829F	007829F	007829F	007829F	007829F	007829F
8-H	Header Gasket	007834F	007834F	007834F	007834F	007834F	007834F	007834F
9-H	Baffle Kit "WH" and "P" units only	007858F	007859F	007860F	007861F	007862F	007862F	007863F
10-H	Steel Rod Baffle Kit "WH" units only"	016321F	016322F	016323F	016324F	016325F	016325F	016326F
11-H	Sensor Well	007211F	007211F	007211F	007211F	007211F	007211F	007211F
12-H	Well Retaining Clip	300203	300203	300203	300203	300203	300203	300203
J CONTROL BOX								
1-J	Control Box	N/A	N/A	N/A	N/A	N/A	N/A	N/A
2-J	Transformer 100 VA	007494F	007494F	007494F	007494F	007494F	007494F	007494F
3-J	Time Delay Contactor	008921F	008921F	N/A	N/A	008921F	008921F	008921F
4-J	Automatic Shut Down Breaker Switch 30 AMP	007380F	007380F	007380F	007380F	007380F	007380F	007380F
5-J	On/Off Switch Rocker	006872F	006872F	006872F	006872F	006872F	006872F	006872F
6-J	Pump Contactor DPST 120vac	007906F	007906F	007906F	007906F	007906F	007906F	007906F
7-J	Pump Dry Contact Relay 120V	012126F	012126F	012126F	012126F	012126F	012126F	012126F
8-J	Interlock Relay 24V SPDT	N/A	N/A	009039F	009039F	009039F	009039F	009039F
9-J	PC Board Adapter Status Lights Wiring	014712F	014712F	014712F	014712F	014712F	014712F	014712F
10-J	Indicator Lamp	011848F	011848F	011848F	011848F	011848F	011848F	011848F
11-J	Terminal Block w / Ground Lug	008523F	008523F	008523F	008523F	008523F	008523F	008523F
12-J	Stage Control Sequencer 4-20mA	016589F	016590F	N/A	N/A	N/A	N/A	N/A
M MISCELLANEOUS								
1-M	PRV 30 PSI	007748F	007748F	007748F	007748F	008088F	008088F	008088F
	PRV 45 PSI	007221F	007751F	007751F	007752F	007752F	007752F	007752F
	PRV 60 PSI	007222F	007753F	007754F	007754F	007754F	007754F	008288F
	PRV 75 PSI	007223F	007756F	007756F	007756F	007757F	007757F	007757F
	PRV 125 PSI	007224F	007224F	007224F	007758F	007759F	007759F	007759F
	PRV 150 PSI	007225F	007225F	007225F	007225F	007225F	007225F	007225F
2-M	Delimiting Kit	052870F	052870F	052870F	052870F	052870F	052870F	052870F
3-M	T & P Gauge 0-90 PSI	007205F	007205F	007205F	007205F	007205F	007205F	007205F
	T & P Gauge 0-200 PSI	007399F	007399F	007399F	007399F	007399F	007399F	007399F
	T & P Gauge 0-230 PSI	014221F	014221F	014221F	014221F	014221F	014221F	014221F
4-M	RTV Sealant 2.8 oz	008924F	008924F	008924F	008924F	008924F	008924F	008924F
	RTV Sealant 10 oz	005755F	005755F	005755F	005755F	005755F	005755F	005755F
5-M	Sealant Tape (gray) Specify Length	800351	800351	800351	800351	800351	800351	800351
6-M	Fiberfrax Insulation 1" Wide	008406F	008406F	008406F	008405F	008405F	008405F	008405F
7-M	Flue Exhaust Tee Seal Gasket	009690F	009691F	009691F	009692F	009692F	009692F	009693F
8-M	Flue Exhaust Adapter Seal Gasket	009635F	009636F	009636F	009637F	009637F	009637F	009638F
9-M	Intake Air Seal Gaskets (Truseal)	010028F	010028F	010028F	010028F	010028F	010028F	010028F
10-M	Window Combustion Chamber	006947F	006947F	006947F	006947F	006947F	006947F	006947F
11-M	Flame Sensor	006535F	006535F	006535F	006535F	006535F	006535F	006535F
12-M	Igniter	007400F	007400F	007400F	007400F	007400F	007400F	007400F
13-M	Touch-up Paint							
	Green	750125	750125	750125	750125	750125	750125	750125
	Cool Dark Gray	750256	750256	750256	750256	750256	750256	750256
14-M	Sight Window Plug	008474F	008474F	008474F	008474F	008474F	008474F	008474F
15-M	Gas Manifold Grommet 3/4" NPT	010778F	010778F	010778F	010778F	010778F	010778F	010778F
16-M	Gas Manifold Grommet 2" NPT	010780F	010780F	010780F	010780F	010780F	010780F	010780F
17-M	Switch/Decal Membrane	013937F	013937F	013937F	013937F	013937F	013937F	013937F
O OPTIONS								
1-O	Remote Sensor (LWCO)	007228F	007228F	007228F	007228F	007228F	007228F	007228F
2-O	Control PC Board (LWCO)	007157F	007157F	007157F	007157F	007157F	007157F	007157F
3-O	Test / Reset Switch (LWCO)	005641F	005641F	005641F	005641F	005641F	005641F	005641F
4-O	Silencer/Reset Switch (Alarm)	005641F	005641F	005641F	005641F	005641F	005641F	005641F
5-O	Alarm Bell 3"	005642F	005642F	005642F	005642F	005642F	005642F	005642F
	Alarm Bell 4"	005643F	005643F	005643F	005643F	005643F	005643F	005643F
6-O	Relay 3PDT 24 VAC (Alarm)	014717F	014717F	014717F	014717F	014717F	014717F	014717F

* Product with steel rod baffles are for WH water heaters only and manufactured from 4/1/17

CALL OUT	DESCRIPTION	992C	1262C	1532C	1802C	2002C	2072C	2342C
P	PUMPS*							
1-P	Inline Pumps (H & WH) Bronze (Soft Water) Bronze (Medium Water) Bronze (Hard Water) Inline Pumps (H) Cast Iron (Soft Water /Standard) Cast Iron (Medium Water /Alternate 1) Cast Iron (Hard Water /Alternate 2)	007227F 011845F 007348F	007227F 007348F 007351F	011845F 007351F 007351F	007348F 007351F 007937F	007348F 007937F 007937F	007348F 007937F 007937F	007351F 007937F 007937F
2-P	Integral Return Header Mounted Pump (H & WH) 4.0 Impeller 4.25 Impeller 4.7 Impeller Pumps for (P) Pool Heaters Inline Pumps Integral Return Header Mounted Pump	009296F 004844F N/A N/A N/A	009296F N/A N/A N/A N/A	N/A N/A 004845F 007348F N/A	N/A N/A N/A 007348F N/A	N/A N/A N/A 007351F N/A	N/A N/A N/A 007351F N/A	N/A N/A N/A 007937F N/A
3-P	Pump Flange Gasket Taco 1600 Series Gasket Round (2 Bolt) Gasket Flat (2 Bolt) Gasket Flat (4 Bolt)	013423F 013423F N/A	013423F 013423F N/A	013423F 013423F N/A	013423F 013423F 014000F	013423F 013423F 014000F	013423F 013423F 014000F	013423F 013423F 014000F
R	REFRACTORY							
1-R	Refractory Kit (All Panels)	007760F	007761F	007762F	007763F	007764F	007764F	007765F
2-R	Refractory Front Panels	007766F	007767F	007768F	007769F	007770F	007770F	007771F
3-R	Refractory Blanket	009869F	009870F	009871F	009872F	009873F	009873F	009874F
S	SHEETMETAL							
1-S	Jacket Top	009629F	009630F	009631F	009632F	009633F	009633F	009634F
2-S	Upfront Control Panel w/LCD & Window	016591F	016591F	016591F	016591F	016591F	016591F	016591F
3-S	Upper Control Access Jacket Panel	009645F	009646F	009647F	009648F	009649F	009649F	009650F
4-S	Lower Front Jacket Panel	009651F	009652F	009653F	009654F	009655F	009655F	009656F
5-S	Access Panel Igniter/Sensor	016592F	016592F	016592F	016592F	016592F	016592F	016592F
6-S	Lower Rear Jacket Panel	009657F	009658F	009659F	009660F	009661F	009661F	009662F
7-S	Upper Left Side Jacket Panel	009663F	009663F	009663F	009663F	009663F	009663F	009663F
8-S	Upper Right Side Jacket Panel	009695F	009695F	009695F	009695F	009695F	009695F	009695F
9-S	Air Intake Cover Panel	009696F	009696F	009696F	009696F	009696F	009696F	009696F
10-S	Rear Flue Exhaust Cover Panel	009664F	009665F	009665F	009666F	009666F	009666F	009667F
11-S	Flue Exhaust Cover Panel	009713F	009714F	009714F	009715F	009715F	009715F	009716F
12-S	Lower Corner Supports Front and Rear	009668F	009668F	009668F	009668F	009668F	009668F	009668F
13-S	Center Support Panel	010237F	010238F	010239F	010240F	010241F	010241F	010243F
14-S	Left & Right Heat Exchanger Support	010244F	010244F	010244F	010244F	010244F	010244F	010244F
15-S	Intake Air Distribution Box (Truseal)	009669F	009669F	010789F	010789F	009670F	009670F	009670F
16-S	Support Horizontal	009671F	009672F	009673F	009674F	009675F	009675F	009676F
17-S	Support Assy Controls and Flue Exhaust	009677F	009677F	009677F	009677F	009677F	009677F	009677F
18-S	Flue Collector Top	009678F	009679F	009680F	009681F	009682F	009682F	009683F
19-S	Access Panel	009684F	009684F	009684F	009684F	009684F	009684F	009684F
20-S	Access Panel w/Pump	009685F	009685F	009685F	009685F	009685F	009685F	009685F
21-S	Cover for Integral Return Header Mounted Pump	002671F	002671F	002671F	002671F	002671F	002671F	002671F
22-S	Control Box Sheetmetal	016593F	016593F	016593F	016593F	016593F	016593F	016593F
23-S	Field Wiring/Display Mounting Panel	016594F	016594F	016594F	016594F	016594F	016594F	016594F
24-S	Filter Mounting Panel	009699F	009699F	009699F	009699F	009699F	009699F	009699F
25-S	Intake Air Vent Hood	010747F	010747F	010747F	010747F	010747F	010747F	010747F
26-S	Flue Exhaust Gasket Retainer	010032F	010033F	010033F	010034F	010034F	010034F	010035F
27-S	Combustion Chamber Rear Panel	010772F	010773F	010774F	010775F	010776F	010776F	010777F
28-S	Base Assy	010760F	010761F	010762F	010763F	010764F	010764F	010765F
29-S	Rear Center Cover Panel	011859F	011859F	011859F	011859F	011859F	011859F	011859F
30-S	Power In/Dry Contacts Panel	016484F	016484F	016484F	016484F	016484F	016484F	016484F
31-S	Switch Mtg Panel	012343F	012343F	012343F	012343F	012343F	012343F	012343F
V	VENTING							
1-V	Outdoor Stack	014552F	014553F	014553F	014649F	014649F	014649F	015447F
2-V	Flue Exhaust Tee	009701F	009702F	009702F	009703F	009703F	009703F	009704F
3-V	Flue Exhaust Tee Cap	009705F	009706F	009706F	009707F	009707F	009707F	009708F
4-V	Flue Exhaust Adapter	009709F	009710F	009710F	009711F	009711F	009711F	009712F
5-V	Flue Exhaust Straight Pipe	011854F	011855F	011855F	011856F	011856F	011856F	011857F

* For individual pump parts see separate pump parts IPL 9300.100

CALL OUT	DESCRIPTION	992C	1262C	1532C	1802C	2002C	2072C	2342C
W	WIRING							
1-W	Wire Harnesses							
	Diagnostic Panel Ribbon Cable 16 PIN	016485F	016485F	016485F	016485F	016485F	016485F	016485F
	Diagnostic Panel Ribbon Cable 10 PIN	016486F	016486F	016486F	016486F	016486F	016486F	016486F
	Bell & Alarm Wire Harness	016487F	016487F	016630F	016630F	016630F	016630F	016630F
	Gas Valve Wire Harness (Honeywell)	015896F	015896F	015896F	015896F	015896F	015896F	015896F
	Gas Valve /Safety Board 24V Wire Harness	016595F	016596F	016597F	016597F	016598F	016598F	016598F
	Gas Valve /Safety Board 24V Left Side Wire Harness	016599F	016600F	016600F	016600F	016601F	016601F	016601F
	Gas Valve /Safety Board 24V Right Side Wire Harness	016602F	016602F	016603F	016603F	016604F	016604F	016604F
	PIM HSI/Blower Wire Harness	016605F	016605F	016606F	016606F	016607F	016607F	016607F
	PIM HSI/Blower Left Side Wire Harness	016608F	016608F	016608F	016608F	016609F	016609F	016609F
	PIM HSI/Blower Right Side Wire Harness	N/A	N/A	016610F	016610F	016611F	016611F	016611F
	PIM 120V Power W/Pump Wire Harness	016497F	016497F	016497F	016497F	016497F	016497F	016497F
	PIM 120V Power No Pump Wire Harness	N/A	N/A	016612F	016612F	016612F	016612F	016612F
	PIM to Pim Wire Harness	N/A	N/A	016613F	016613F	016613F	016613F	016613F
	Interlock Relay Wire Harness	N/A	N/A	016614F	016614F	016614F	016614F	016614F
	PIM 1 Power 24V Wire Harness	016498F	016498F	016498F	016498F	016498F	016498F	016498F
	PIM 2 Power 24V Wire Harness	N/A	N/A	016615F	016615F	016615F	016615F	016615F
	Power In Wire Harness	016499F	016499F	016499F	016499F	016499F	016499F	016499F
	In/Out Sensor J-Box Wire Harness	016500F	016500F	016500F	016500F	016500F	016500F	016500F
	In/Out Sensor Cabinet Wire Harness	016502F	016502F	016502F	016502F	016502F	016502F	016502F
	Control Box 120V Wire Harness	016503F	016503F	016503F	016503F	016503F	016503F	016503F
	Versa IC Communication Cable	015556F	015556F	015556F	015556F	015556F	015556F	015556F
	Heater ID Wire Harness	016504F	016504F	016504F	016504F	016504F	016504F	016504F
	Field Wiring Terminal Block 1 Wire Harness	016505F	016505F	016505F	016505F	016505F	016505F	016505F
	Field Wiring Terminal Block 2 Wire Harness	016506F	016506F	016506F	016506F	016506F	016506F	016506F
	Control Signal Splitter Wire Harness	016507F	016507F	016507F	016507F	016507F	016507F	016507F
	High Limit Manual Adjustable Wire Harness	016508F	016508F	016508F	016508F	016508F	016508F	016508F
	High Limit Auto Adjustable Wire Harness	016509F	016509F	016509F	016509F	016509F	016509F	016509F
	Pump Power 120V Wire Harness	016510F	016510F	N/A	N/A	N/A	N/A	N/A
	Low Water Cut Off Wire Harness	016511F	016511F	016511F	016511F	016511F	016511F	016511F
	High Gas Pressure Switch Wire Harness	016513F	016513F	016616F	016616F	016616F	016616F	016616F

Gas valve usage - NATURAL GAS

MODEL NUMBER	RISER				
	GV1	GV1A	GV2	GV3	GV4
992	007666F	N/A	007666F	See 6-G	N/A
1262	007666F	N/A	007424F	007666F	See 6-G
1532	007666F	N/A	007424F	007424F	007424F
1802	007666F	N/A	007424F	007666F	007666F
2002 & 2072	007424F	007666F	007666F	007666F	007424F
2342	007666F	007666F	007666F	007666F	007666F

Gas valve usage - PROPANE (Honeywell Gas Valve)**

MODEL NUMBER	RISER				
	GV1	GV1A	GV2	GV3	GV4
992	007425F	N/A	007425F	See 6-G	N/A
1262	007425F	N/A	007425F	007425F	See 6-G
1532	007425F	N/A	007425F	007425F	007425F
1802	007425F	N/A	007425F	007425F	007425F
2002*	N/A	N/A	N/A	N/A	N/A
2072	007425F	007425F	007425F	007425F	007425F
2342	007425F	007425F	007425F	007425F	007425F

* Propane is not supported on the 2002C size.

**For Units with Robertshaw gas valve use kit number 007667F in lieu of 007425F.



Registered Quality Management System

www.raypak.com