

**POOL**  
**MODEL: 055B**

CATALOG NO. 9100.201  
Effective: 09-30-11  
Replaces: 09-16-05

## RAYPAK ILLUSTRATED PARTS LIST

**MODEL SIZE: 055B**

**MODEL TYPE: WHG VERSA (PREMIUM BRONZE)**

DATE OF MANUFACTURE: 10-1-90 THROUGH CURRENT

THE PARTS LISTED ARE FOR STANDARD EQUIPMENT FOR THIS MODEL TYPE. RAYPAK RESERVES THE RIGHT TO SUBSTITUTE, DELETE OR CHANGE ANY PART WITHOUT NOTIFICATION. THE ADDITION OF OPTIONS MAY ALSO CHANGE SOME OF THE PARTS. ORDER REPLACEMENT PARTS FROM ACTUAL HEATER COMPONENTS.



FOR DETAILED INSTRUCTIONS, SEE "HOW TO USE YOUR RAYPAK ILLUSTRATED PARTS LIST",  
CATALOG NO. 9001.10



Raypak, Inc., 2151 Eastman Avenue, Oxnard, CA 93030  
(805) 278-5300 Fax (800) 872-9725  
Litho In U.S.A.

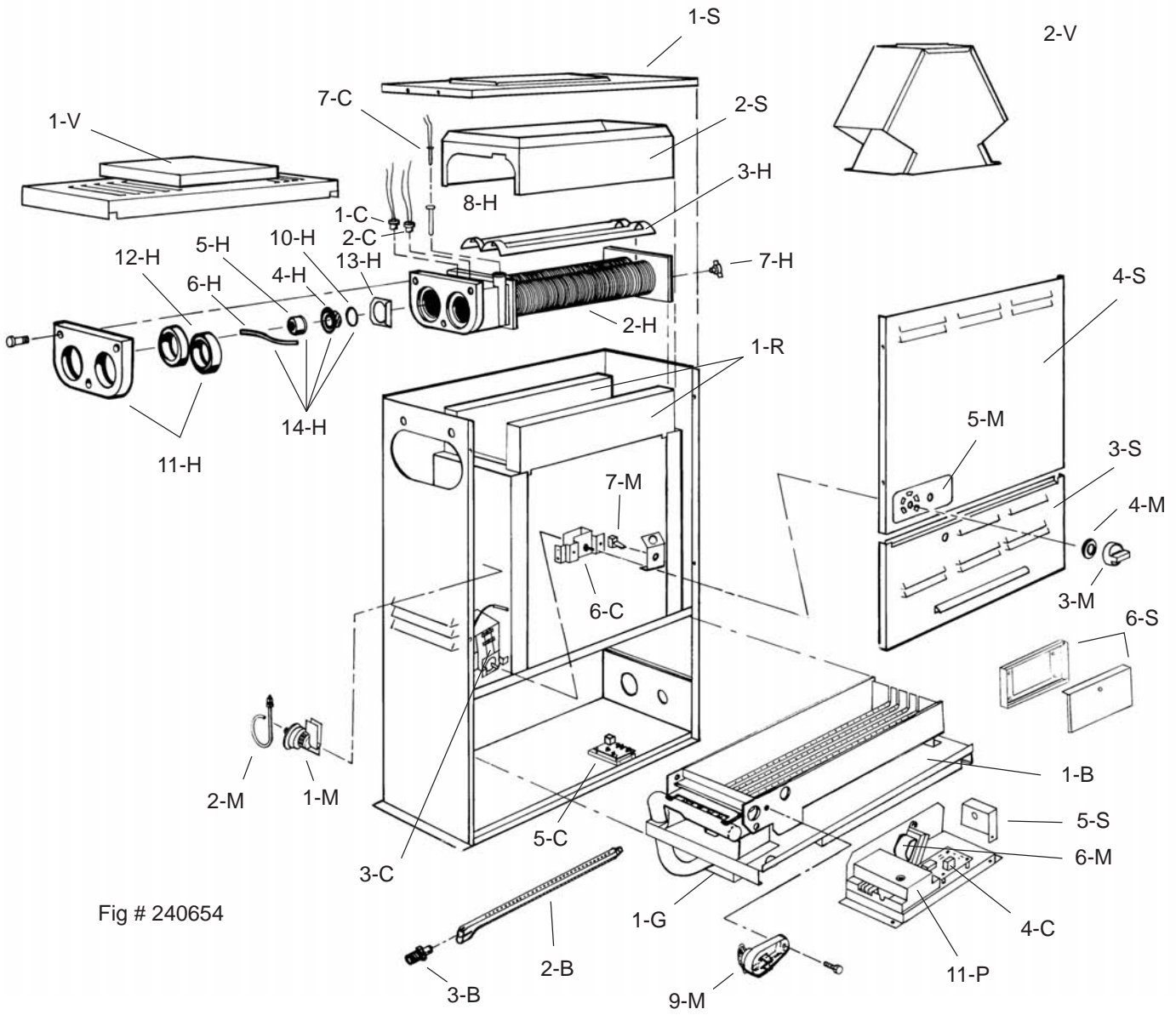


Fig # 240654

HONEYWELL MILLIVOLT PILOT

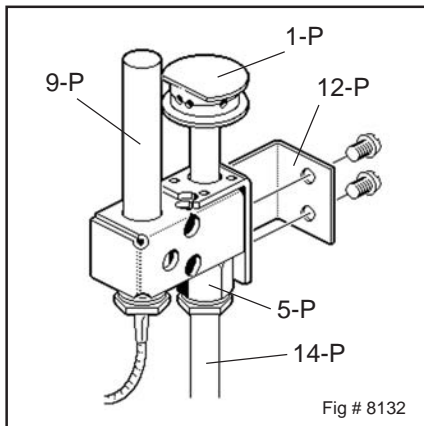


Fig # 8132

HONEYWELL IID PILOT

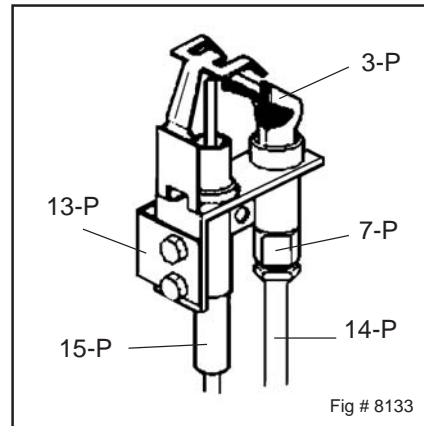


Fig # 8133

<b>CALL OUT</b>	<b>DESCRIPTION</b>	<b>PREMIUM BRONZE</b>
<b>B</b>	<b>BURNER TRAY</b>	
1-B	Burner Tray w/Burners (Sea Level)*	004688F
2-B	Burner	301210/4
3-B	Burner Orifice Nat. #52 (Sea Level)*	350081F/4
	Burner Orifice Pro. #62 (Sea Level)*	350086F/4
<b>C</b>	<b>CONTROLS</b>	
1-C	High Limit 135°F	600889B
2-C	High Limit 140°F	600890B
3-C	Thermostat Control MV (Mechanical)	003346F
8-C	Thermostat Control MV (Solid State)	005391F
5-C	PC Board	005089B
6-C	Potentiometer	005087B
7-C	Temperature Sensor	005088B
9-C	Thermostat Control IID (Solid State)	005390F
4-C	PC Board	005086B
6-C	Potentiometer	005087B
7-C	Temperature Sensor	005088B
<b>G</b>	<b>GAS VALVE</b>	
1-G	Combination Valve Nat. MV	003898F
	Combination Valve Pro. MV	003899F
	Combination Valve Nat. IID	003900F
	Combination Valve Pro. IID	004306F
<b>H</b>	<b>HEAT EXCHANGER</b>	
1-H	Heat Exchanger Assy. (Complete)	004694F
2-H	Header/Tubed Kit	004695F
3-H	Baffle Kit	004715F
14-H	U.G. Assy	002546F
4-H	Unitherm Governor	600885
5-H	U. G. Cap	400734
6-H	U. G. Spring	850247
10-H	U. G. Gasket	800276
7-H	Drain Valve	013793F
8-H	Sensor Well	007211F
9-H	Bulb Retainer clip	300203
13-H	Bypass Baffle	306079
11-H	Inlet/Outlet Flange	002432F
12-H	Flange Gasket	800013B
<b>M</b>	<b>MISCELLANEOUS COMPONENTS</b>	
1-M	Pressure Switch	062237B
2-M	Pressure Switch Tube Assy.	003543F
3-M	Thermostat Knob	006885F
4-M	Knob Stop	006886F
5-M	Dial Plate MV	900741
	Dial Plate IID	900742
6-M	Transformer (IID Unit)	006736F
7-M	Toggle Switch	650595
8-M	Wire Harness MV	004010F
	Wire Harness IID	004011F
9-M	Thermal Fuse	008126F
10-M	Touch-up Paint	
	Green	750125
	Cool Dark Gray	750256

\*For altitudes above 2,000 feet above sea level, consult the factory.

CALL OUT	DESCRIPTION	PREMIUM BRONZE
<b>P</b>	<b>PILOT</b>	
1-P	Pilot Nat. MV	600525B
	Pilot Pro. MV	600575B
3-P	Pilot Nat. IID	002003F
	Pilot Pro. IID	002003F
5-P	Pilot Orifice Nat. MV	003901F
	Pilot Orifice Pro. MV	003902F
7-P	Pilot Orifice Nat. IID	003903F
	Pilot Orifice Pro. IID	004308F
9-P	Pilot Generator MV	600019B
11-P	Ignition Control IID Nat.	004817B
	Ignition Control IID Pro.	004818B
12-P	Pilot Mounting Bracket MV	004716F
13-P	Pilot Mounting Bracket IID	004717F
	Pilot Tube	004078F
15-P	Hi Tension Wire IID	002654B
	Hi Tension Wire w/Pilot Electrode	007864F
<b>R</b>	<b>REFRACTORY</b>	
1-R	Refractory Block Kit	003544F
<b>S</b>	<b>SHEETMETAL</b>	
1-S	Jacket Top Green	002525F
	Cool Dark Gray	013898F
2-S	Flue Collector	002530F
3-S	Door Assy. Green	004689F
	Cool Dark Gray	013899F
4-S	Upper Jacket Control Panel Green	003791F
	Cool Dark Gray	013900F
5-S	Wiring Box	306094
6-S	Poolstat Lock Box Cover	006492
<b>V</b>	<b>VENTING</b>	
1-V	Stackless Top (Outdoor) Green	003709
	Cool Dark Gray	013897
2-V	Drafthood (Indoor)	003722
<b>CONVERSION KITS**</b>		
Gas Conversions		
	Nat. to Pro. MV Units	004696B
	Pro. to Nat. MV Units	004697B
	Nat. to Pro. IID Units	NA
	Pro. to Nat. IID Units	NA

**\*\* Gas Conversions are to be done only by a qualified agency.**



Registered Quality Management System

[www.raypak.com](http://www.raypak.com)