



The Pool and Spa Heating ExpertsSM



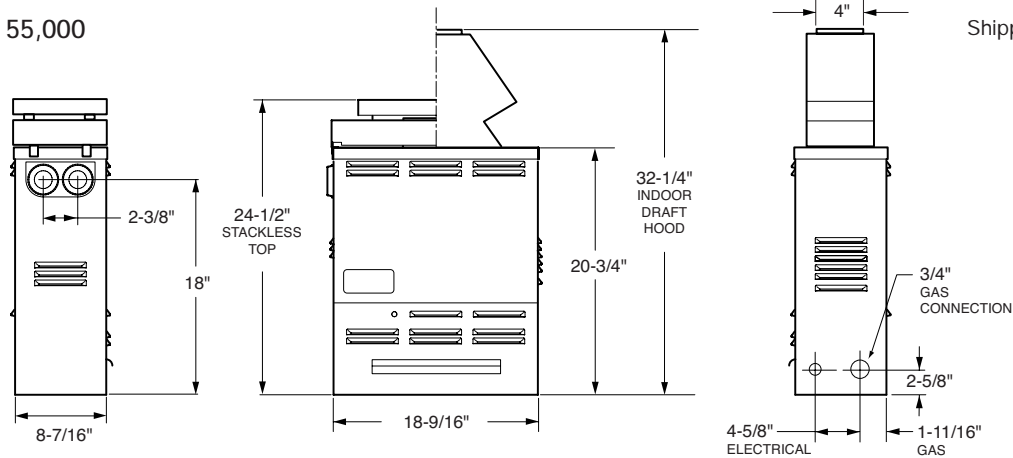
Raypak Versa 055

Spa Heater

Technical Data

Raypak Versa 055 Spa Heater

BTU INPUT 55,000



Shipping Weight 55lbs

An electronic heater using propane gas is "EP"; an electronic heater using natural gas is "EN". A Millivolt heater using propane gas is "MP"; a Millivolt heater using natural gas is "MN". Prefix "B" is for brass headers. Suffix "C" is for copper tubing.

Example: B-R055B-EN-C = Brass headers, 055 model size, electronic ignition, natural gas, copper fin tubes

Versa 055 Standard Features

All models

- **PolyTuf Textured Powder Coating**
The Raypak gas heater has a polyester-coated, non-corrosive cabinet that is more durable than solventborne- and waterborne-coated metal cabinets. Every piece of sheet metal goes through a 7-stage wash system, making certain the powder paint has a perfect bond. Underneath the tough, yet beautiful finish you will find galvanized metal that offers superior rust prevention and years of durable service.
- **Wind-Resistant Design**
No need for fans to combat drafting problems. This heater is designed to draft naturally in outdoor installations with its exclusive low-profile design. It is so thoughtfully and carefully designed it actually protects itself from the things that tend to stifle ordinary pool and spa heaters. It delivers uninterrupted heating performance regardless of falling leaves, wind, airborne debris, rain, downdrafts, updrafts, sleet, snow, etc.
- **Brass Headers**
Brass headers prevent rust stains from harming your pool or spa's surface, giving you years of trouble-free swimming pleasure.
- **All-Copper-Fin-Tube Heat Exchanger**
The fin tubes of the heat exchanger are each made from a single piece of extruded copper. This integral-fin design allows maximum heat transfer to be attained and maintained.
- **1-1/2" Water Connections**
Supplied with every Raypak 055 heater is a set of 1-1/2" flange connections to make your installation secure and effortless.
- **Burner Tray**
Every burner tray is built to last, from the stainless steel burners to the aluminized metal used in the heat sensitive areas. Innovative design allows for the easy removal of the tray and burners for servicing.
- **Fire Tile**
A ceramic fiber combustion box keeps your heater running efficiently while keeping the outside jacket cool. By using this space-age material the heater won't retain residual heat after it is turned off, allowing it to be installed without the use of costly metal heat sinks.
- **Fuel-Efficient**
Energy-smart Raypak heaters consistently achieve the highest efficiency ratings. They exceed all federal and state standards.

Electronic ignition models only

- **Electronic Ignition**
Raypak Versa heaters come standard with intermittent spark ignition pilot safety controls. What this means is that the pilot only comes on when there is a call for heat. This provides an energy-efficient way to control your heater's gas usage by eliminating the need for a continuous pilot.
- **Dual Voltage 120/240v**
The Raypak Versa electronic heater can easily be hooked up to 120/240v power. The heater comes factory wired for 240v, but can be easily converted to 120v. No other small heater offers you this much flexibility.

Millivolt models only

- **Mechanical Thermostat**
The Raypak millivolt gas heater comes with one mechanical thermostat. This control allows you to set your pool or spa temperature precisely at your favorite setting.
- **Millivolt Controls**
No power source is required for the Raypak Millivolt heater. All operating electricity is supplied by the pilot thermocouple.

Quality assurance

- **ISO 9001**
We are proud to be an ISO 9001 registered manufacturing plant. It's one more reason why Raypak is number one in the heater industry today.
- **End-of-Line Test**
Every Raypak gas pool heater is plumbed and test-fired before it is put in the carton. This ensures that your heater will work right out of the box and continue to give you years of trouble-free operation.
- **CSA-Certified**
All of Raypak's gas pool heaters are CSA-certified and are tested by CSA to the ANSI Z21.56 standard.

In keeping with its policy of continuous progress and product improvement, Raypak reserves the right to make changes without notice



Swimming Pool and Spa Heating Products

