

DIGITAL GAS

POOL AND SPA HEATER

MODERN
DESIGN AND
CONSTRUCTION

DYNAMIC
SELF-DIAGNOSTIC
CONTROLS

FEATURING
PROTEK SHIELD™

AVAILABLE AS
ATMOSPHERIC, LOW NO_x,
AND ASME

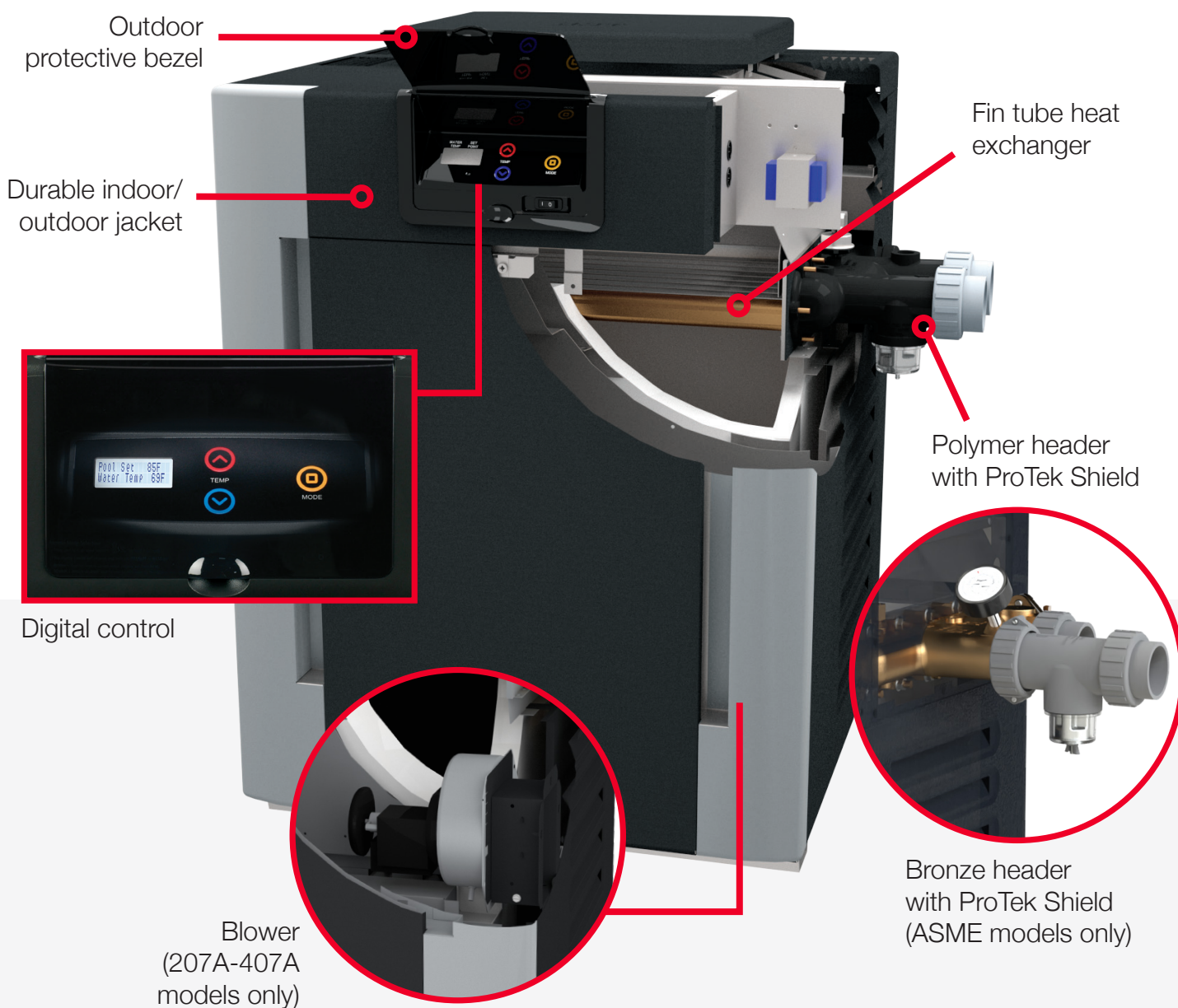


Raypak®
A Rheem® Company

RELAXATION

Soak it all in, you deserve this.

The sleek and stylish Raypak Digital Gas Pool and Spa Heater is available in Atmospheric, Low NO_x and ASME models. The Digital Gas Pool and Spa Heaters feature innovative technology designed to keep your pool or spa at the perfect temperature for your enjoyment. Built to withstand various weather conditions, this modern pool and spa heater is the perfect solution for environments requiring efficiency, convenience and versatility. Whether upgrading your existing system or adding a new pool or spa to your home, our heater offers you flexible installation solutions. Thanks to a brilliant low-profile design, corrosion resistant cabinet made of galvanized metal, copper or cupronickel fin tube heat exchanger, and a bevy of advanced-engineered materials you will be able to enjoy your heater year round.

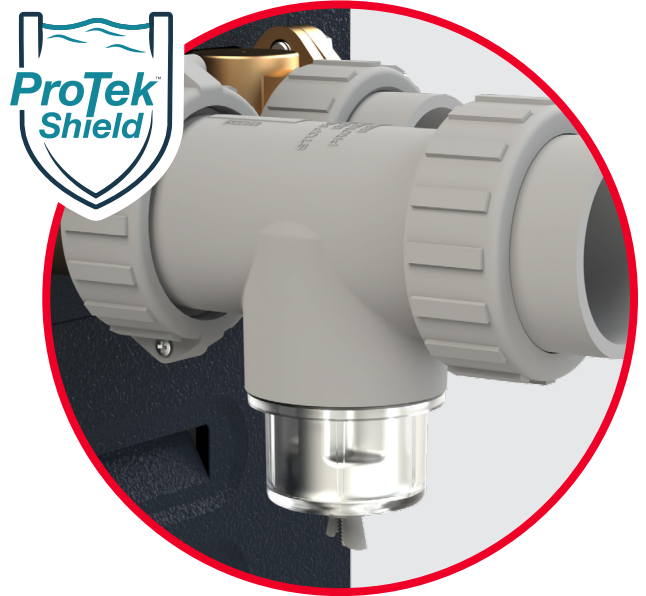


STARTS HERE.

ProTek Shield

ProTek Shield is a cutting-edge module that protects the heat exchanger and extends the life of your Raypak Digital Gas Pool and Spa Heater. Rest, soak or swim knowing that your pool heater investment can be enjoyed even longer thanks to this innovative, patent-pending technology.

- Excellent for use in chlorinated and salt water pools
- Engineered to take the brunt of the corrosion that naturally occurs over time (erosion of the ProTek Shield means it's working!)
- Utilizes breakthrough patent pending technology
- Compact design
- Easy to replace, saving you time and money
- Included on all models¹



ProTek Shield on ASME heater shown above.

More Amazing Features



Heat Exchanger

Our Digital Gas Pool and Spa Heater includes various application options based on fin tube materials including: copper and cupronickel, both available as ASME.

Bronze ASME headers provide the strength needed to meet commercial code requirements.



Low NO_x Certified

Available on our Digital Gas Pool and Spa Heater Low NO_x (207A-407A) models, the air fuel mixture is maintained by a gas valve/blower system that allows the heater to always burn clean and safe.

Bonus: Meets additional safety standards and regulations required for Texas², California and Utah.



Flexible Installation

Whether upgrading your existing system or adding a new pool or spa to your home, the Raypak Digital Gas Pool and Spa Heater offers you flexible installation solutions.

Bonus: The self-adjusting burner compensates for gas pressure fluctuations, ensuring that the heater will always burn clean and safe.



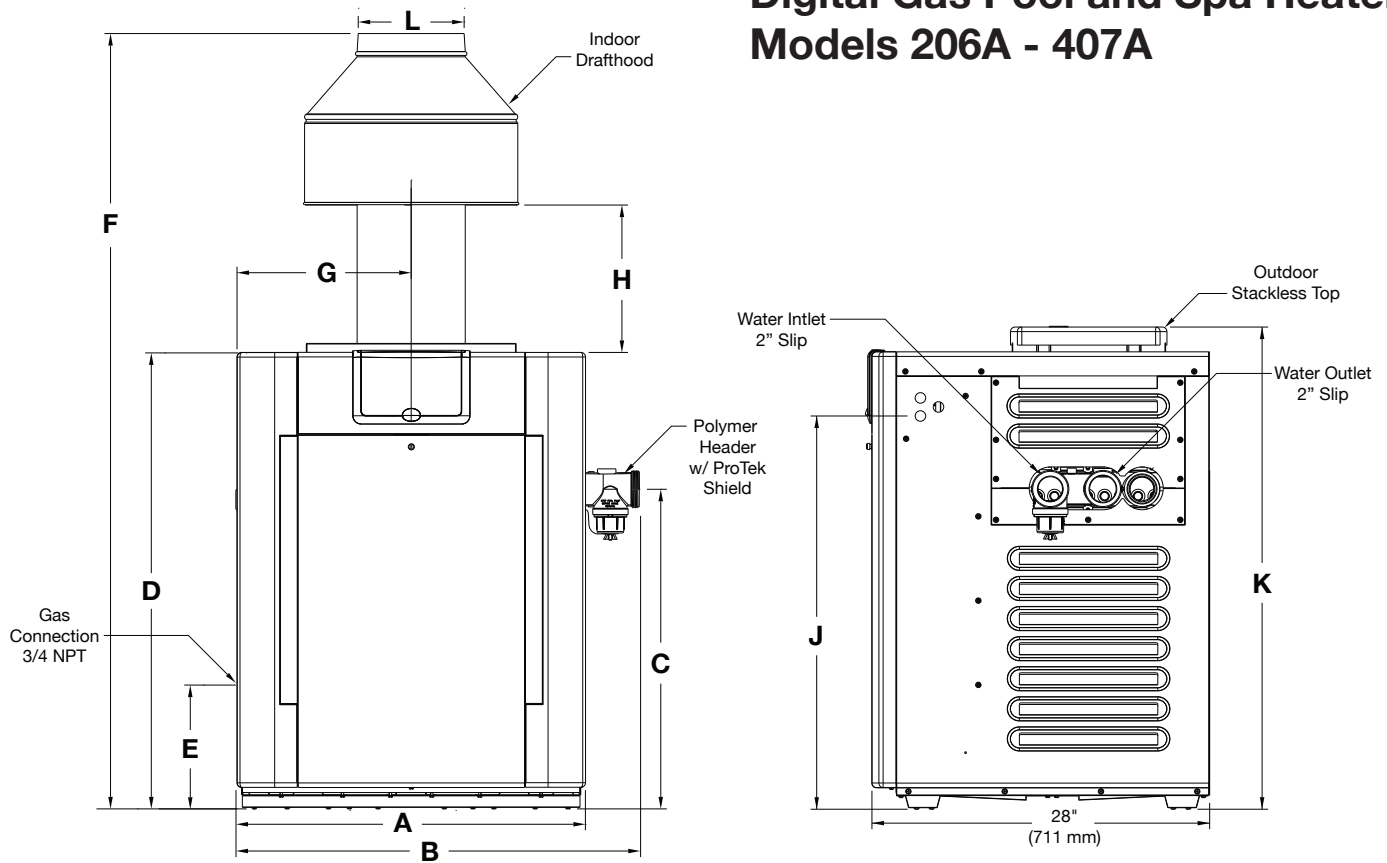
Digital Controls

Equipped with an intelligent control system that can easily be tied into an existing remote system, our heater also features a microprocessor-controlled thermostat for setting the perfect temperature for your pool or spa.

¹ ProTek Shield field installation kits available for existing ASME heaters.

² Flow switch option available for ASME Low NO_x heaters, Texas Boiler Code compliant.

Digital Gas Pool and Spa Heater Models 206A - 407A



Model	MBTUH (kWh)		Dimensions in. (mm)													Est. Ship Weight lbs. (kg)			
	Copper Input	Cupronickel Input	A Cabinet Width	B w/ Polymer Headers	B w/ Bronze Headers	C w/ Polymer Headers	C w/ Bronze Headers	D Cabinet Height	E	F	G	H	J	K	L Flue ø	w/ Polymer Headers and Stackless Top	w/ Bronze Headers and Stackless Top	Indoor Draft-hood	
Atmospheric	206A	200 (59)	180 (53)	20 (508)	24-1/4 (616)	29-7/8 (758)	26-5/8 (676)	25-15/16 (660)	38 (965)	13-1/4 (337)	61-5/8 (1565)	10 (254)	11-3/4 (298)	32-11/16 (830)	40 (1016)	6 (152)	187 (85)	206 (94)	14 (6.4)
	266A	266 (78)	240 (70)	23 (584)	27-1/4 (692)	32-7/8 (835)	26-5/8 (676)	25-15/16 (660)	38 (965)	13-1/4 (337)	62 (1575)	11-1/2 (292)	11 (279)	32-11/16 (830)	40 (1016)	7 (178)	210 (95)	229 (104)	16 (7.3)
	336A	333 (98)	300 (88)	26 (660)	30-1/4 (768)	35-7/8 (911)	26-5/8 (676)	25-15/16 (660)	38 (965)	13-1/4 (337)	63 (1600)	13 (330)	10-5/8 (270)	32-11/16 (830)	40 (1016)	8 (203)	230 (104)	249 (113)	19 (8.6)
	406A	399 (117)	360 (106)	29 (737)	33-1/4 (845)	38-7/8 (987)	26-5/8 (676)	25-15/16 (660)	38 (965)	13-1/4 (337)	64-9/16 (1640)	14-1/2 (368)	12-1/8 (308)	32-11/16 (830)	40 (1016)	9 (229)	249 (113)	268 (122)	21 (9.5)
Low NOx	207A	200 (59)	N/A	20 (508)	24-1/4 (616)	29-7/8 (758)	20-1/2 (521)	19-13/16 (503)	31-13/16 (792)	7-3/4 (197)	55-5/8 (1413)	10 (254)	11-3/4 (298)	26-1/2 (673)	34 (867)	6 (152)	174 (79)	193 (88)	14 (6.4)
	267A	266 (78)	N/A	23 (584)	27-1/4 (692)	32-7/8 (835)	20-1/2 (521)	19-13/16 (503)	31-13/16 (792)	7-3/4 (197)	56 (1422)	11-1/2 (292)	11 (279)	26-1/2 (673)	34 (867)	7 (178)	197 (89)	216 (98)	16 (7.3)
	337A	333 (98)	N/A	26 (660)	30-1/4 (768)	35-7/8 (911)	20-1/2 (521)	19-13/16 (503)	31-13/16 (792)	7-3/4 (197)	57 (1448)	13 (330)	10-5/8 (270)	26-1/2 (673)	34 (867)	8 (203)	219 (99)	238 (108)	19 (8.6)
	407A	399 (117)	N/A	29 (737)	33-1/4 (845)	38-7/8 (987)	20-1/2 (521)	19-13/16 (503)	31-13/16 (792)	7-3/4 (197)	58-1/2 (1486)	14-1/2 (368)	12-1/2 (318)	26-1/2 (673)	34 (867)	9 (229)	237 (108)	256 (116)	21 (9.5)

¹ Single phase, 60 Hz.

Models	Amp Draw ¹	
	120VAC	240VAC
206A-406A	4	2
207A-407A	6	3



www.raypak.com

2151 Eastman Avenue | Oxnard, CA 93030 | 805-278-5300

Litho in U.S.A. ©2020 Raypak, Inc. 6000.75 Effective 11-01-20 Replaces NEW