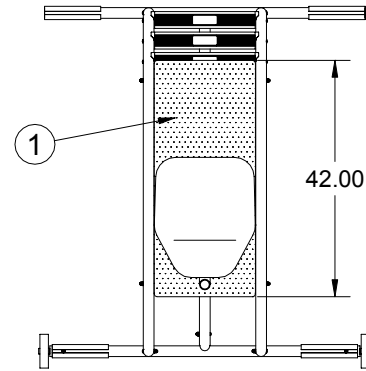
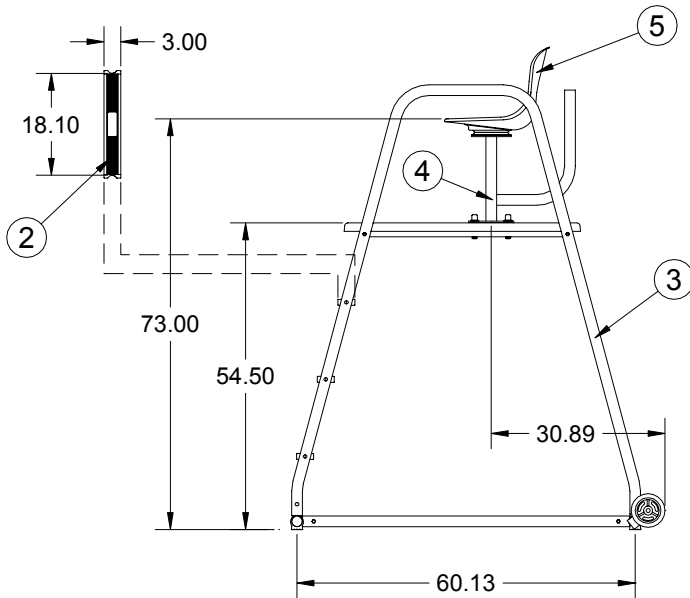


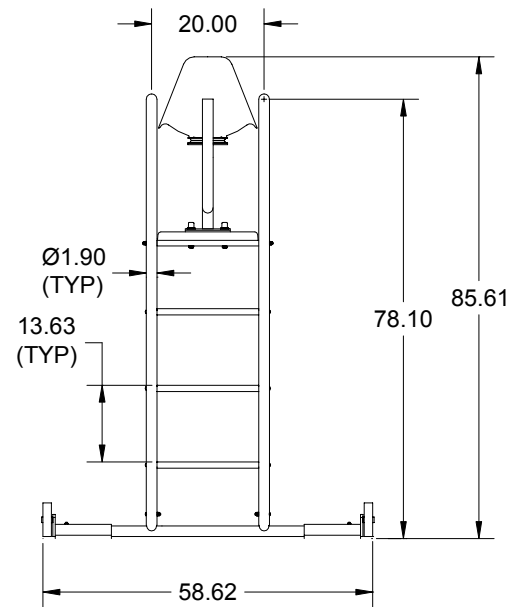
**PORTABLE LIFEGUARD STAND**



TOP VIEW



SIDE VIEW



BACK VIEW

Specification Number:	<b>SRS-102</b>		
Product Description:	<b>Portable Lifeguard Stand</b>		
S.R. Smith Part Number:	<b>PLS-204</b>	Scale:	NTS
Revision:	A	Date:	05/07/03
Written By:	T. Weil	Date:	05/07/03
Approved By:	B. Bisceglia	Date:	05/08/03
Page 1 of 2	Proprietary and confidential: The information contained in this specification is the sole property of S.R. Smith LLC. Any reproduction in part or whole without the written consent of S.R. Smith LLC is prohibited.		

**S.R. Smith, LLC**  
P.O. Box 400, 1017 SW Berg Parkway  
Canby, Oregon 97013  
Tel: (888) 677-7776 (503) 266-2231  
Fax: (503) 266-4334  
[www.srsmith.com](http://www.srsmith.com)



# S.R. Smith LLC Commercial Division

## Product Specifications - Written

**Product Name:** Portable Lifeguard Stand

**Part Number:** PLS-204

**General Notes:**

The **Portable Lifeguard Stand** has an extended observation platform (footboard) and umbrella support intended for use at temporary, semi-permanent and permanent sites.

**Application:**

Depending upon installation design, local codes, and site requirements, this model is suitable for use on both commercial and competition pools. In addition, these stands are well suited for use as judging and observation stands on tennis courts and other sporting sites, especially those where permanent installation is not required.

**Specifications:**

- 1 **Footboard:** The observation platform (footboard) of the Portable Lifeguard Stand measures 1-5/8" x 18 x 42 (41.4mm x 457.2 x 1066.8) and is a solid laminated fir core covered with fiberglass reinforced acrylic.
- 2 **Steps:** Three (3) steps are mounted to the frame. The steps are constructed of polished 304 stainless steel with nominal dimensions of 3" x 20 (76.2mm x 508). The step frames have replaceable, black, non-skid tread inserts.
- 3 **Frame:** The uprights of the stand mount to three polished 1.90" O.D. x .065" wall (48.25mm x 1.65) type 304 stainless steel tubes which have been welded together to form a base. The front and rear sections are fitted with a total of four (4) 10" (254mm) long Fulcrum Covers, which add stability and absorb shock. The rear base section is fitted with wheels on either side to facilitate movement of the stand. The uprights of the stand are constructed of 1.90" O.D. x .065" wall (48.25mm x 1.65) type 304 stainless steel with bends formed on 6" (152.4mm) radii.
- 4 **Swivel Stand w/ Umbrella Holder:** The base column of the swivel stand assembly is constructed of 1.90" O.D. x .065" wall (48.25mm x 1.65) type 304 stainless steel. At the lower end of the column is affixed a .25" (6.4mm) stainless steel plate which serves as a mounting flange. This flange is attached in tandem with the observation platform (footboard) to the platform supports. A 1.90" O.D. x .065 wall (48.25mm x 1.65) type 304 stainless steel tube is bent and affixed to the rear of the seat base column and serves as an umbrella holder.
- 5 **Seat w/ Swivel:** A special swivel mechanism is attached to the upper end of the swivel stand base column to allow for an approximate 45° rotation of the contoured, low-side fiberglass seat.

**Additional Product Numbers:** N/A

**Shipping Weight:** 150 lbs (68.0kg)

Specification Number:	SRS-102		<b>S.R. Smith, LLC</b> P.O. Box 400, 1017 SW Berg Parkway Canby, Oregon 97013 Tel: (888) 677-7776 (503) 266-2231 Fax: (503) 266-4334 www.srsmith.com
Product Description:	Portable Lifeguard Stand		
S.R. Smith Part Number:	PLS-204		
Revision:	A	Date: 05/07/03	
Written By:	T. Weil	Date: 05/07/03	
Approved By:	B. Bisceglia	Date: 05/08/03	
Page 2 of 2	Proprietary and confidential: The information contained in this specification is the sole property of S.R. Smith LLC. Any reproduction in part or whole without the written consent of S.R. Smith LLC is prohibited.		