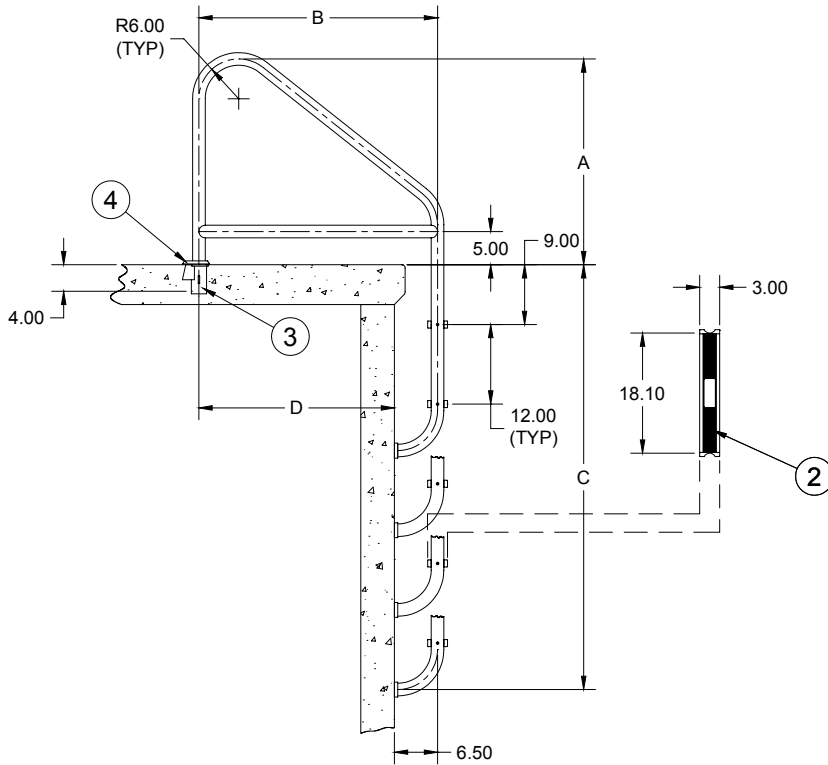
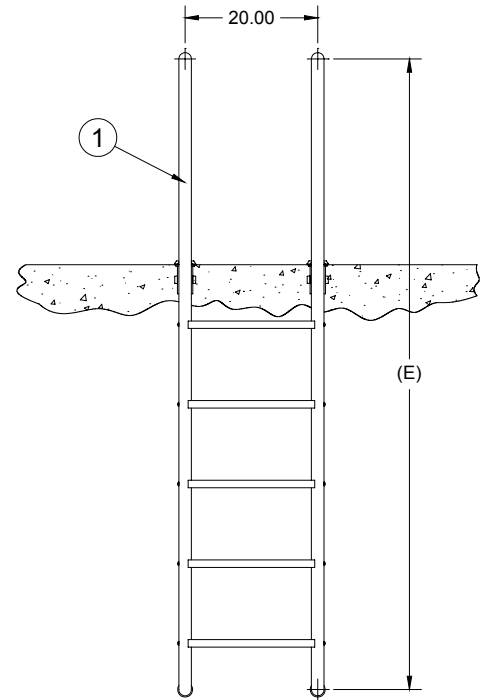


Cross Brace Commercial Ladder



SIDE VIEW



FRONT VIEW

MODEL NUMBER	A	B	C	D	(E)
LFB-24-2A, LFB-24-2A-MG (Marine Grade)	26.00	24.00	28.00	17.50	54.00
LFB-24-3B, LFB-24-3B-MG	26.00	24.00	40.00	17.50	66.00
LFB-24-4C, LFB-24-4C-MG	26.00	24.00	52.00	17.50	78.00
LFB-24-5D, LFB-24-5D-MG	26.00	24.00	64.00	17.50	90.00
LFB-30-2A, LFB-30-2A-MG	26.00	30.00	28.00	23.50	54.00
LFB-30-3B, LFB-30-3B-MG	26.00	30.00	40.00	23.50	66.00
LFB-30-4C, LFB-30-4C-MG	26.00	30.00	52.00	23.50	78.00
LFB-30-5D, LFB-30-5D-MG	26.00	30.00	64.00	23.50	90.00
LFB-36-2A, LFB-36-2A-MG	31.00	36.00	28.00	29.50	59.00
LFB-36-3B, LFB-36-3B-MG	31.00	36.00	40.00	29.50	71.00
LFB-36-4C, LFB-36-4C-MG	31.00	36.00	52.00	29.50	83.00
LFB-36-5D, LFB-36-5D-MG	31.00	36.00	64.00	29.50	95.00

Specification Number:	SRS-501	
Product Description:	Cross Brace Commercial Ladder	
S.R. Smith Part Number:	LFB-24-2A to LFB-36-5D-MG	Scale: NTS
Revision:	A	Date: 05/21/03
Written By:	T. Weil	Date: 05/21/03
Approved By:	B. Bisceglia	Date: 05/23/03
Page 1 of 2	Proprietary and confidential: The information contained in this specification is the sole property of S.R. Smith LLC. Any reproduction in part or whole without the written consent of S.R. Smith LLC is prohibited.	

S.R. Smith, LLC
P.O. Box 400, 1017 SW Berg Parkway
Canby, Oregon 97013
Tel: (888) 677-7776 (503) 266-2231
Fax: (503) 266-4334
www.srsmith.com



S.R. Smith LLC Commercial Division

Product Specifications - Written

Product Name: Cross Brace Commercial Ladder

Part Number: LFB-24-2A to LFB-36-5D-MG

General Notes:

The **Cross Brace Commercial Ladder** series are moderate height ladders with moderate to long reach. The frames and steps are polished type 304 stainless steel. The ladder is available in 2, 3, 4, or 5 steps.

Application:

With proper anchoring, the Cross Brace Ladder is suitable for use on poured concrete, shotcrete, fiberglass, and vinyl commercial pools and spas where a cross brace ladder is required as well as for other applications in most geographic areas.

Specifications:

- 1 **Frame:** The frames are made of 1.9" O.D. x .065 (48.3mm x 1.65) type 304 stainless steel and all bends are a nominal 6" (152.4mm) radius. The lower ends of the frames are bent to meet the pool wall and are fitted with white rubber bumpers. The cross brace is continuously welded to the front and rear legs by a tungsten inert gas process.
- 2 **Steps:** The steps are constructed of polished 304 stainless steel with nominal dimensions of 3" x 20 (76.2mm x 508). The step frames have replaceable, black, non-skid tread inserts.
- 3 **Escutcheon (Optional)** (p/n IEP-100): This recommended oblong escutcheon plate is 4" (101.6mm) in length and is made of chrome plated cast brass. The escutcheon includes a tamper resistant, stainless steel set screw. Alternative escutcheons include p/n EP-100A or EP-100F.
- 4 **Anchor Assembly** (p/n IAS-100, see spec sheet for SRS-913): These recommended anchor sockets are bronze castings. They are intended for heavy-duty commercial use and secure fixtures by means of a wedge assembly. The anchor comes with a brass 1/4-20 UNC grounding screw for bonding. Alternative anchor assemblies include p/n AS-100B (see spec sheet for SRS-908).

Additional Product Numbers and Shipping Weight:

MODEL NUMBER	DESCRIPTION	SHIPPING WEIGHT
LFB-24-2A	24 Inch 2-Step Ladder	35 lbs. (15.9kg)
LFB-24-3B	24 Inch 3-Step Ladder	38 lbs. (17.2kg)
LFB-24-4C	24 Inch 4-Step Ladder	43 lbs. (19.5kg)
LFB-24-5D	24 Inch 5-Step Ladder	48 lbs. (21.8kg)
LFB-30-2A	30 Inch 2-Step Ladder	40 lbs. (18.1kg)
LFB-30-3B	30 Inch 3-Step Ladder	45 lbs. (20.4kg)
LFB-30-4C	30 Inch 4-Step Ladder	50 lbs. (22.7kg)
LFB-30-5D	30 Inch 5-Step Ladder	55 lbs. (24.9kg)
LFB-36-2A	36 Inch 2-Step Ladder	45 lbs. (20.4kg)
LFB-36-3B	36 Inch 3-Step Ladder	50 lbs. (22.7kg)
LFB-36-4C	36 Inch 4-Step Ladder	55 lbs. (24.9kg)
LFB-36-5D	36 Inch 5-Step Ladder	60 lbs. (27.2kg)
LFB-24-2A-MG	24 Inch Marine Grade 316 Stainless Steel 2-Step Ladder	35 lbs. (15.9kg)
LFB-24-3B-MG	24 Inch Marine Grade 316 Stainless Steel 3-Step Ladder	38 lbs. (17.2kg)
LFB-24-4C-MG	24 Inch Marine Grade 316 Stainless Steel 4-Step Ladder	43 lbs. (19.5kg)
LFB-24-5D-MG	24 Inch Marine Grade 316 Stainless Steel 5-Step Ladder	48 lbs. (21.8kg)
LFB-30-2A-MG	30 Inch Marine Grade 316 Stainless Steel 2-Step Ladder	40 lbs. (18.1kg)
LFB-30-3B-MG	30 Inch Marine Grade 316 Stainless Steel 3-Step Ladder	45 lbs. (20.4kg)
LFB-30-4C-MG	30 Inch Marine Grade 316 Stainless Steel 4-Step Ladder	50 lbs. (22.7kg)
LFB-30-5D-MG	30 Inch Marine Grade 316 Stainless Steel 5-Step Ladder	55 lbs. (24.9kg)
LFB-36-2A-MG	36 Inch Marine Grade 316 Stainless Steel 2-Step Ladder	45 lbs. (20.4kg)
LFB-36-3B-MG	36 Inch Marine Grade 316 Stainless Steel 3-Step Ladder	50 lbs. (22.7kg)
LFB-36-4C-MG	36 Inch Marine Grade 316 Stainless Steel 4-Step Ladder	55 lbs. (24.9kg)
LFB-36-5D-MG	36 Inch Marine Grade 316 Stainless Steel 5-Step Ladder	60 lbs. (27.2kg)

Specification Number:	SRS-501	
Product Description:	Cross Brace Commercial Ladder	
S.R. Smith Part Number:	LFB-24-2A to LFB-36-5D-MG	
Revision:	A	Date: 05/21/03
Written By:	T. Weil	Date: 05/21/03
Approved By:	B. Bisceglia	Date: 05/23/03
Page 2 of 2	Proprietary and confidential: The information contained in this specification is the sole property of S.R. Smith LLC. Any reproduction in part or whole without the written consent of S.R. Smith LLC is prohibited.	

S.R. Smith, LLC
P.O. Box 400, 1017 SW Berg Parkway
Canby, Oregon 97013
Tel: (888) 677-7776 (503) 266-2231
Fax: (503) 266-4334
www.srsmith.com